

US00D561020S

(12) **United States Design Patent**
Kessell et al.

(10) **Patent No.:** **US D561,020 S**
(45) **Date of Patent:** **** Feb. 5, 2008**

(54) **CONTAINER**

(75) Inventors: **Michael Ross Kessell**, Auckland (NZ);
Charles Graeme Murray, Auckland
(NZ)

(73) Assignee: **Tarvis Technology Limited**, Auckland
(NZ)

(**) Term: **14 Years**

(21) Appl. No.: **29/254,385**

(22) Filed: **Feb. 23, 2006**

(30) **Foreign Application Priority Data**

Aug. 23, 2005 (NZ) 406515

(51) **LOC (8) Cl.** **09-03**

(52) **U.S. Cl.** **D9/425**

(58) **Field of Classification Search** D9/414-432,
D9/748-762, 449, 456; D7/601-602, 629;
206/484-484.2, 518, 557, 459.1, 524.3; 220/287,
220/556, 241-2, 780-1, 350
See application file for complete search history.

(56) **References Cited**

U.S. PATENT DOCUMENTS

D197,584 S * 2/1964 Nascher et al. D9/425
D227,083 S * 6/1973 Anderson et al. D9/416
D275,886 S * 10/1984 Sheward et al. D24/227

D341,461 S * 11/1993 Davidson et al. D3/312
D352,454 S * 11/1994 Krupa D9/425
D392,881 S * 3/1998 Bulcher et al. D9/425
D441,611 S * 5/2001 Hudson et al. D7/538
D443,509 S * 6/2001 Nantel D9/425
D513,383 S * 1/2006 Glander et al. D9/435

* cited by examiner

Primary Examiner—Stella M. Reid

Assistant Examiner—Susan E Krakower

(74) *Attorney, Agent, or Firm*—Jacobson Holman PLLC

(57) **CLAIM**

We claim the ornamental design for a container, as shown and described.

DESCRIPTION

FIG. 1 is a front perspective view of a container showing our new design;

FIG. 2 is a bottom perspective view thereof;

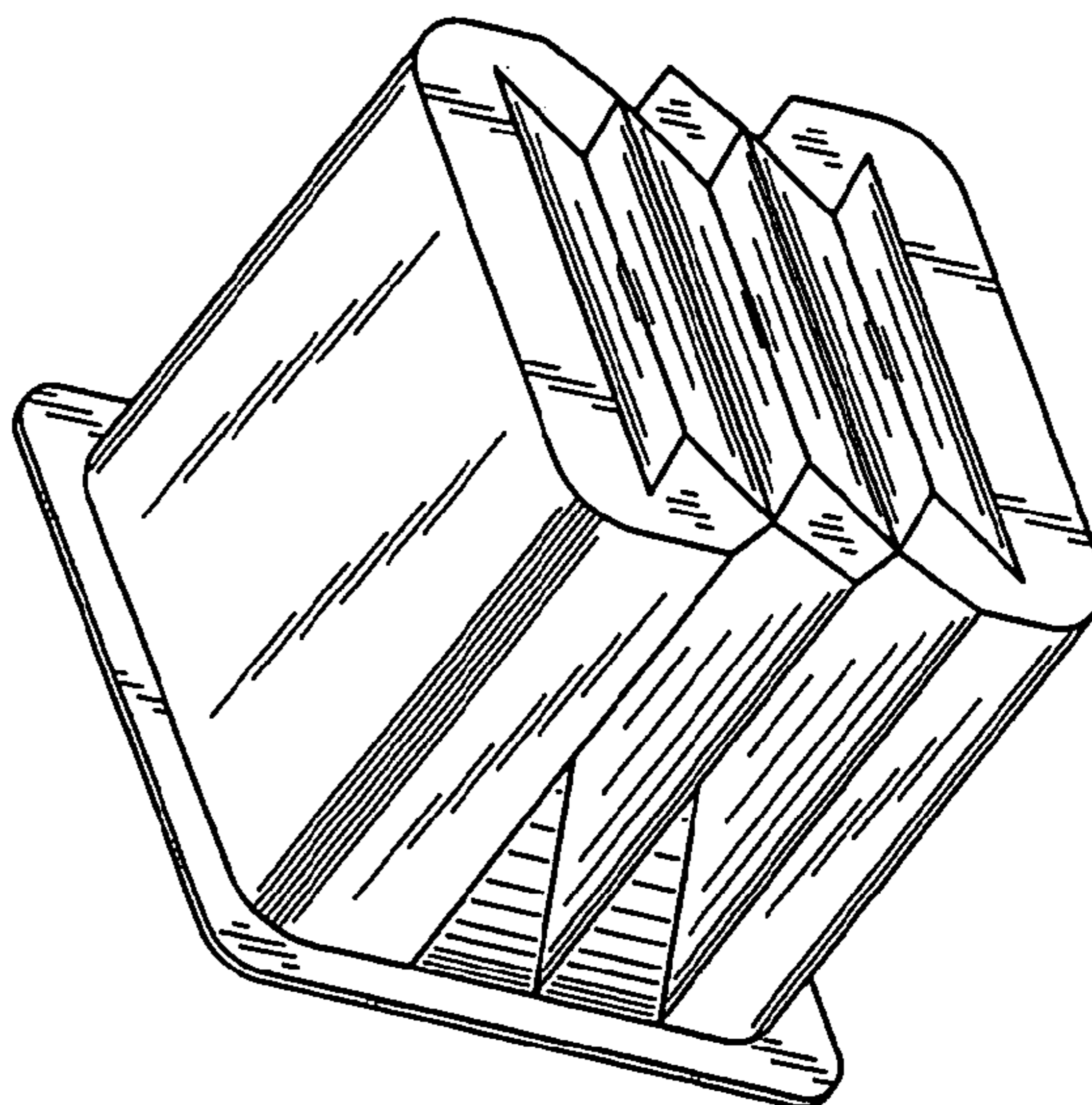
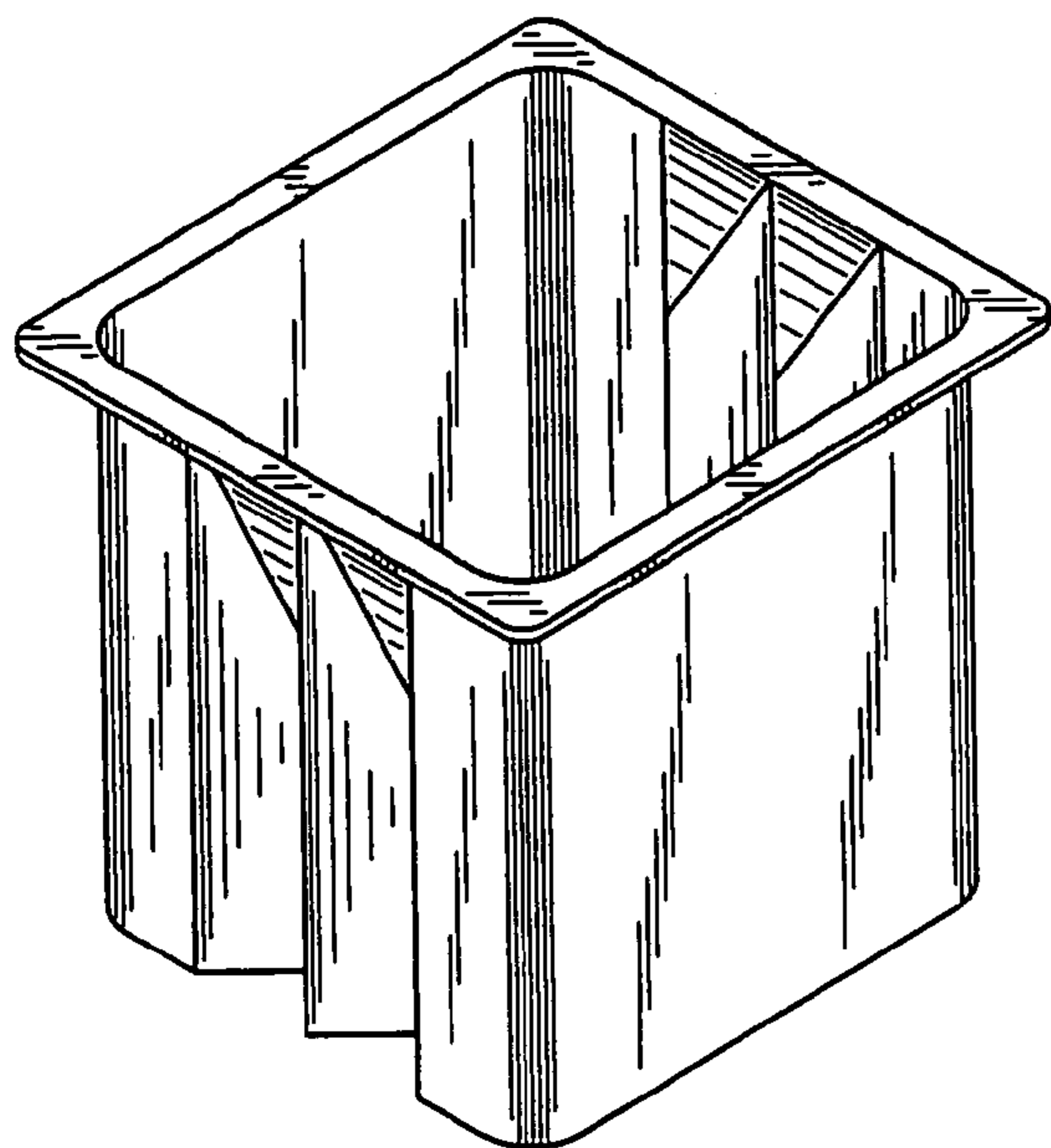
FIG. 3 is a bottom plan view thereof;

FIG. 4 is the top plan view thereof;

FIG. 5 is a side elevational view, the opposite side elevational view being a mirror image thereof; and,

FIG. 6 is an end elevational view, the opposite elevational view being a mirror image thereof.

1 Claim, 2 Drawing Sheets



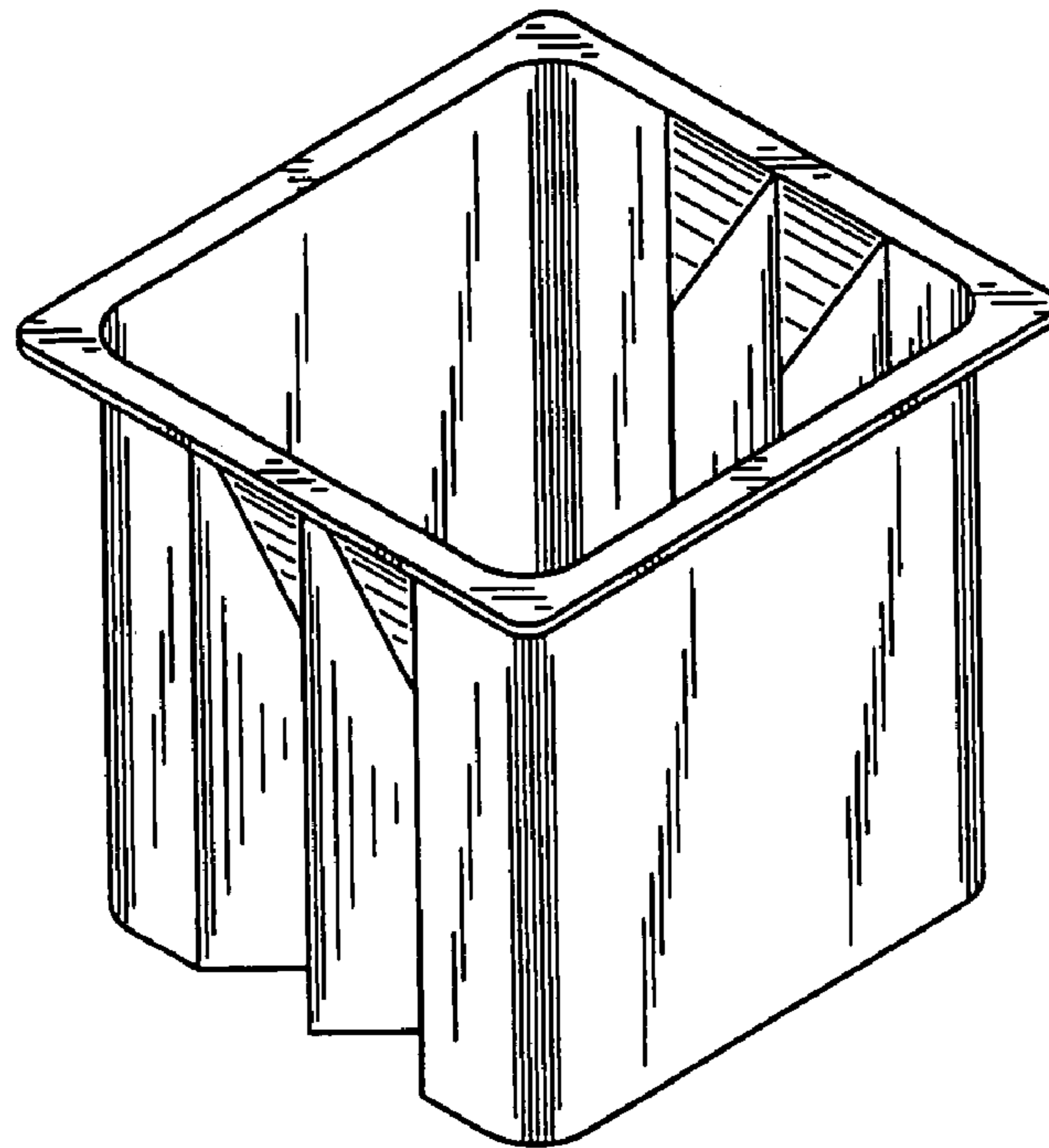


FIG. 1

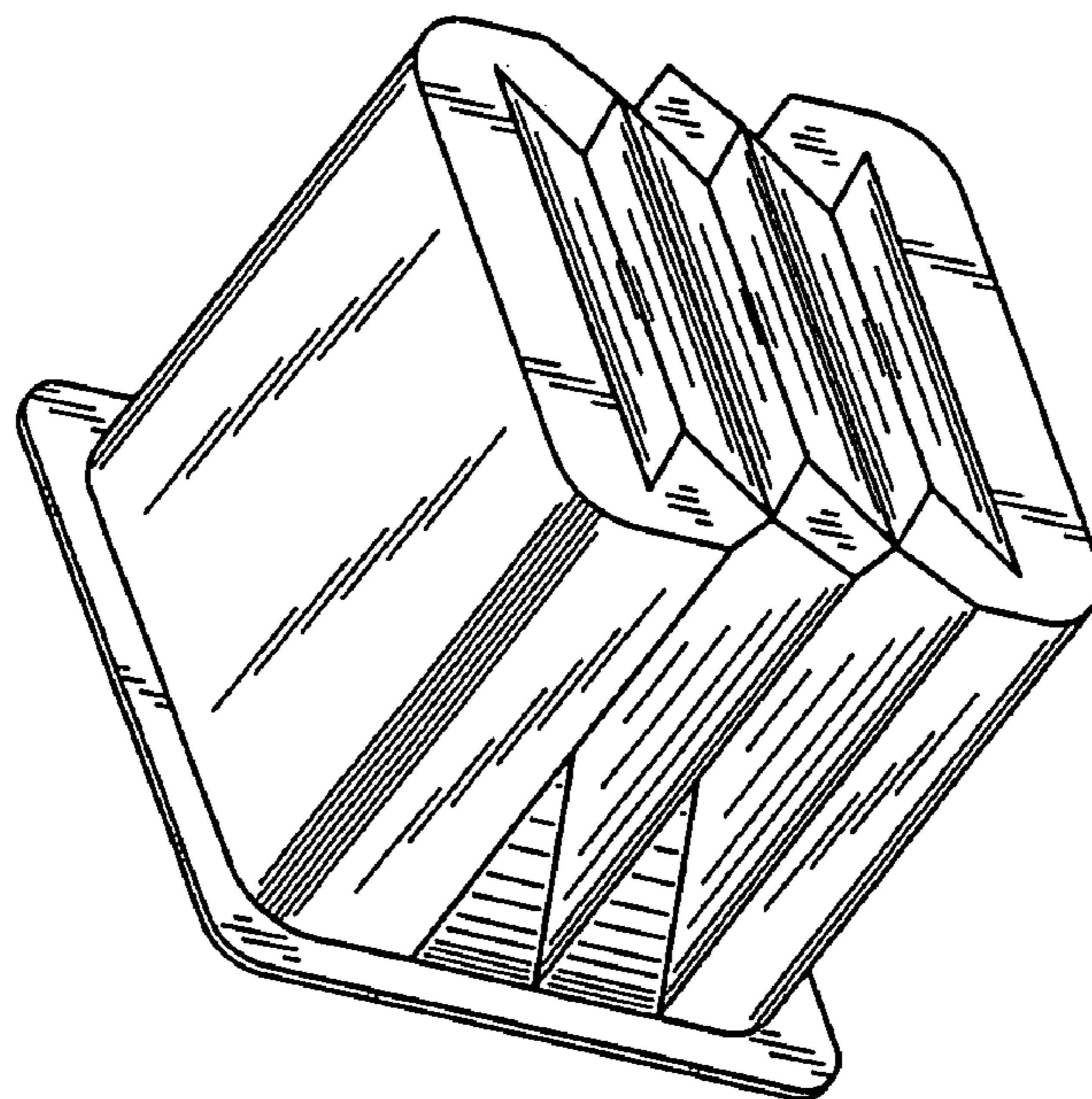


FIG. 2

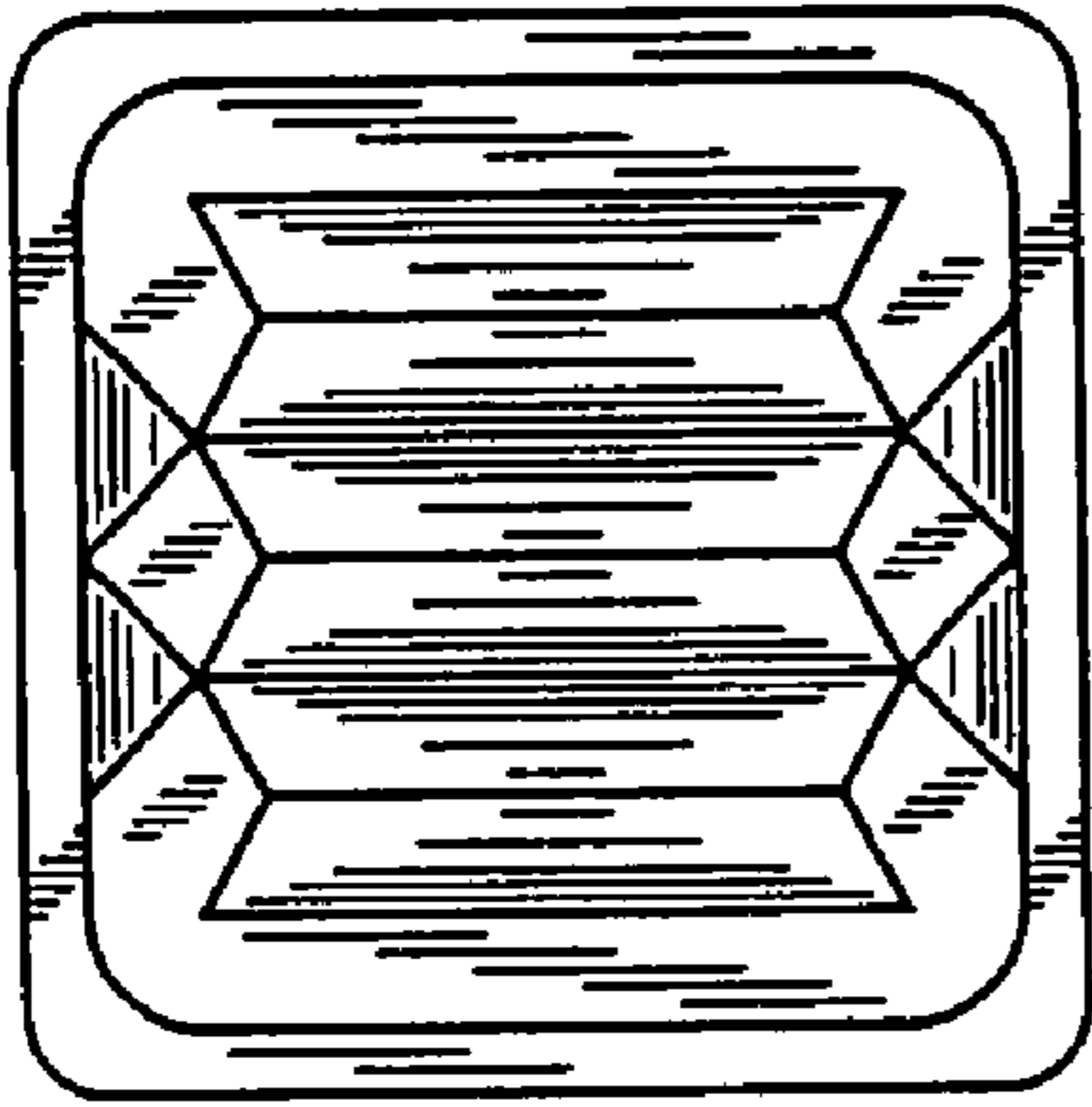


FIG. 3

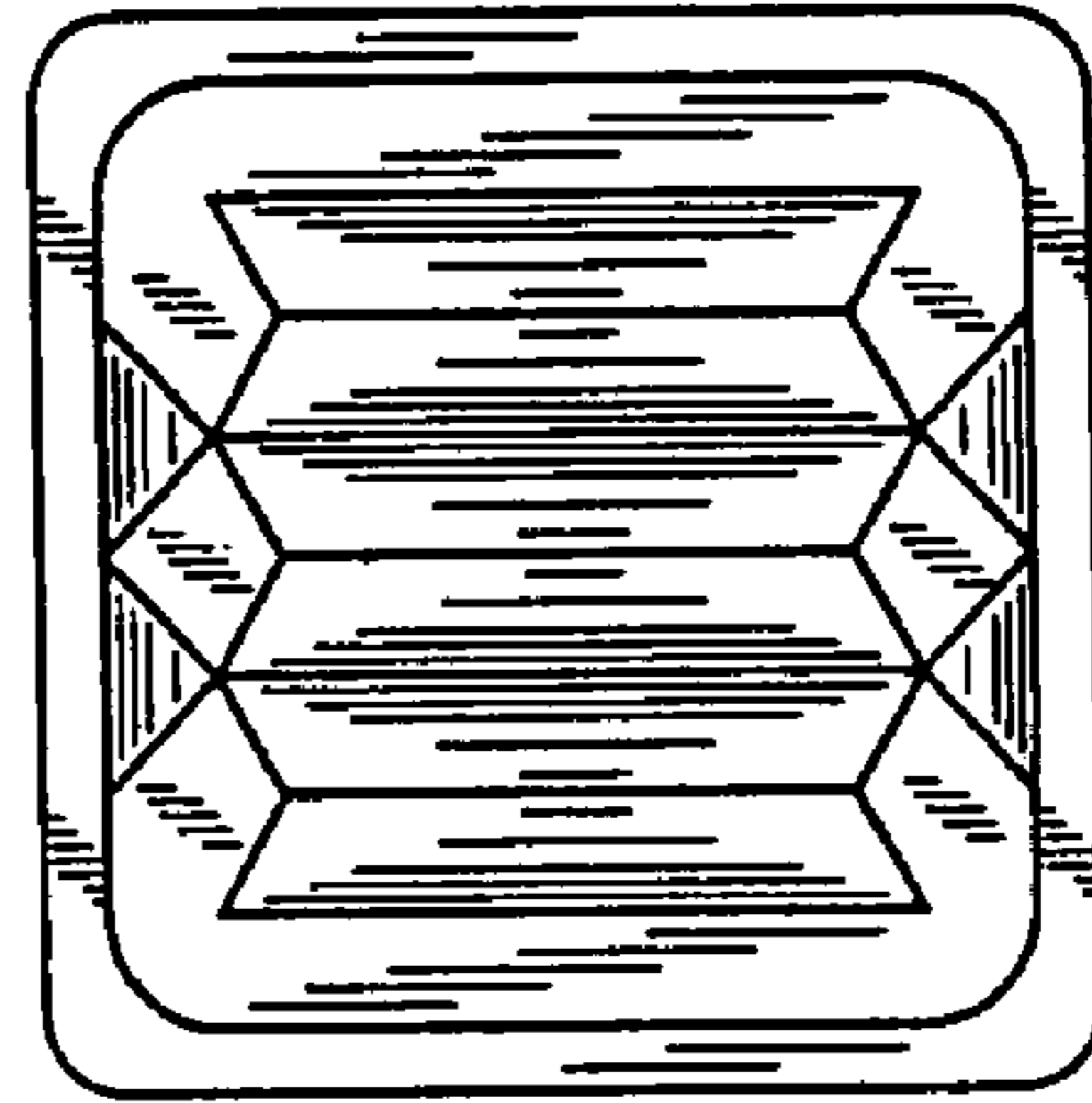


FIG. 4

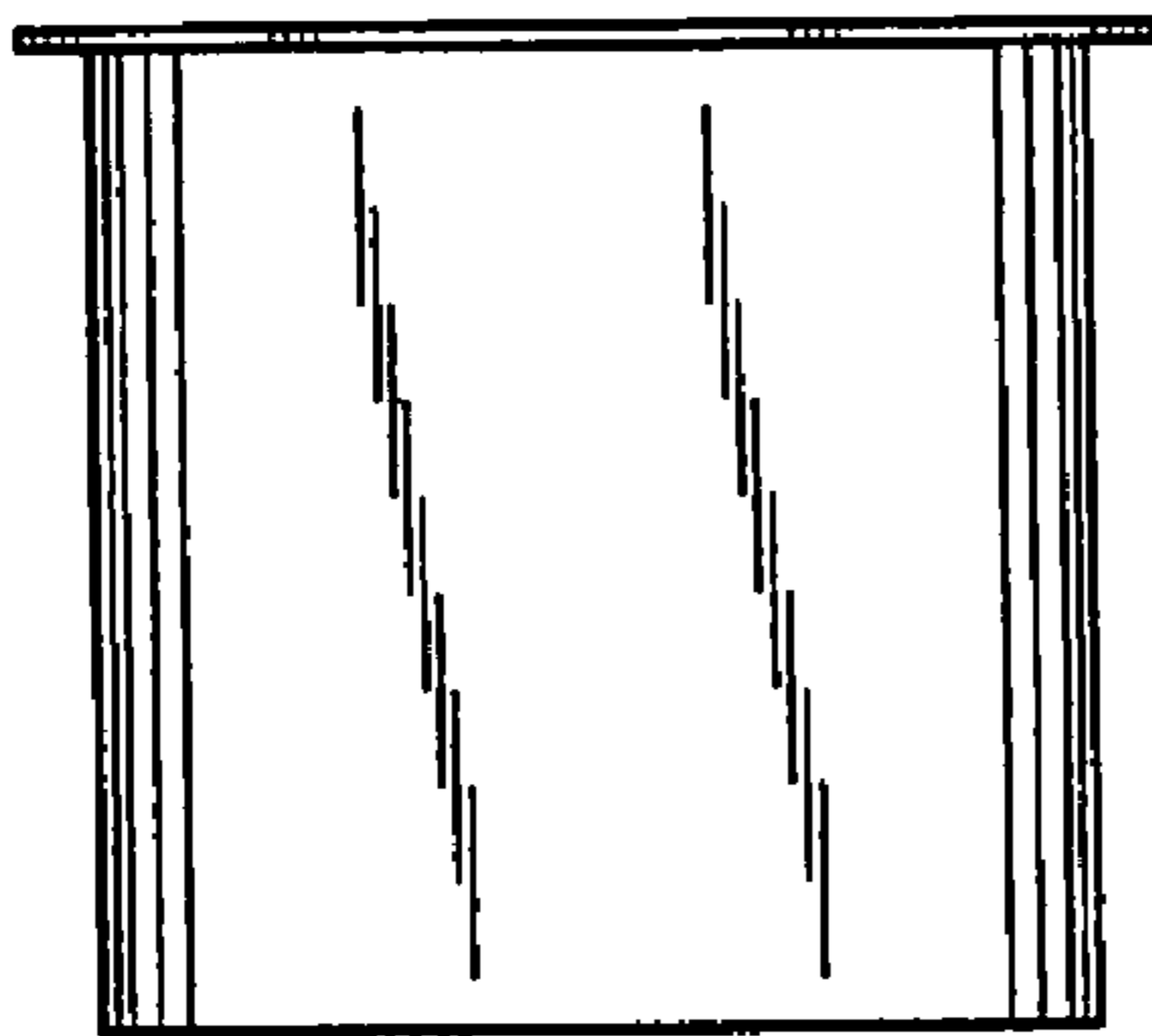


FIG. 5

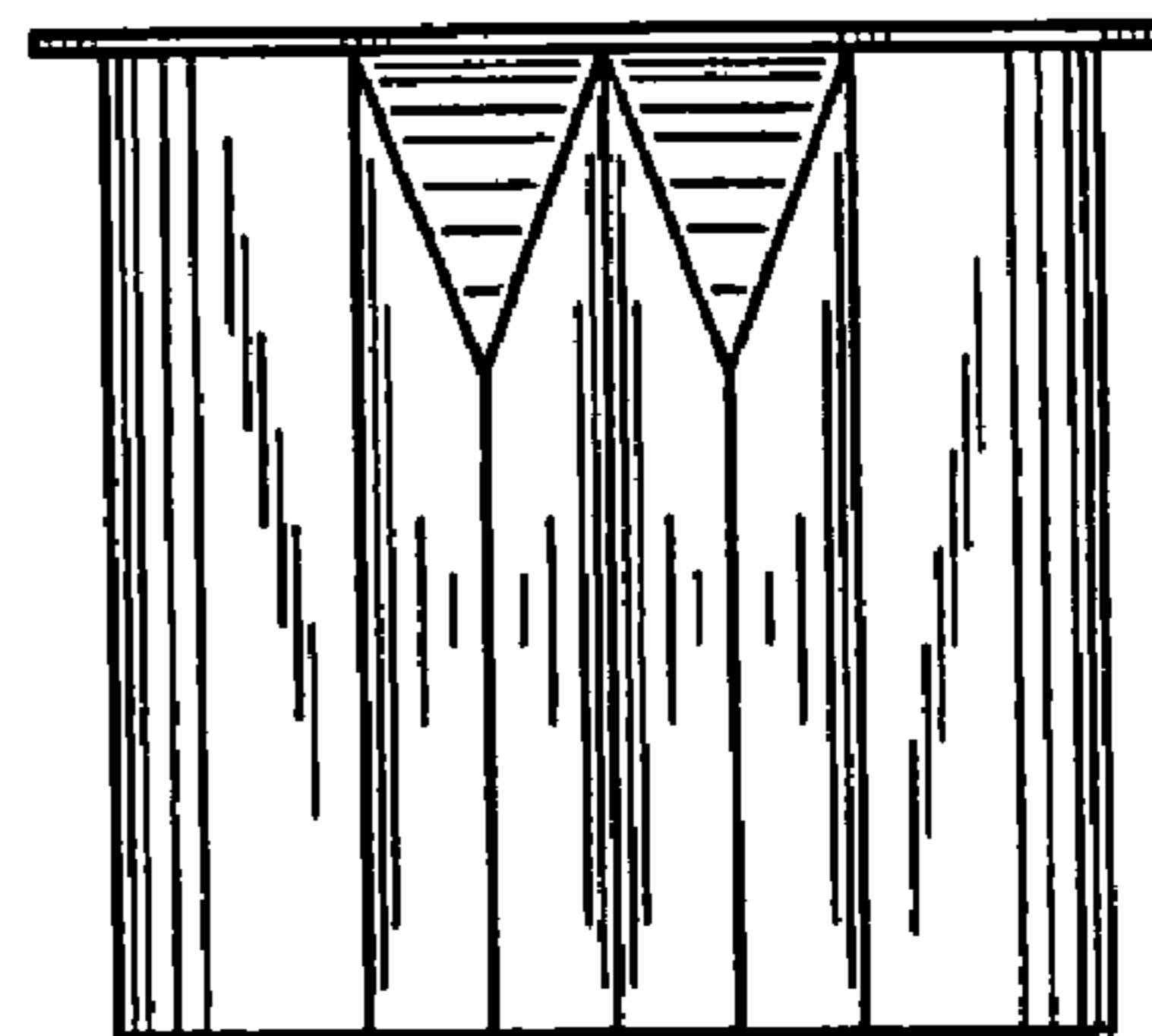


FIG. 6