



US00D561019S

(12) **United States Design Patent**
Riedel et al.

(10) **Patent No.:** **US D561,019 S**
(45) **Date of Patent:** **** Feb. 5, 2008**

(54) **THREADED NUT**

4,737,058 A * 4/1988 Callman et al. 411/120
D328,942 S 8/1992 Igami et al.

(75) Inventors: **Richard Paul Riedel**, Mason, OH
(US); **Jason Alan Born**, Loveland, OH
(US)

(Continued)

FOREIGN PATENT DOCUMENTS

(73) Assignee: **Pur Water Purification Products, Inc.**,
Cincinnati, OH (US)

AU 9852043 A 7/1998

(Continued)

(**) Term: **14 Years**

Primary Examiner—T. Chase Nelson

Assistant Examiner—Karen Acker

(21) Appl. No.: **29/260,906**

(74) *Attorney, Agent, or Firm*—Kelly L. McDow; Andrew
A. Paul

(22) Filed: **Jun. 2, 2006**

(57) **CLAIM**

(51) **LOC (8) Cl.** **08-08**

The ornamental design for a threaded nut, as shown and
described.

(52) **U.S. Cl.** **D8/397**

(58) **Field of Classification Search** D8/382,
D8/387, 397, 398, 399; 411/81, 88, 90–93,
411/96–98, 103, 114, 106–108, 132–165,
411/172–189, 197, 204, 248, 337, 338, 366.1,
411/366.2, 366.3, 368–369, 371.2, 371.5,
411/418, 427, 429–432, 436, 437, 526, 531–538,
411/542, 544; 70/229; 301/35.623, 111.01;
D23/260

DESCRIPTION

See application file for complete search history.

FIG. 1 is a perspective view of a threaded nut illustrating our
new design;

FIG. 2 is a top planar view of the design of FIG. 1;

FIG. 3 is a bottom planar view of the design of FIG. 1;

FIG. 4 is a left side elevational view of the design of FIG.
1;

FIG. 5 is a right side elevational view of the design of FIG.
1;

FIG. 6 is a front side elevational view of the design of FIG.
1; and,

FIG. 7 is a back side elevational view of the design of FIG.
1.

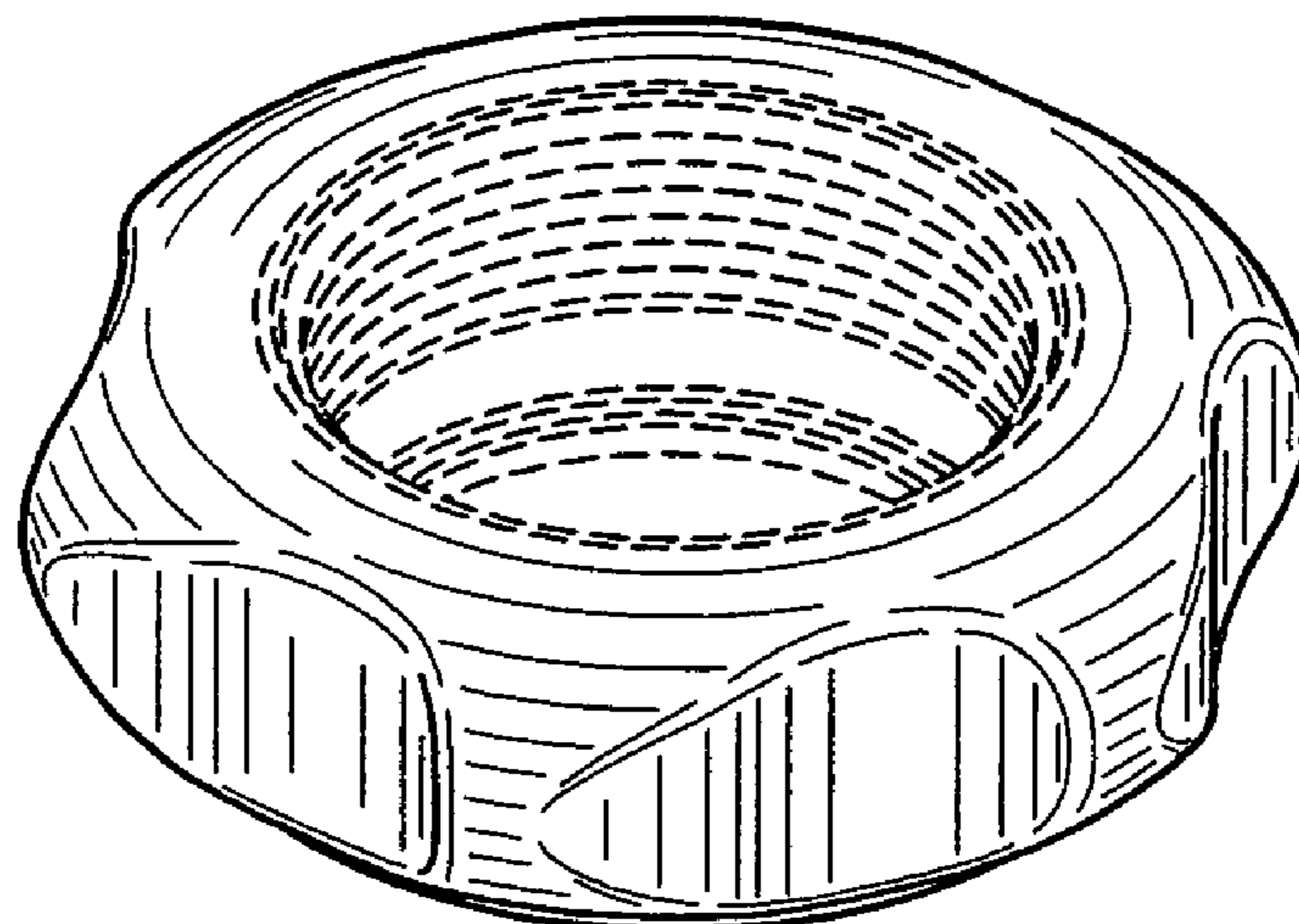
The broken lines depicting portions of the threaded nut are
for illustrative purposes only and form no part of the claimed
design.

(56) **References Cited**

U.S. PATENT DOCUMENTS

248,975	A *	11/1881	Wooten	411/303
1,302,845	A *	5/1919	Redmer	368/273
2,369,865	A *	2/1945	Spencer	411/11
2,502,642	A *	4/1950	Curlin	411/303
3,009,722	A *	11/1961	Augustin	411/542
3,342,235	A *	9/1967	Pylypyshyn	411/134
3,810,291	A *	5/1974	Ladouceur	29/243.517
D262,940	S *	2/1982	Spinner	D8/397
4,389,766	A *	6/1983	Capuano	29/432.2
D295,370	S *	4/1988	Carlo et al.	D8/397

1 Claim, 4 Drawing Sheets



US D561,019 S

Page 2

U.S. PATENT DOCUMENTS

D374,814 S * 10/1996 Saito D8/387
5,701,934 A 12/1997 Kuran et al.
D390,436 S * 2/1998 Vaagen D8/70
D390,923 S 2/1998 Stevens
5,775,744 A 7/1998 Smith, III
D398,369 S 9/1998 Hayes et al.
D408,506 S 4/1999 Gottwald
5,890,857 A * 4/1999 Herrera 411/11
D410,728 S 6/1999 Kurth et al.
D413,967 S 9/1999 Yuen
6,158,936 A * 12/2000 Thommes 411/304
D437,919 S 2/2001 Chao
D438,603 S 3/2001 Chao
D441,436 S 5/2001 Chao
D457,604 S 5/2002 Chen
6,386,596 B1 5/2002 Olson
D458,351 S 6/2002 Chen
D458,352 S 6/2002 Chen
D458,353 S 6/2002 Chen
6,662,822 B2 * 12/2003 Fuller 137/383
6,672,628 B2 1/2004 Thomas et al.

D496,094 S 9/2004 Stevens
D504,809 S * 5/2005 Sato et al. D8/382
6,912,742 B1 7/2005 Wang
6,994,500 B2 * 2/2006 Ward et al. 411/180
7,112,025 B2 * 9/2006 Ward et al. 411/180
2002/0136617 A1 * 9/2002 Imahigashi 411/533
2003/0082028 A1 * 5/2003 Winker 411/427
2004/0042872 A1 * 3/2004 Ward et al. 411/181
2005/0035054 A1 2/2005 Chu
2005/0072728 A1 4/2005 Chang
2006/0013670 A1 * 1/2006 Sullivan et al. 411/155
2006/0032753 A1 2/2006 Hsien
2006/0053549 A1 3/2006 Wei

FOREIGN PATENT DOCUMENTS

GB 2034847 A * 6/1980
JP 2000033206 A 2/2000
JP 2004322098 A 12/2004
RU 2236281 C1 9/2004
RU 2238786 C1 10/2004
WO 2005047754 A1 5/2005

* cited by examiner

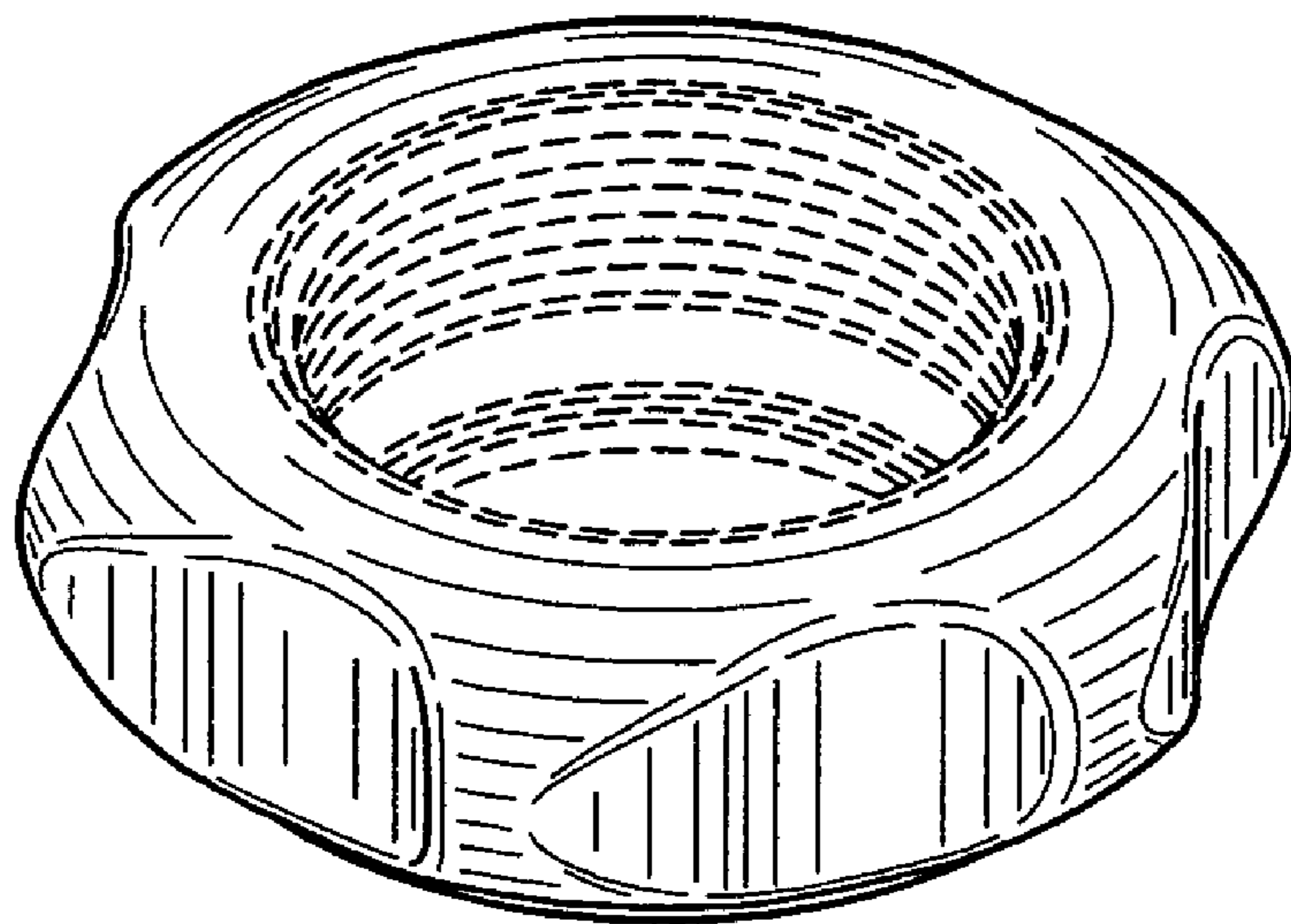


FIG. 1

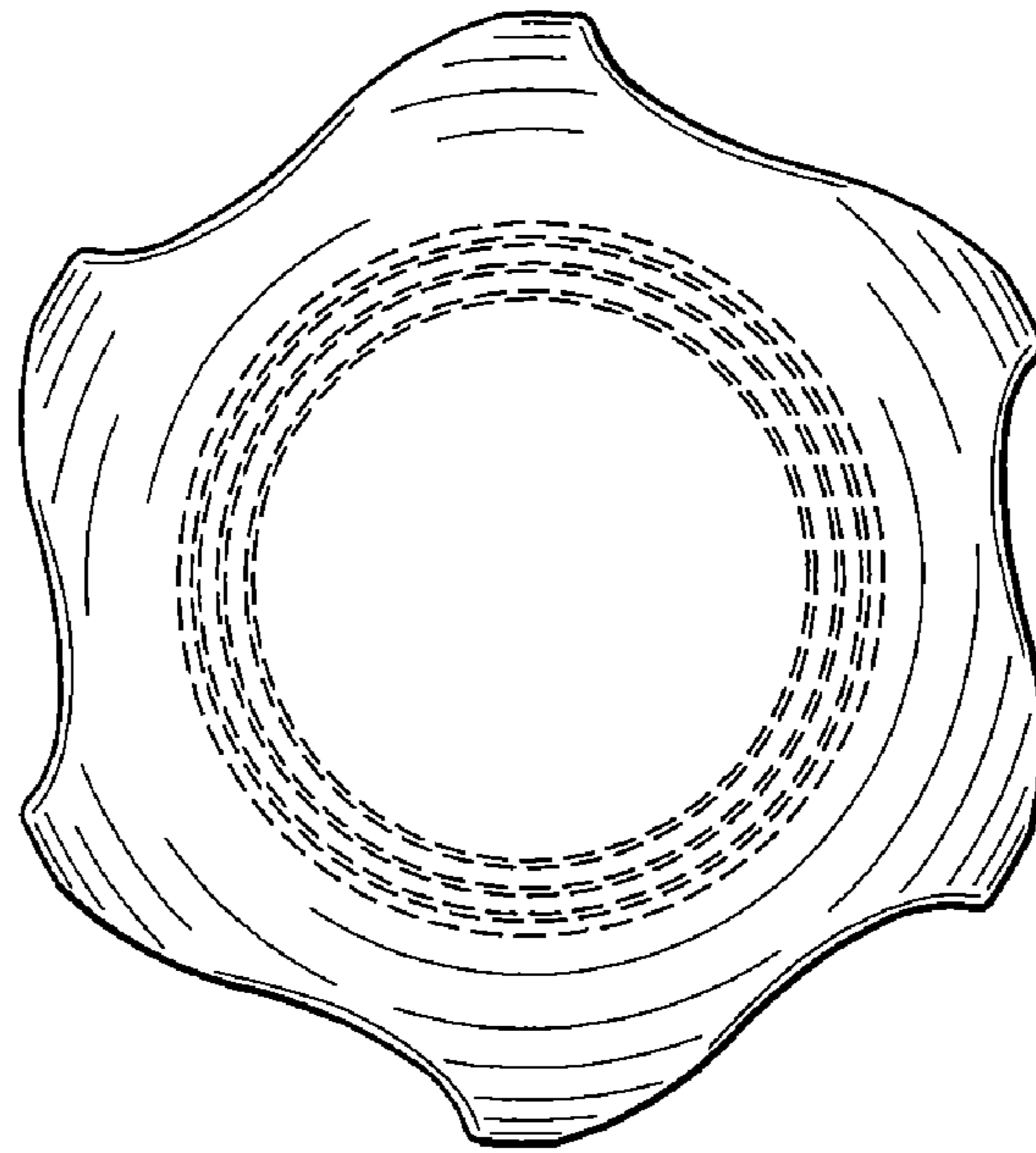


FIG. 2

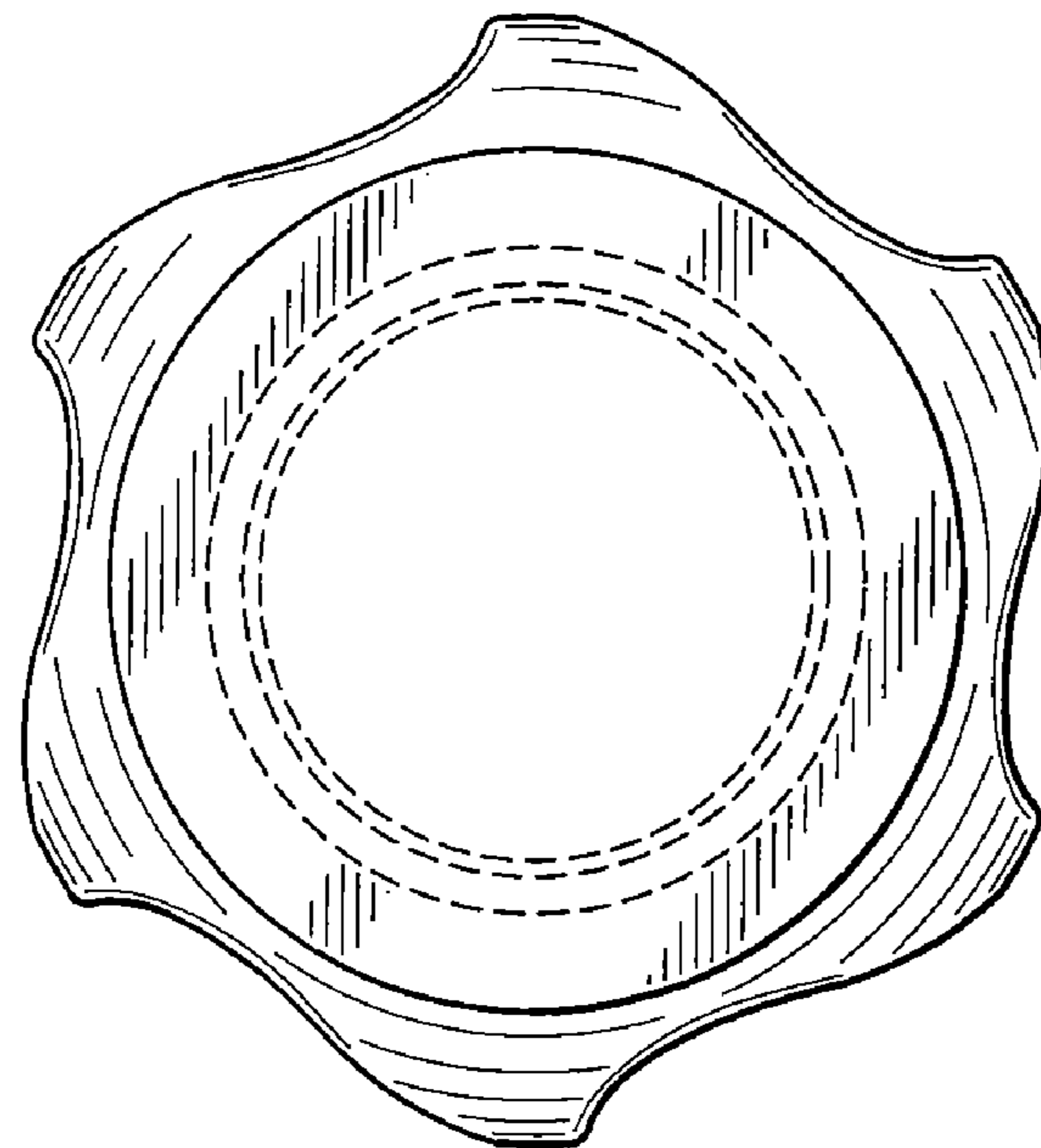


FIG. 3

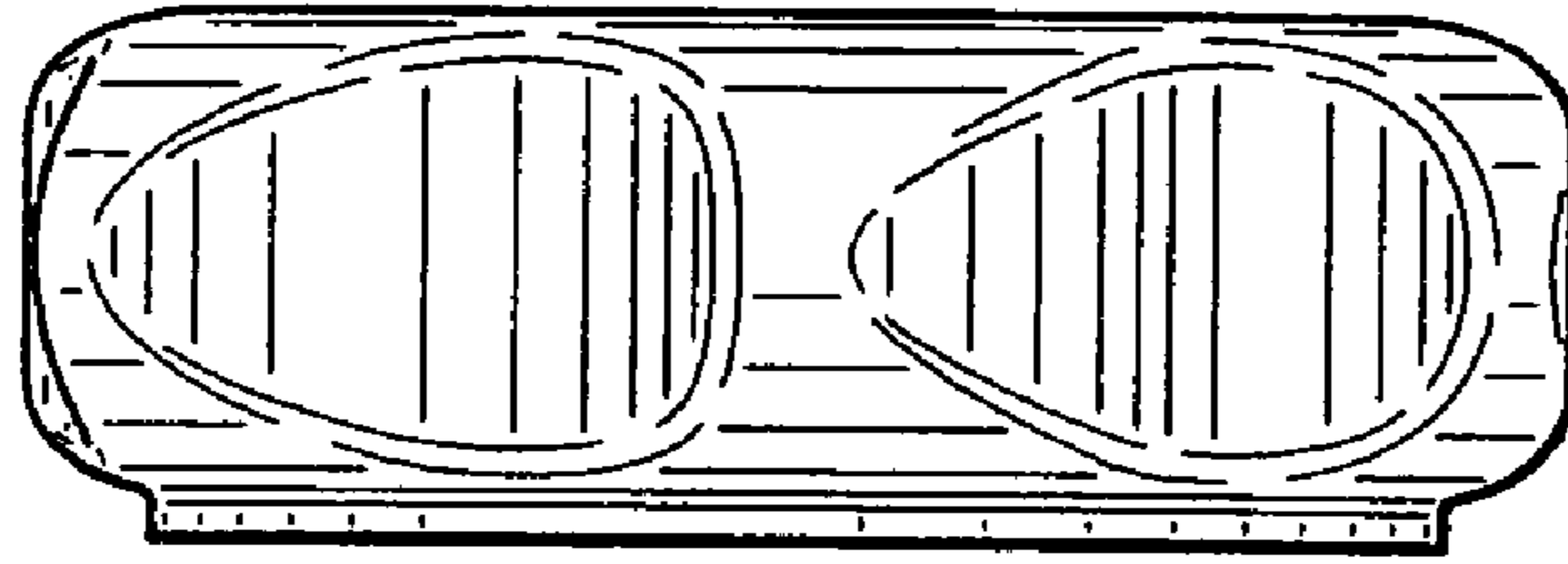


FIG. 4

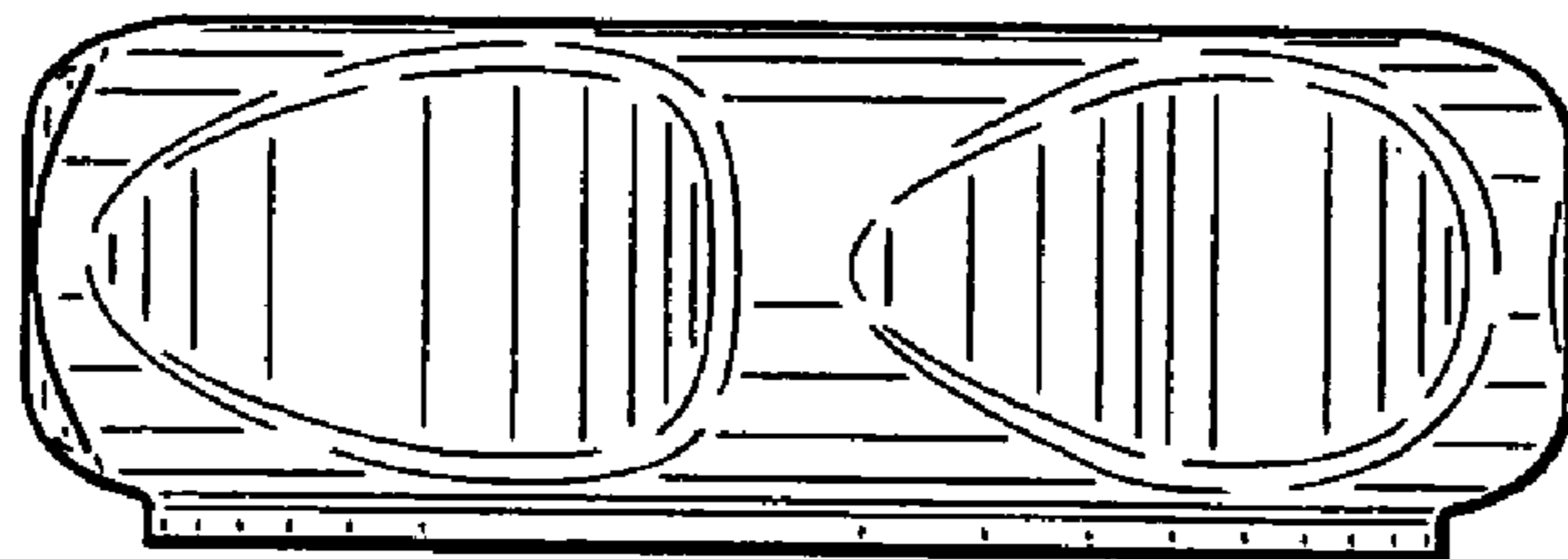


FIG. 5

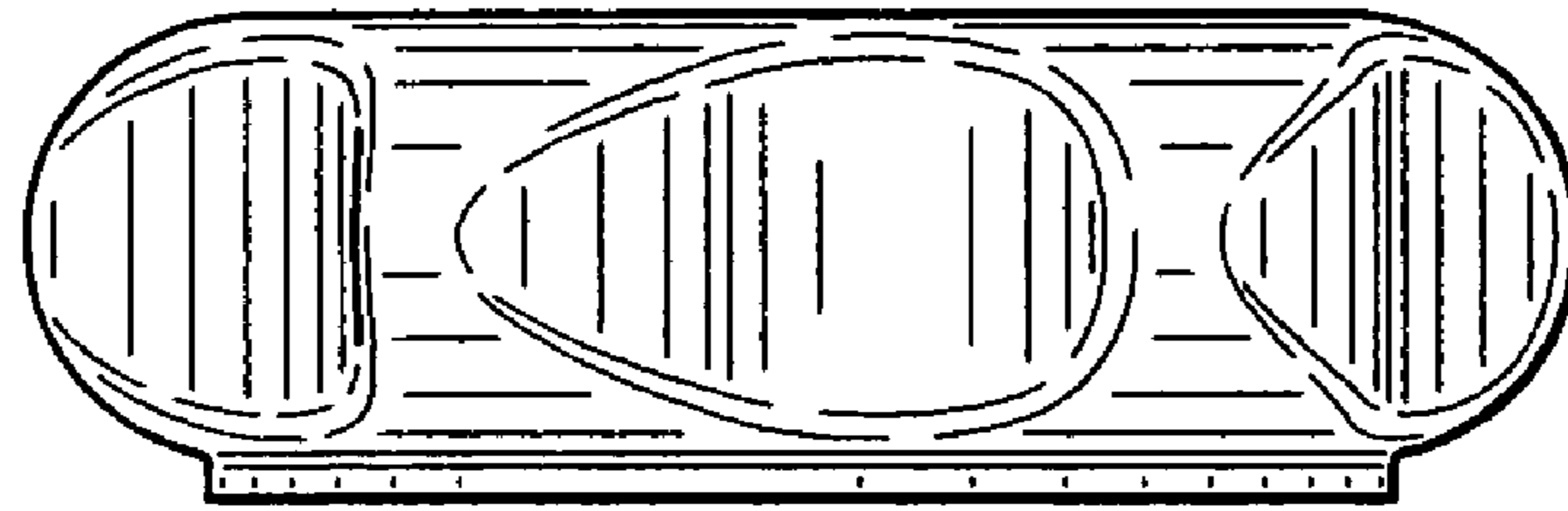


FIG. 6

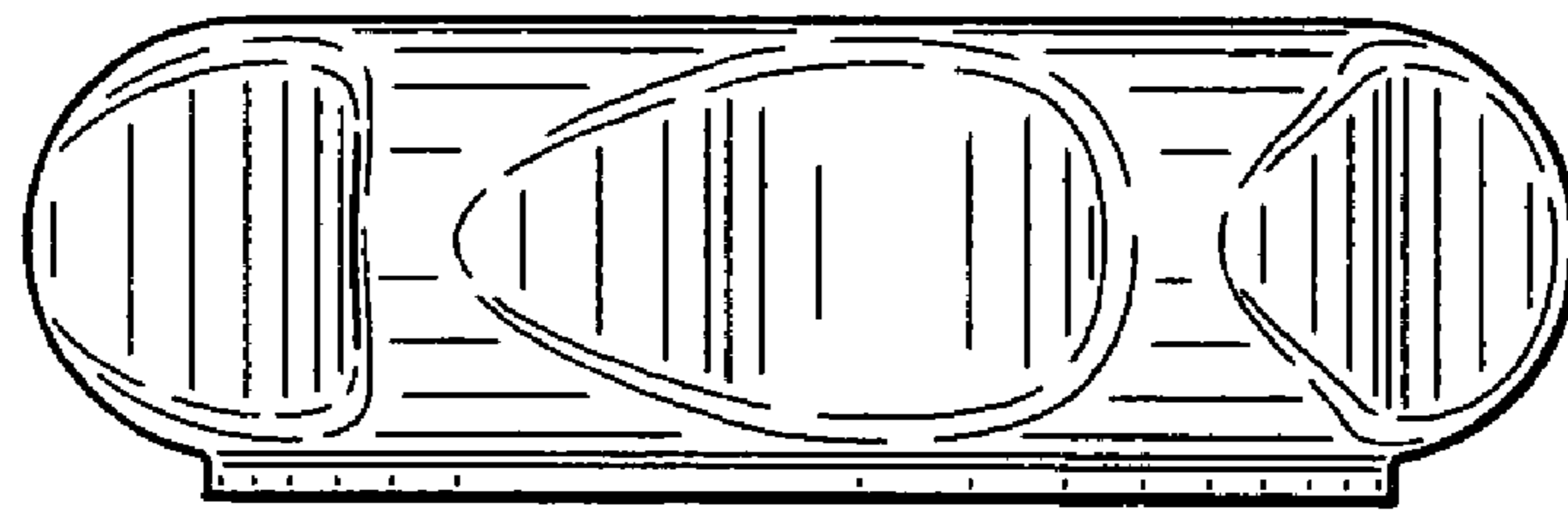


FIG. 7