



US00D561018S

(12) **United States Design Patent**
Frank

(10) **Patent No.:** **US D561,018 S**

(45) **Date of Patent:** **** Feb. 5, 2008**

(54) **BOOK SHELF DISPLAY DEVICE**

(76) **Inventor:** **Gary Liebling Frank**, 2679 15th Ave.,
San Francisco, CA (US) 94127

(**) **Term:** **14 Years**

(21) **Appl. No.:** **29/288,118**

(22) **Filed:** **May 31, 2007**

(51) **LOC (8) Cl.** **08-08**

(52) **U.S. Cl.** **D8/395; D20/43**

(58) **Field of Classification Search** D8/356,
D8/371, 394-396; D19/65; 40/607.14, 652,
40/658, 647, 661, 666, 779; 248/74.2, 215,
248/227.1, 49, 300, 301, 316.7, 51, 489;
D20/40-44

See application file for complete search history.

(56) **References Cited**

U.S. PATENT DOCUMENTS

- 1,417,325 A * 5/1922 Hopp et al. 40/658
- 3,537,698 A * 11/1970 Callanan 269/98
- 6,470,613 B1 * 10/2002 Wildrick 40/661.03
- D470,893 S * 2/2003 Valiulis et al. D20/44

- D476,375 S * 6/2003 Zadak et al. D20/43
- D485,582 S * 1/2004 Valiulis D20/44
- 2006/0075670 A1 * 4/2006 Brinkman 40/666

* cited by examiner

Primary Examiner—Stella M. Reid

Assistant Examiner—John Windmuller

(74) *Attorney, Agent, or Firm*—Lawrence Edelman

(57) **CLAIM**

The ornamental design for a book shelf display device, as shown and described.

DESCRIPTION

FIG. 1 is a rear perspective view of a book shelf display device in an open, shelf-engaged position showing my new design;

FIG. 2 is a front perspective view thereof;

FIG. 3 is a left side elevational view thereof; and,

FIG. 4 is a rear perspective view thereof in a closed, non-engaged position.

1 Claim, 2 Drawing Sheets

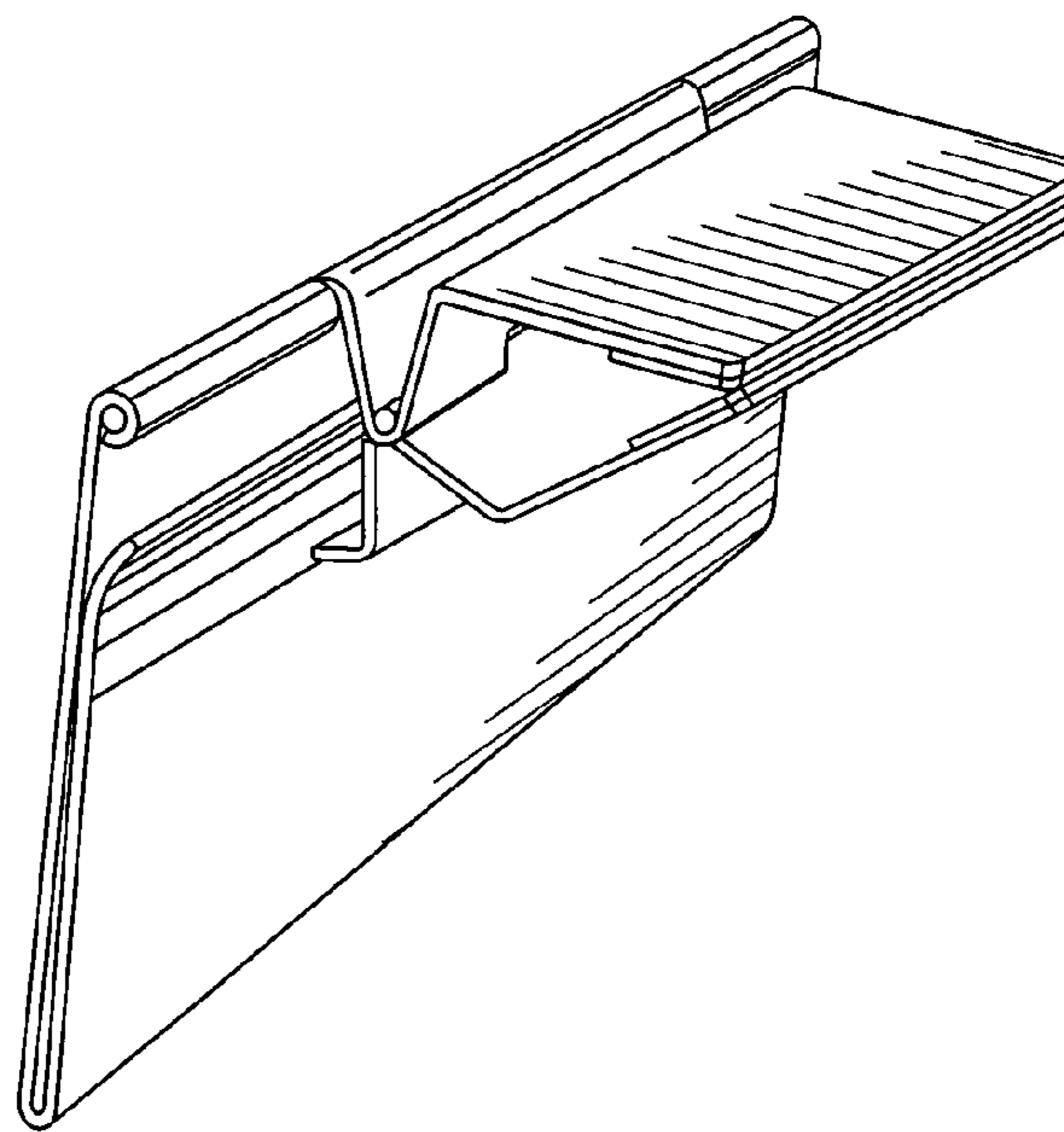
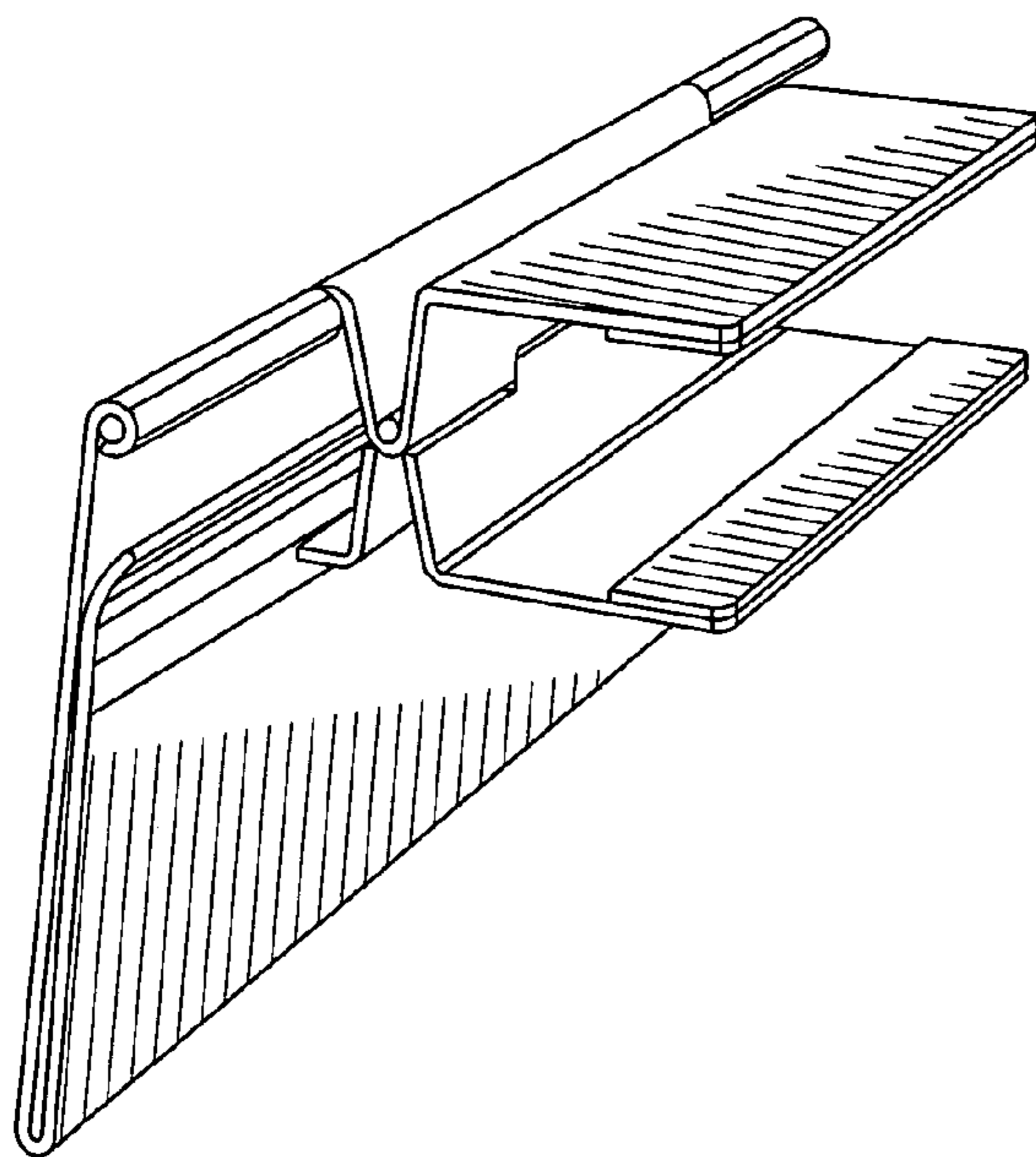


FIG. 1

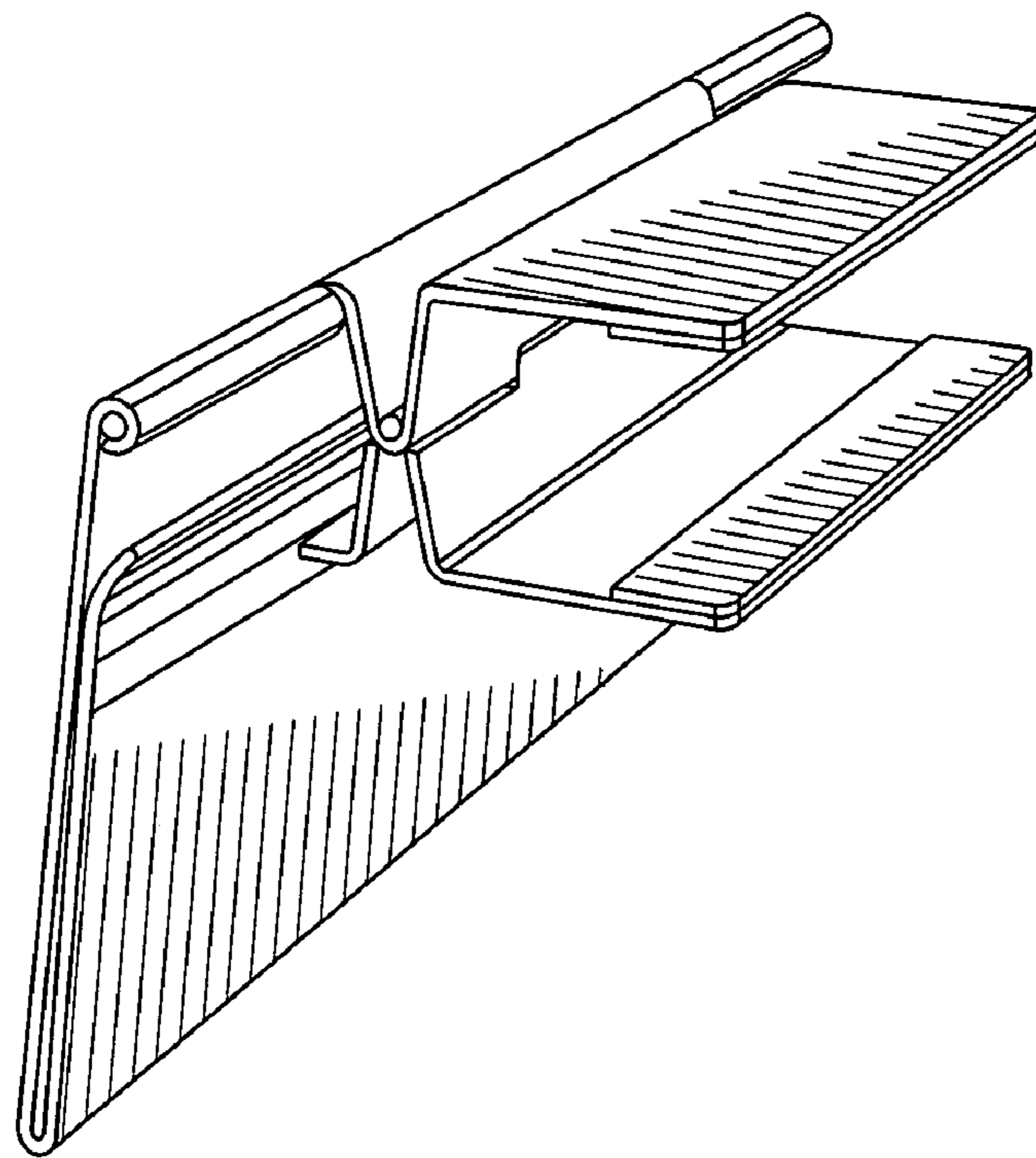


FIG. 2

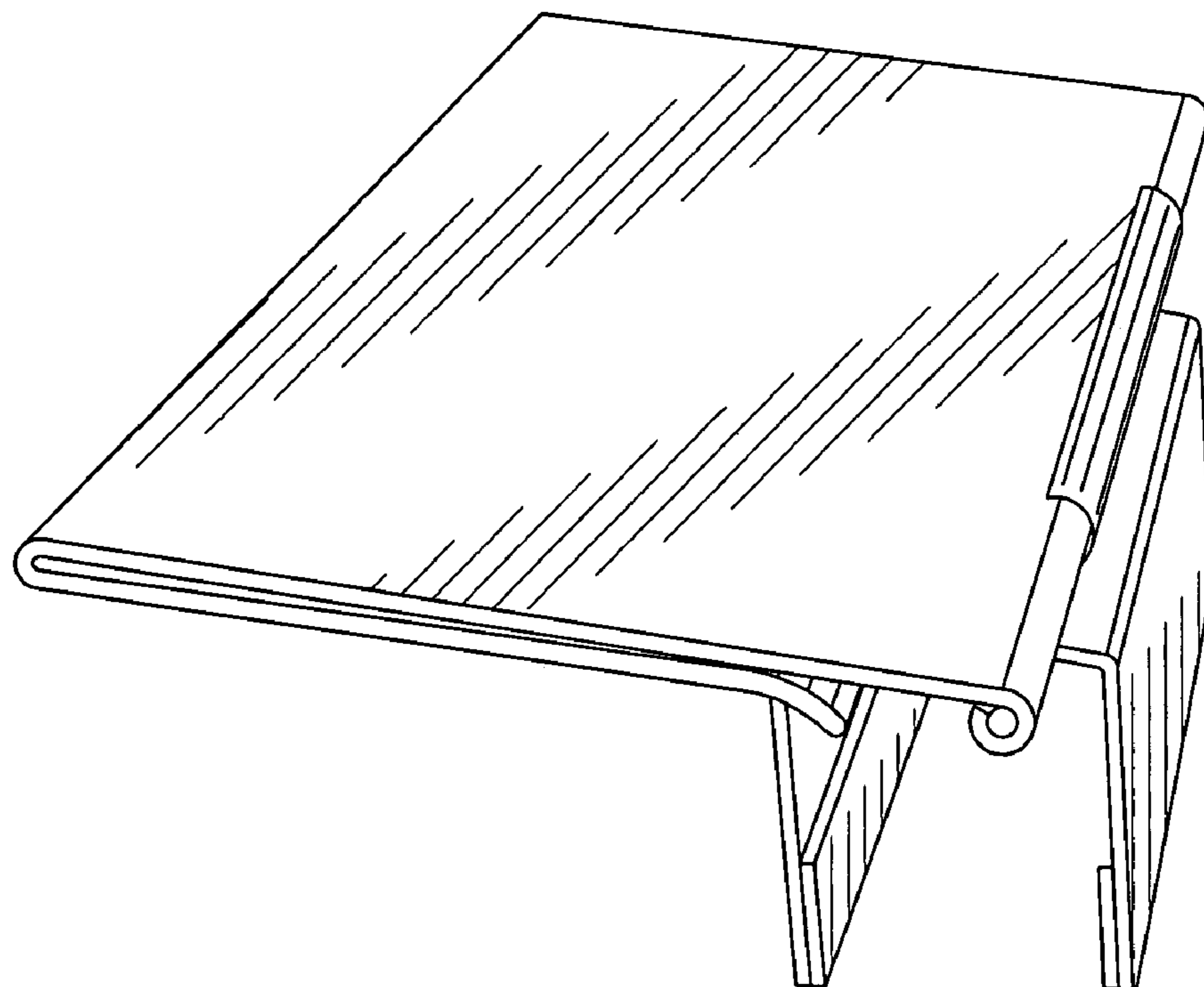


FIG. 3

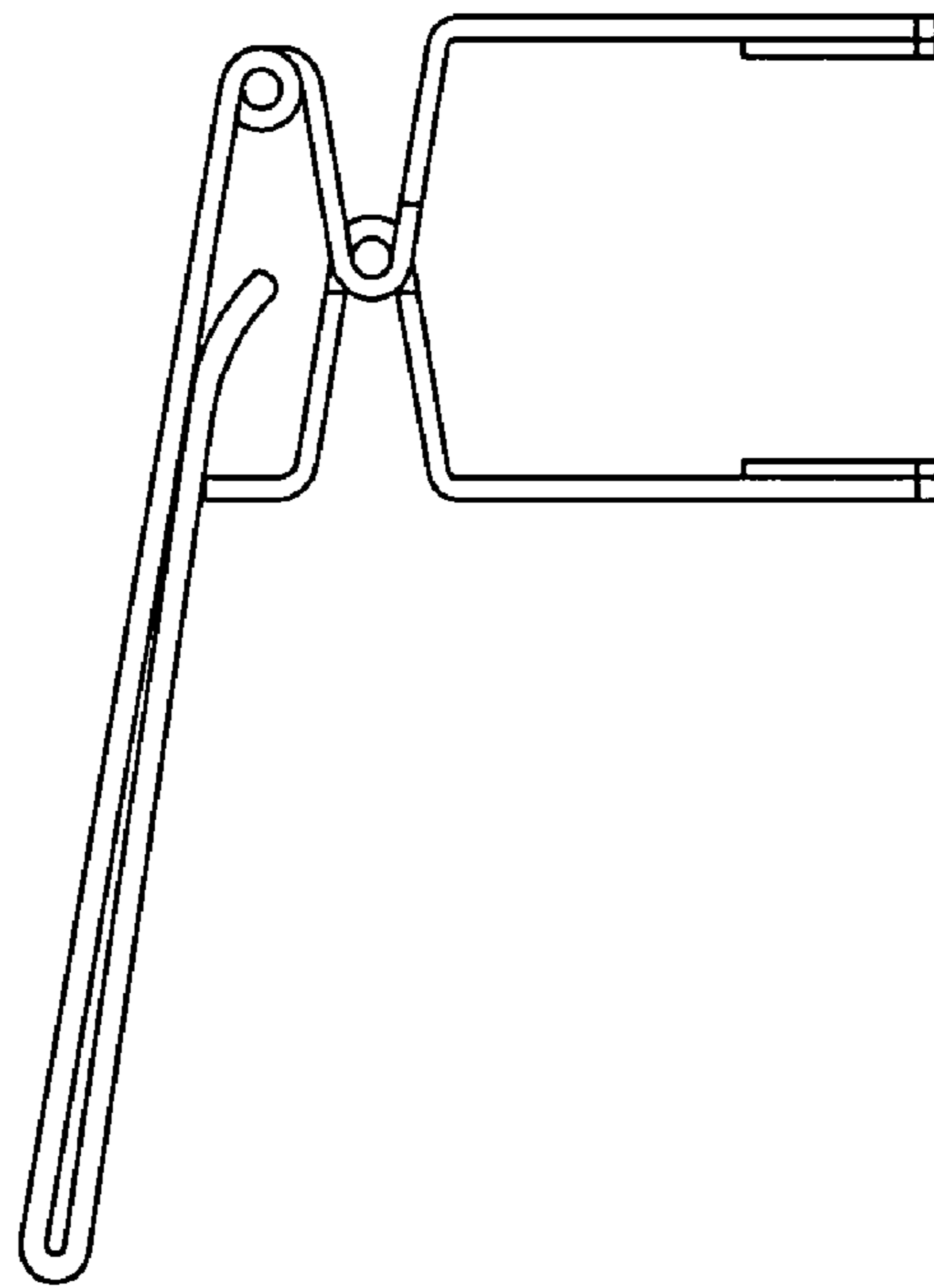


FIG. 4

