



US00D561017S

(12) **United States Design Patent**
Carney

(10) **Patent No.:** **US D561,017 S**

(45) **Date of Patent:** **** Feb. 5, 2008**

(54) **PIVOTING CONNECTOR**

D534,792 S * 1/2007 Cooper D8/382

(75) Inventor: **John Carney**, Warrington (GB)

* cited by examiner

(73) Assignee: **Cheshire Mouldings & Woodturnings Limited**, Warrington, Cheshire (GB)

Primary Examiner—Holly H. Baynham

Assistant Examiner—Sheryl Friedman

(**) Term: **14 Years**

(74) *Attorney, Agent, or Firm*—Thompson Coburn LLP; Matthew J. Himich, Esq.

(21) Appl. No.: **29/260,470**

(57) **CLAIM**

(22) Filed: **May 25, 2006**

I claim the ornamental design for a pivoting connector, as shown and described.

(30) **Foreign Application Priority Data**

Nov. 29, 2005 (EM) 000441977-0001

DESCRIPTION

(51) **LOC (8) Cl.** **08-08**

FIG. 1 is a side view;

(52) **U.S. Cl.** **D8/382**

FIG. 2 is a plan view;

(58) **Field of Classification Search** D32/40;
15/145, 229.2; D8/382, 380; 411/458, 461;
52/480; D4/199

FIG. 3 is a front view;

FIG. 4 is an opposite plan view;

FIG. 5 is a perspective view,

See application file for complete search history.

FIG. 6 is a front view, at a different scale, showing a first alternative position of a moveable part; and,

FIG. 7 is a front view, at a different scale, showing a second alternative position of a moveable part.

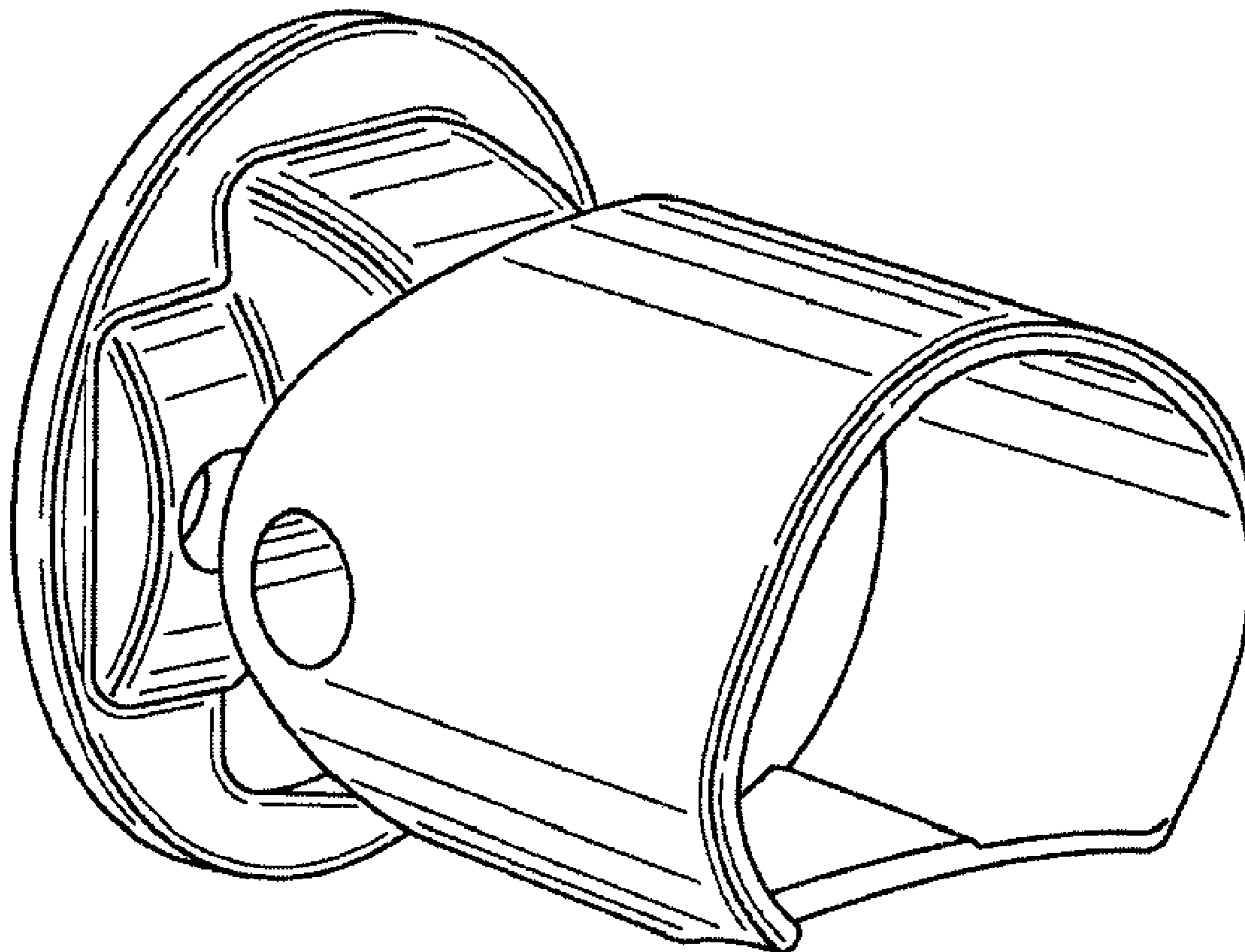
(56) **References Cited**

U.S. PATENT DOCUMENTS

D529,294 S * 10/2006 Van LANDINGHAM, Jr. D4/199

D533,356 S * 12/2006 Van LANDINGHAM, Jr. D4/199

1 Claim, 2 Drawing Sheets



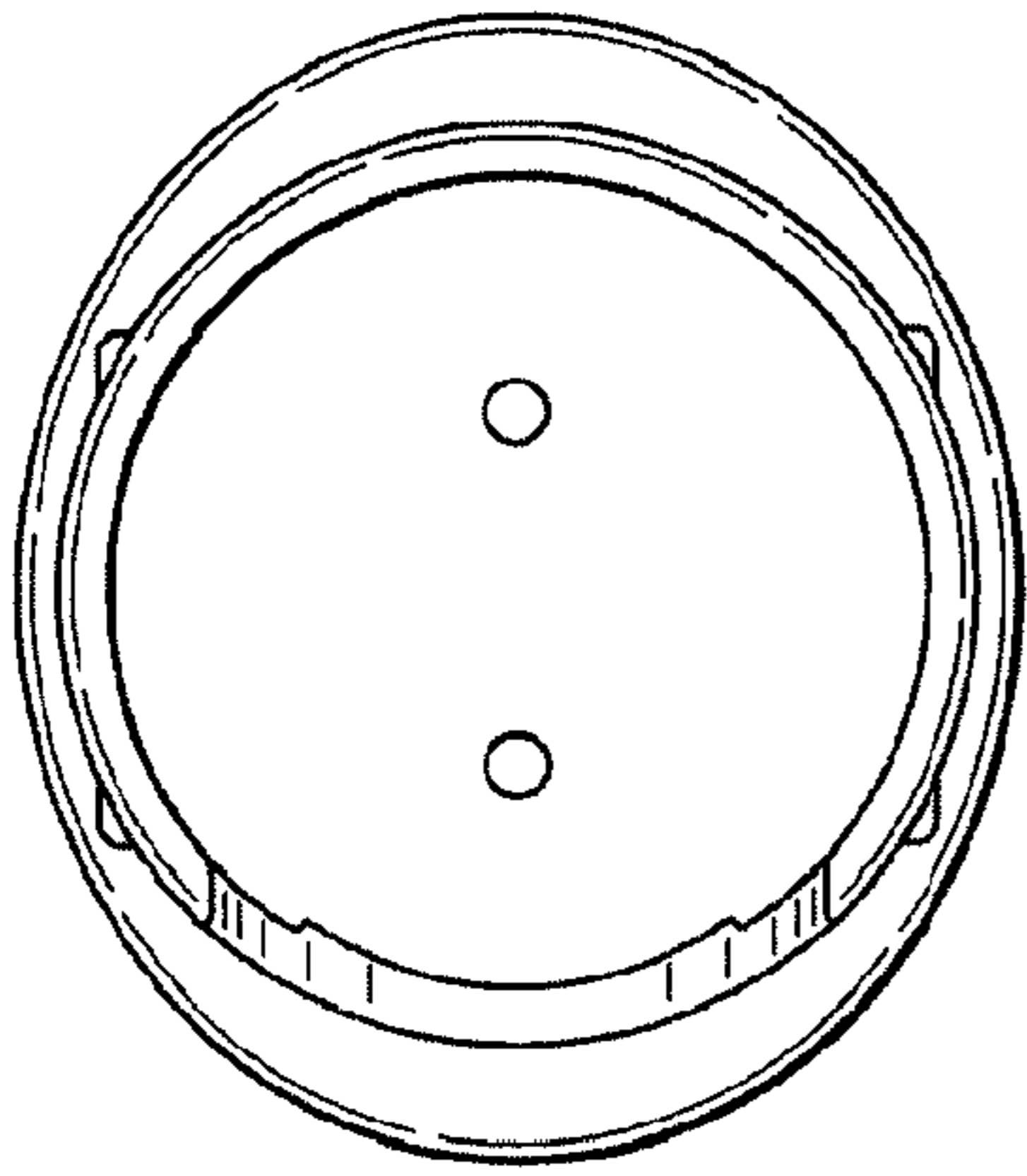


Fig. 1

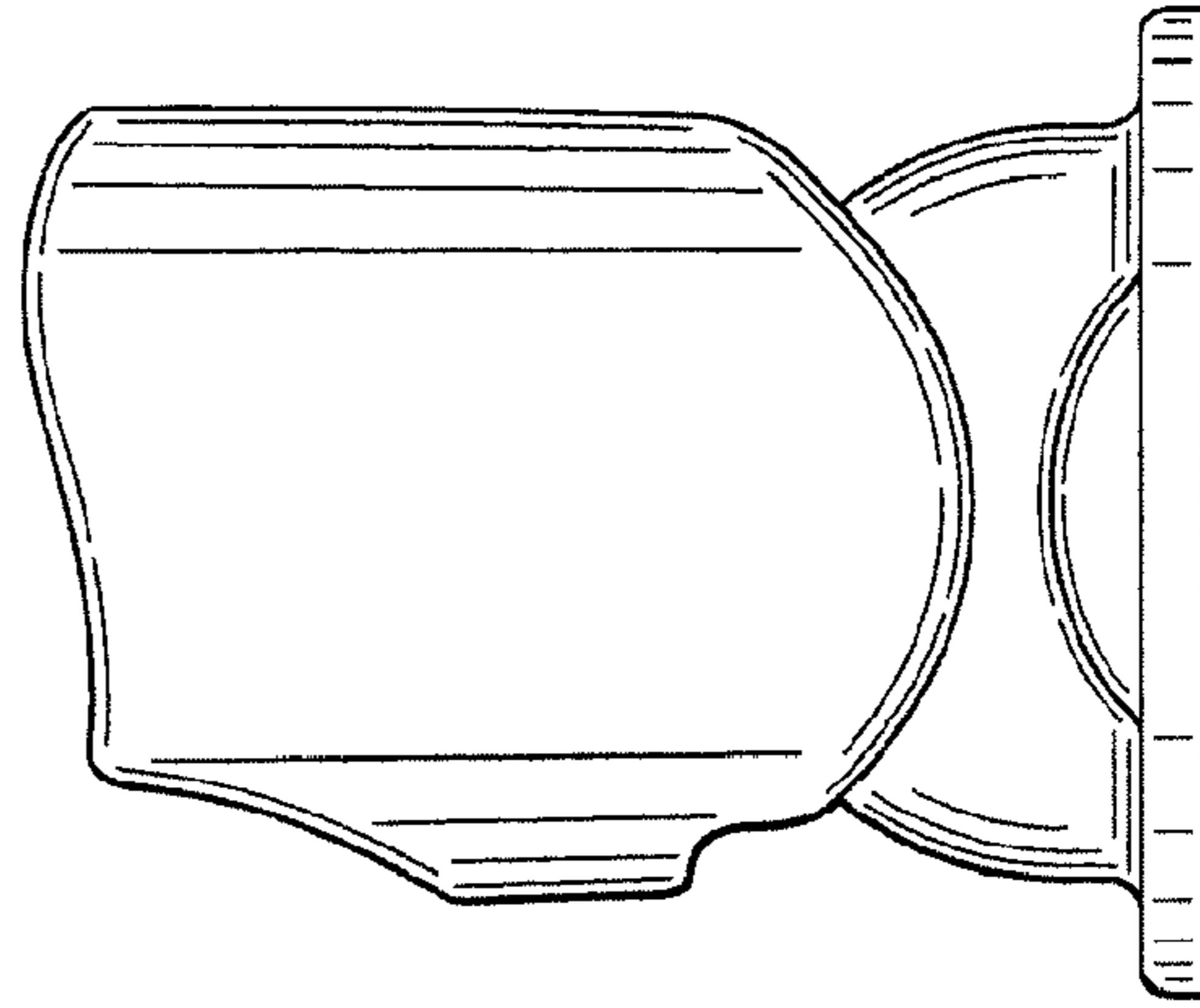


Fig. 3

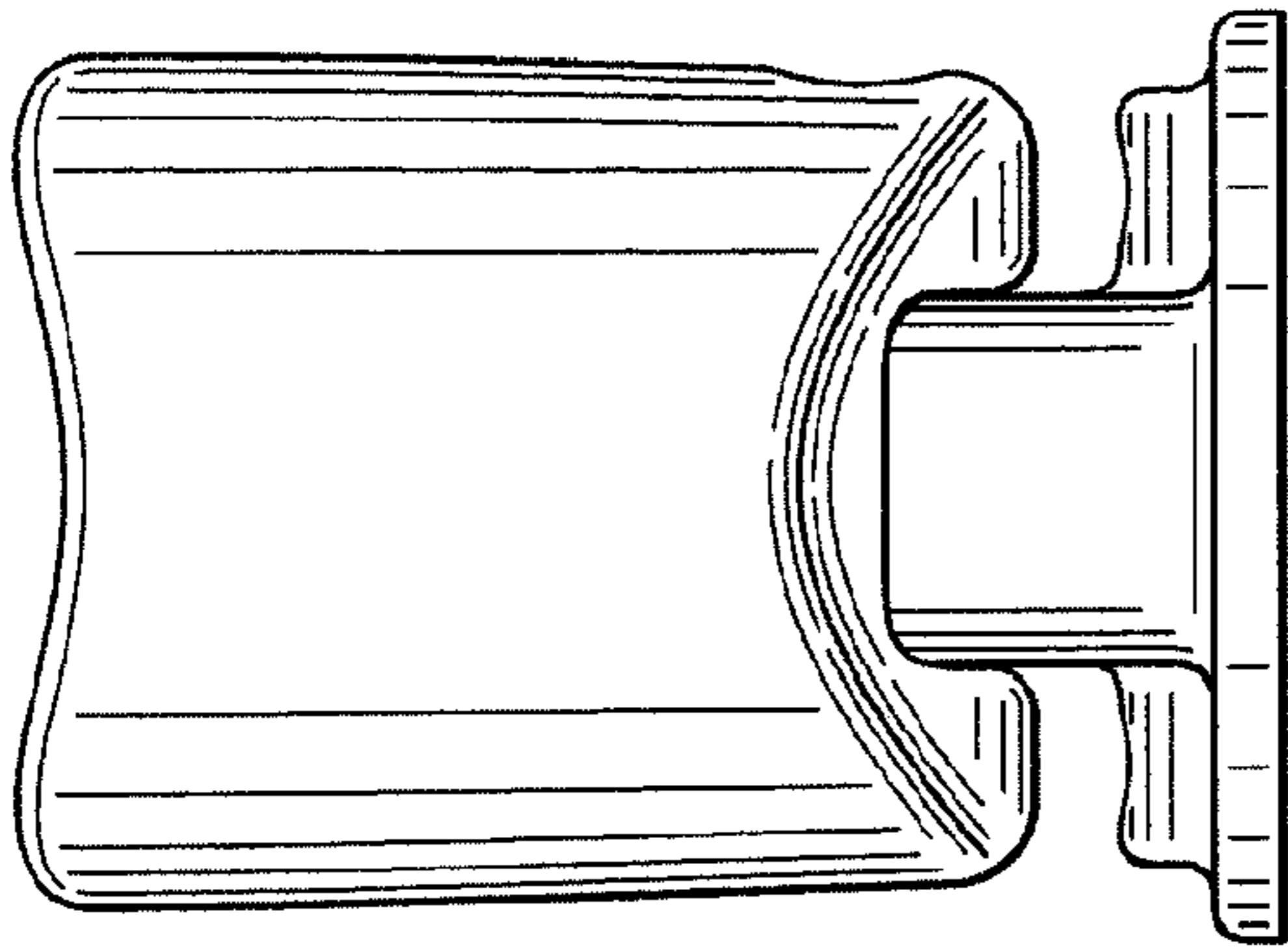


Fig. 2

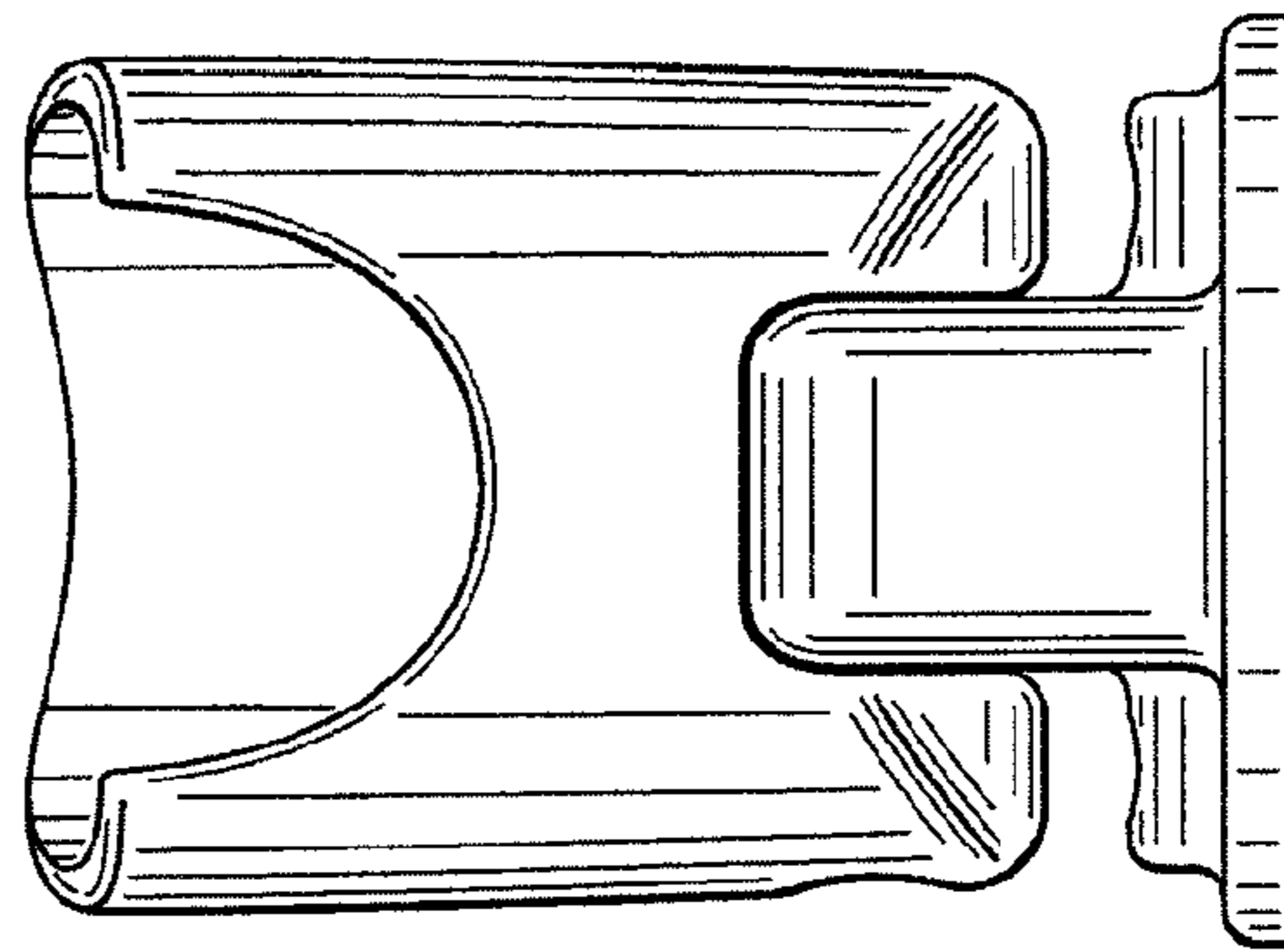


Fig. 4

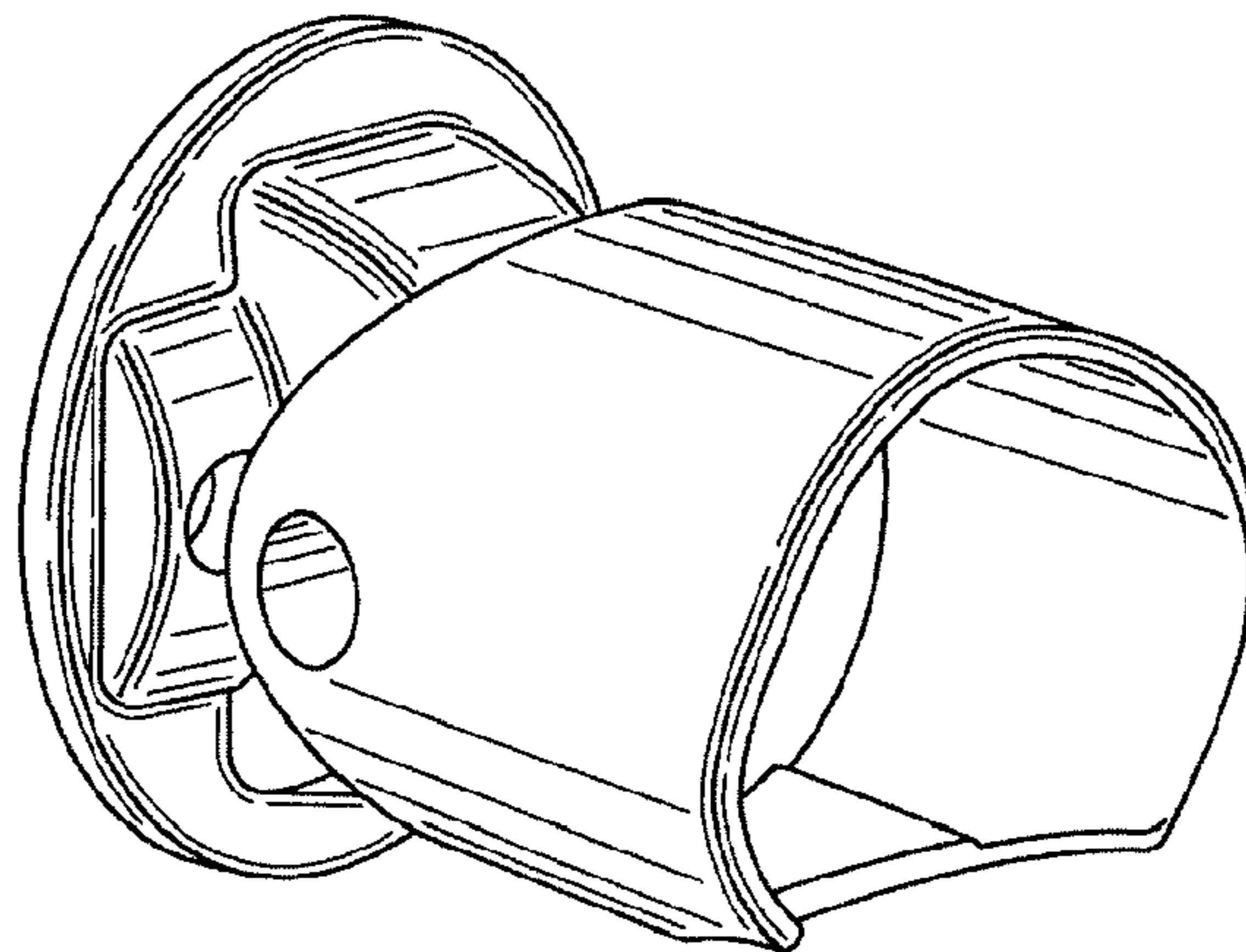


Fig. 5

Fig. 6

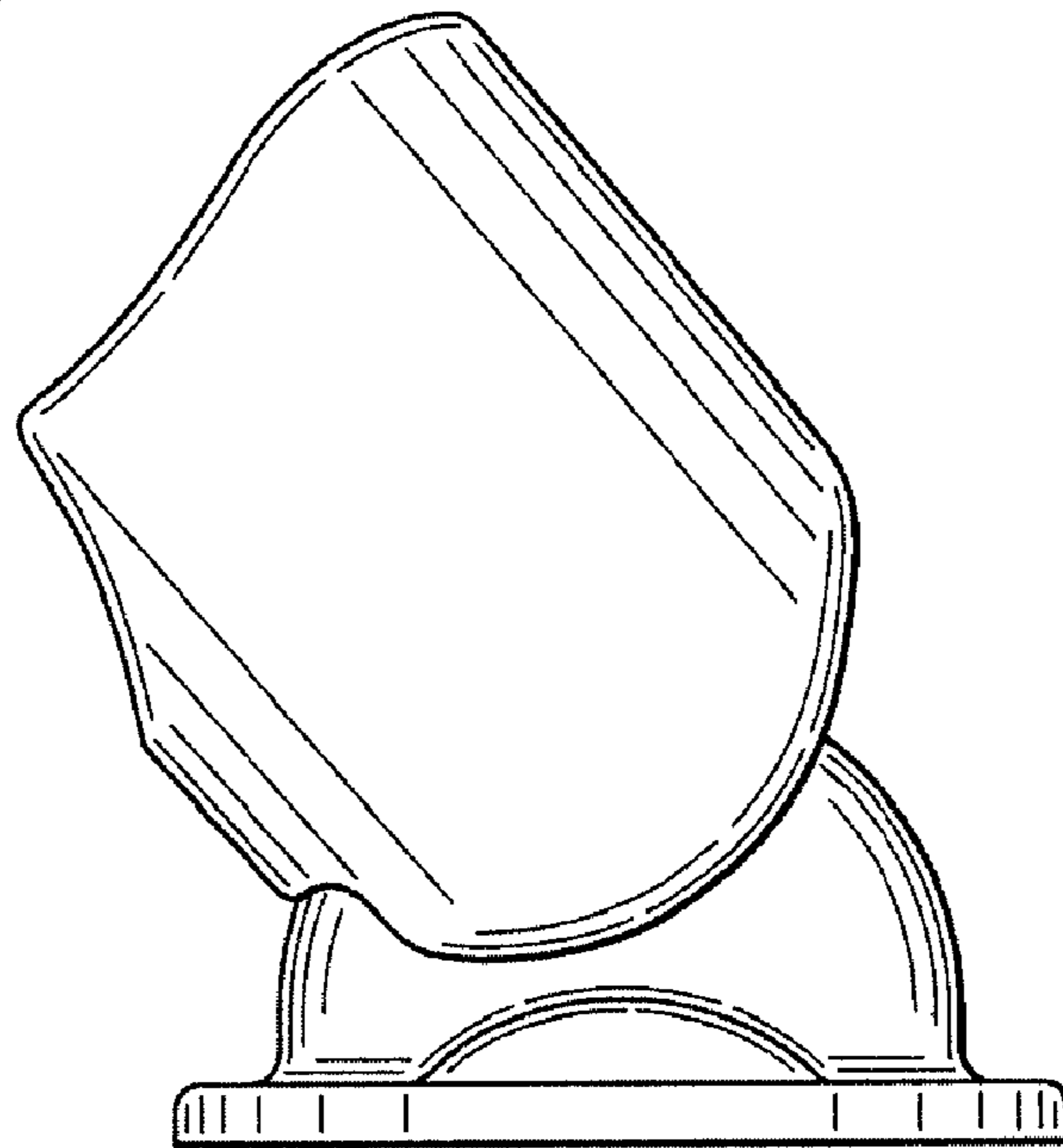


Fig. 7

