

US00D561016S

(12) **United States Design Patent**  
**Jones et al.**

(10) **Patent No.:** **US D561,016 S**  
(45) **Date of Patent:** **\*\* Feb. 5, 2008**

(54) **CONNECTOR FOR LANDING RAILS**

(75) Inventors: **Anthony Trevor Jones**, Shropshire (GB); **Paul Hughes**, Powys (GB)

(73) Assignee: **Richard Burbidge Limited** (GB)

(\*\*) Term: **14 Years**

(21) Appl. No.: **29/245,827**

(22) Filed: **Dec. 28, 2005**

(30) **Foreign Application Priority Data**

Jun. 29, 2005 (EM) ..... 000364112

(51) **LOC (8) Cl.** ..... **08-08**

(52) **U.S. Cl.** ..... **D8/382**

(58) **Field of Classification Search** ..... D8/382;  
403/169, 170, 292, 300, 305  
See application file for complete search history.

(56) **References Cited**

**U.S. PATENT DOCUMENTS**

- D303,457 S \* 9/1989 Stewart ..... D6/300
- D355,843 S \* 2/1995 Kuwata ..... D8/382
- D418,047 S \* 12/1999 Hirano ..... D8/382

- D423,918 S \* 5/2000 Hirano et al. .... D8/382
- 6,176,472 B1 1/2001 Burger
- 6,308,937 B1 10/2001 Pettit
- D477,527 S \* 7/2003 Bradford ..... D8/382

\* cited by examiner

*Primary Examiner*—Holly H. Baynham

*Assistant Examiner*—Sheryl Friedman

(74) *Attorney, Agent, or Firm*—Caesar, Rivise, Bernstein, Cohen & Pokotilow, Ltd.

(57) **CLAIM**

We claim the ornamental design for a connector for landing rails, as shown and described.

**DESCRIPTION**

FIG. 1 is a perspective view of connector for landing rails showing our new design;

FIG. 2 is a first side elevational view thereof;

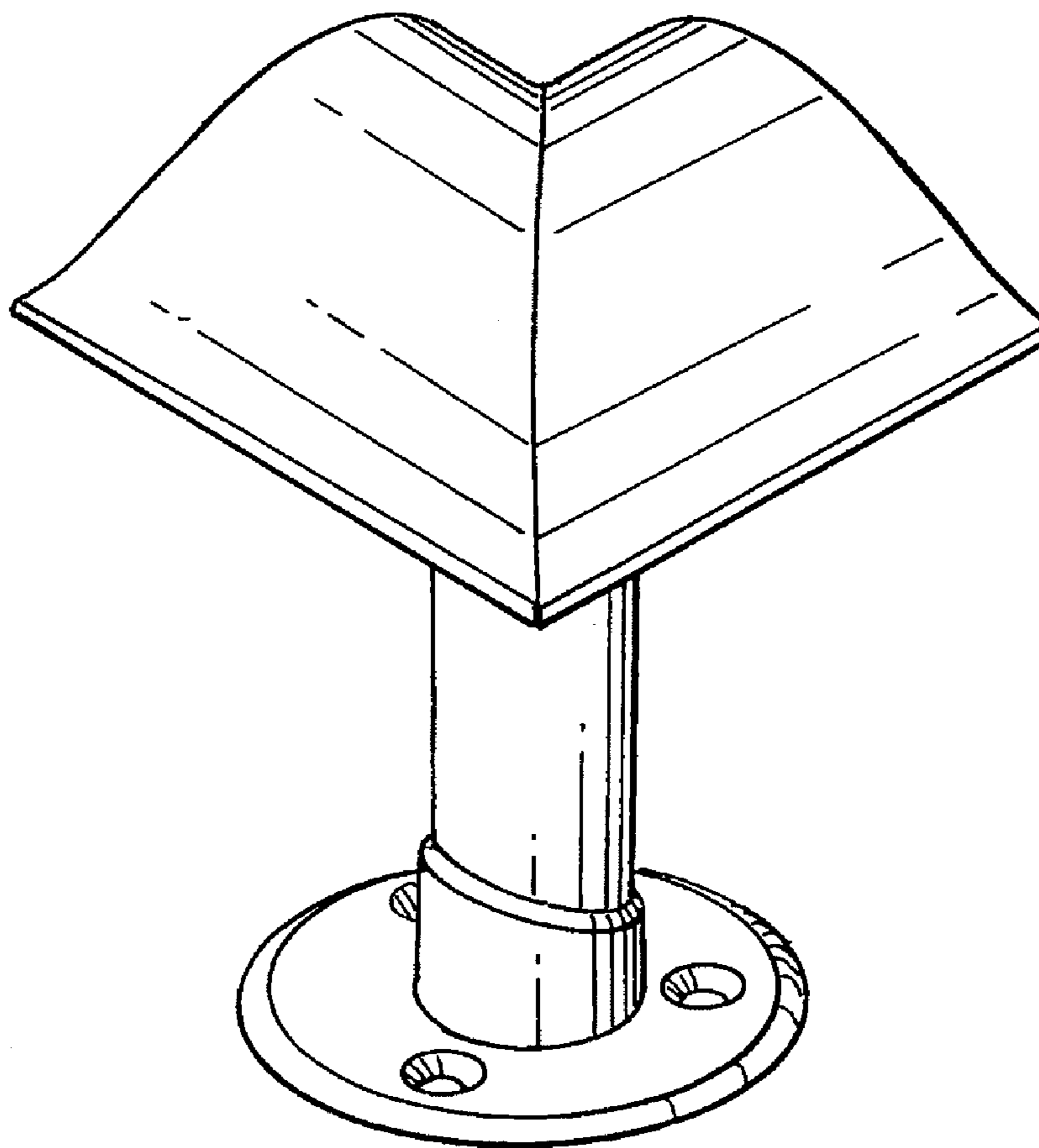
FIG. 3 is a second side elevational view thereof;

FIG. 4 is a bottom plan view thereof;

FIG. 5 is a top plan view thereof; and,

FIG. 6 is an exploded view from the first side thereof.

**1 Claim, 6 Drawing Sheets**



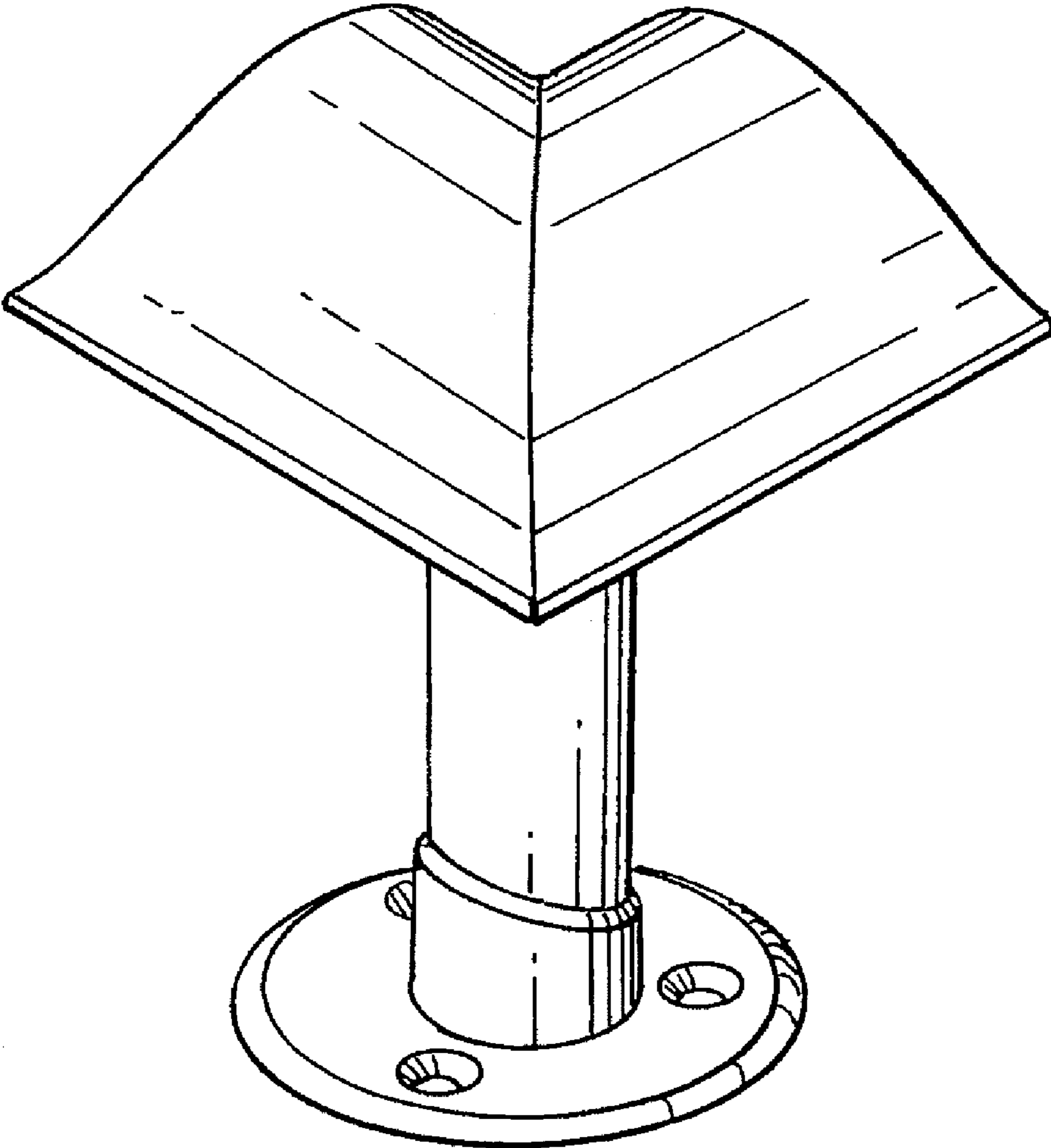


FIG. 1

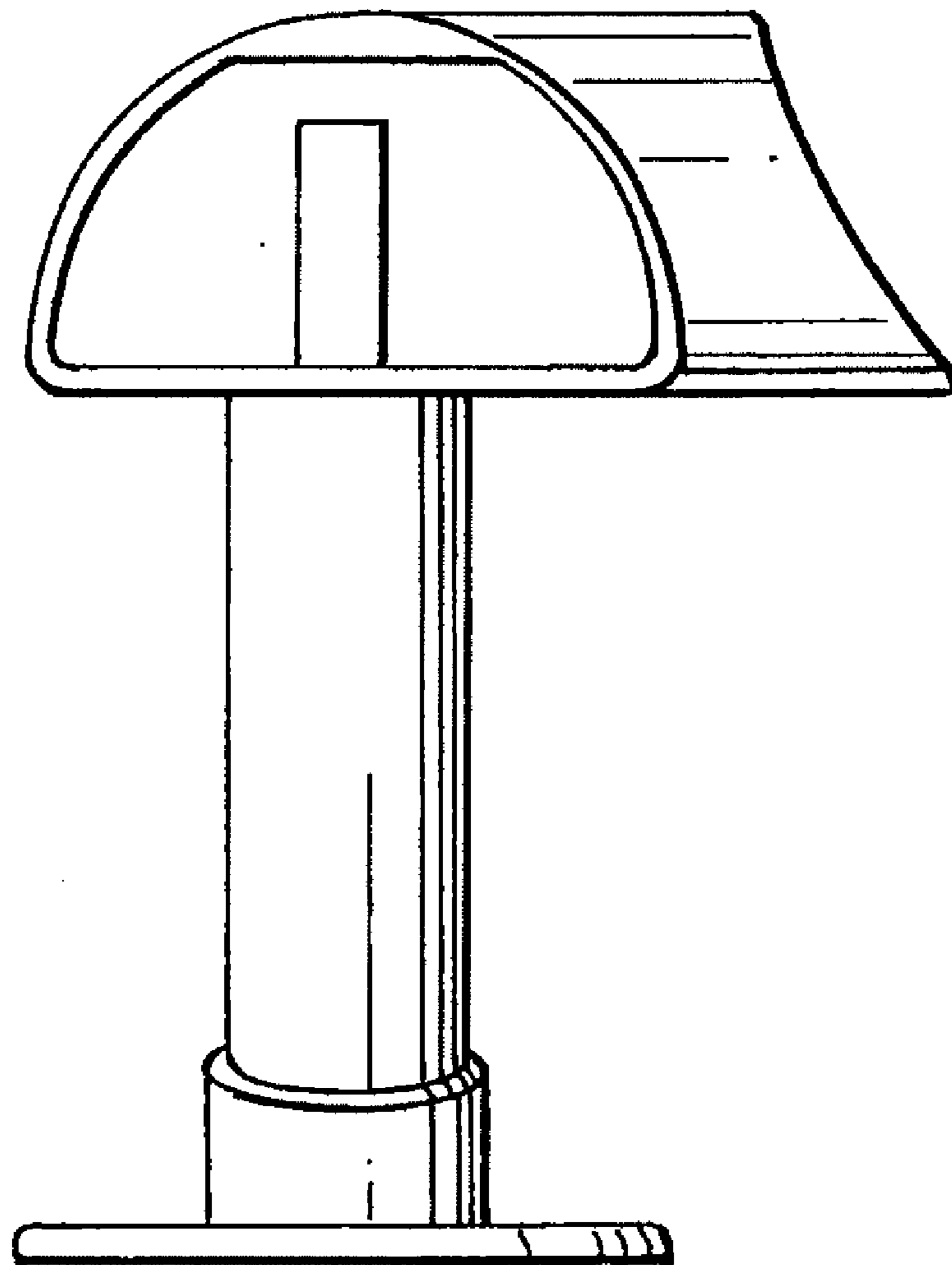


FIG. 2

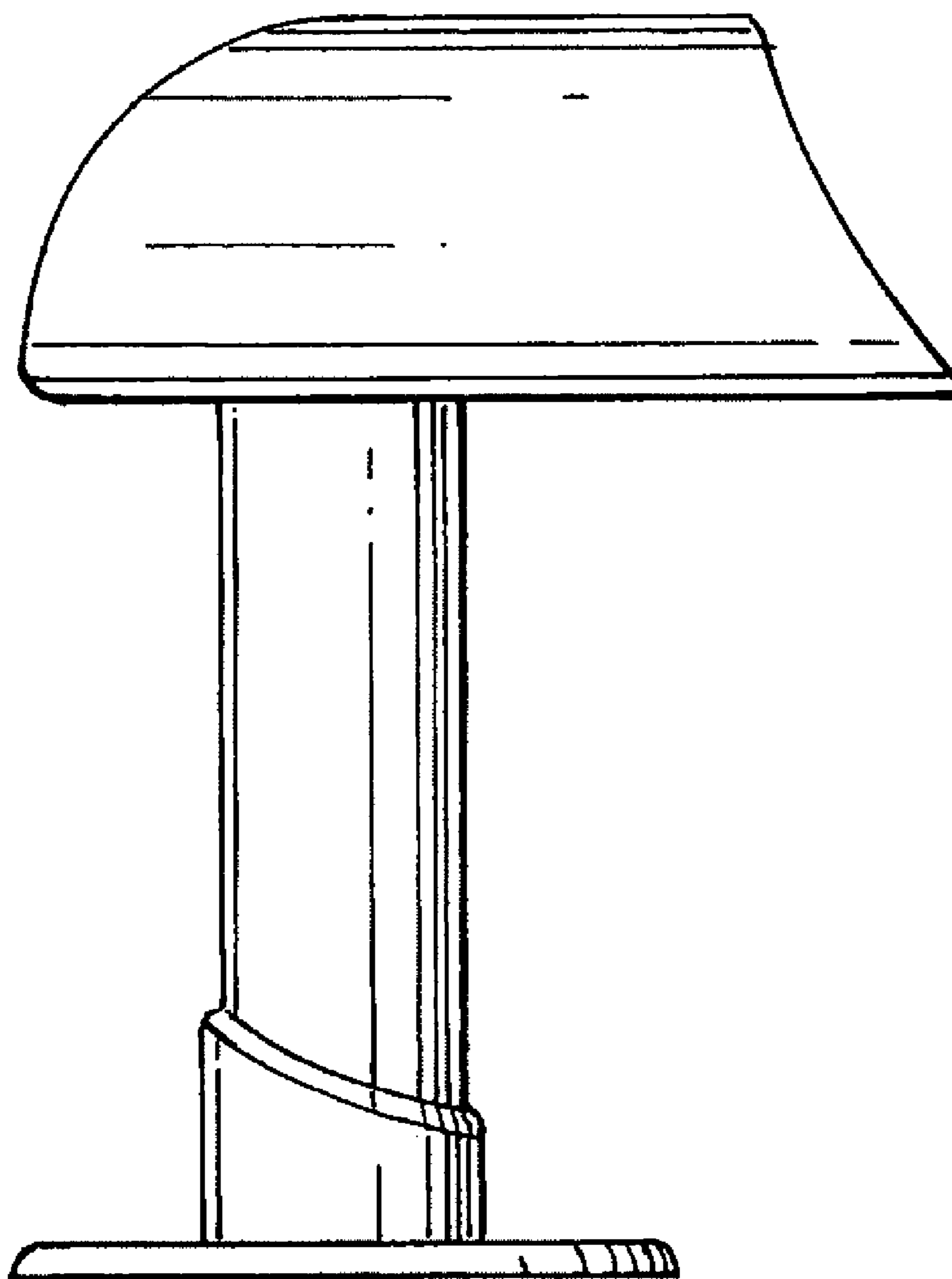


FIG. 3

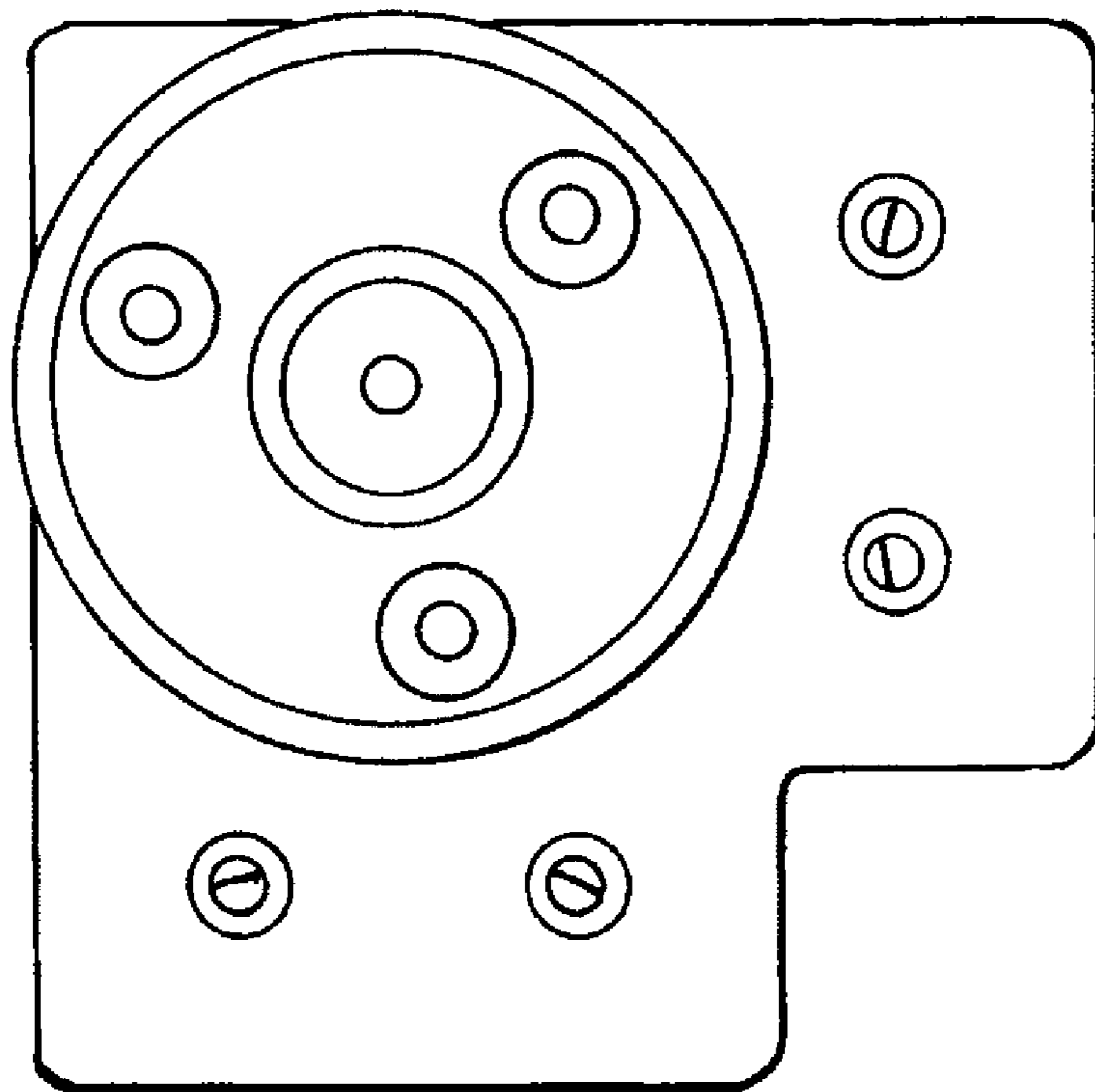


FIG. 4

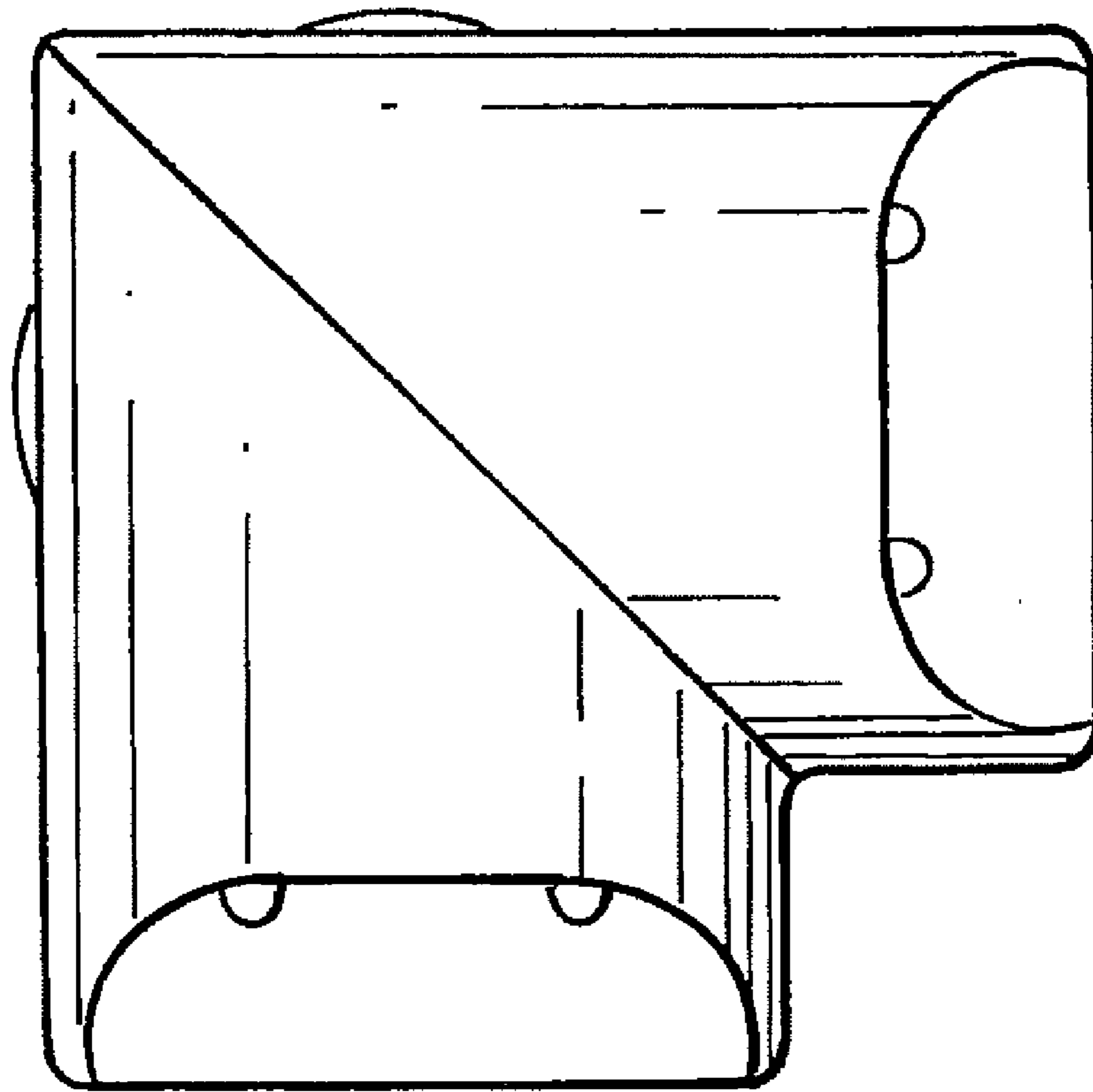


FIG. 5

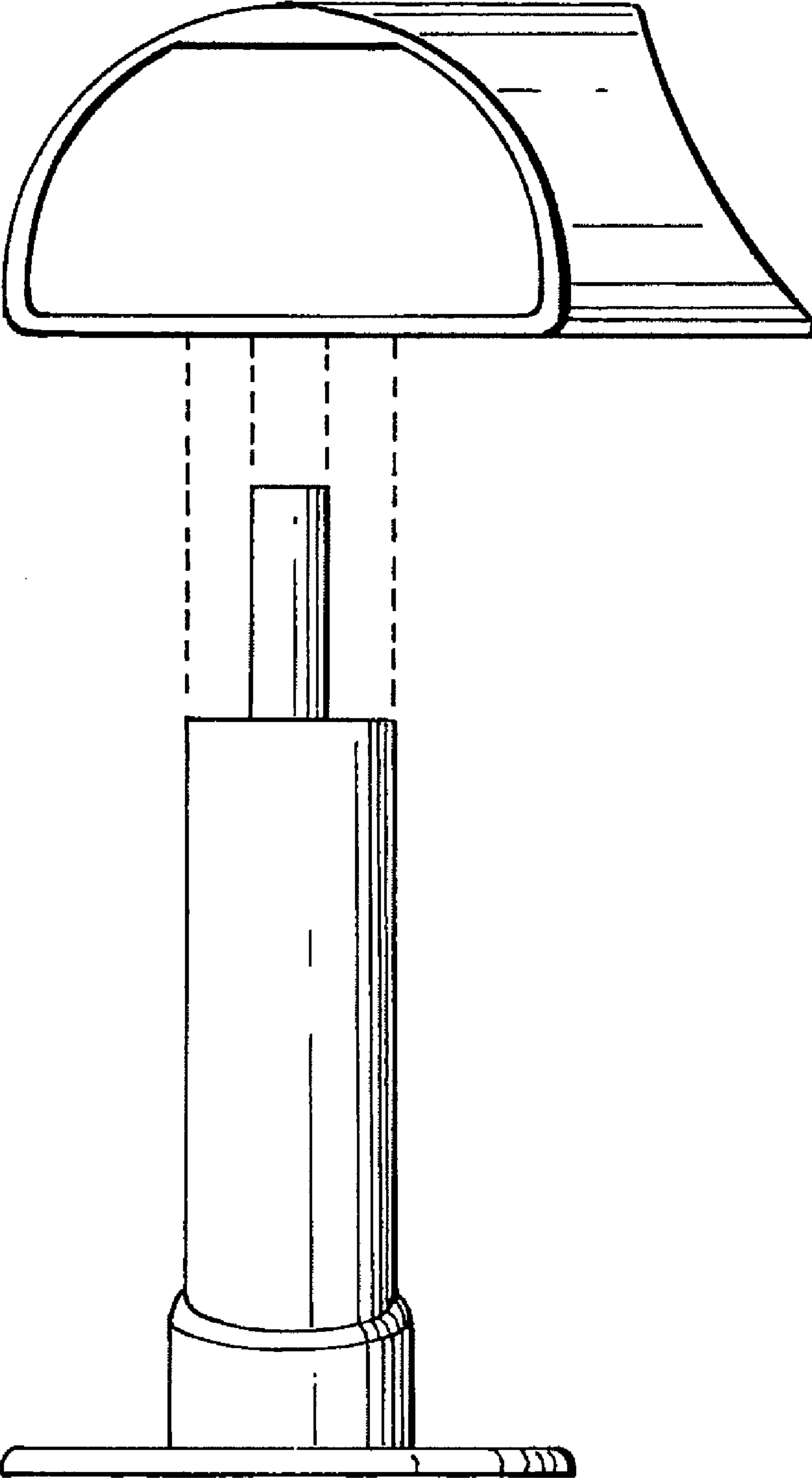


FIG. 6