



US00D561015S

(12) **United States Design Patent**
Brodbeck

(10) **Patent No.:** **US D561,015 S**

(45) **Date of Patent:** **** Feb. 5, 2008**

(54) **CASTOR**

(75) Inventor: **Stefan Brodbeck**, Munich (DE)

(73) Assignee: **Gross + Froelich GmbH & Co. KG**,
Weil der Stadt (DE)

(**) Term: **14 Years**

(21) Appl. No.: **29/247,265**

(22) Filed: **Jun. 9, 2006**

(30) **Foreign Application Priority Data**

Dec. 12, 2005 (EM) 000446240-0002

(51) **LOC (8) Cl.** **08-05**

(52) **U.S. Cl.** **D8/375**

(58) **Field of Classification Search** D8/375;
D3/318; 190/18 A; 16/45-47, 40, 35 R,
16/35 D, 31 R, 31 A, 29, 18 R, 18 CG
See application file for complete search history.

(56) **References Cited**

U.S. PATENT DOCUMENTS

- D240,399 S * 7/1976 Crescenzi et al. D8/375
- D272,416 S * 1/1984 Screen D8/375
- D288,286 S * 2/1987 Screen D8/375
- D288,287 S * 2/1987 Screen D8/375
- D296,300 S * 6/1988 Doyle et al. D8/375
- D308,161 S * 5/1990 Daniels D8/375
- D310,622 S * 9/1990 Screen D8/375
- D313,342 S * 1/1991 Screen D8/375
- D340,182 S * 10/1993 Soltani D8/375

- D346,323 S * 4/1994 Morooka D8/375
- D460,345 S * 7/2002 Screen et al. D8/375
- D460,346 S * 7/2002 Screen et al. D8/375
- 6,532,624 B1 * 3/2003 Yang 16/35 R

* cited by examiner

Primary Examiner—Gary D. Watson

Assistant Examiner—Susan Bennett Hattan

(74) *Attorney, Agent, or Firm*—Stephan A. Pendorf; Peter A. Chiabotti; Akerman Senterfitt

(57) **CLAIM**

The ornamental design for a castor, as shown and described.

DESCRIPTION

FIG. 1 is a frontal perspective view of my ornamental design;

FIG. 2 is a rear perspective view of the ornamental design of FIG. 1;

FIG. 3 is a side elevation view of the ornamental design of FIG. 1;

FIG. 4 is a top view of the ornamental design of FIG. 1;

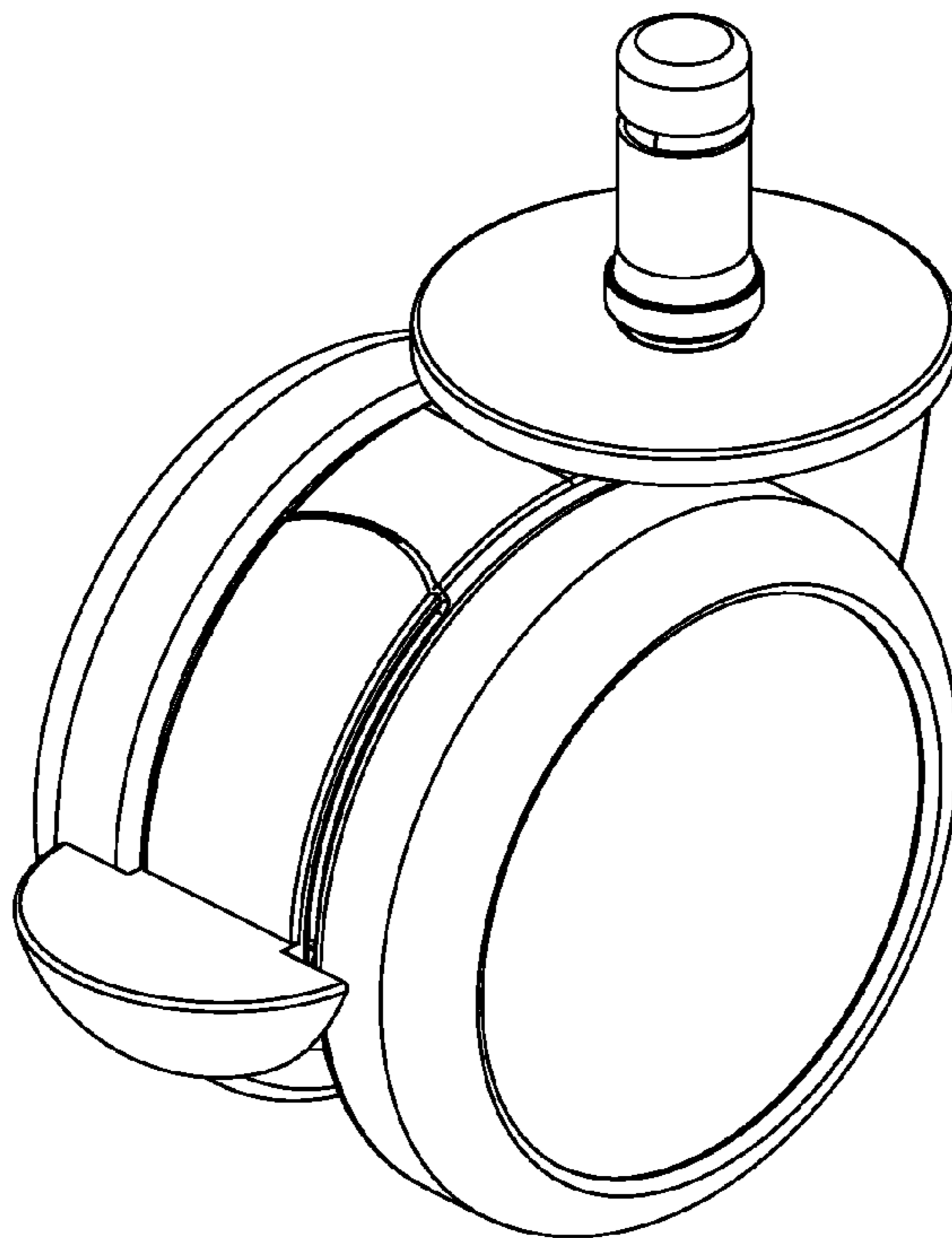
FIG. 5 is a front plan view of the ornamental design of FIG. 1;

FIG. 6 is a rear plan view of the ornamental design of FIG. 1; and,

FIG. 7 is a bottom view of the ornamental design of FIG. 1.

The broken lines in the drawing depict environmental subject matter only and form no part of the claimed design.

1 Claim, 7 Drawing Sheets



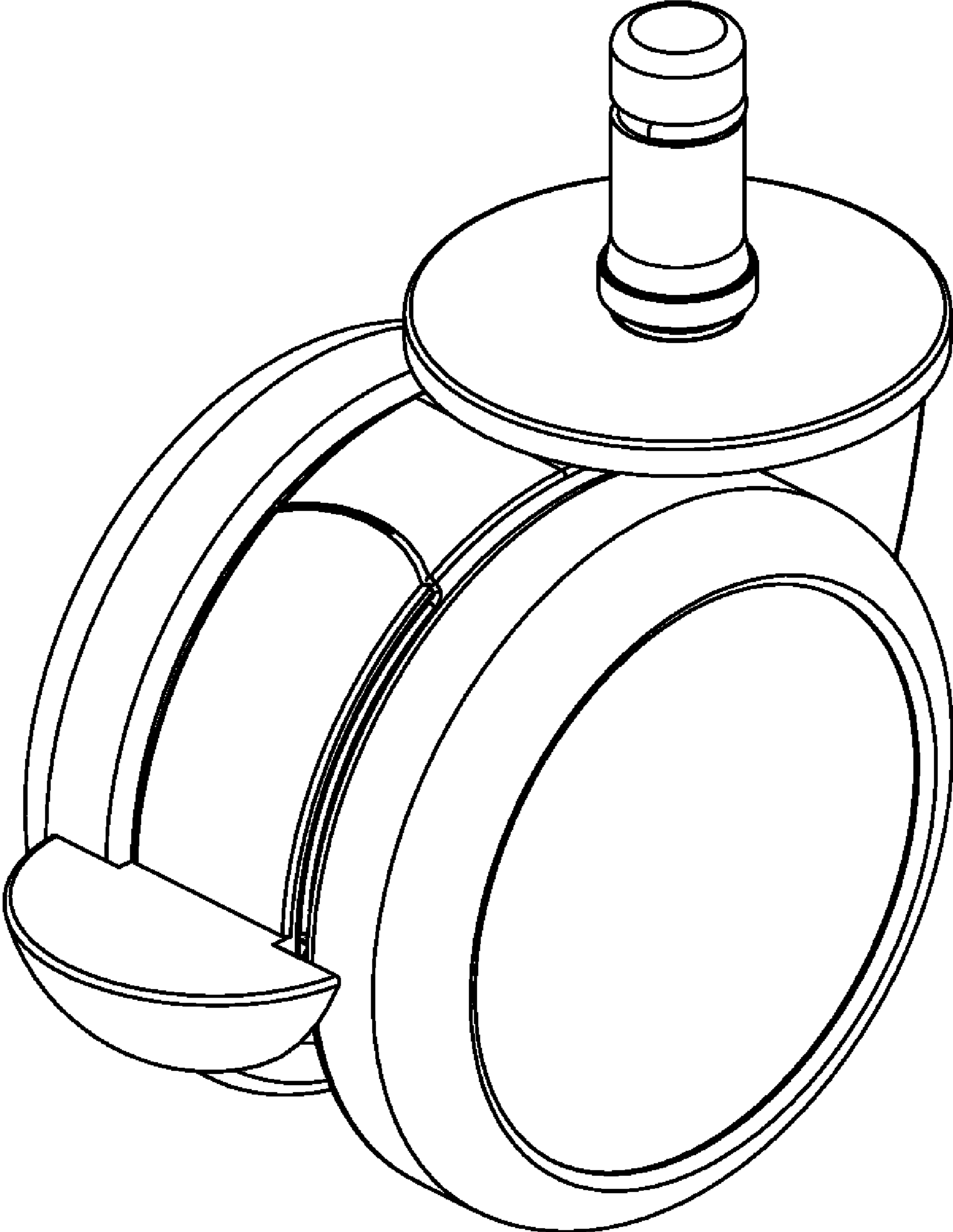


Figure 1

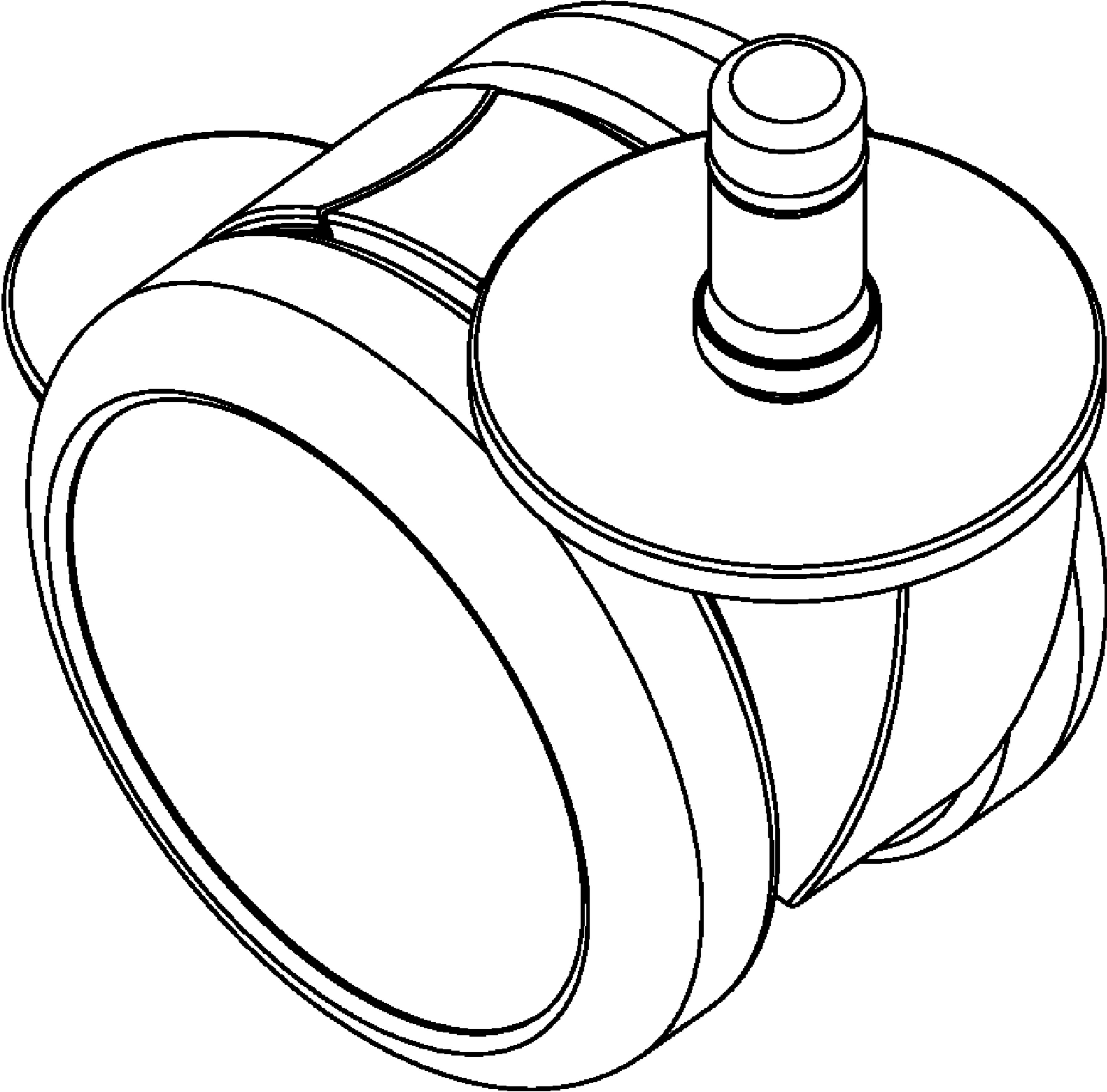


Figure 2

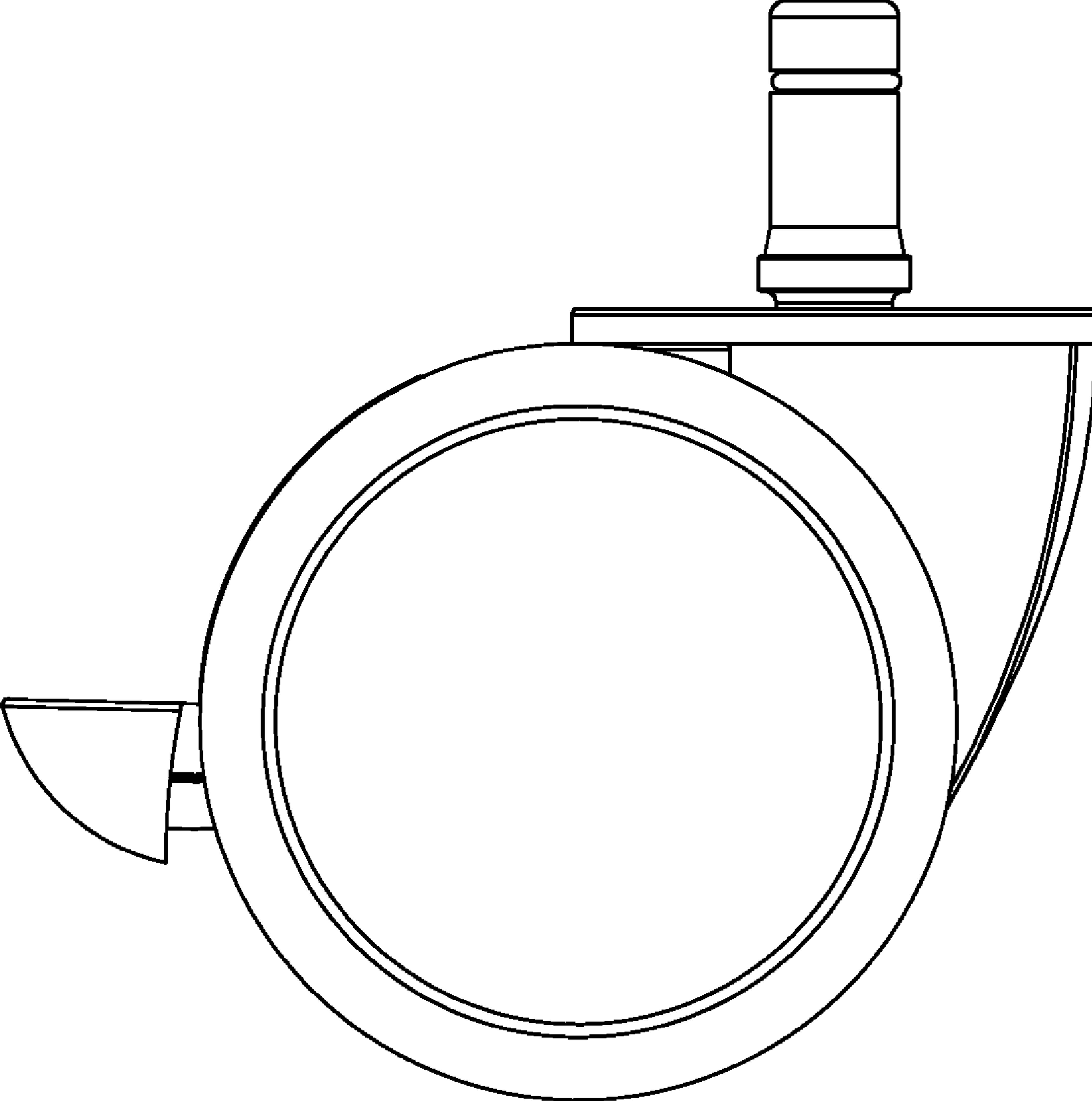


Figure 3

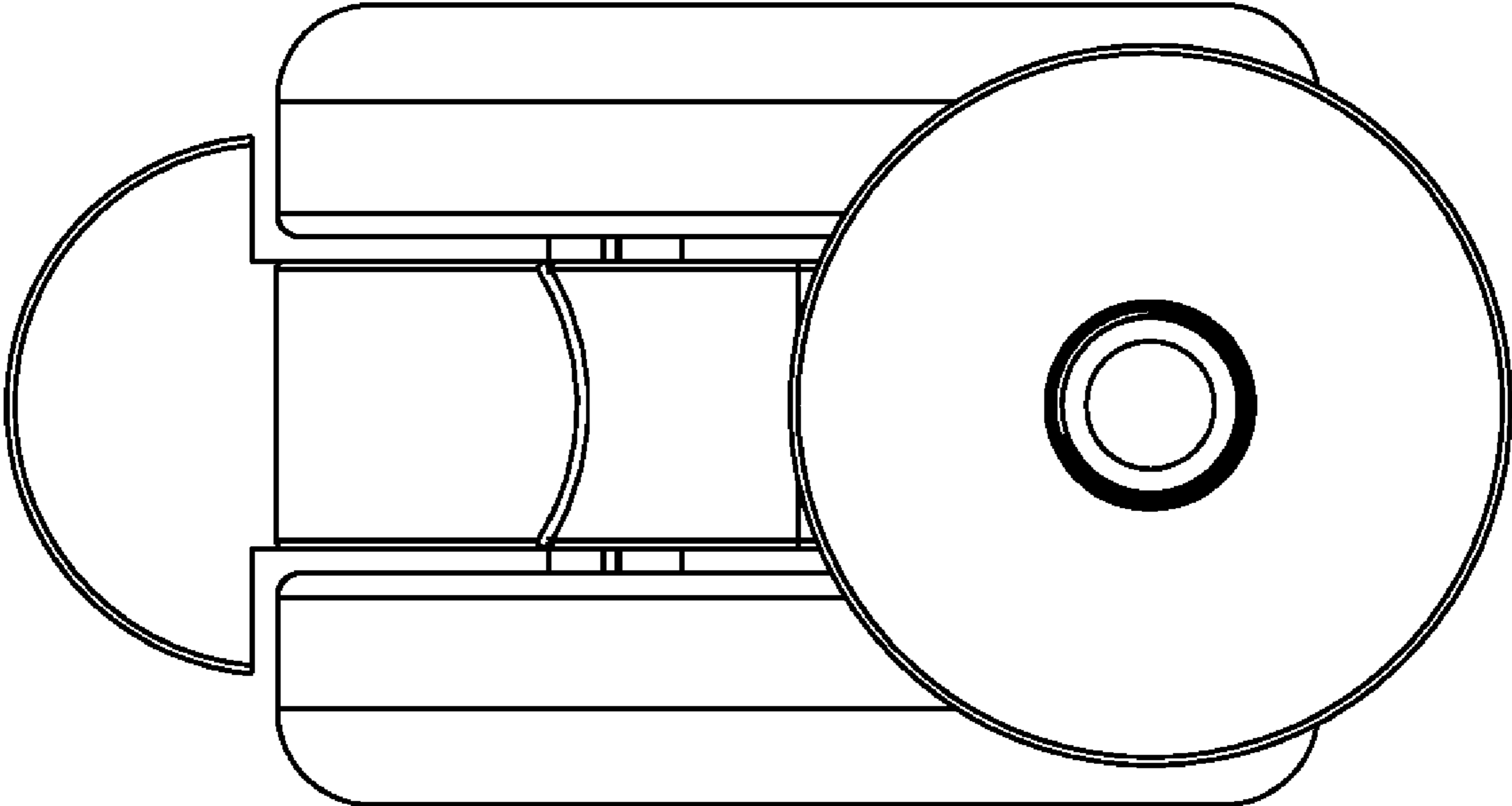


Figure 4

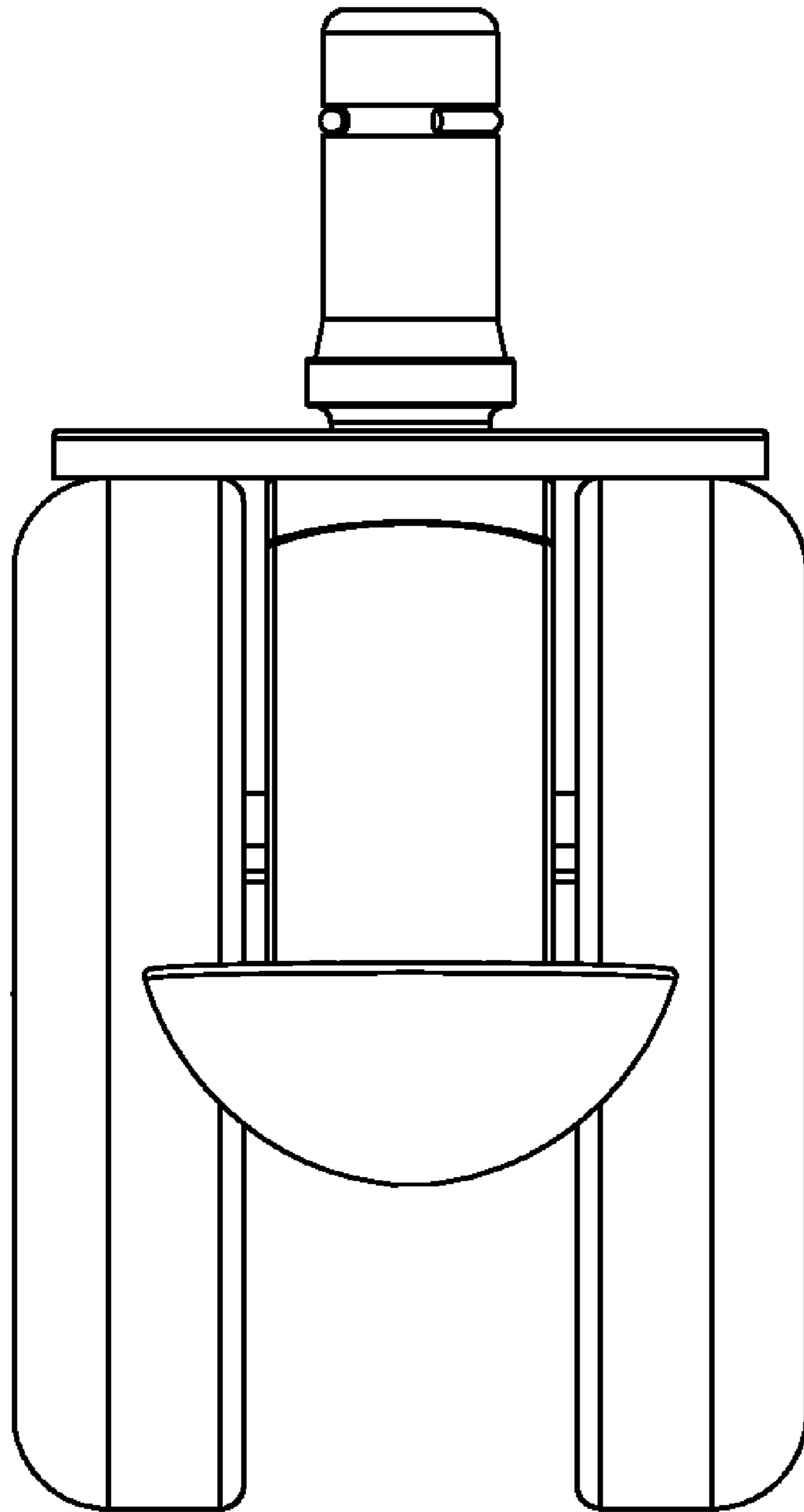


Figure 5

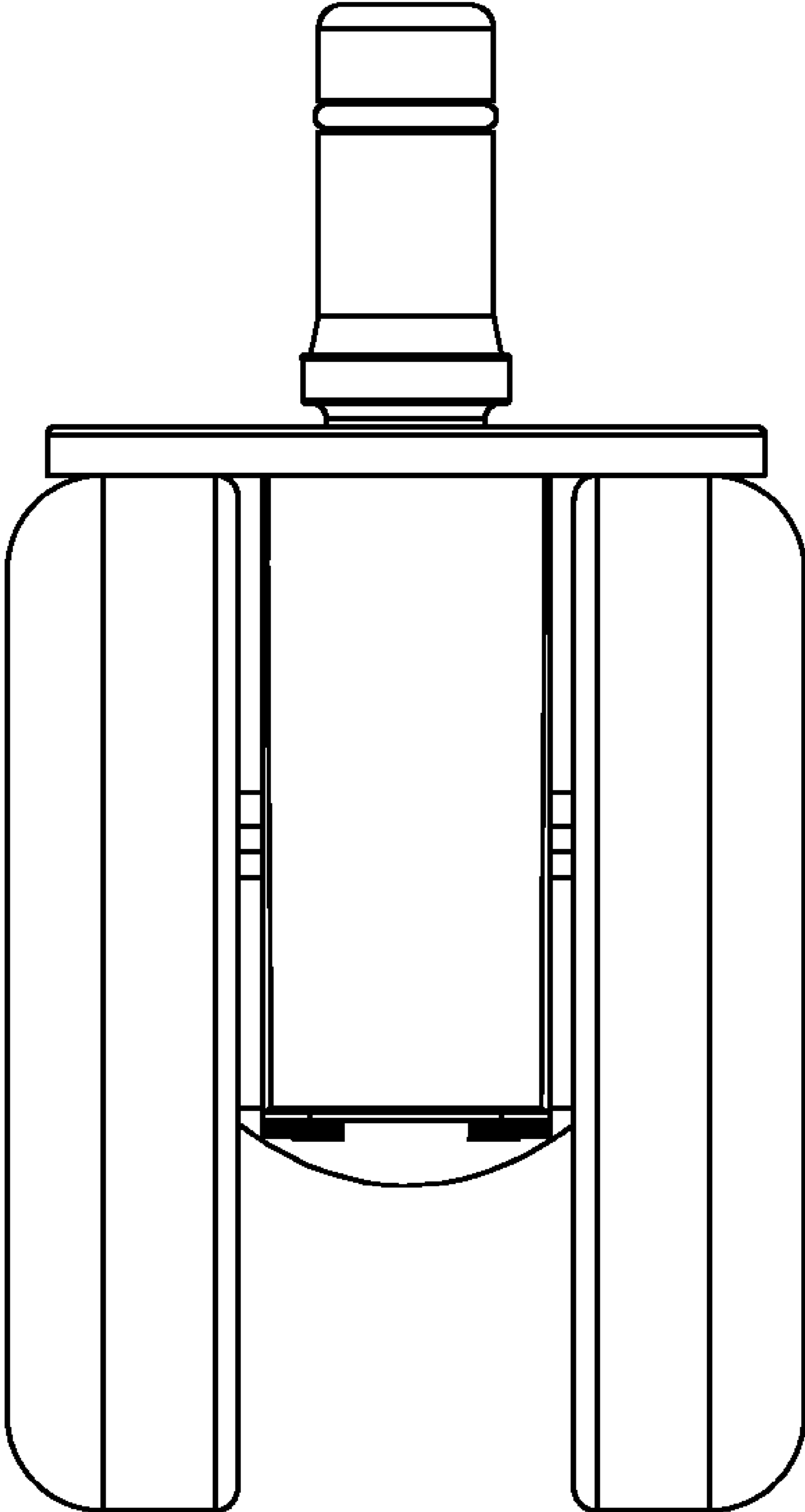


Figure 6

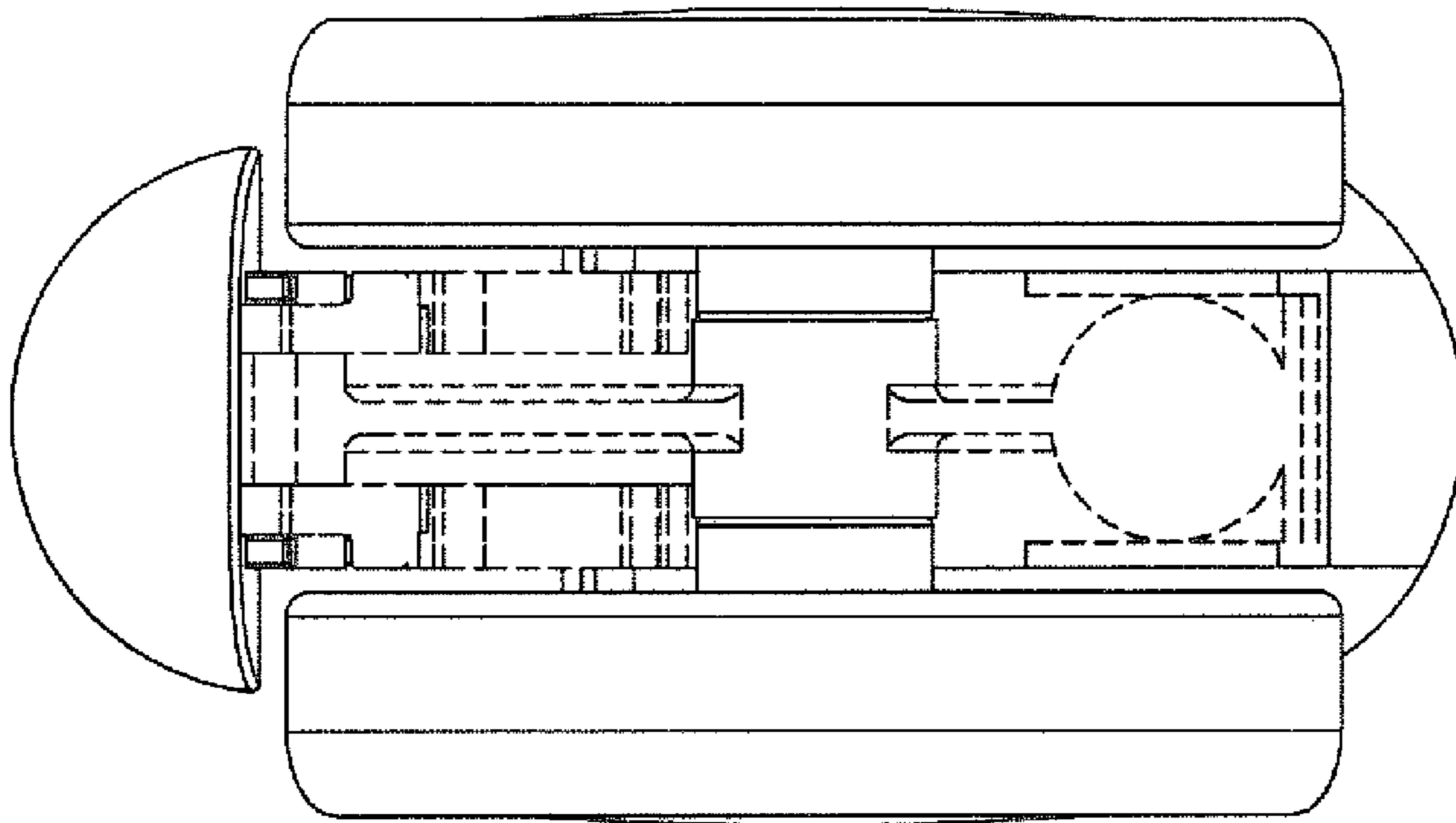


Figure 7