

US00D561013S

(12) **United States Design Patent**  
**Goodman et al.**

(10) **Patent No.:** **US D561,013 S**

(45) **Date of Patent:** **\*\* Feb. 5, 2008**

(54) **HOOK RACK**

(75) Inventors: **Sheldon H. Goodman**, Solon, OH  
(US); **Kent W. Murphy**, Wooster, OH  
(US)

(73) Assignee: **Spectrum Diversified Designs, Inc.**,  
Streetsboro, OH (US)

(\*\*) Term: **14 Years**

(21) Appl. No.: **29/255,637**

(22) Filed: **Mar. 10, 2006**

(51) **LOC (8) Cl.** ..... **08-05**

(52) **U.S. Cl.** ..... **D8/372**

(58) **Field of Classification Search** ..... D8/370,  
D8/371, 372; 248/303, 227.4; D6/320, 323,  
D6/566, 567, 569; 211/30, 31, 34, 35, 86,  
211/87

See application file for complete search history.

(56) **References Cited**

U.S. PATENT DOCUMENTS

843,633	A *	2/1907	Schoonmaker	.....	248/303
D324,314	S *	3/1992	Licari et al.	.....	D6/323
D355,841	S *	2/1995	Goodman et al.	.....	D8/372
D355,842	S *	2/1995	Goodman et al.	.....	D8/372
D387,569	S *	12/1997	Goodman et al.	.....	D6/323
D390,012	S *	2/1998	Goodman et al.	.....	D6/323
D419,428	S *	1/2000	Goodman et al.	.....	D8/372
D421,382	S *	3/2000	Abdi	.....	D8/372
D422,484	S *	4/2000	Goodman et al.	.....	D8/372
D436,839	S *	1/2001	Goodman et al.	.....	D8/372

D459,979	S *	7/2002	Goodman et al.	.....	D8/372
D461,706	S *	8/2002	Goodman et al.	.....	D8/372
D465,406	S *	11/2002	Goodman et al.	.....	D8/372
D465,998	S *	11/2002	Goodman et al.	.....	D8/372
2007/0131832	A1 *	6/2007	Adams	.....	248/227.4

\* cited by examiner

*Primary Examiner*—Gary D. Watson

*Assistant Examiner*—Barbara B Lohr

(74) *Attorney, Agent, or Firm*—Pearne & Gordon LLP

(57) **CLAIM**

The ornamental design for a hook rack, as shown and described.

**DESCRIPTION**

FIG. 1 is a perspective view of a hook rack showing our new design;

FIG. 2 is a front elevational view thereof;

FIG. 3 is a top plan view thereof;

FIG. 4 is a side elevational view thereof;

FIG. 5 is a perspective view of a hook rack in accordance with a second embodiment of our invention;

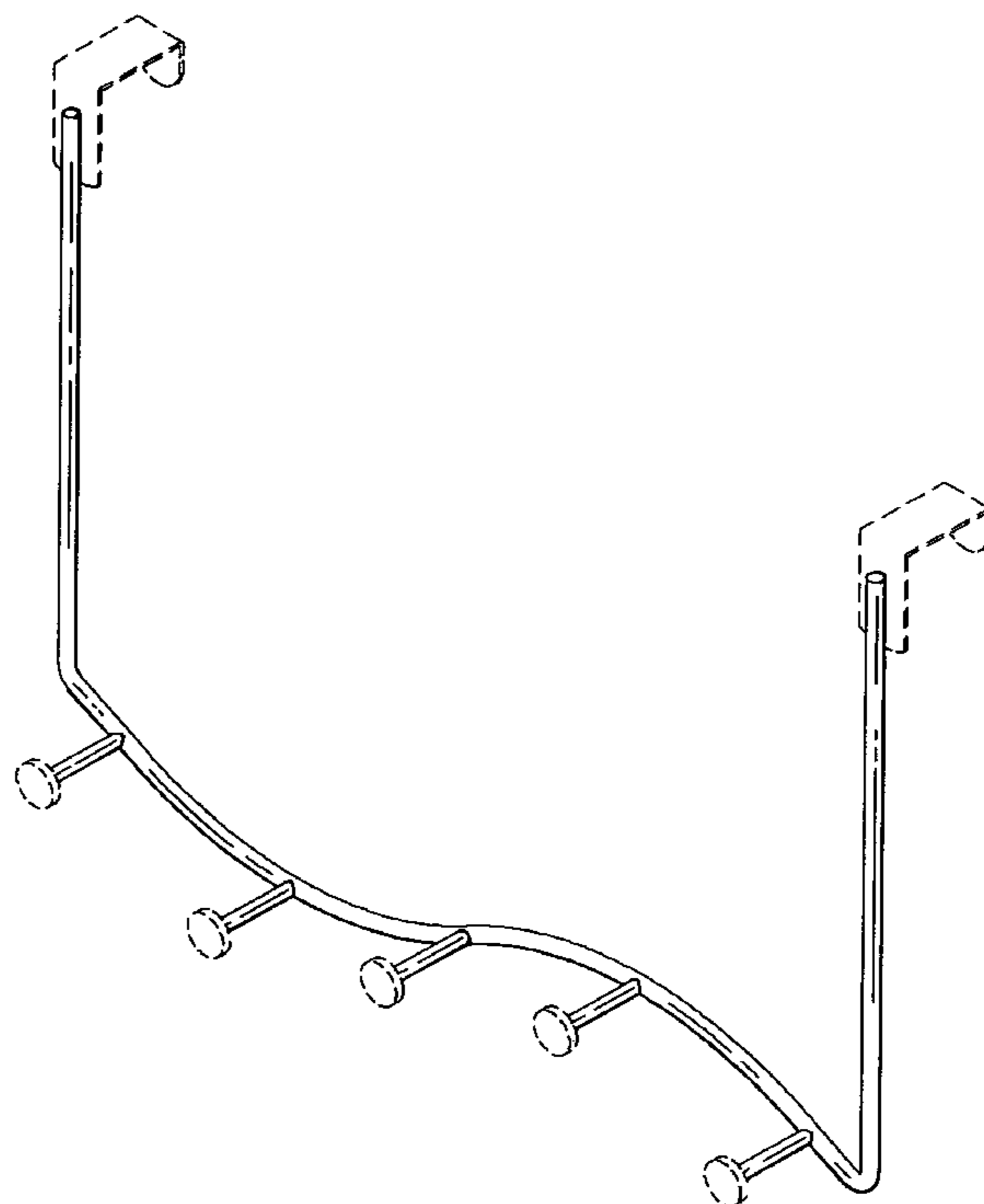
FIG. 6 is a top plan view thereof;

FIG. 7 is a front elevational view thereof; and,

FIG. 8 is a side elevational view thereof.

The broken-line disclosure of elements in the views is for illustrative purposes only and forms no part of the claimed design.

**1 Claim, 4 Drawing Sheets**



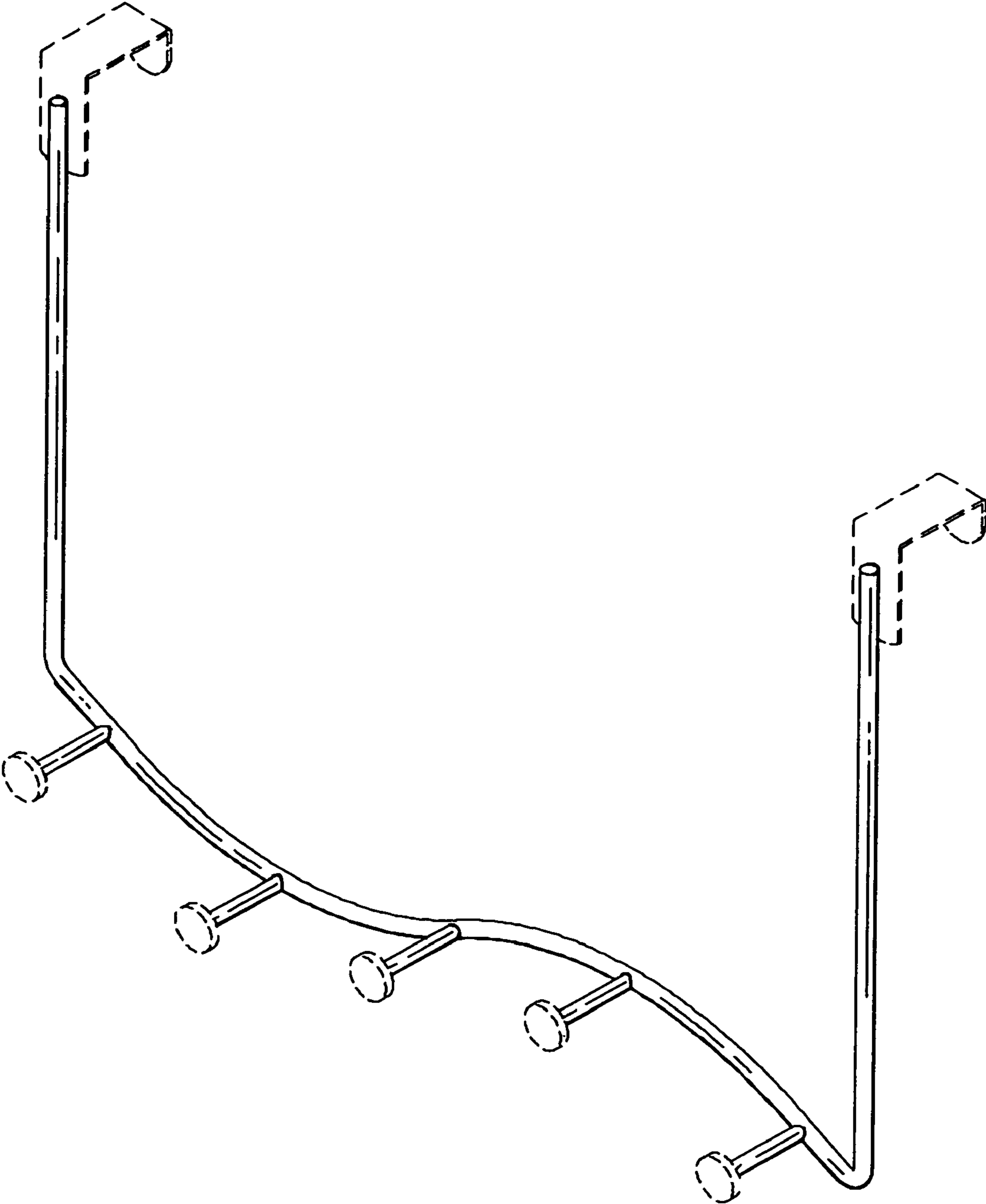


Fig. 1

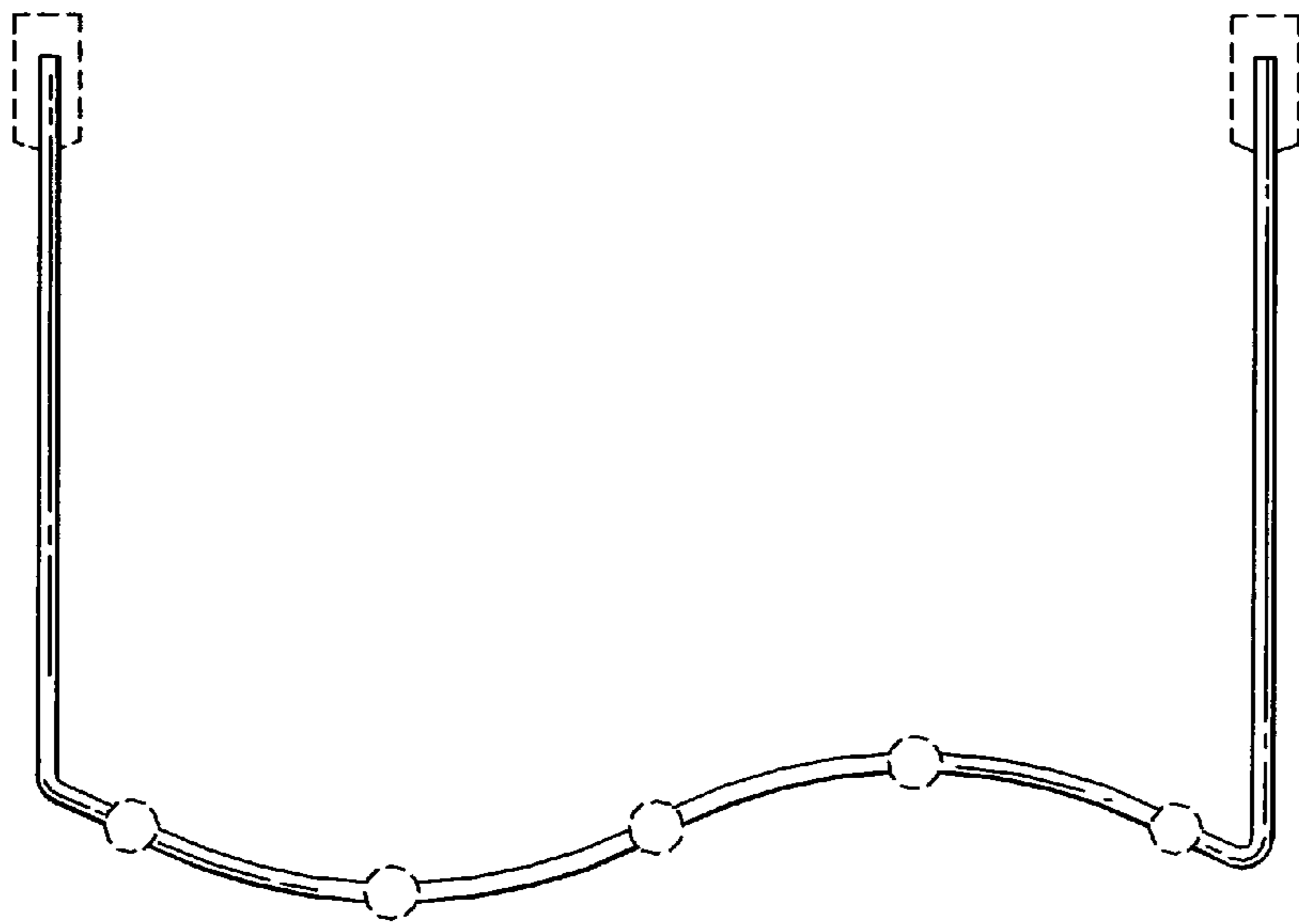


Fig. 2

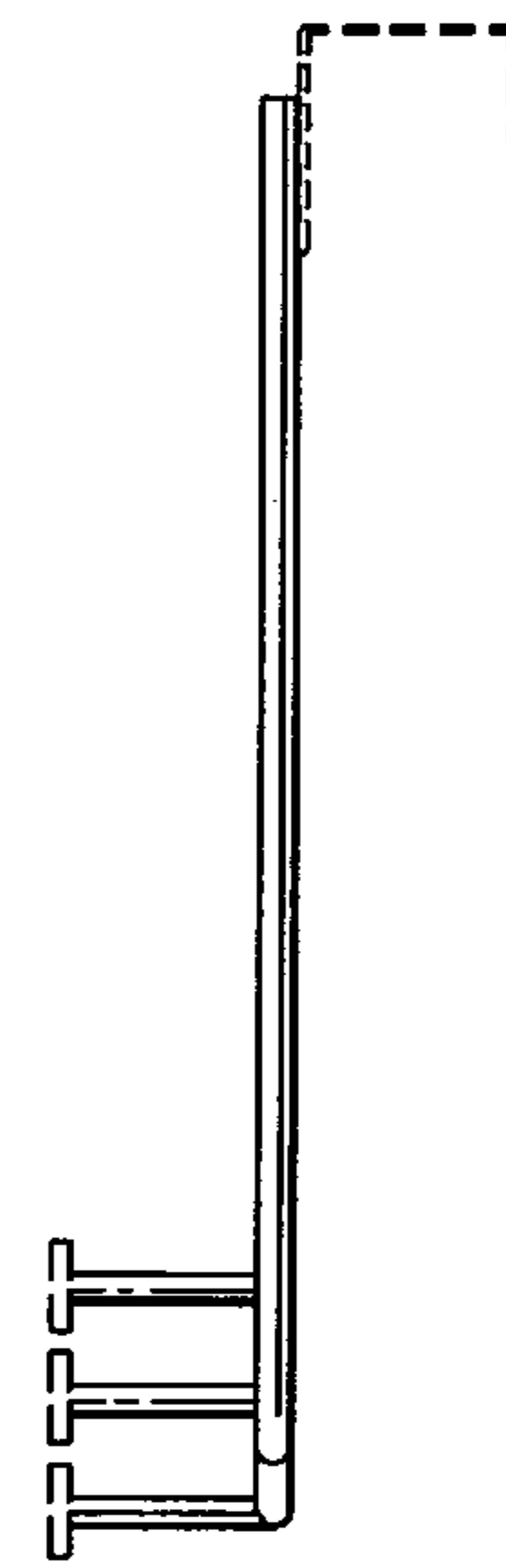


Fig. 4

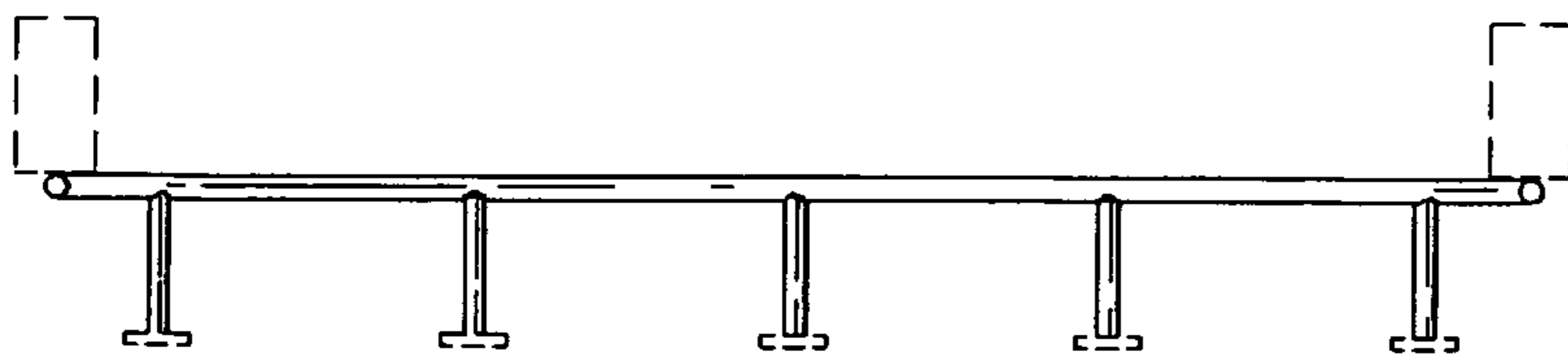


Fig. 3

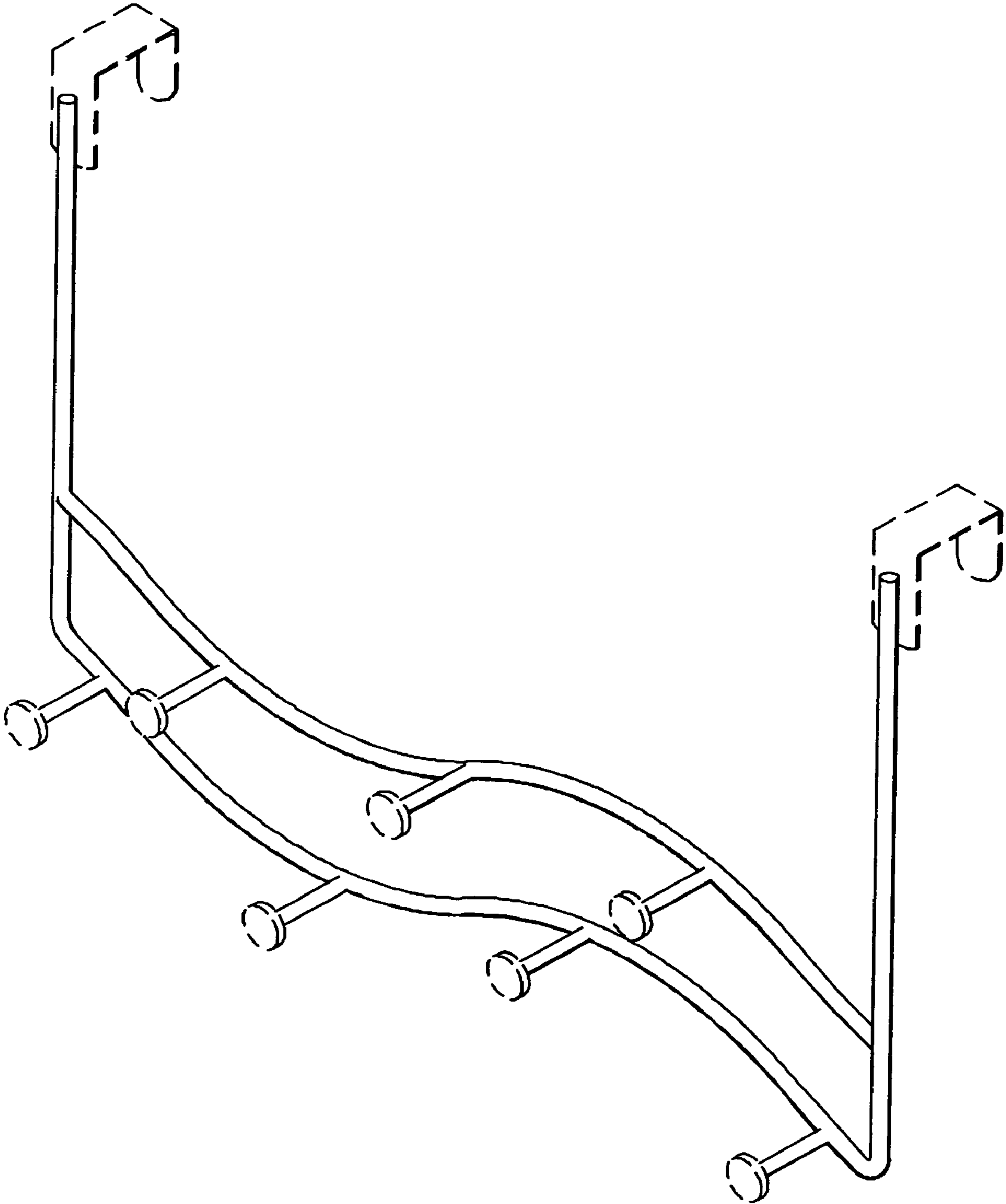


Fig. 5

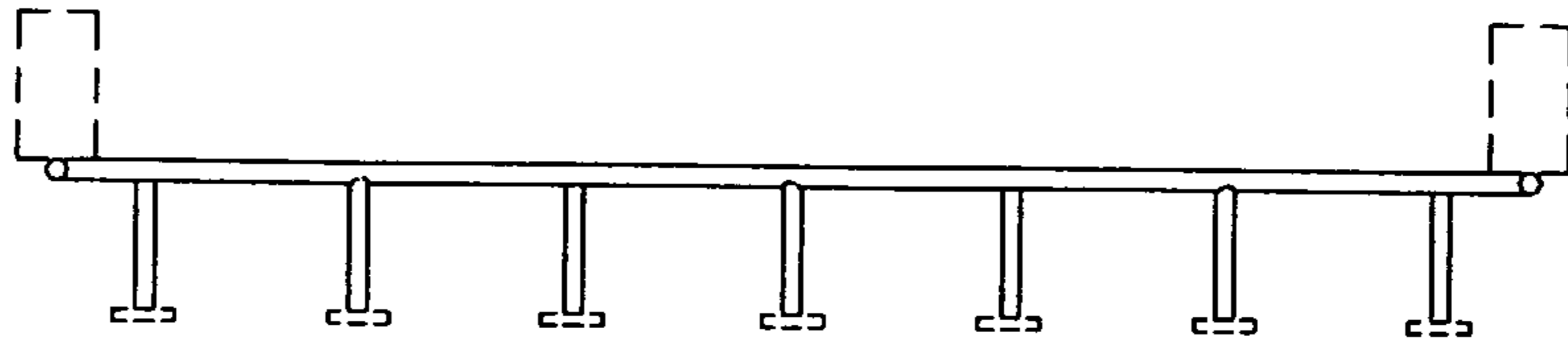


Fig. 6

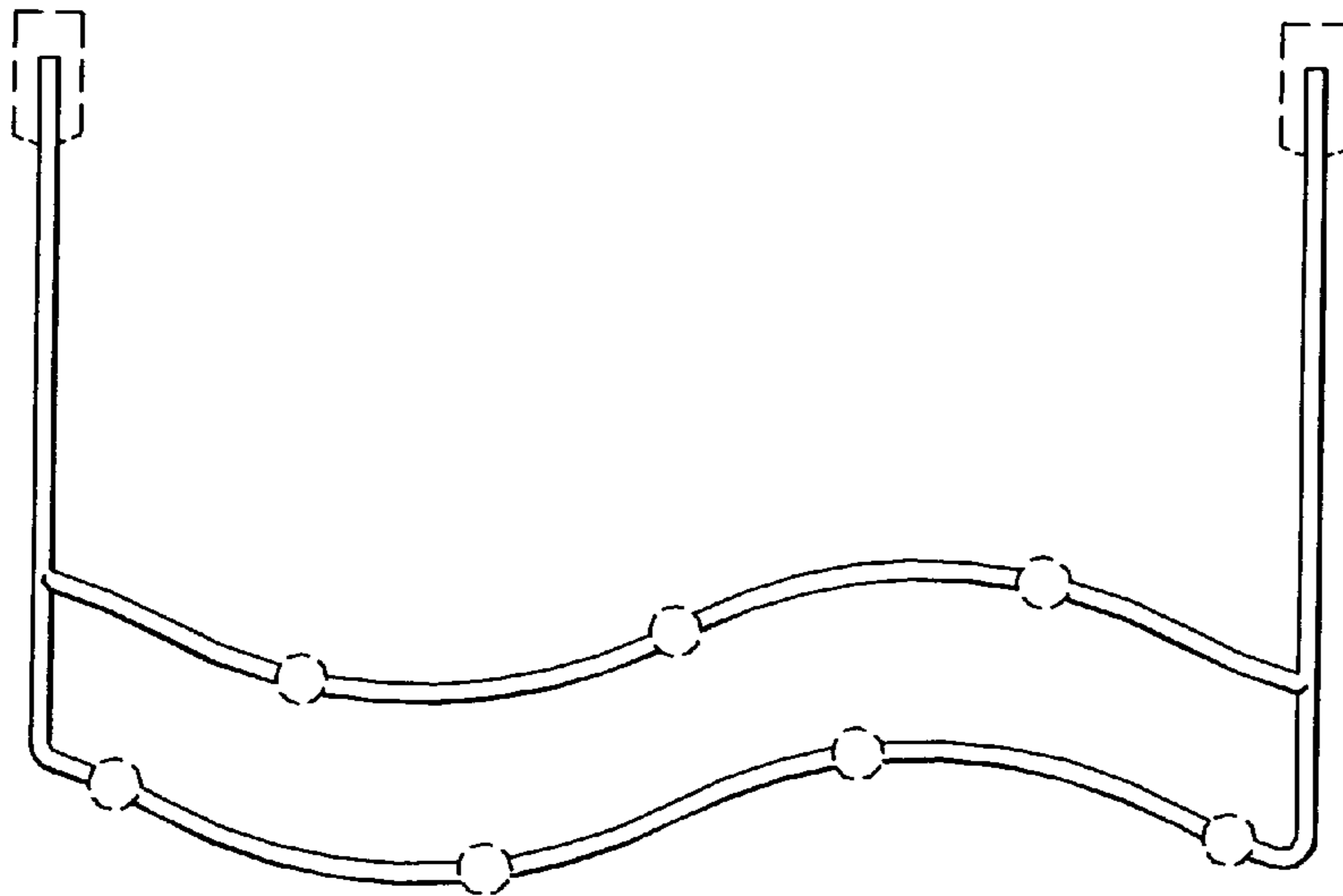


Fig. 7

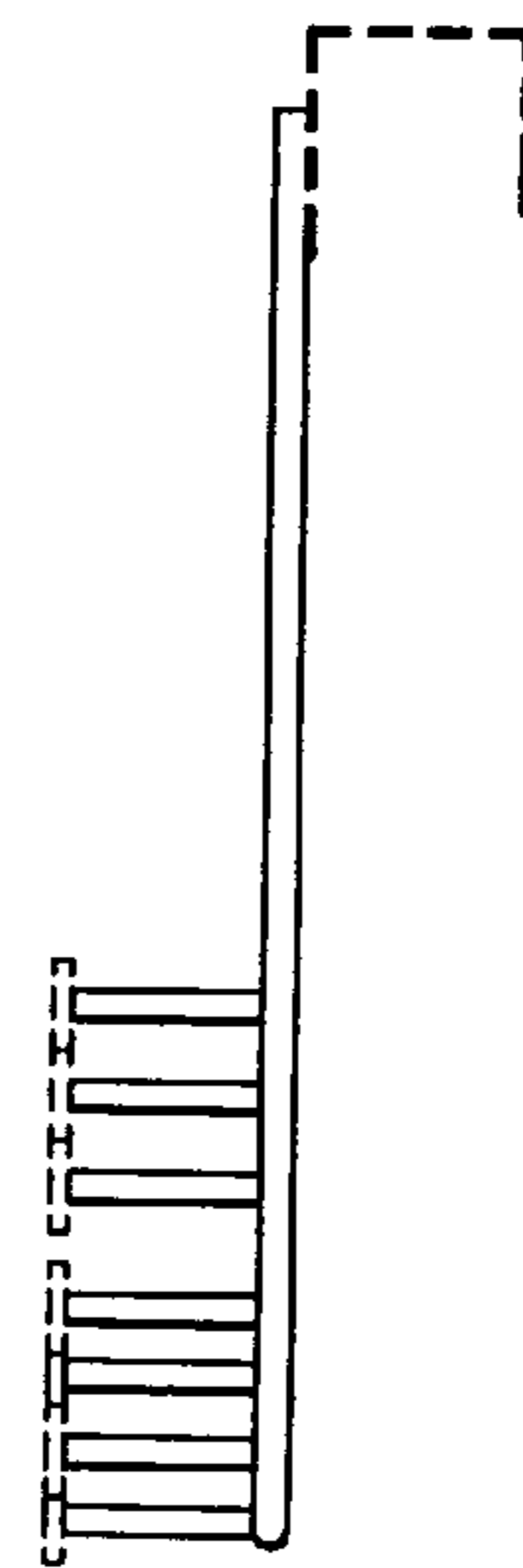


Fig. 8