



US00D561011S

(12) **United States Design Patent** (10) **Patent No.:** **US D561,011 S**
Van Handel (45) **Date of Patent:** **** Feb. 5, 2008**

(54) **HOOK**

2005/0050695 A1 3/2005 Mackey et al.

(75) Inventor: **Mark Van Handel**, Milwaukee, WI (US)

FOREIGN PATENT DOCUMENTS

EP	1329646	7/2003
FR	2208805	6/1974

(73) Assignee: **Master Lock Company LLC**, Oak Creek, WI (US)

* cited by examiner

(**) Term: **14 Years**

Primary Examiner—Holly H. Baynham

(21) Appl. No.: **29/244,698**

(74) *Attorney, Agent, or Firm*—Calfee, Halter & Griswold LLP

(22) Filed: **Dec. 13, 2005**

(57) **CLAIM**

(51) **LOC (8) Cl.** **08-05**

The ornamental design for a hook, as shown and described.

(52) **U.S. Cl.** **D8/367**

DESCRIPTION

(58) **Field of Classification Search** D8/367,
D8/370; 248/302, 303
See application file for complete search history.

FIG. 1 is a perspective view of a hook of the new design, showing a clip in phantom lines attached to the hook;

FIG. 2 is a right side view of the hook of FIG. 1;

FIG. 3 is a left side view of the hook of FIG. 1;

FIG. 4 is a rear view of the hook of FIG. 1;

FIG. 5 is a front view of the hook of FIG. 1;

FIG. 6 is a top view of the hook of FIG. 1;

FIG. 7 is a bottom view of the hook of FIG. 1;

FIG. 8 is a perspective view of yet another hook of the new design;

FIG. 9 is a right side view of the hook of FIG. 8;

FIG. 10 is a left side view of the hook of FIG. 8;

FIG. 11 is a rear view of the hook of FIG. 8;

FIG. 12 is a front view of the hook of FIG. 8;

FIG. 13 is a top view of the hook of FIG. 8; and,

FIG. 14 is a bottom view of the hook of FIG. 8.

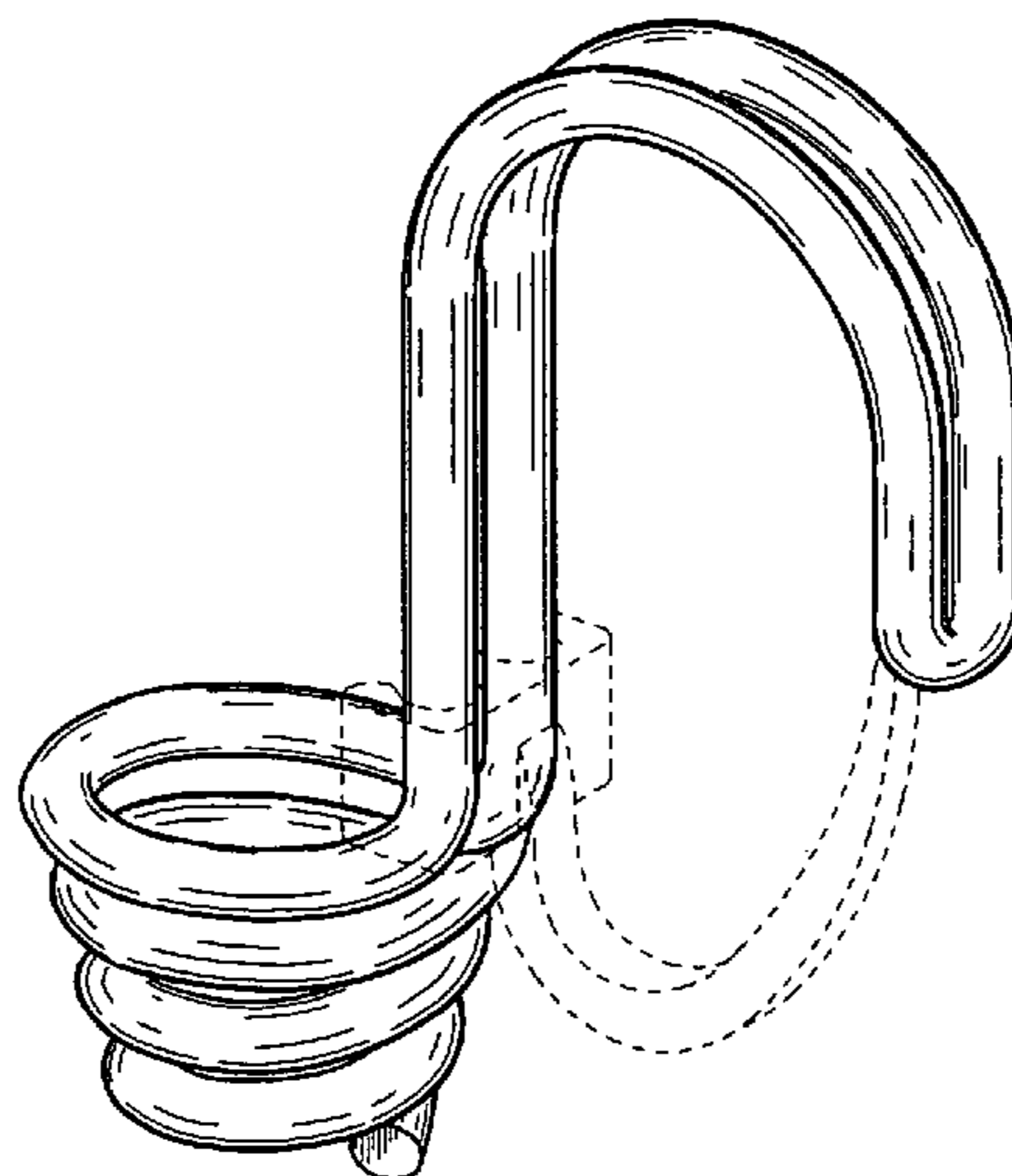
The portions of the Figures shown in phantom lines are not part of the claimed design, but are for illustration purposes only.

(56) **References Cited**

U.S. PATENT DOCUMENTS

D32,573 S *	4/1900	Storrs	D26/141
2,208,152 A *	7/1940	Badhorn	248/303
D260,234 S *	8/1981	Johnson, Jr.	D8/370
4,559,677 A	12/1985	Tracy		
4,831,692 A	5/1989	Chuan		
D307,705 S	5/1990	Mair		
4,995,329 A	2/1991	Kleine		
5,317,788 A	6/1994	Esposito et al.		
5,490,650 A *	2/1996	Pendergrass	248/220.31
5,553,822 A *	9/1996	Barnard et al.	248/302
5,638,584 A	6/1997	De Anfrasio		
D389,036 S *	1/1998	Smiley et al.	D8/370
5,758,392 A	6/1998	Anscher et al.		
5,913,479 A	6/1999	Westwood, III		
D417,386 S	12/1999	Huston		
6,012,204 A	1/2000	Roethler		
6,014,794 A	1/2000	McCoy		
6,328,179 B1	12/2001	Conrado et al.		
D457,420 S *	5/2002	Kalat	D8/370
D458,831 S	6/2002	Selby		
D481,296 S *	10/2003	Chen	D8/367

1 Claim, 4 Drawing Sheets



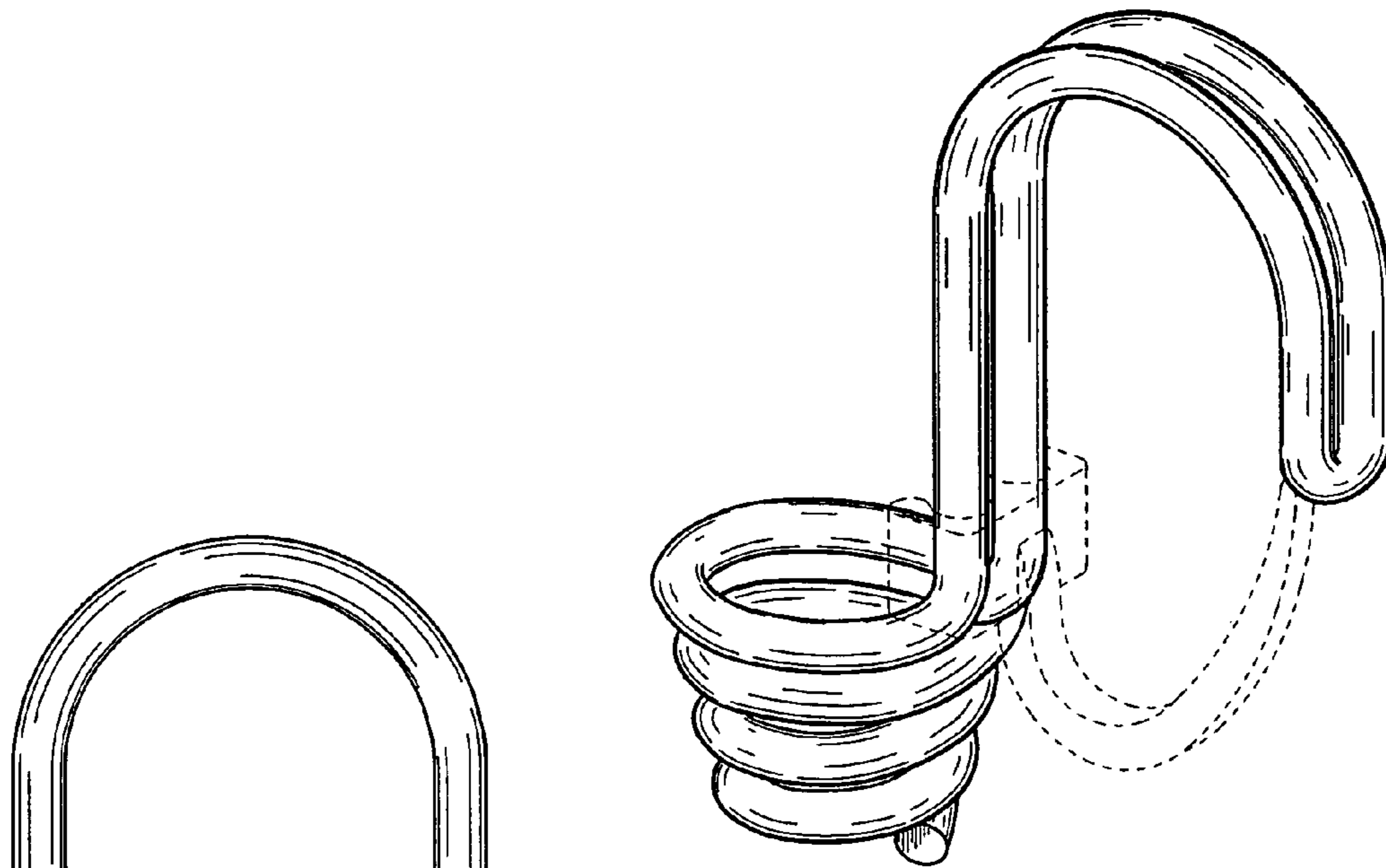


Figure 1

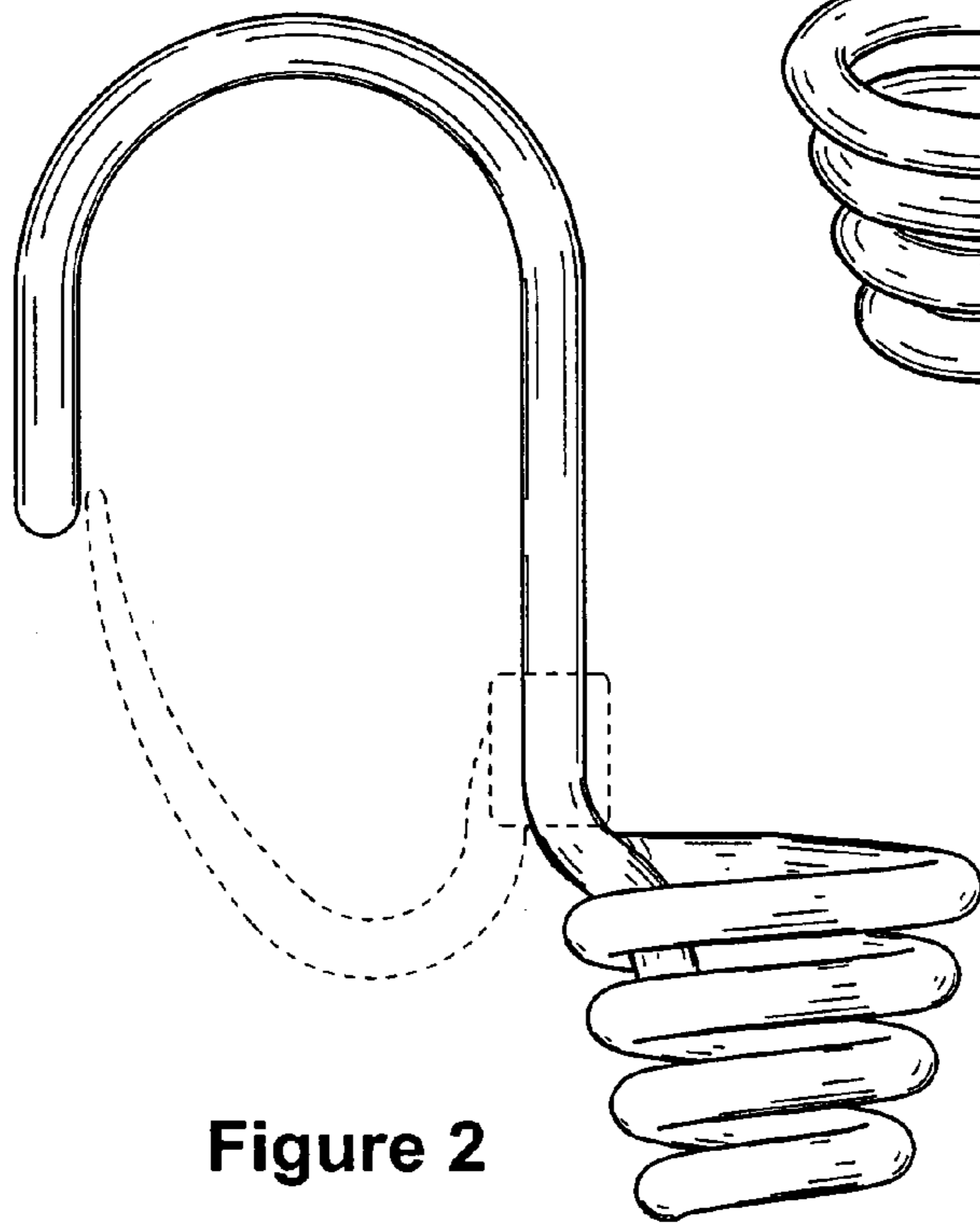


Figure 2

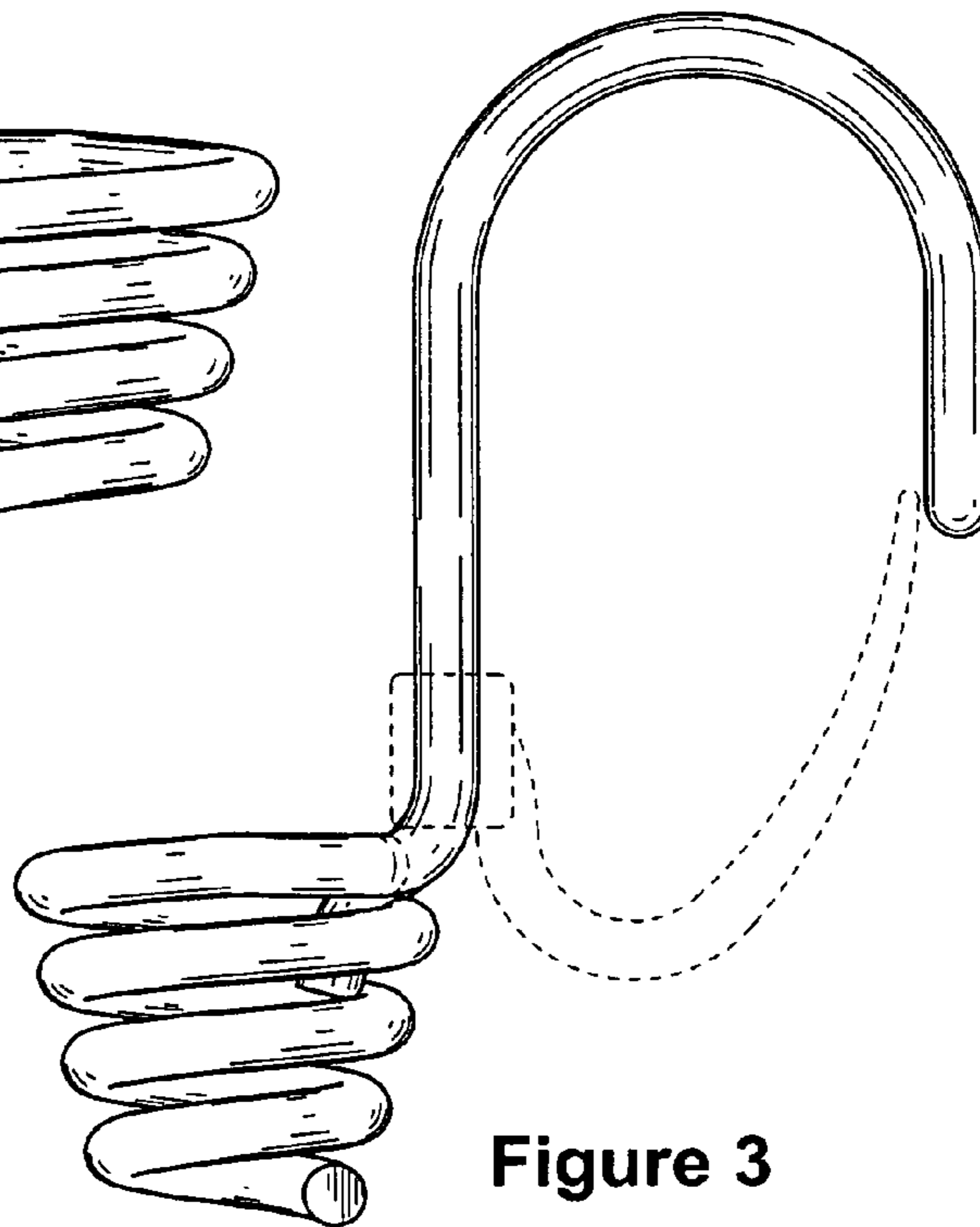


Figure 3

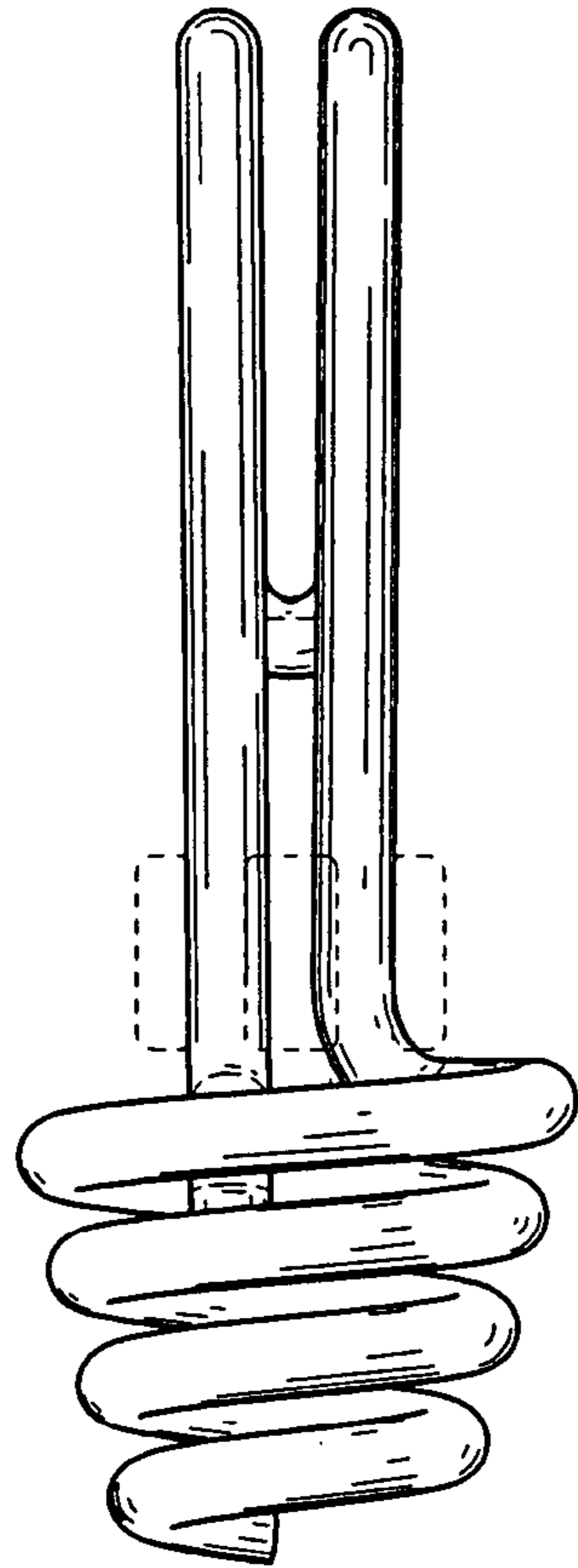


Figure 4

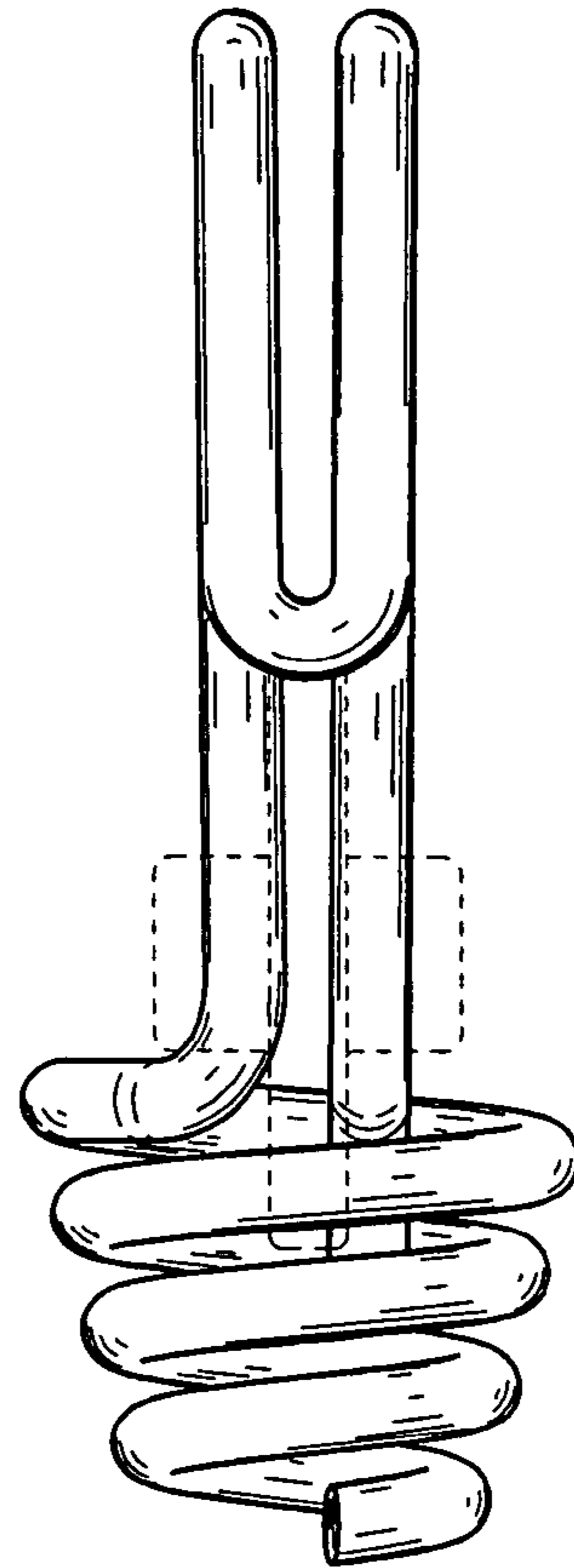


Figure 5

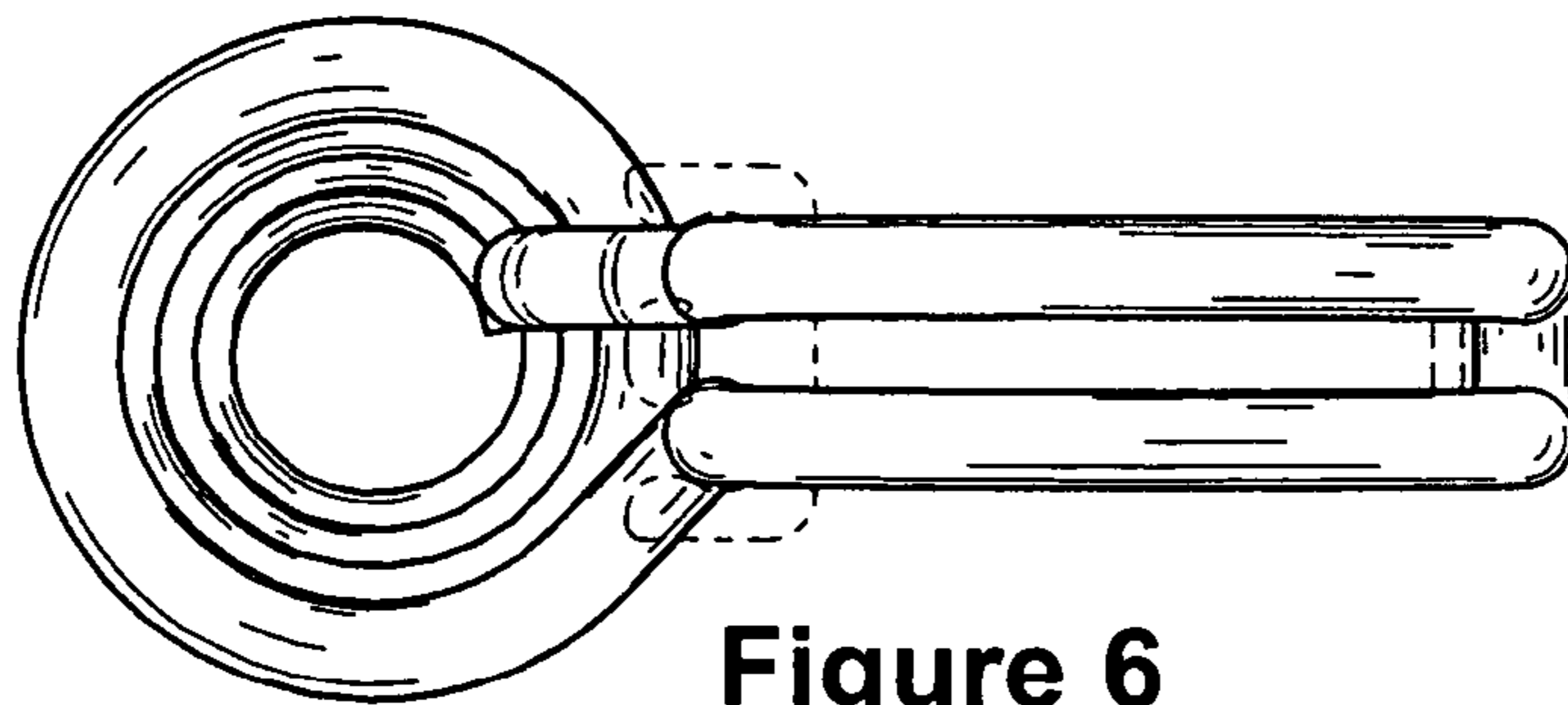


Figure 6

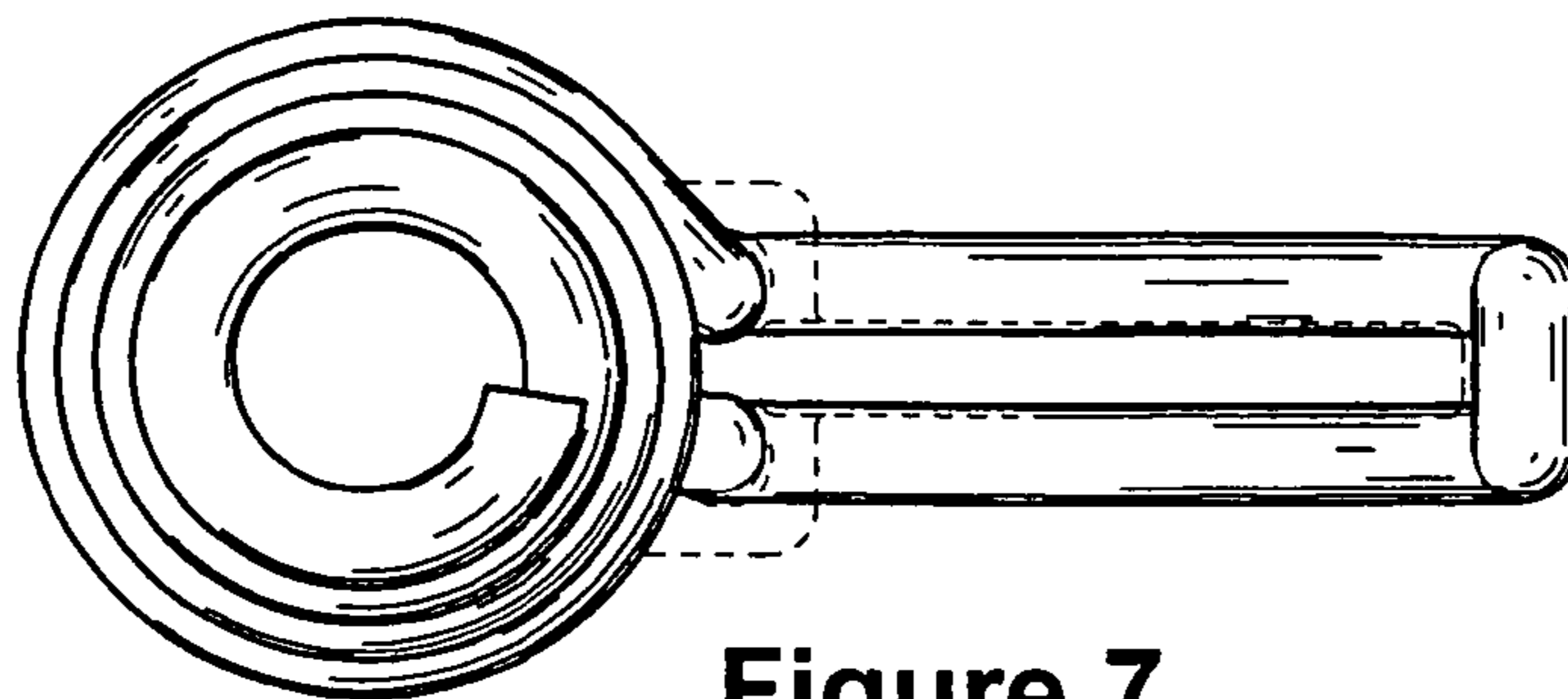


Figure 7

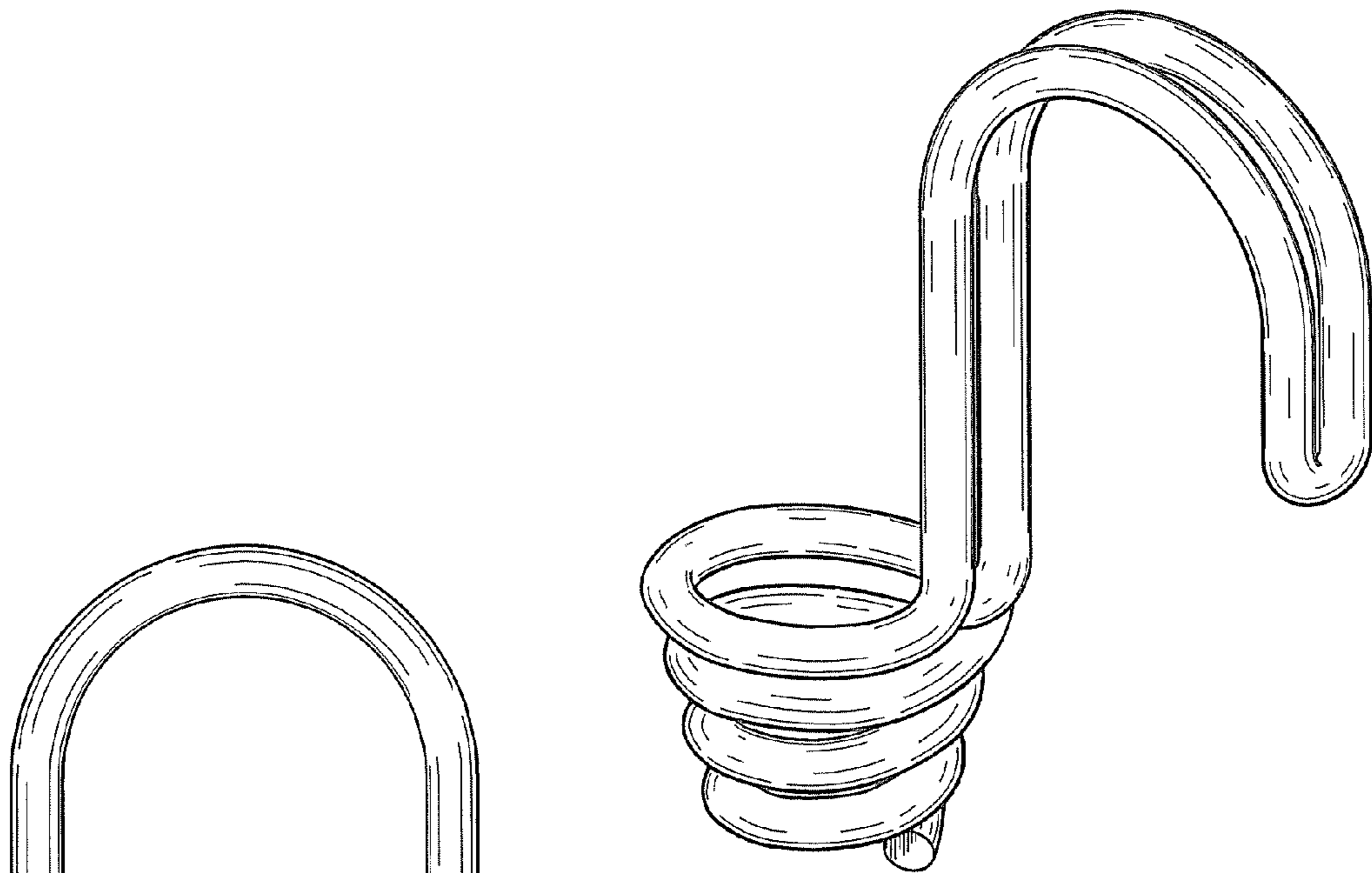


Figure 8

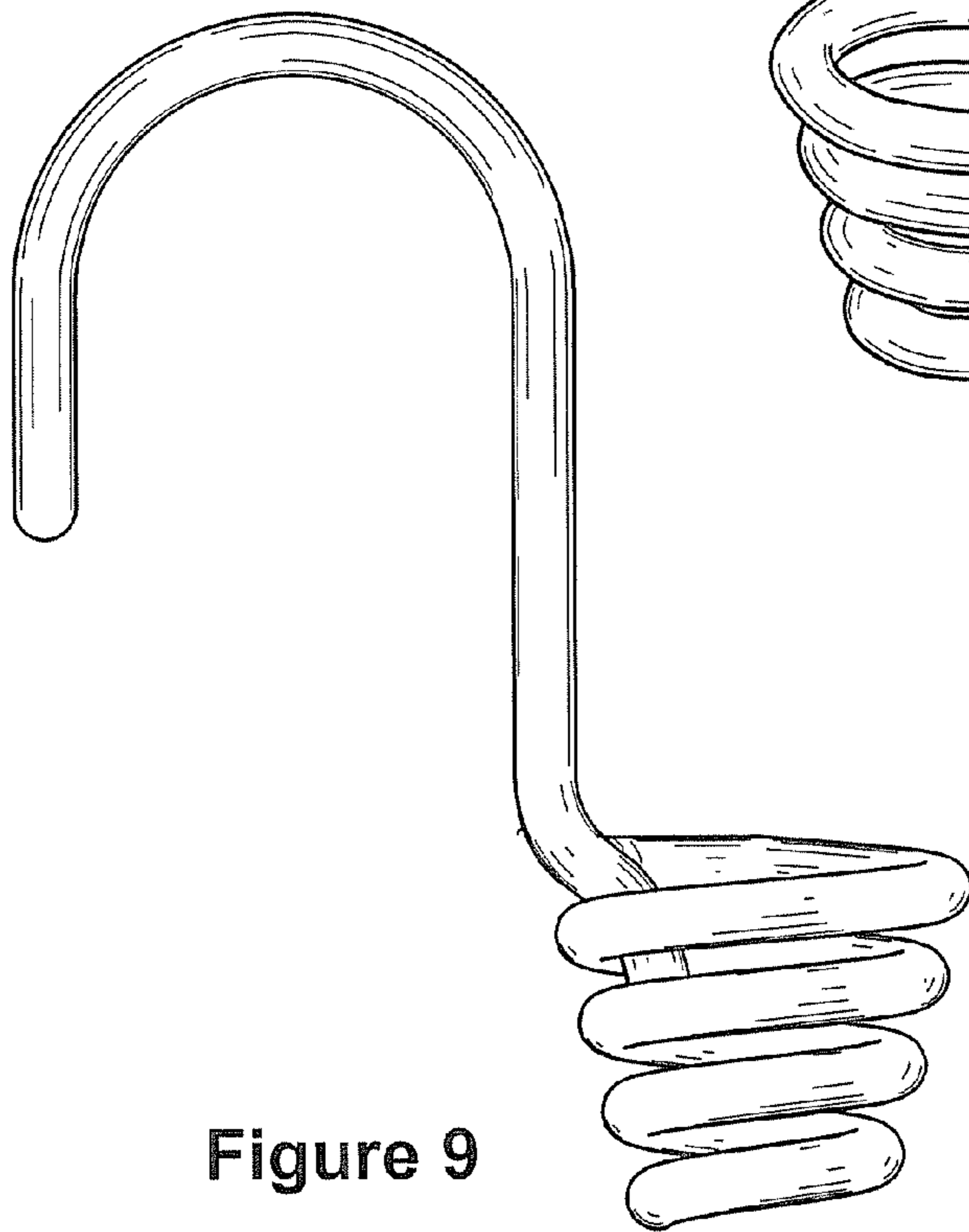


Figure 9

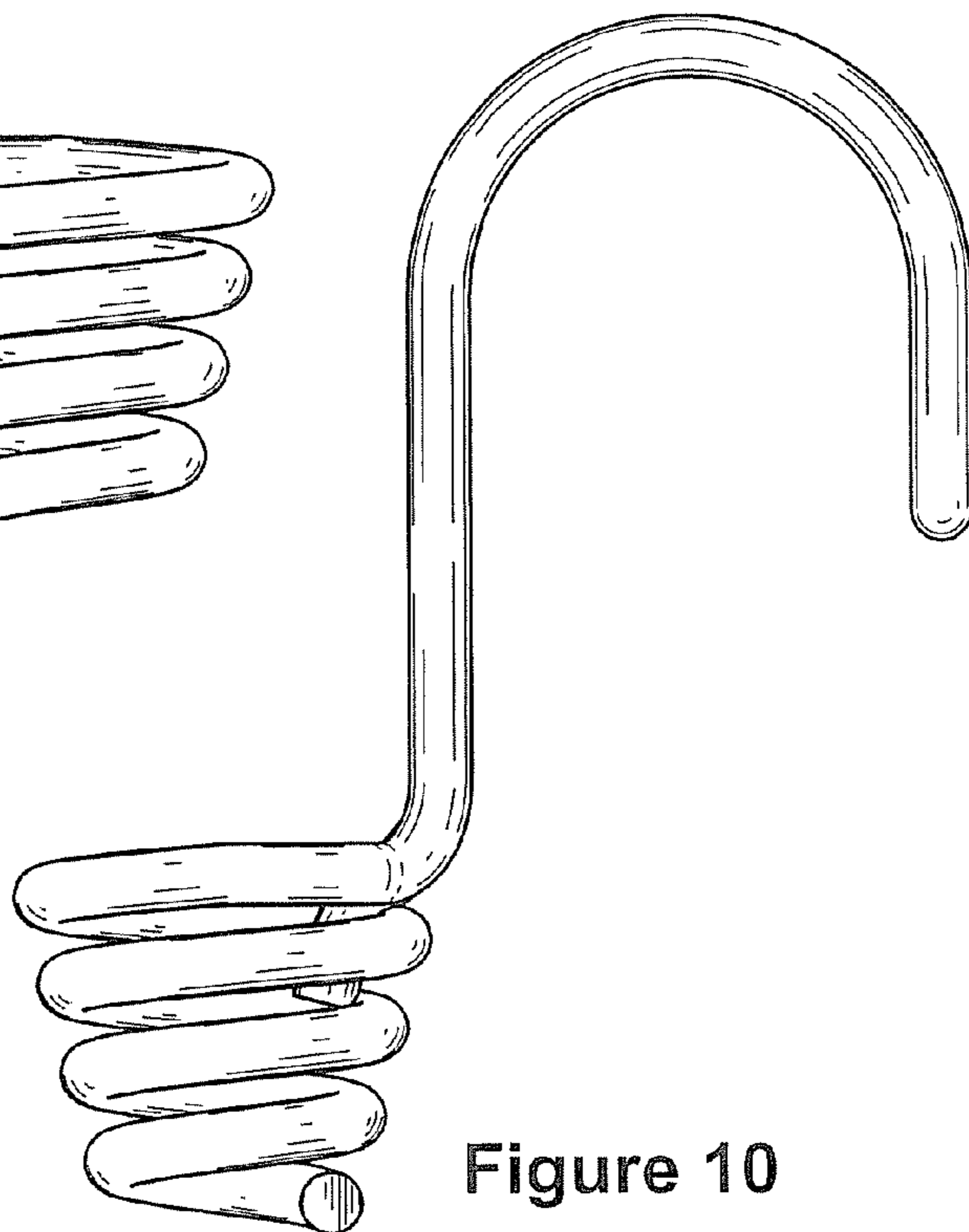


Figure 10

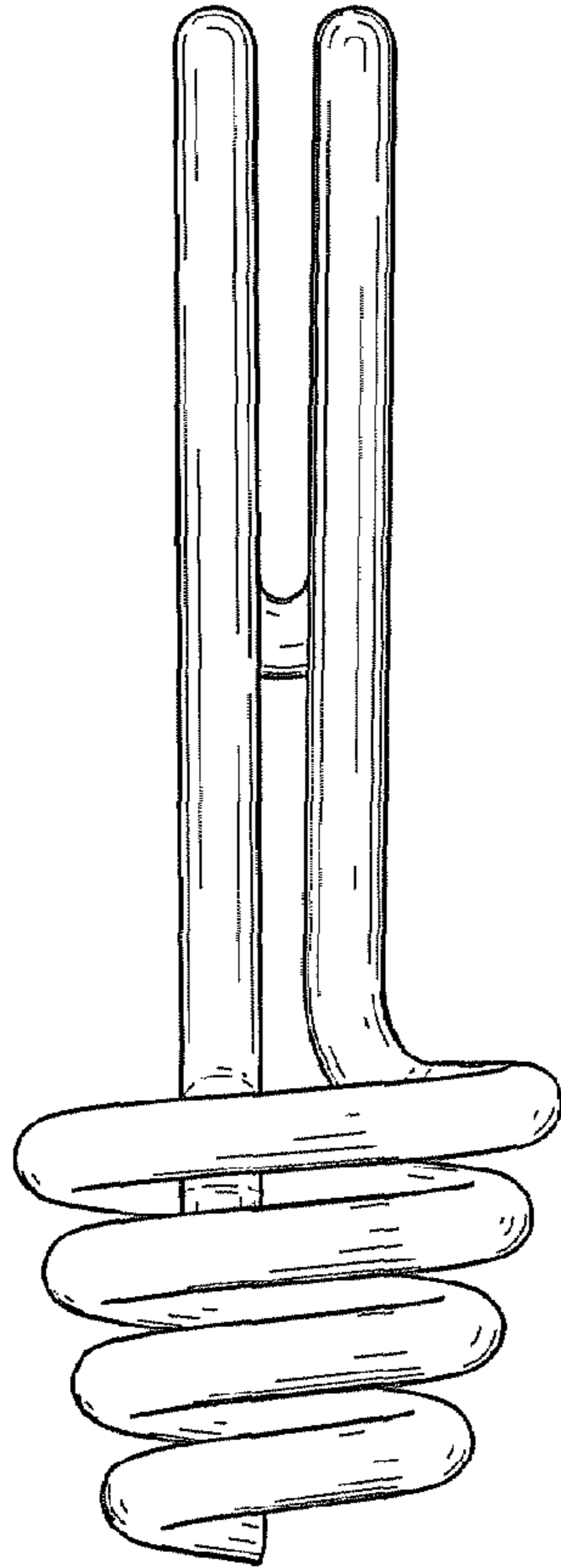


Figure 11

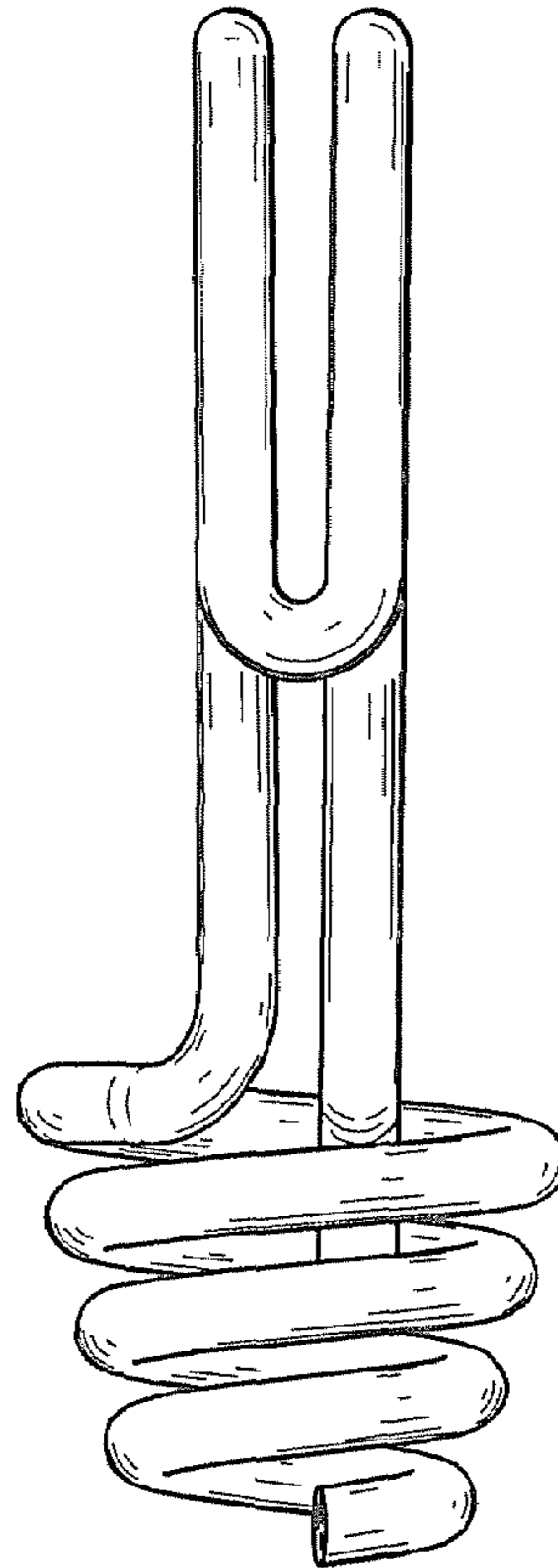


Figure 12

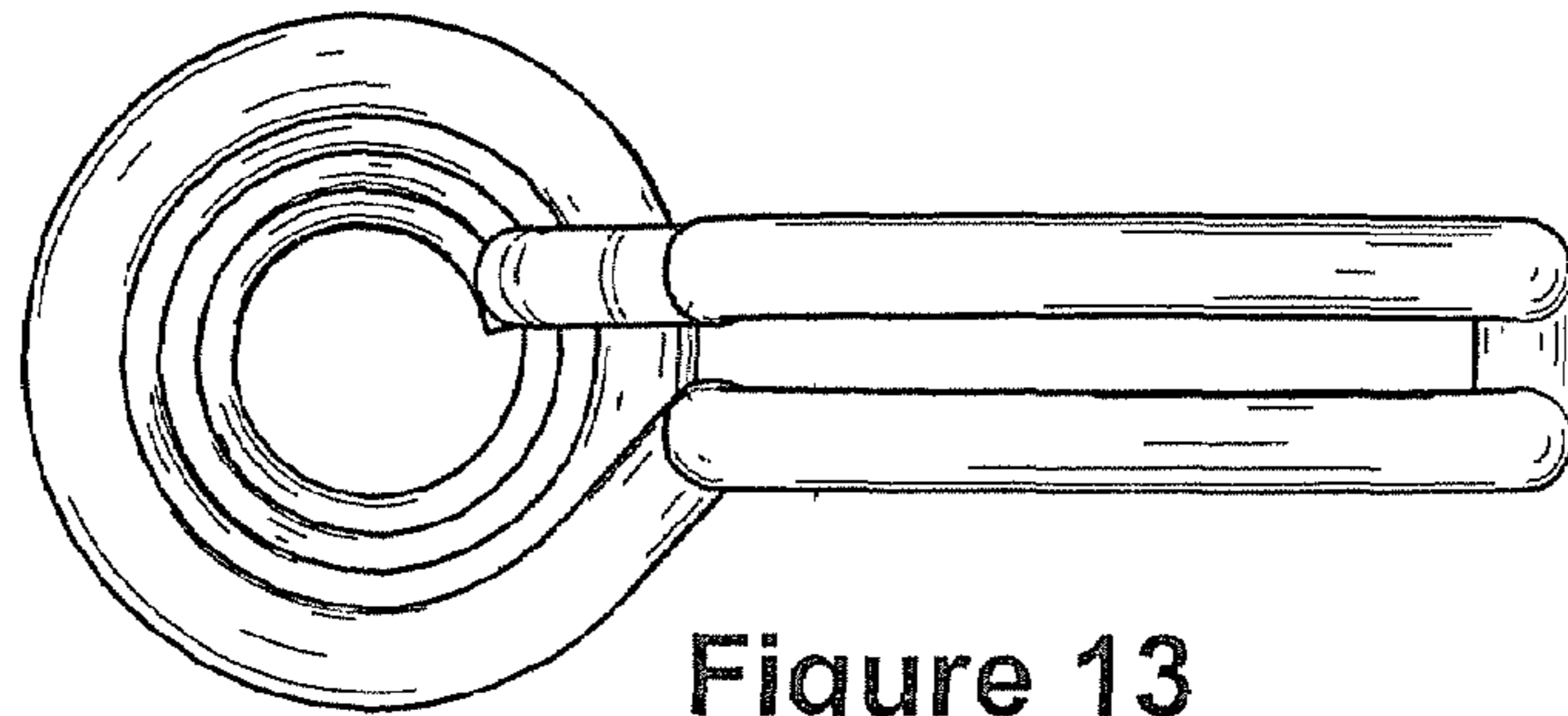


Figure 13

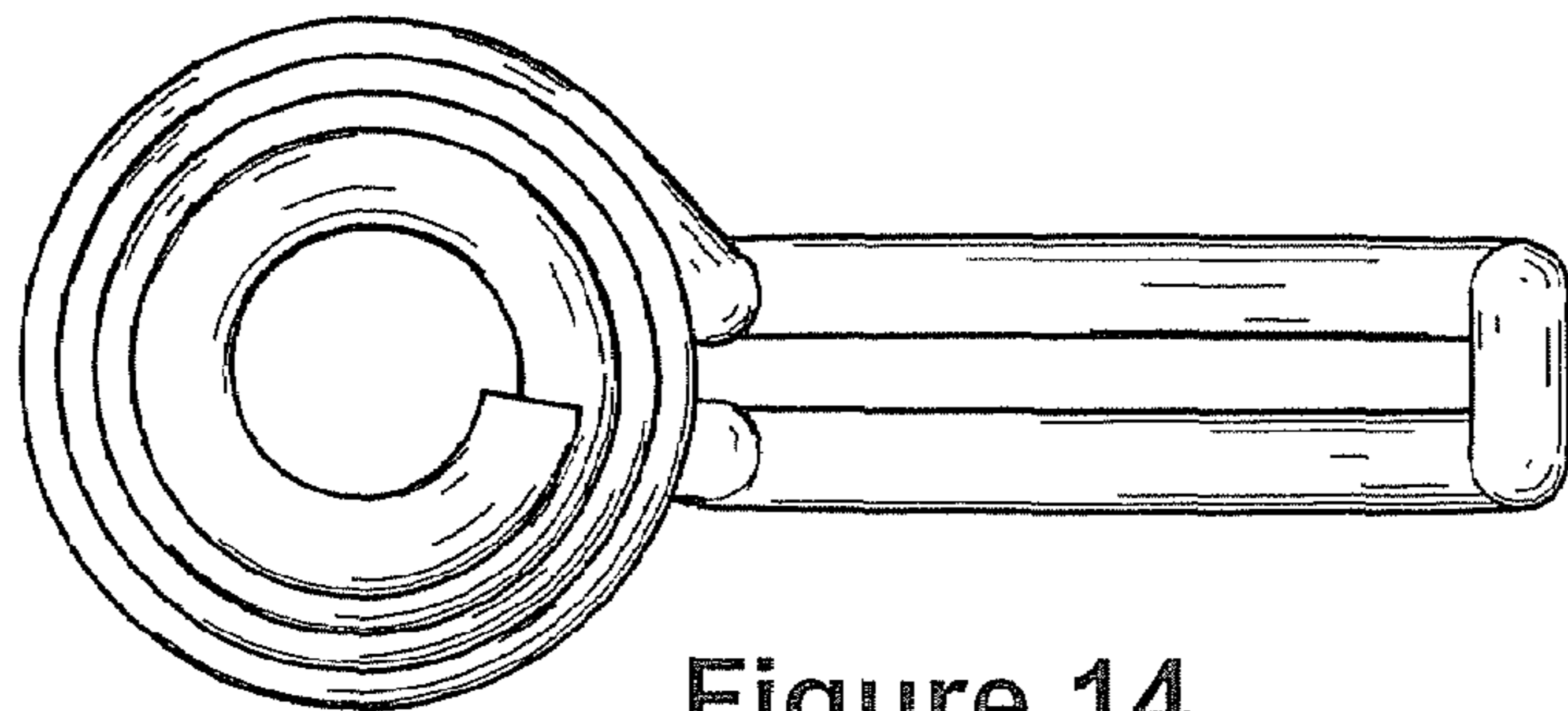


Figure 14