

US00D561010S

(12) **United States Design Patent**
Anderson et al.

(10) **Patent No.:** **US D561,010 S**

(45) **Date of Patent:** **** Feb. 5, 2008**

(54) **DECORATIVE HOSE REEL ENCLOSURE**

D288,648 S * 3/1987 Monaghan D7/540
D299,801 S * 2/1989 Basitodos D7/540
D544,307 S * 6/2007 Ablo D7/540

(75) Inventors: **Torrence Anderson**, Overland Park, KS (US); **Robert Kopp**, Wheaton, IL (US); **Jed Richardson**, Batavia, IL (US)

* cited by examiner

(73) Assignee: **Suncast Corporation**, Batavia, IL (US)

Primary Examiner—Gary D. Watson

Assistant Examiner—Susan Bennett Hattan

(**) Term: **14 Years**

(74) *Attorney, Agent, or Firm*—McHale & Slavin, P.A.

(21) Appl. No.: **29/249,641**

(57) **CLAIM**

(22) Filed: **Oct. 16, 2006**

The ornamental design for a decorative hose reel enclosure, as shown and described.

(51) **LOC (8) Cl.** **08-05**

(52) **U.S. Cl.** **D8/358**

(58) **Field of Classification Search** D8/359, D8/358, 356; D7/540; D34/25, 24, 14-19; D21/800; 242/405, 398, 395, 390.1, 389-390; 239/198, 197; 137/355.26-28, 355.2, 355.19; D10/72

See application file for complete search history.

DESCRIPTION

FIG. 1 is a top front perspective view of the decorative hose reel enclosure of the instant invention;

FIG. 2 is a right side view of the instant invention, the left side view being identical thereto;

FIG. 3 is a top view of the instant invention; and,

FIG. 4 is a rear view of the instant invention.

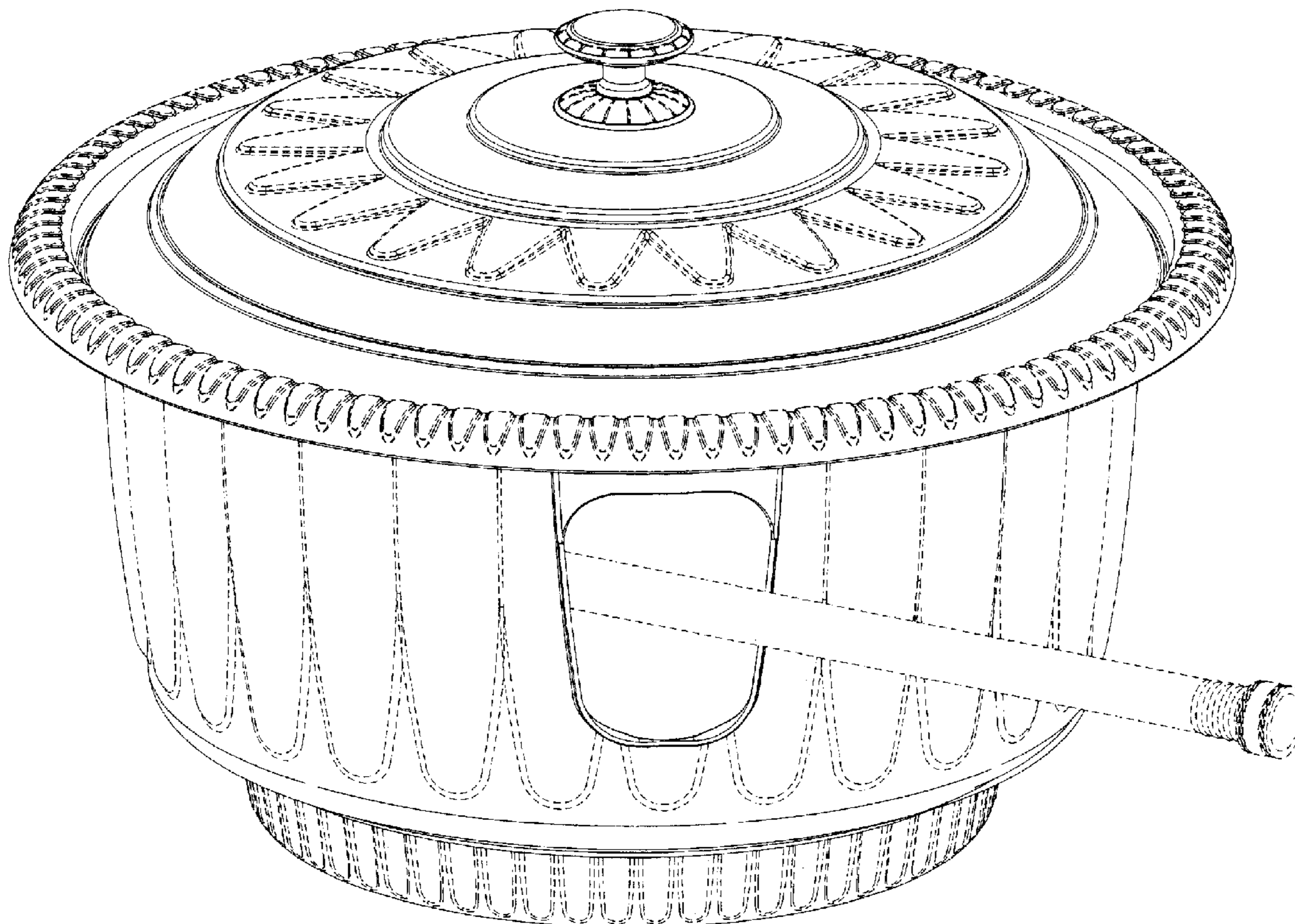
The portions of drawings illustrated by broken lines are for illustrative purposes and form no part of the claimed design.

(56) **References Cited**

U.S. PATENT DOCUMENTS

D248,202 S * 6/1978 Schreckengost D7/540
D260,134 S * 8/1981 Bercu D8/358

1 Claim, 4 Drawing Sheets



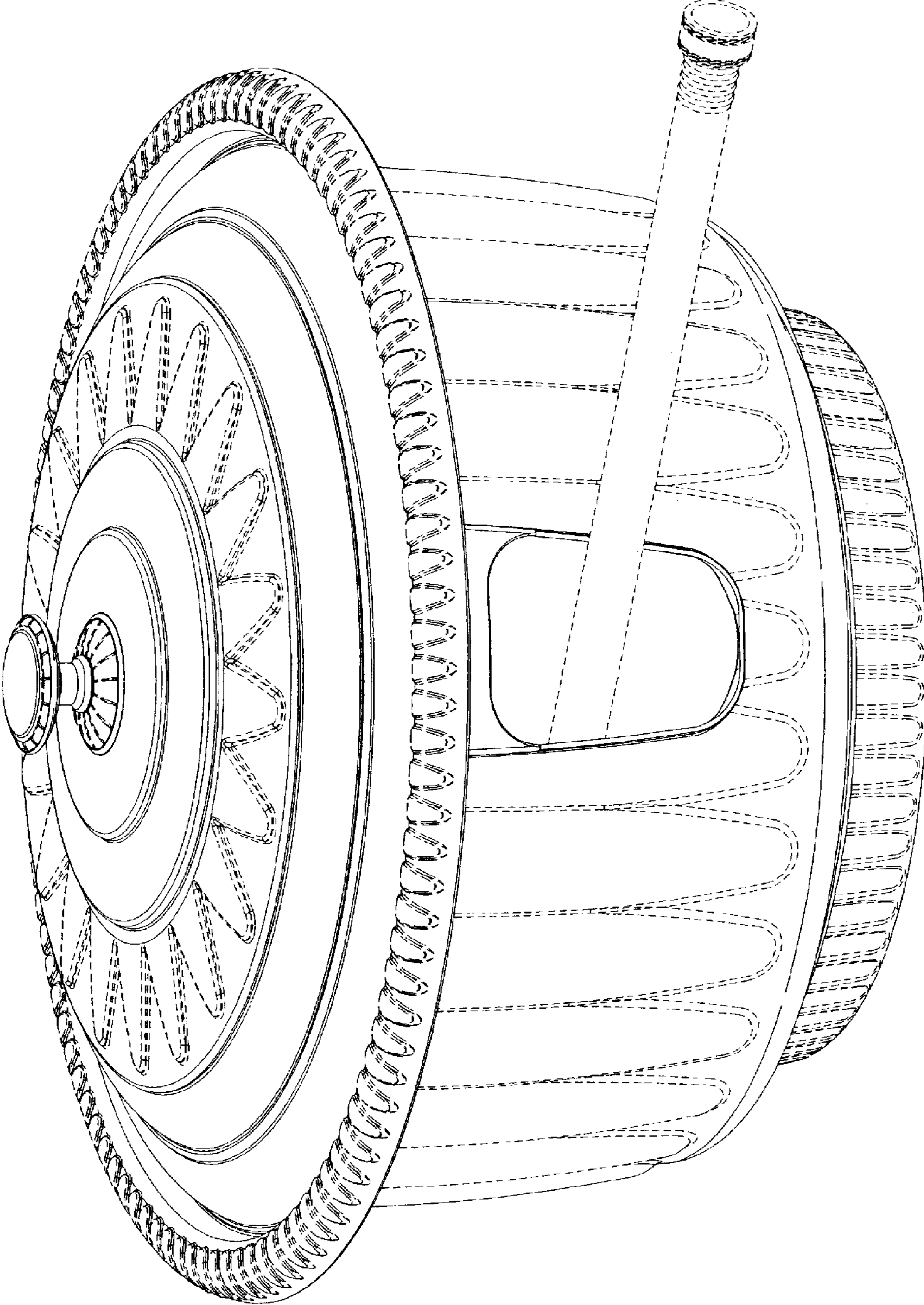


Fig. 1

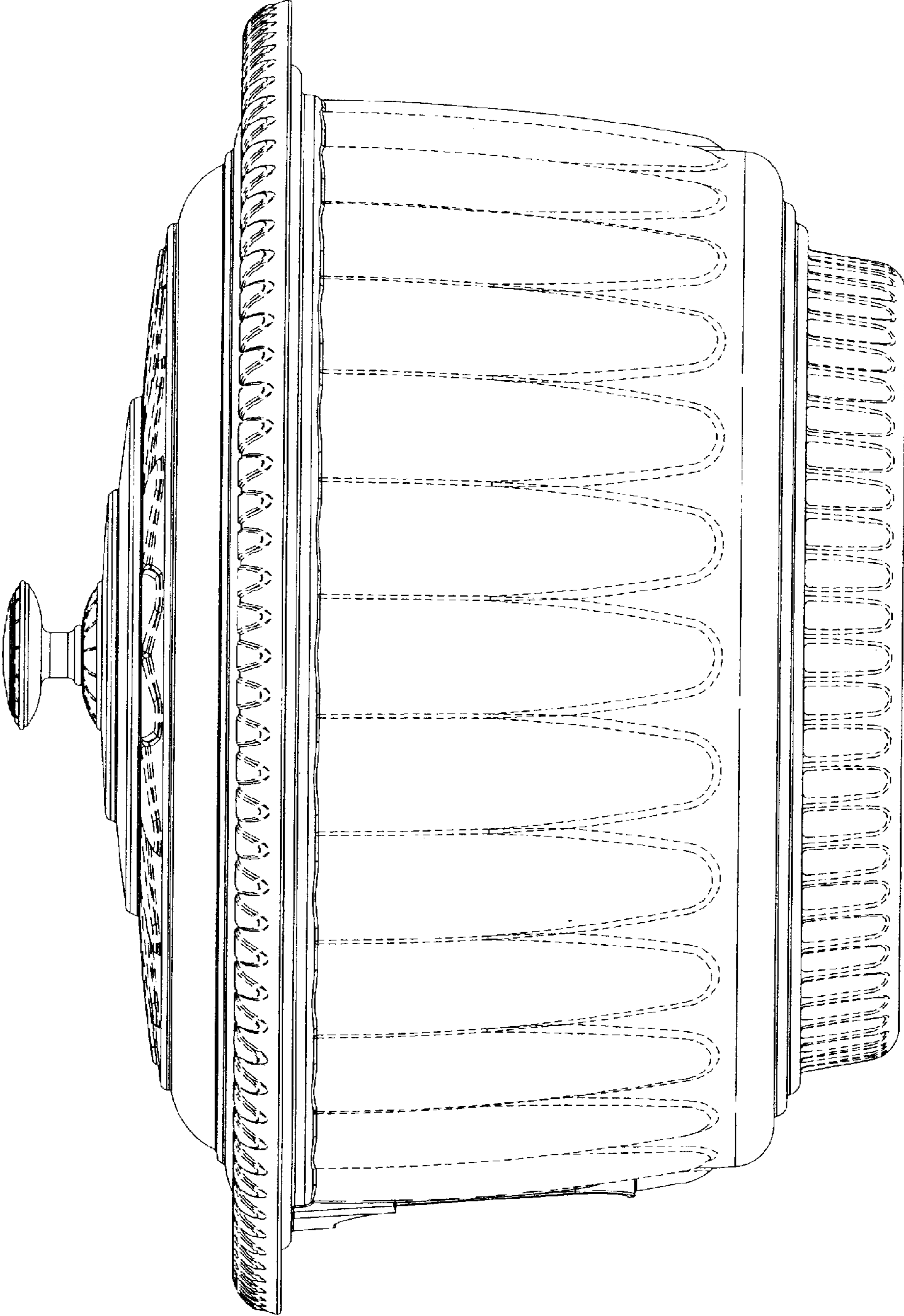


Fig. 2

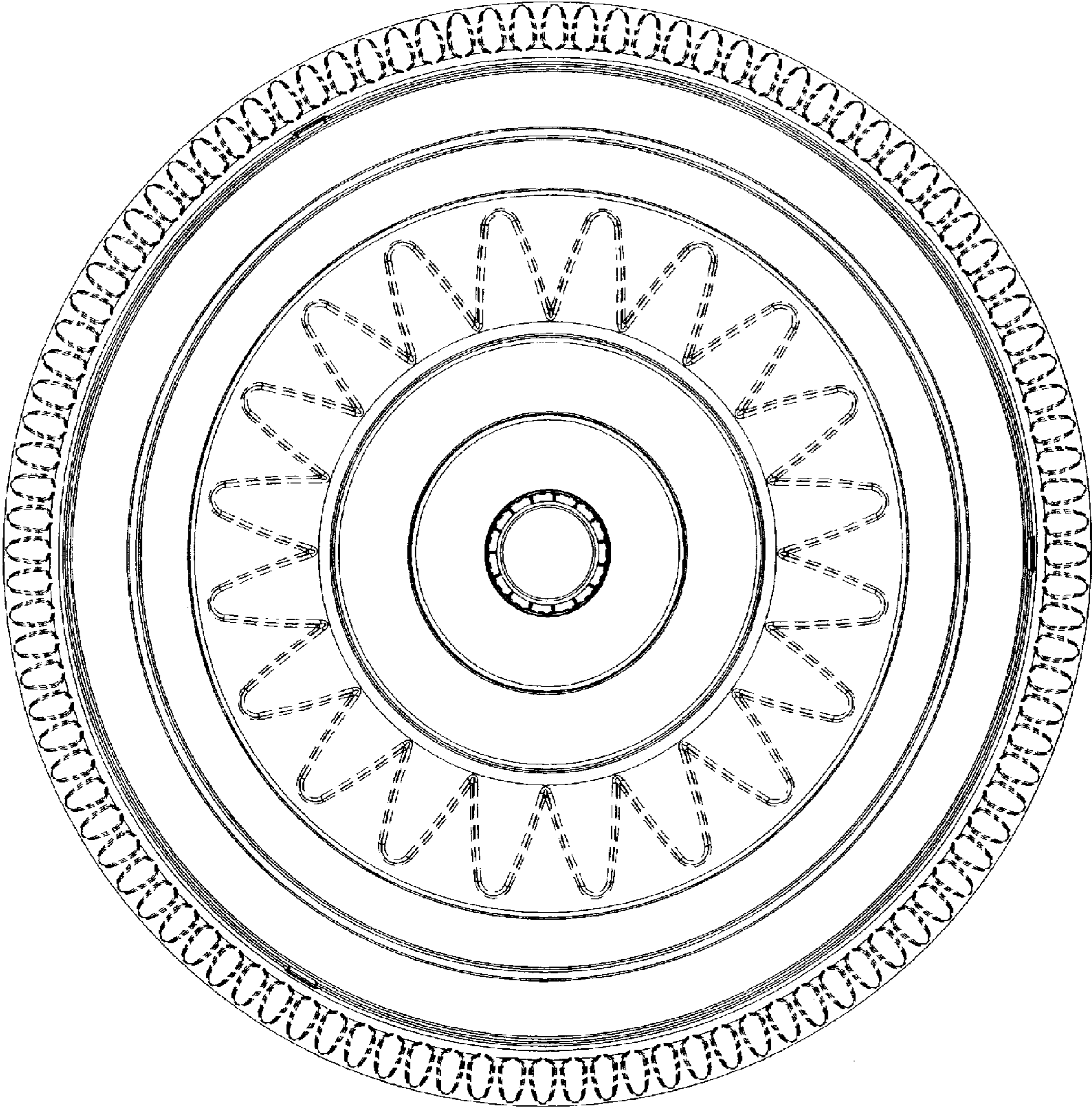


Fig. 3

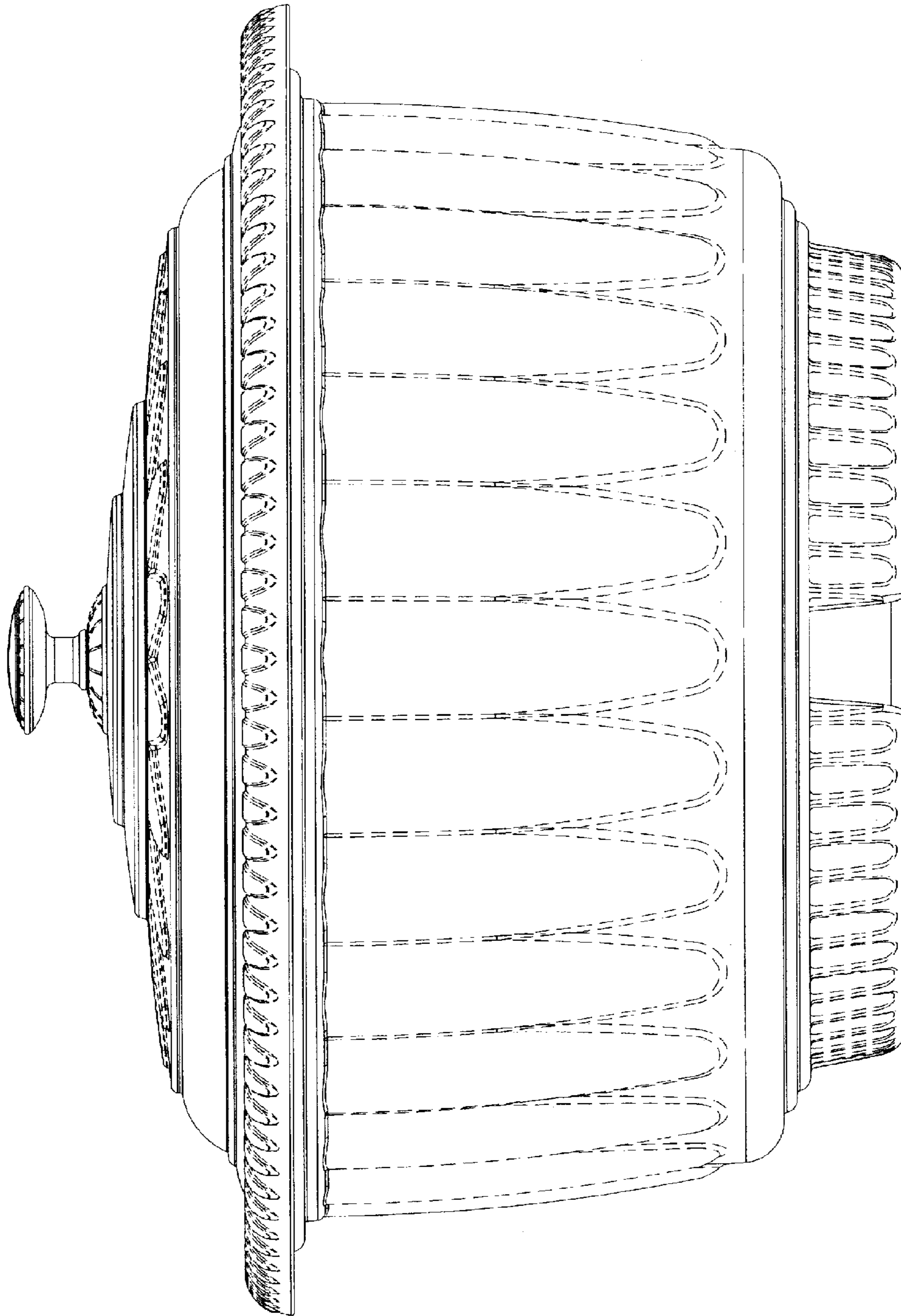


Fig. 4