



US00D561009S

(12) **United States Design Patent**
Wood

(10) **Patent No.:** **US D561,009 S**

(45) **Date of Patent:** **** Feb. 5, 2008**

(54) **FIBER OPTIC CABLE SUPPORT**

(76) **Inventor:** **Ernest James Wood**, 14099 Algoma Ave., Cedar Springs, MI (US) 49319

(**) **Term:** **14 Years**

(21) **Appl. No.:** **29/281,557**

(22) **Filed:** **Jun. 26, 2007**

(51) **LOC (8) Cl.** **08-05**

(52) **U.S. Cl.** **D8/356**

(58) **Field of Classification Search** D8/105, D8/107, 333, 349, 354, 356, 358, 367, 373, D8/382, 383, 394-396; D23/261; D26/38; 24/197, 561; 174/153 G; 242/400.1, 405.1, 242/405.2, 600, 916; 248/65, 74.1-74.4, 248/214, 215, 229.26, 201, 302, 204, 316.7, 248/316.8; 439/501; D34/38; 108/57.25
See application file for complete search history.

(56) **References Cited**

U.S. PATENT DOCUMENTS

| | | | |
|---------------|---------|------------------|----------|
| 412,074 A * | 10/1889 | Darcy | 211/30 |
| 823,213 A * | 6/1906 | Gibson | 206/216 |
| 888,349 A * | 5/1908 | Ogden | 248/69 |
| 1,452,993 A * | 4/1923 | Wack | 248/74.4 |
| 1,541,128 A * | 6/1925 | Ennis | 248/300 |
| 1,640,497 A * | 8/1927 | Halket et al. | 211/113 |
| 1,867,156 A * | 7/1932 | Jackson | 280/851 |
| 2,065,068 A * | 12/1936 | Gudeman | 248/300 |
| 2,073,172 A * | 3/1937 | Posnack | 248/126 |
| 3,042,352 A * | 7/1962 | Stamper | 248/68.1 |
| 4,194,714 A * | 3/1980 | Schultz | 248/308 |
| D304,676 S * | 11/1989 | Glynn | D8/395 |
| D309,253 S * | 7/1990 | Doebler | D8/373 |
| D313,933 S * | 1/1991 | Petley | D8/373 |
| 5,109,467 A * | 4/1992 | Hogan et al. | 385/135 |
| 5,167,001 A * | 11/1992 | Debortoli et al. | 385/135 |
| 5,319,732 A * | 6/1994 | Jones | 385/135 |
| D349,040 S * | 7/1994 | Moliner | D8/367 |
| D349,041 S * | 7/1994 | Wical | D8/373 |
| D349,042 S * | 7/1994 | Costello | D8/373 |
| 5,373,421 A | 12/1994 | Detsikas et al. | |

| | | | |
|----------------|---------|-----------------|---------|
| D362,612 S * | 9/1995 | Will | D8/354 |
| 5,497,444 A * | 3/1996 | Wheeler | 385/135 |
| 5,503,354 A * | 4/1996 | Lohf et al. | |
| D370,171 S * | 5/1996 | Emerson | D8/354 |
| 5,546,495 A * | 8/1996 | Bruckner et al. | 385/135 |
| D378,731 S * | 4/1997 | Kopish | D8/356 |
| 5,634,618 A * | 6/1997 | Farmer et al. | 248/201 |
| 5,640,482 A * | 6/1997 | Barry et al. | 385/135 |
| 6,134,370 A * | 10/2000 | Childers et al. | 385/135 |
| D435,788 S * | 1/2001 | Bunning | D8/382 |
| 6,188,826 B1 | 2/2001 | Daoud | |
| D442,062 S * | 5/2001 | Kelley et al. | D8/349 |
| D446,190 S * | 8/2001 | Wakileh et al. | D13/155 |
| D446,191 S * | 8/2001 | Wakileh et al. | D13/155 |
| D446,505 S * | 8/2001 | Wakileh et al. | D13/155 |
| 6,292,614 B1 | 9/2001 | Smith et al. | |
| 6,529,663 B1 | 3/2003 | Parris et al. | |
| 6,591,053 B2 * | 7/2003 | Fritz | 385/135 |
| D510,517 S * | 10/2005 | Noack | D8/373 |

(Continued)

Primary Examiner—T. Chase Nelson

Assistant Examiner—Karen Acker

(74) *Attorney, Agent, or Firm*—Miller, Canfield, Paddock and Stone; Robert K. Roth

(57) **CLAIM**

The ornamental design for a fiber optic cable support, as shown.

DESCRIPTION

FIG. 1 is a perspective view of a fiber optic cable support.

FIG. 2 is a side view of the fiber optic cable support of FIG. 1.

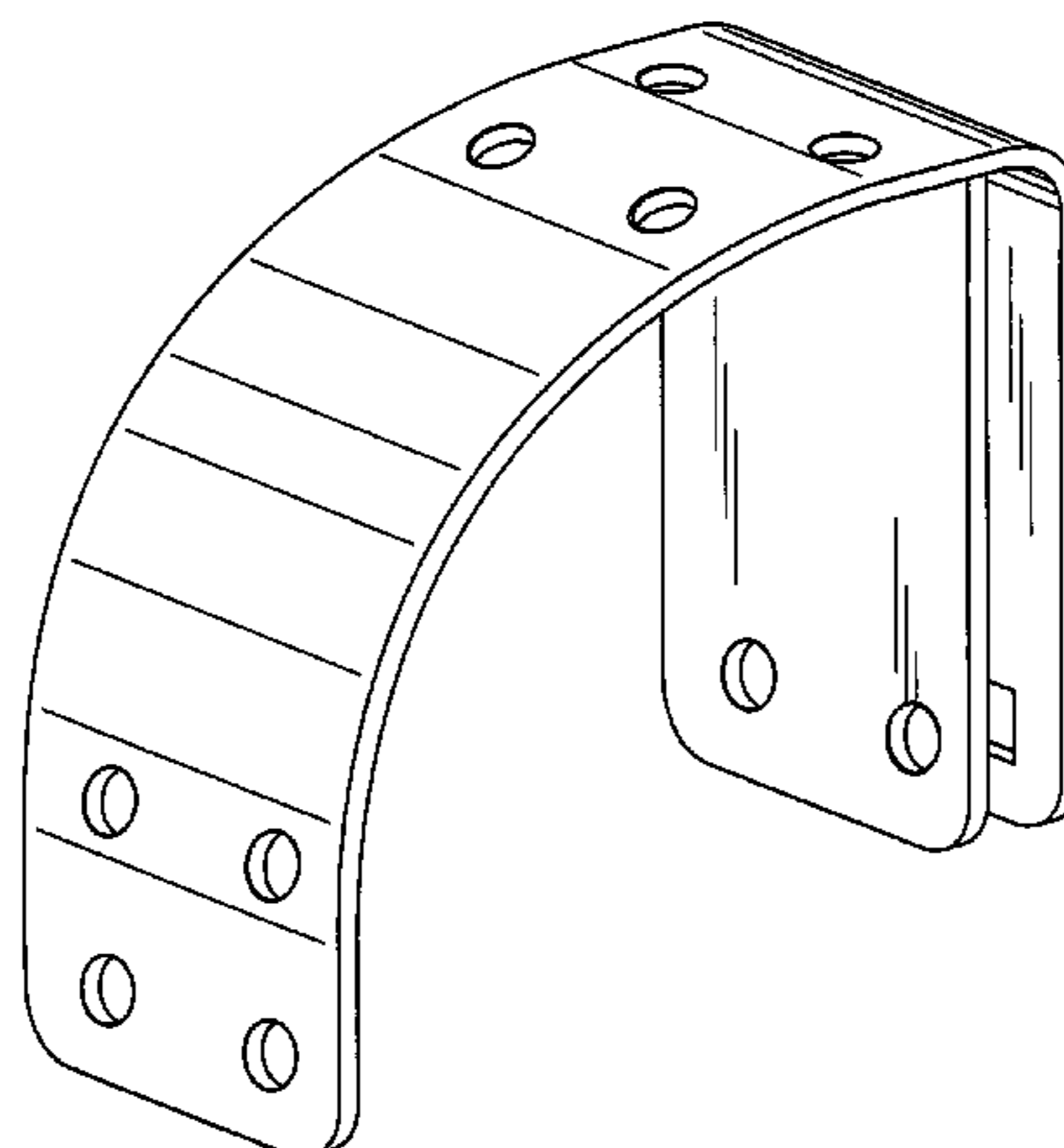
FIG. 3 is a top view of the fiber optic cable support of FIG. 1.

FIG. 4 is a bottom view of the fiber optic cable support of FIG. 1.

FIG. 5 is a front view of the fiber optic cable support of FIG. 1; and,

FIG. 6 is a backside view of the fiber optic cable support of FIG. 1.

1 Claim, 4 Drawing Sheets



US D561,009 S

Page 2

U.S. PATENT DOCUMENTS

D541,143 S * 4/2007 Ruddick D8/395
2006/0154513 A1 7/2006 Barker et al.

2006/0275010 A1 12/2006 Forrester
2007/0104450 A1 5/2007 Phung et al.

* cited by examiner

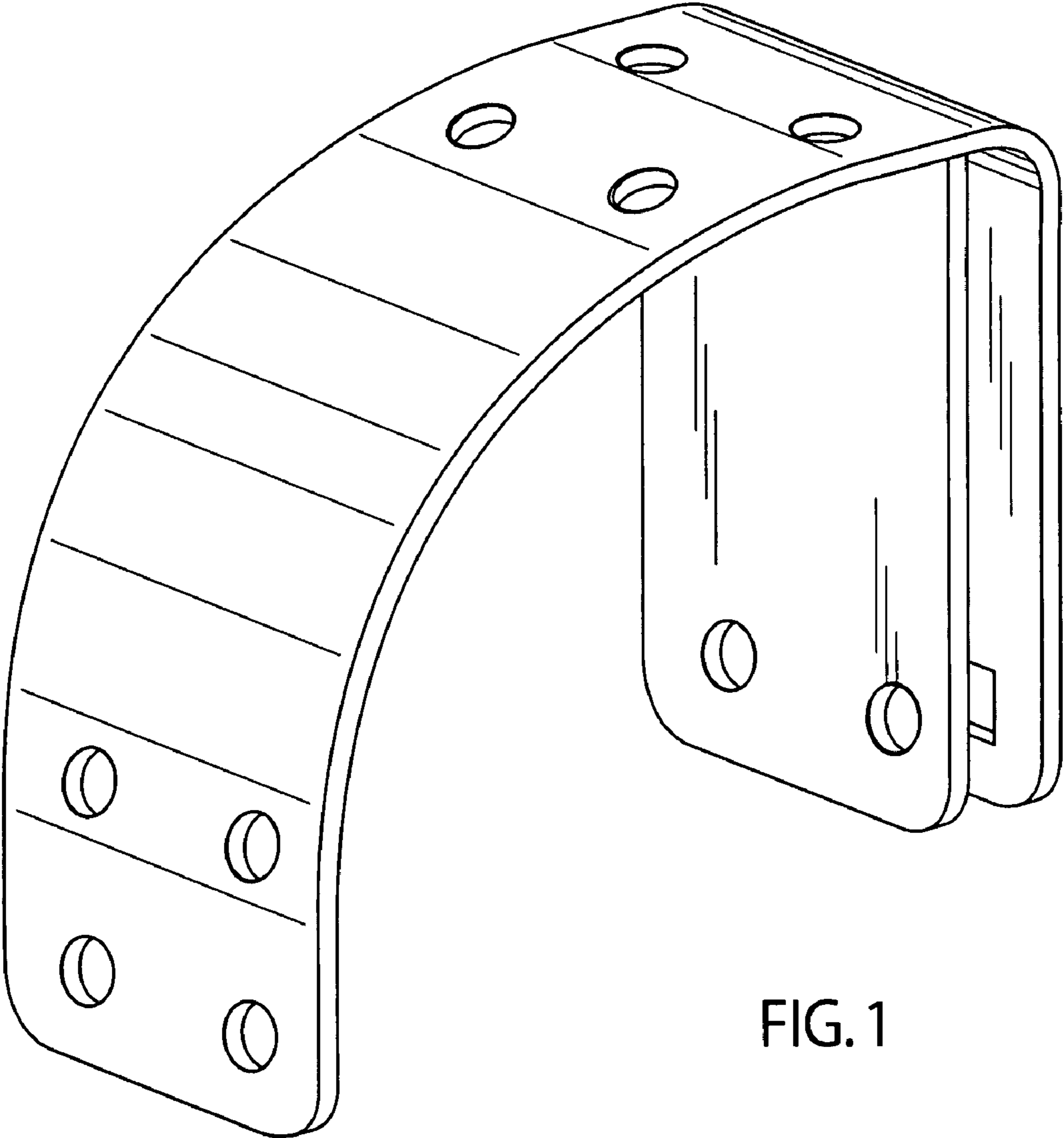


FIG. 1

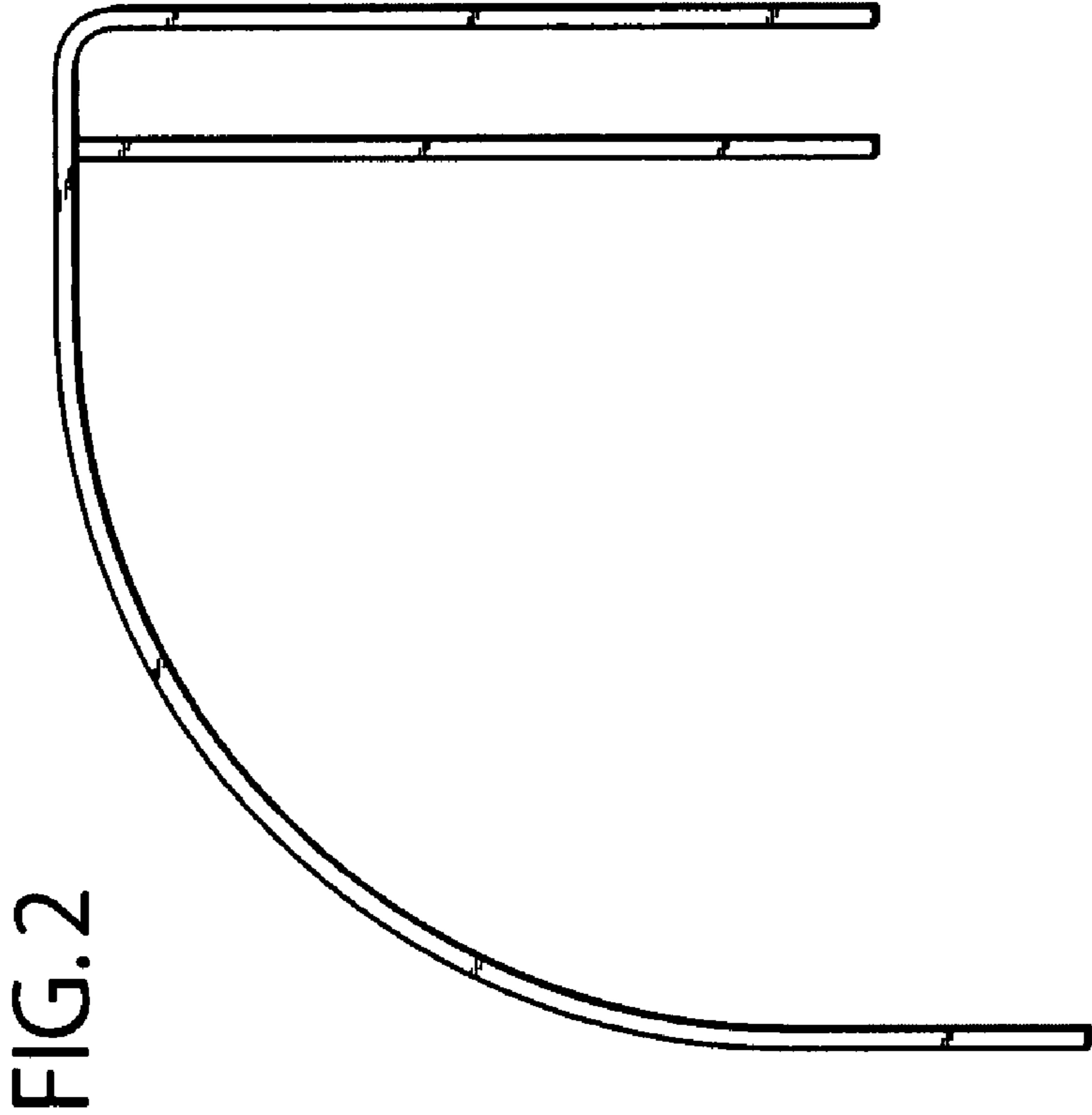


FIG. 2

FIG. 3

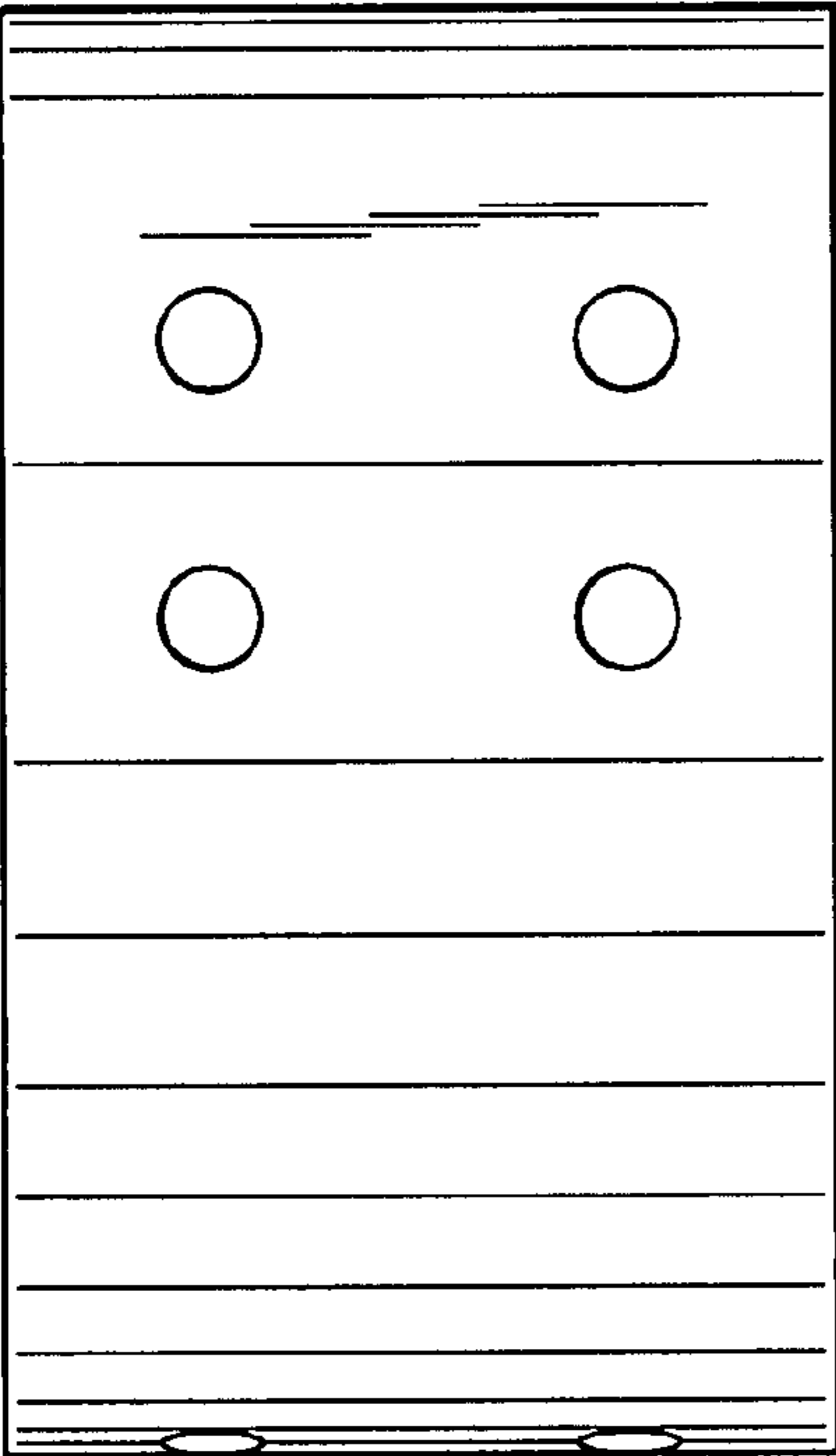


FIG. 4

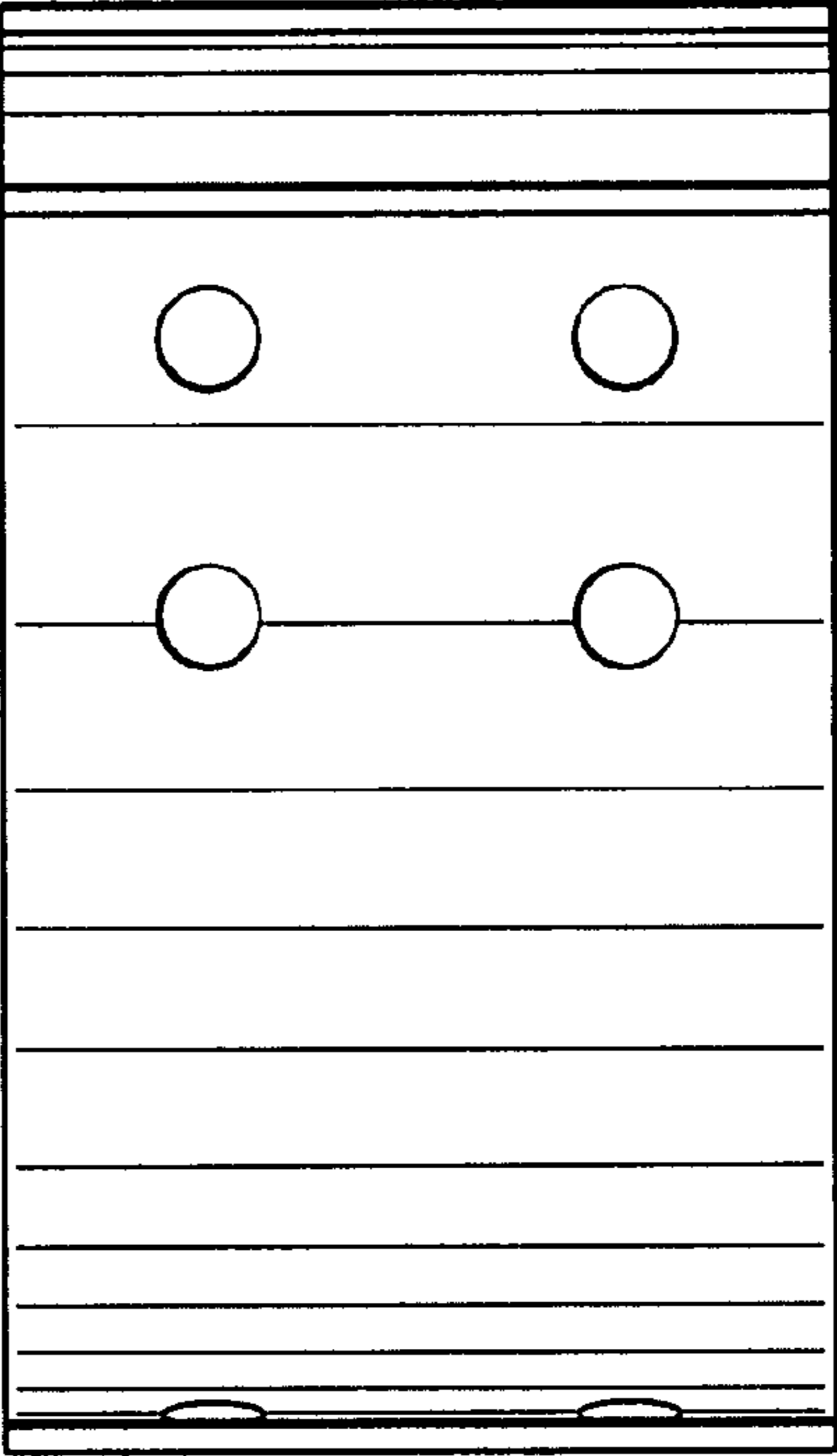


FIG. 6

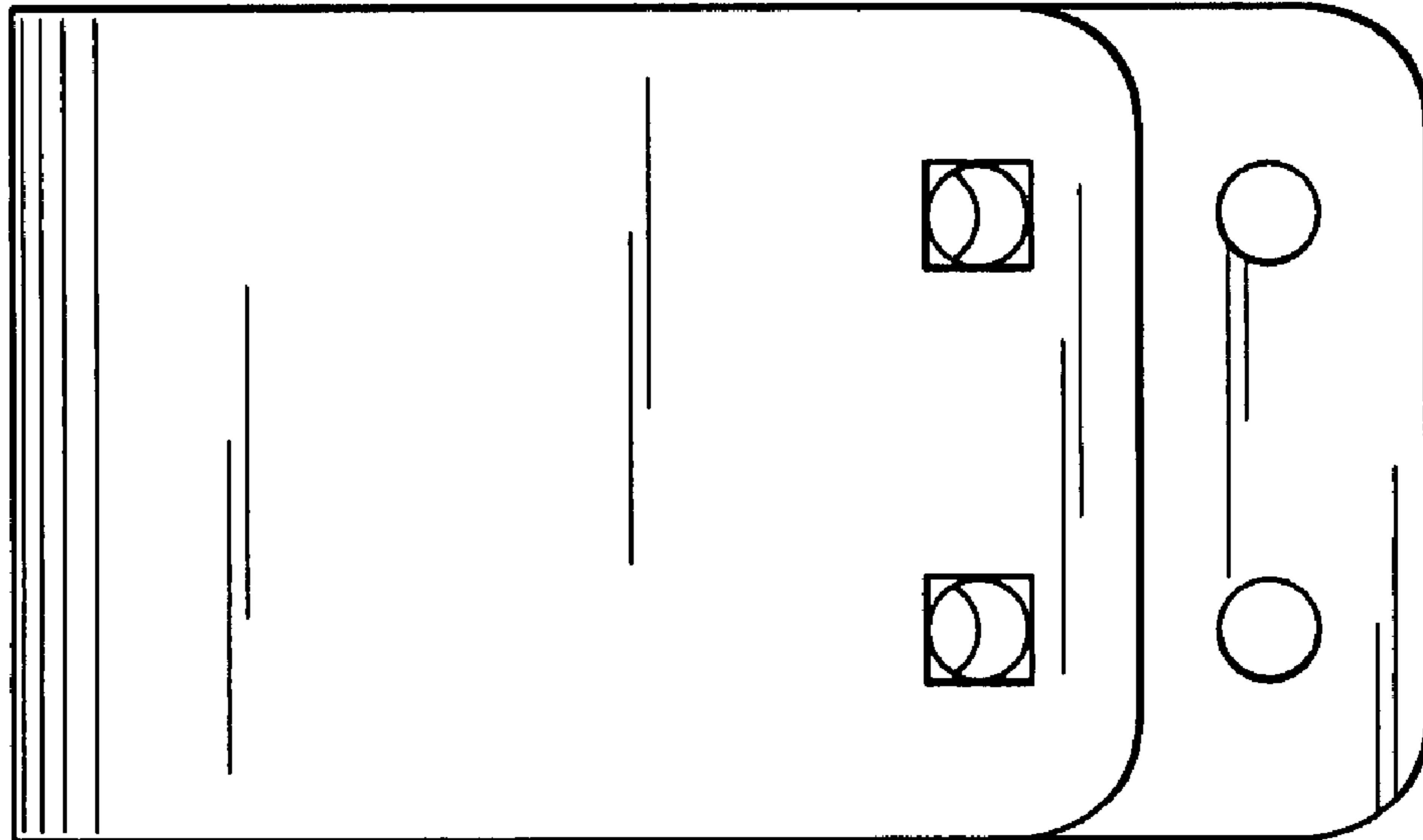


FIG. 5

