



US00D561008S

(12) **United States Design Patent**
Jones

(10) **Patent No.:** **US D561,008 S**

(45) **Date of Patent:** **** Feb. 5, 2008**

(54) **BENCH BRACKET**

(75) Inventor: **Steven K. Jones**, Ottawa (CA)

(73) Assignee: **Lee Valley Tools, Ltd.**, Ottawa (CA)

(**) Term: **14 Years**

(21) Appl. No.: **29/249,860**

(22) Filed: **Oct. 24, 2006**

(51) **LOC (8) Cl.** **08-05**

(52) **U.S. Cl.** **D8/355**

(58) **Field of Classification Search** D8/355,
D8/380, 71, 381; 297/452.21

See application file for complete search history.

(56) **References Cited**

U.S. PATENT DOCUMENTS

2,220,214	A	*	11/1940	Cloutier	24/461
D227,439	S	*	6/1973	Brothers	D8/355
D239,434	S	*	4/1976	Flushing	D8/355
D339,728	S	*	9/1993	Lee	D8/71
D348,216	S	*	6/1994	Smith	D8/381
D461,708	S	*	8/2002	Viger	D8/380

* cited by examiner

Primary Examiner—Holly H. Baynham

(74) *Attorney, Agent, or Firm*—Kilpatrick Stockton LLP;
John S. Pratt; Camilla C. Williams

(57) **CLAIM**

The ornamental design for a bench bracket, as shown and described.

DESCRIPTION

FIG. 1 is a perspective view of the bench bracket.

FIG. 2 is a top plan view of the bench bracket shown in FIG. 1.

FIG. 3 is a bottom plan view of the bench bracket shown in FIG. 1.

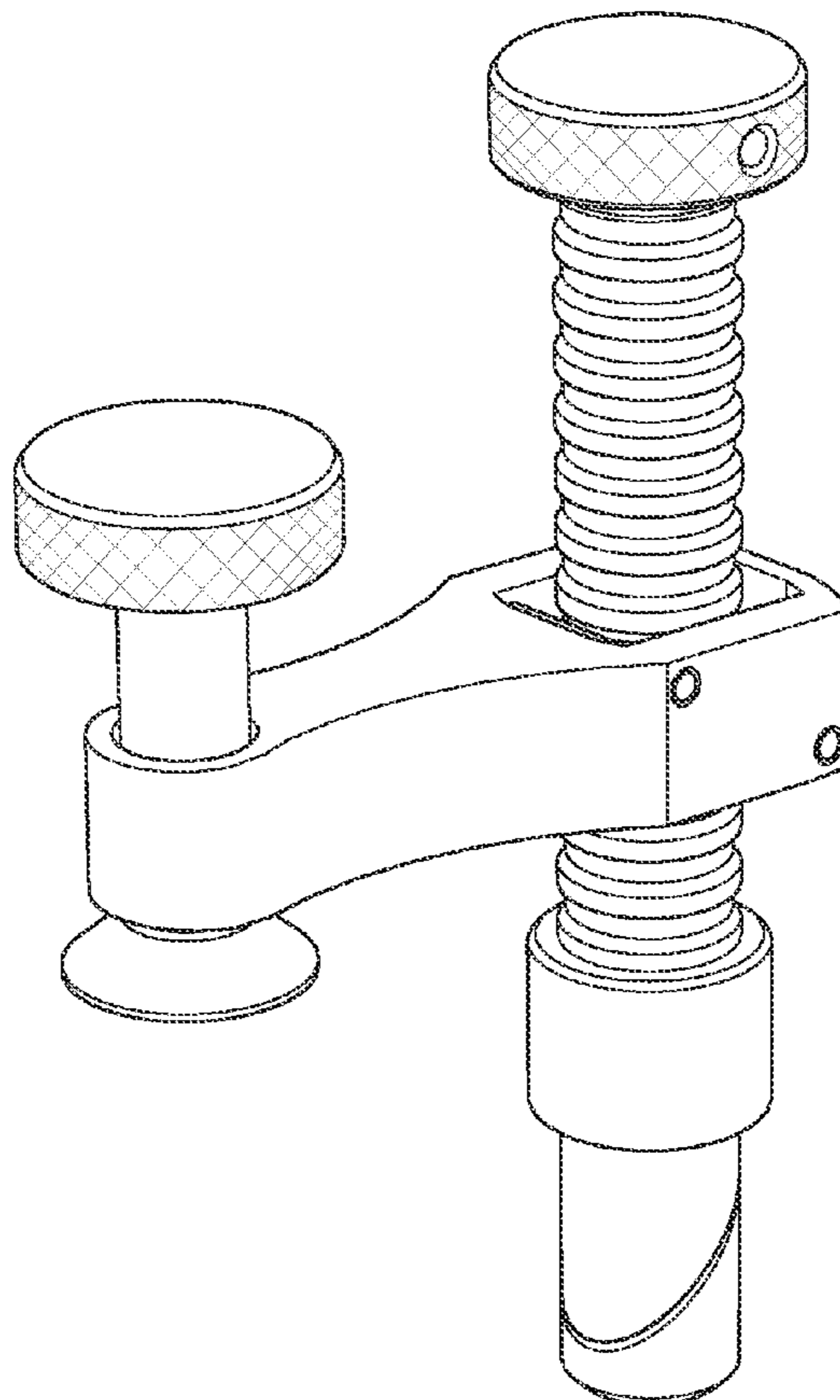
FIG. 4 is a back elevation view of the bench bracket shown in FIG. 1.

FIG. 5 is a front elevation view of the bench bracket shown in FIG. 1.

FIG. 6 is a side elevation view of the bench bracket shown in FIG. 1; and,

FIG. 7 is another side elevation view of the bench bracket shown in FIG. 1.

1 Claim, 3 Drawing Sheets



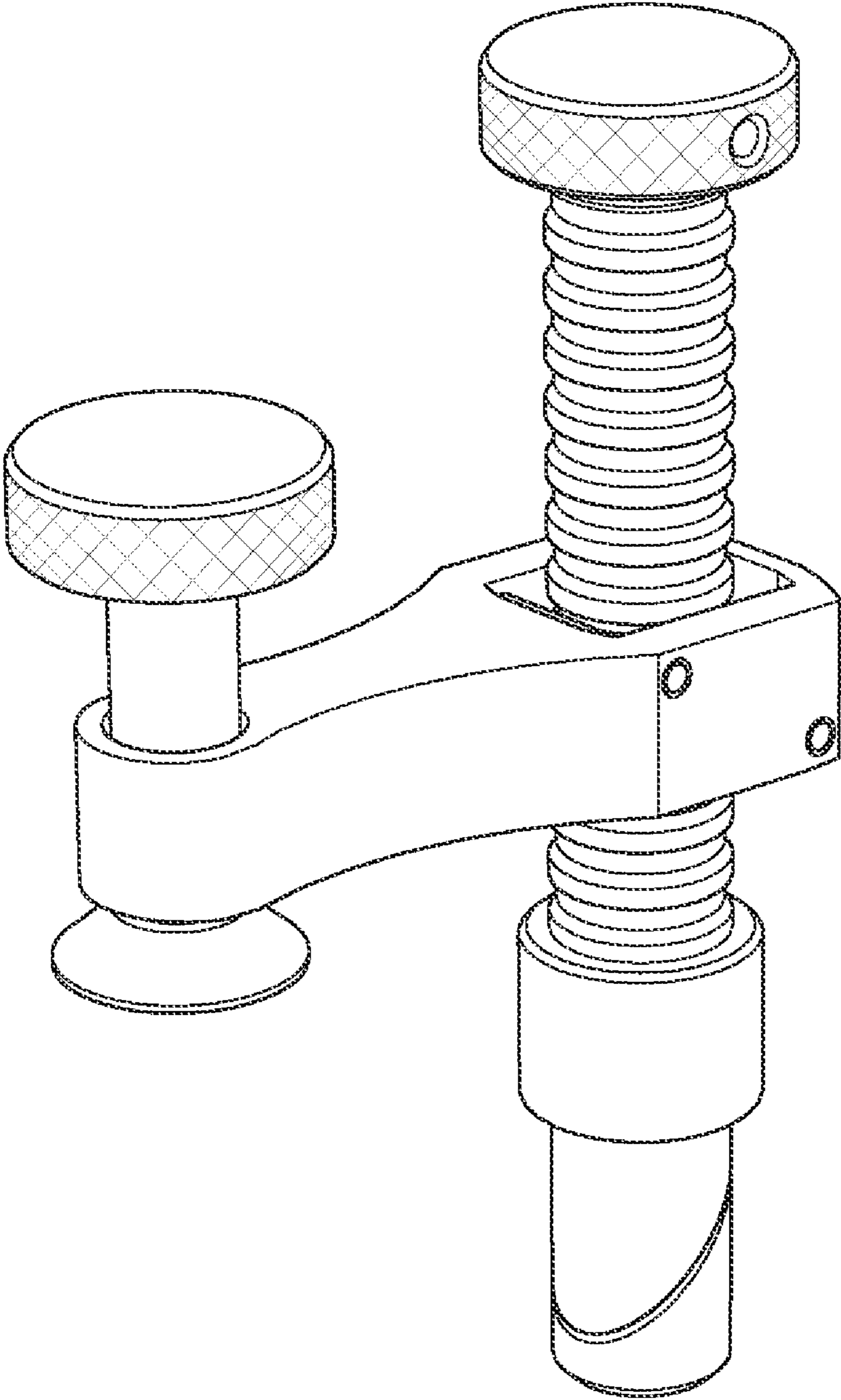


FIG. 1

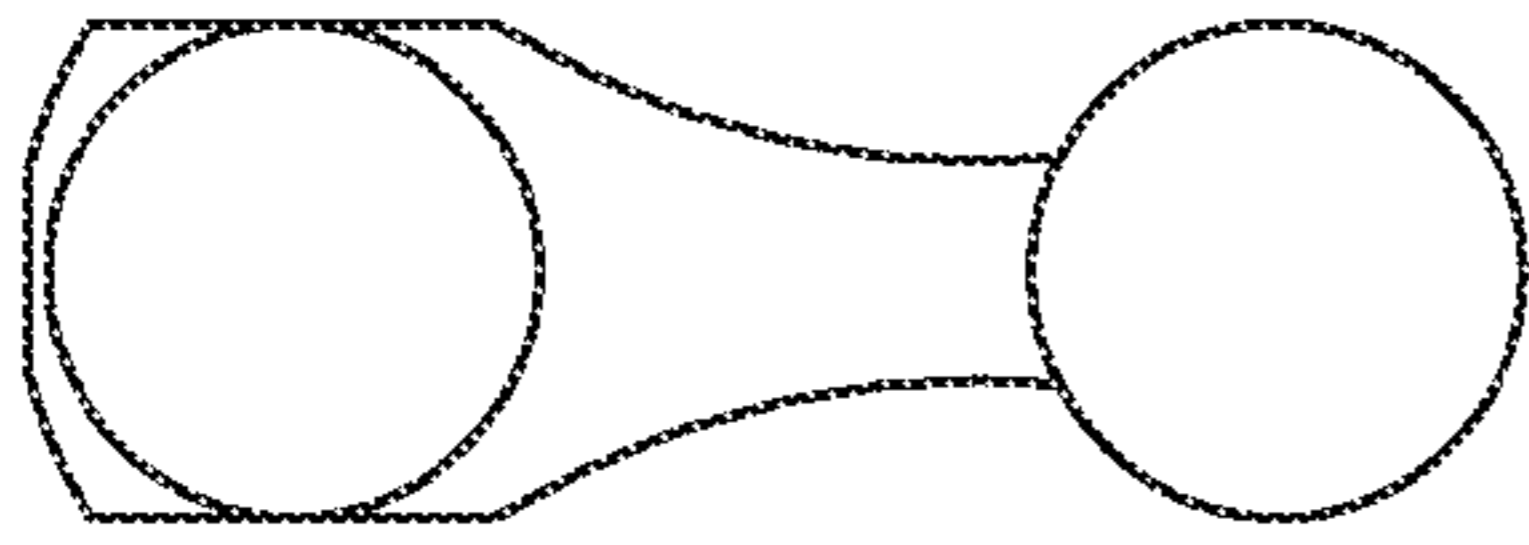


FIG. 2

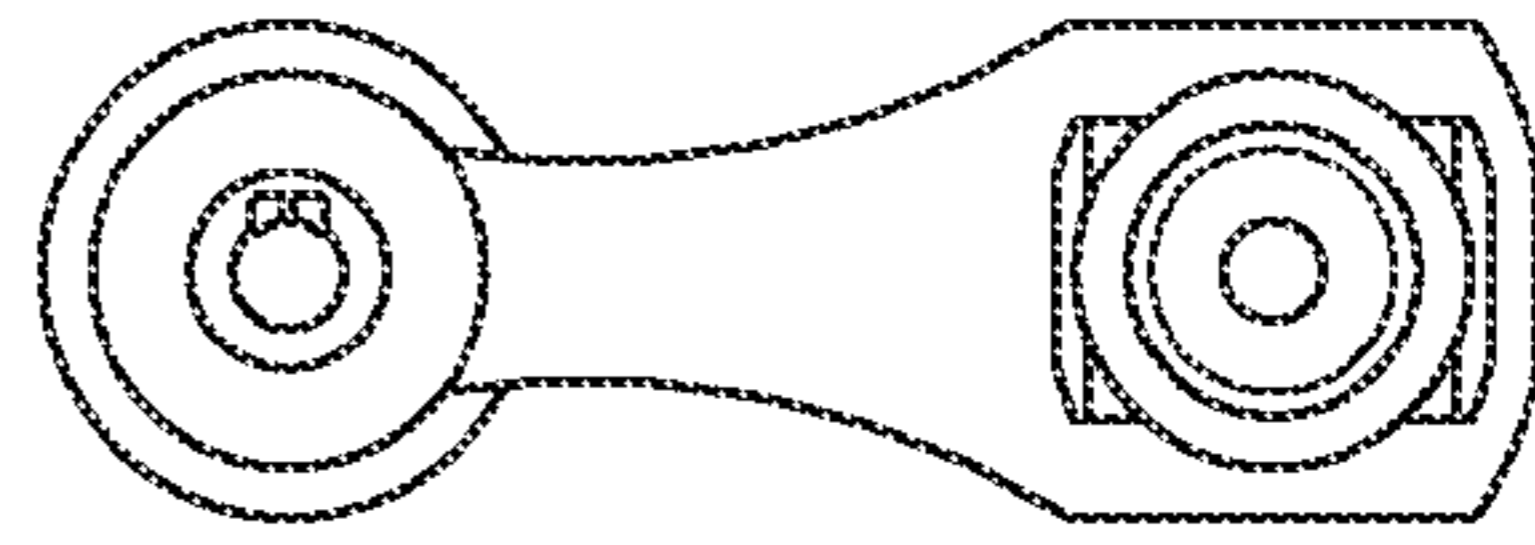


FIG. 3

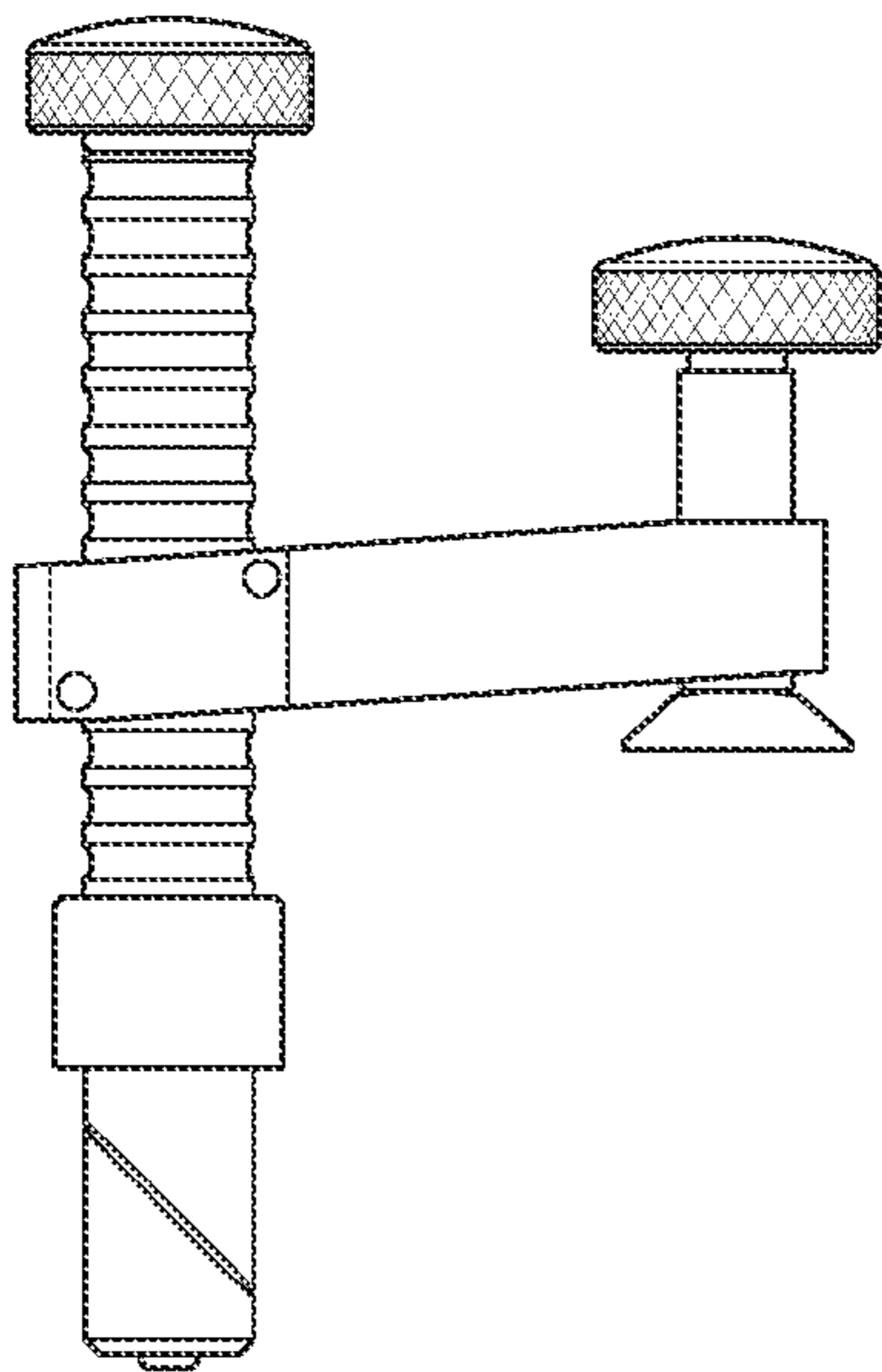


FIG. 4

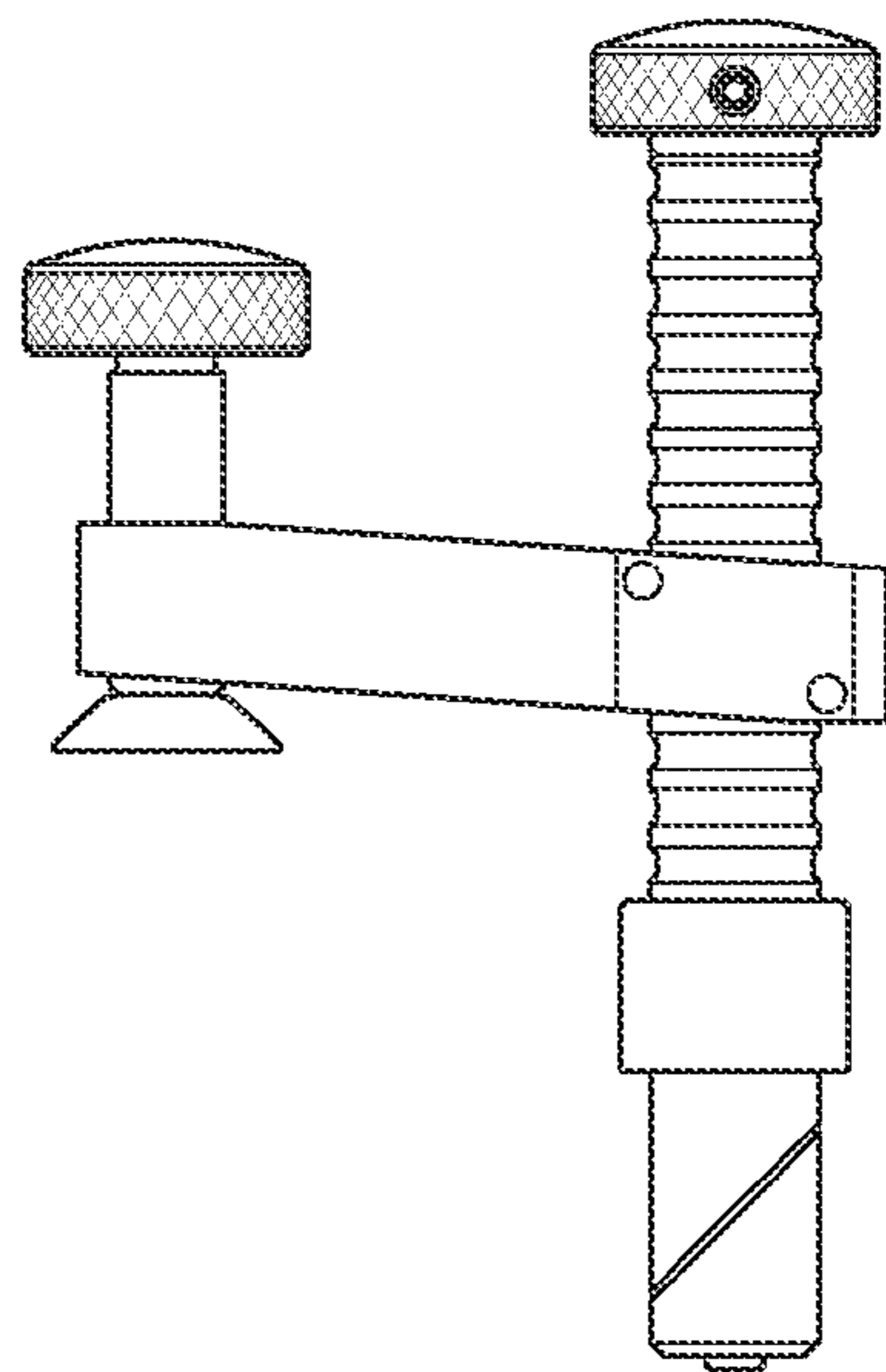


FIG. 5

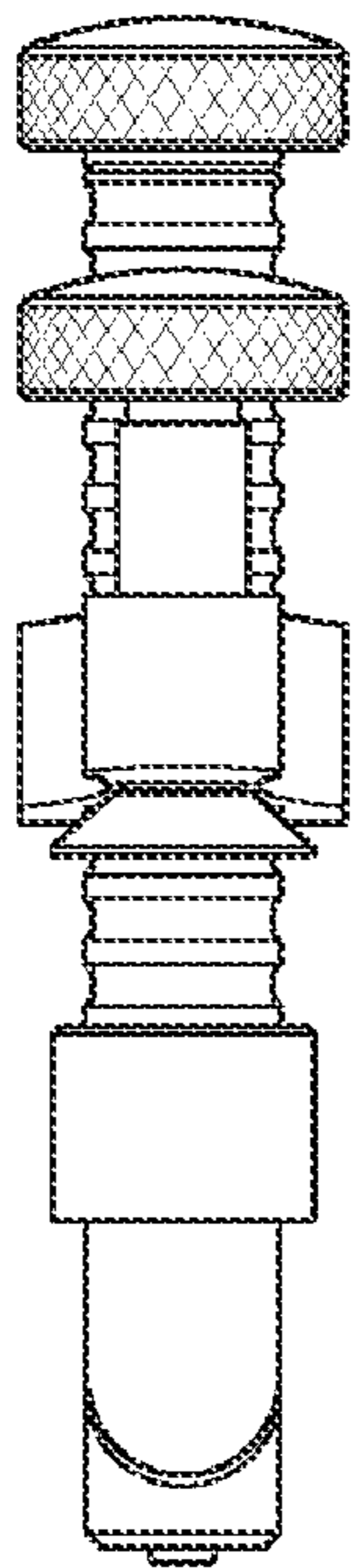


FIG. 6

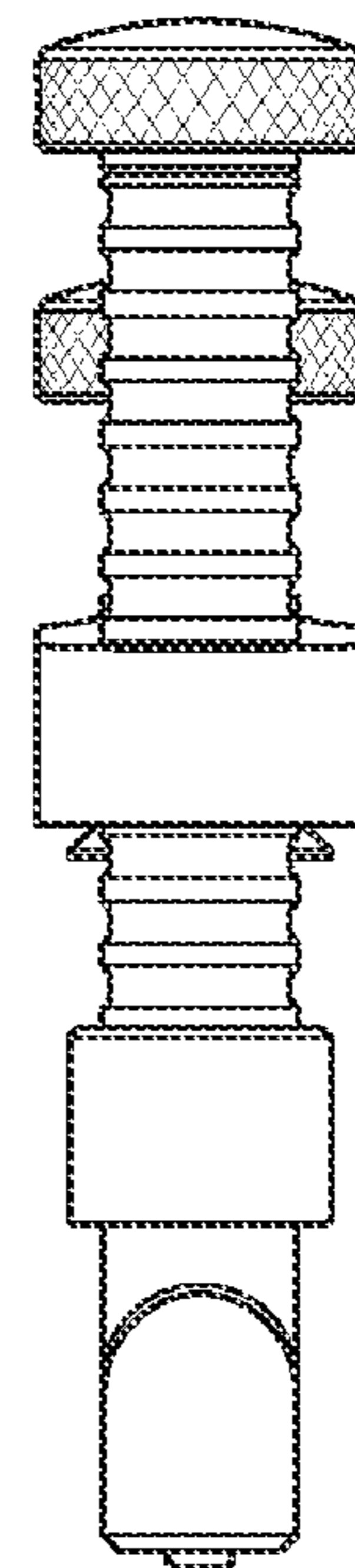


FIG. 7