



US00D561005S

(12) **United States Design Patent**
Rohde et al.

(10) **Patent No.:** **US D561,005 S**
(45) **Date of Patent:** **** Feb. 5, 2008**

(54) **HASP**

(75) Inventors: **Christopher Rohde**, West Allis, WI (US); **John Blomstrom**, Milwaukee, WI (US)

(73) Assignee: **Master Lock Company LLC**, Oak Creek, WI (US)

(**) Term: **14 Years**

(21) Appl. No.: **29/269,955**

(22) Filed: **Dec. 12, 2006**

(51) **LOC (8) Cl.** **08-07**

(52) **U.S. Cl.** **D8/345**

(58) **Field of Classification Search** D8/330-348;
70/54-56, 2-13, 31-34, 416-417; 292/262,
292/288-298, 341

See application file for complete search history.

(56) **References Cited**

U.S. PATENT DOCUMENTS

688,747	A	12/1901	McMillen	
3,119,289	A	1/1964	Bach	
3,392,555	A	7/1968	Beaver	
D212,123	S *	8/1968	Foote D8/345
3,610,668	A	10/1971	Tixier	
3,736,016	A	5/1973	Garvey et al.	
3,759,557	A	9/1973	Athas	
3,769,821	A	11/1973	Randel	
3,884,057	A	5/1975	Maurer	
3,901,058	A	8/1975	Best	
3,996,774	A *	12/1976	Best 70/32

(Continued)

OTHER PUBLICATIONS

Master Lock, Product No. 770 Solid Steel Hasp Description, Master Lock website.

KRYPTONITE, Product Part No. 855101 Vehicle Hasp Product Description, Kwiklocks website.

Locksmith Dealers of America, Shackless Padlocks Product Part No. 077171, Corridor Lock website.

Primary Examiner—Mitchell Siegel
(74) *Attorney, Agent, or Firm*—Calfee, Halter & Griswold LLP

(57) **CLAIM**

We claim the ornamental design for a hasp, as shown and described.

DESCRIPTION

FIG. 1 is a perspective view of a hasp made in accordance with an embodiment of the new design;

FIG. 2 is a top view of the hasp of FIG. 1;

FIG. 3 is a front elevation view of the hasp of FIG. 1;

FIG. 4 is a rear view of the hasp of FIG. 1;

FIG. 5 is a bottom view of the hasp of FIG. 1;

FIG. 6 is a right side view of the hasp of FIG. 1;

FIG. 7 is a left side view of the hasp of FIG. 1;

FIG. 8 is a perspective view of a second embodiment of a lock as disclosed in FIG. 1;

FIG. 9 is a top view of the hasp of FIG. 8; and

FIG. 10 is a front elevation view of the hasp of FIG. 8;

FIG. 11 is a rear view of the hasp of FIG. 8;

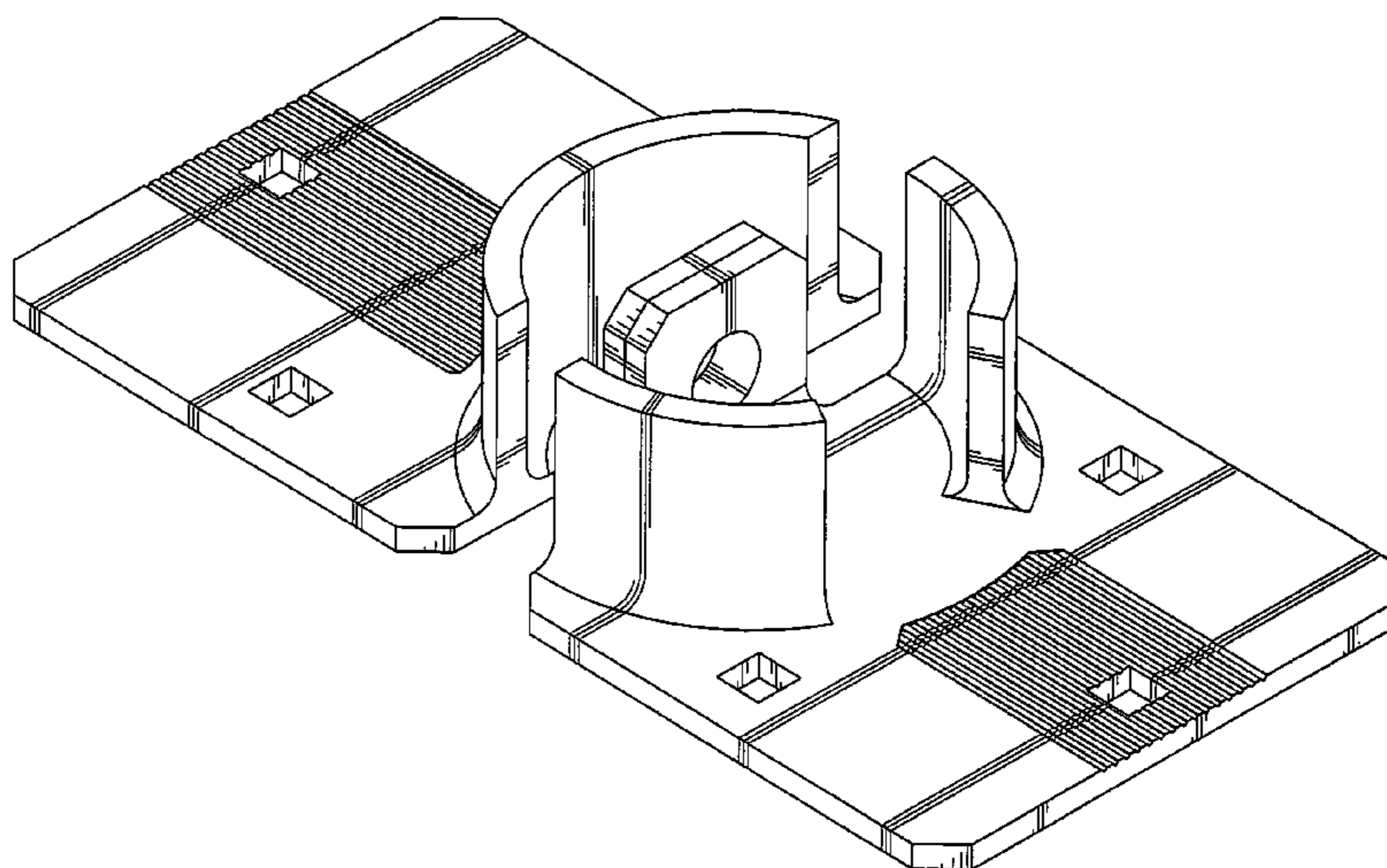
FIG. 12 is a bottom view of the hasp of FIG. 8;

FIG. 13 is a right side view of the hasp of FIG. 8; and,

FIG. 14 is a left side view of the hasp of FIG. 8.

The portions of the Figures shown in phantom lines form no part of the claimed design, but are directed to environment and for illustrative purposes only, or are to define the boundaries of the claimed design.

1 Claim, 8 Drawing Sheets



US D561,005 S

Page 2

U.S. PATENT DOCUMENTS				
		5,172,574 A	12/1992	Perfetto
		5,174,135 A	12/1992	Loughlin
		D334,248 S	3/1993	Odabach
		5,669,255 A	9/1997	Albano
		5,845,520 A	12/1998	Dolev
		5,946,952 A	9/1999	Mintchenko
		6,077,271 A	6/2000	Huebner et al.
		D439,826 S	4/2001	Oddy
		6,255,649 B1	7/2001	Clafin et al.
		6,357,266 B1 *	3/2002	Van Buren 70/56
		D487,013 S *	2/2004	Jenks D8/343
		6,735,989 B1	5/2004	Schramm et al.
		6,766,671 B2	7/2004	Haczynski et al.
		6,854,303 B2	2/2005	Shiao et al.
		7,022,157 B2	4/2006	Tsai
4,030,321 A	6/1977	Kenyon		
4,033,155 A	7/1977	De Lucia		
4,033,156 A	7/1977	Cottingham		
4,079,974 A	3/1978	Roper		
4,107,965 A	8/1978	Miller et al.		
4,322,102 A	3/1982	Lindblom		
4,380,160 A	4/1983	Hoffman		
4,535,612 A	8/1985	Seremet		
D281,949 S	12/1985	Hartmann et al.		
4,760,720 A	8/1988	Grille		
4,835,996 A	6/1989	Loughlin et al.		
4,843,845 A	7/1989	Poe		
4,852,920 A	8/1989	DeForrest		
4,866,960 A	9/1989	Brower		
4,972,689 A	11/1990	Anderson		
D317,248 S *	6/1991	Poe D8/346		* cited by examiner

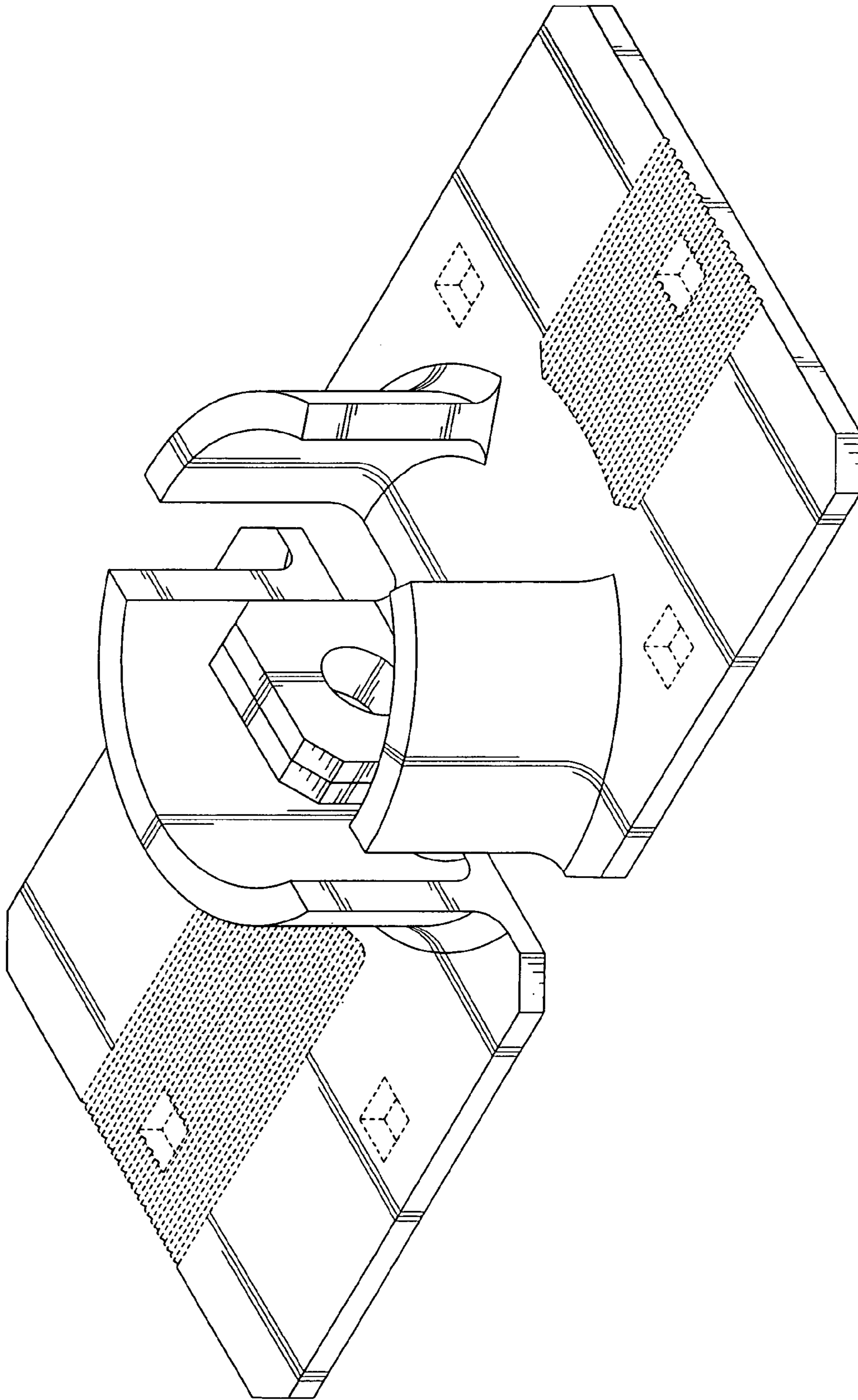


FIG. 1

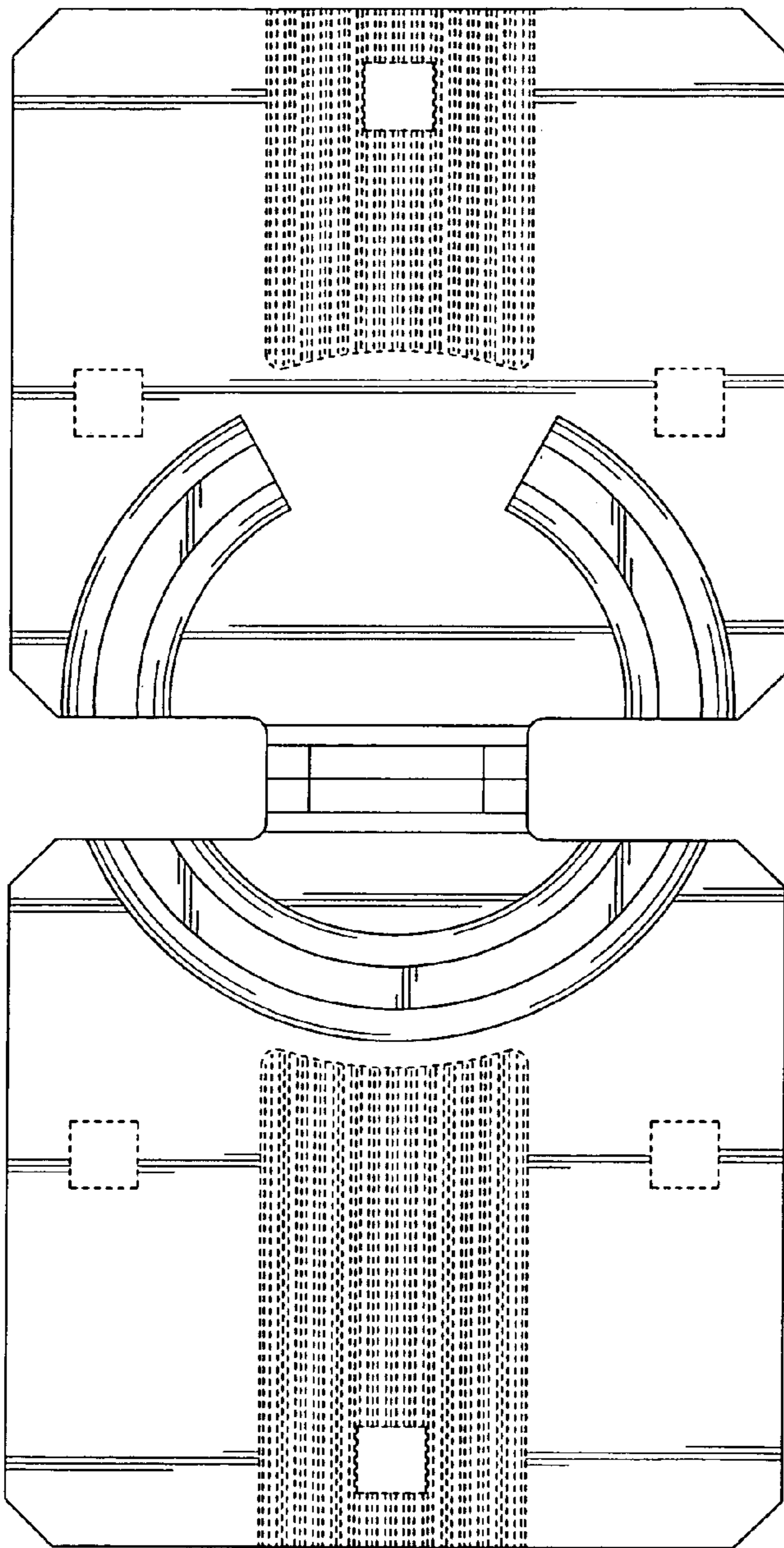


FIG. 2

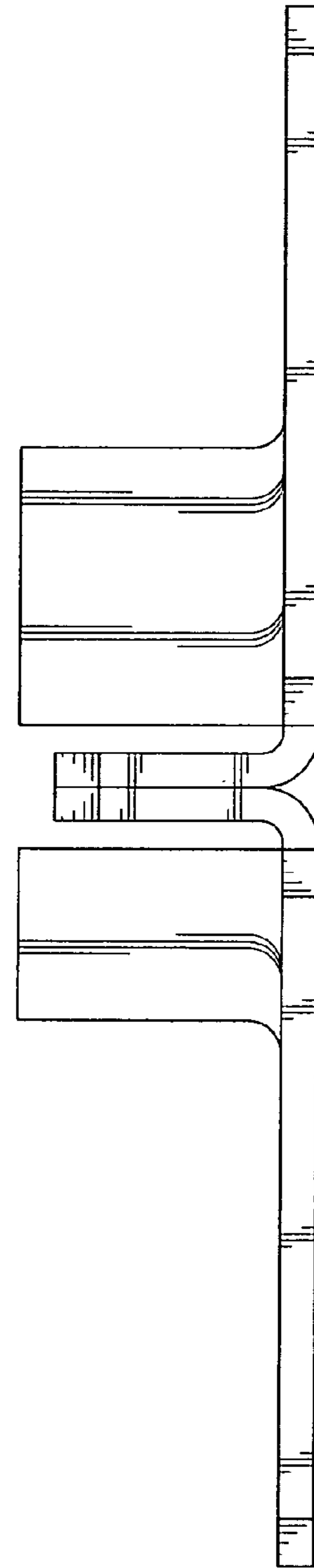


FIG. 3

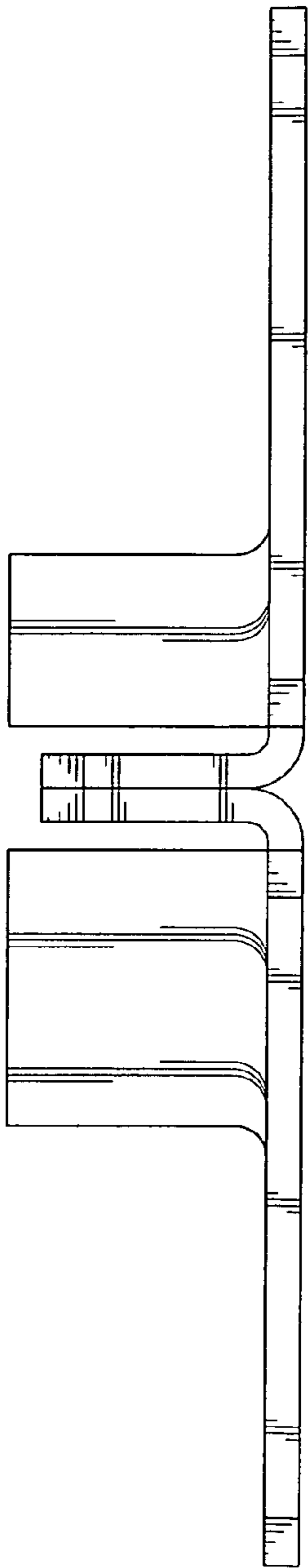


FIG. 4

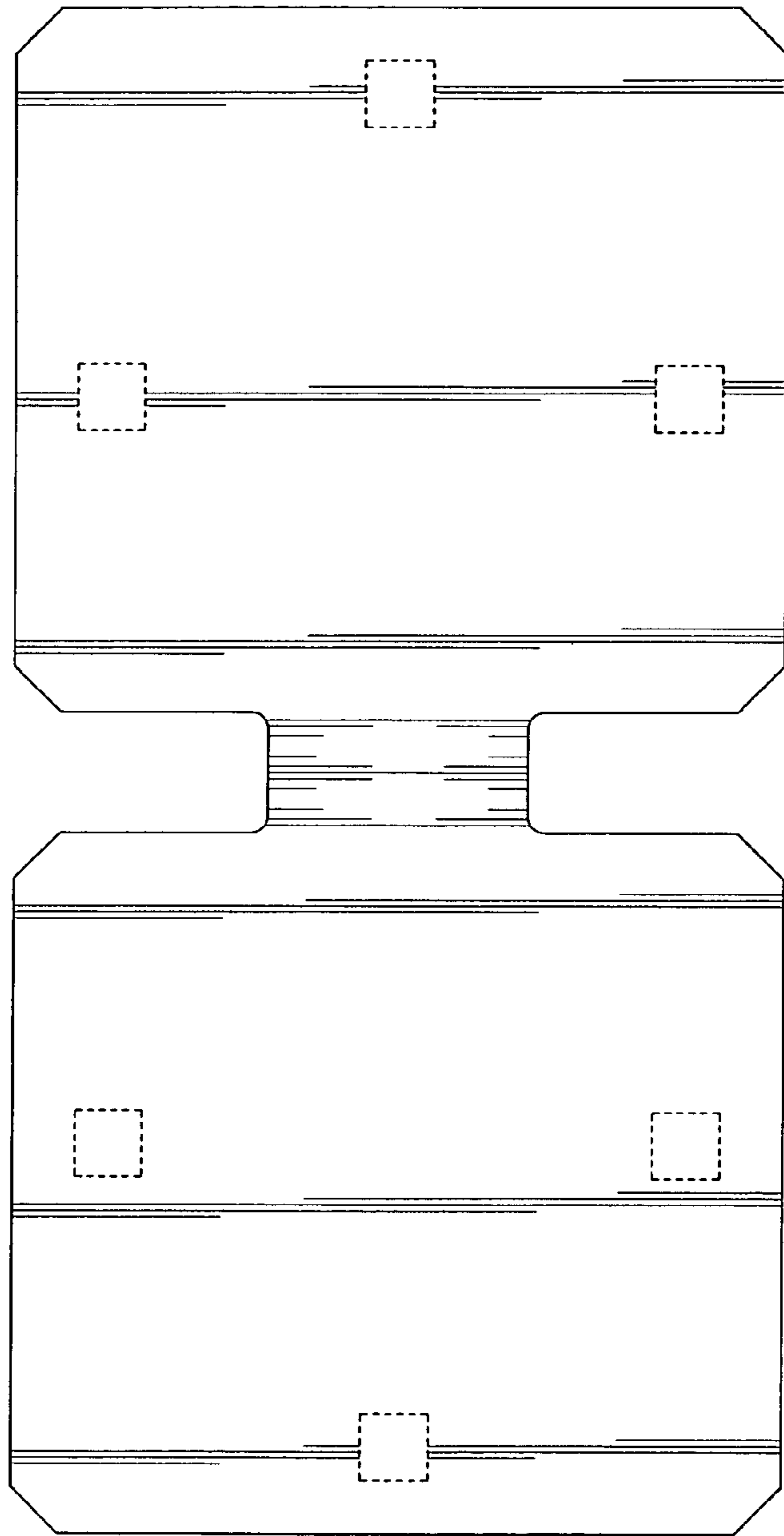


FIG. 5

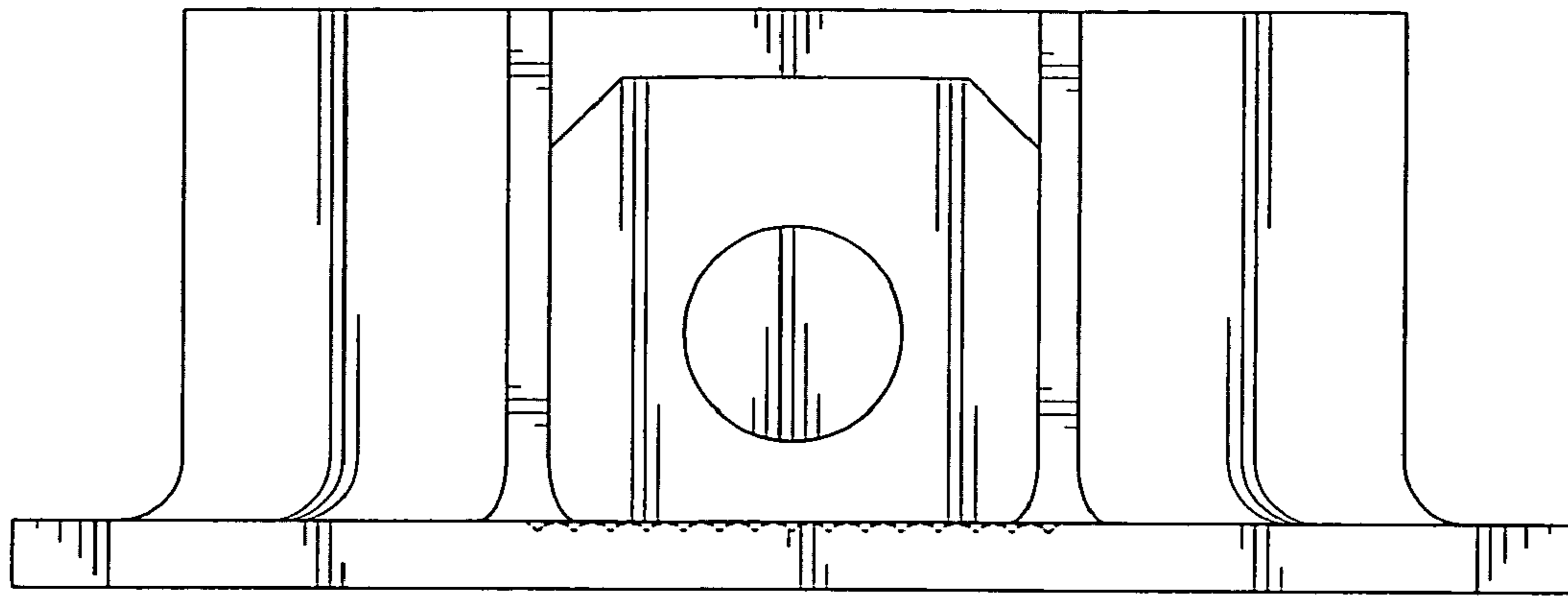


FIG. 6

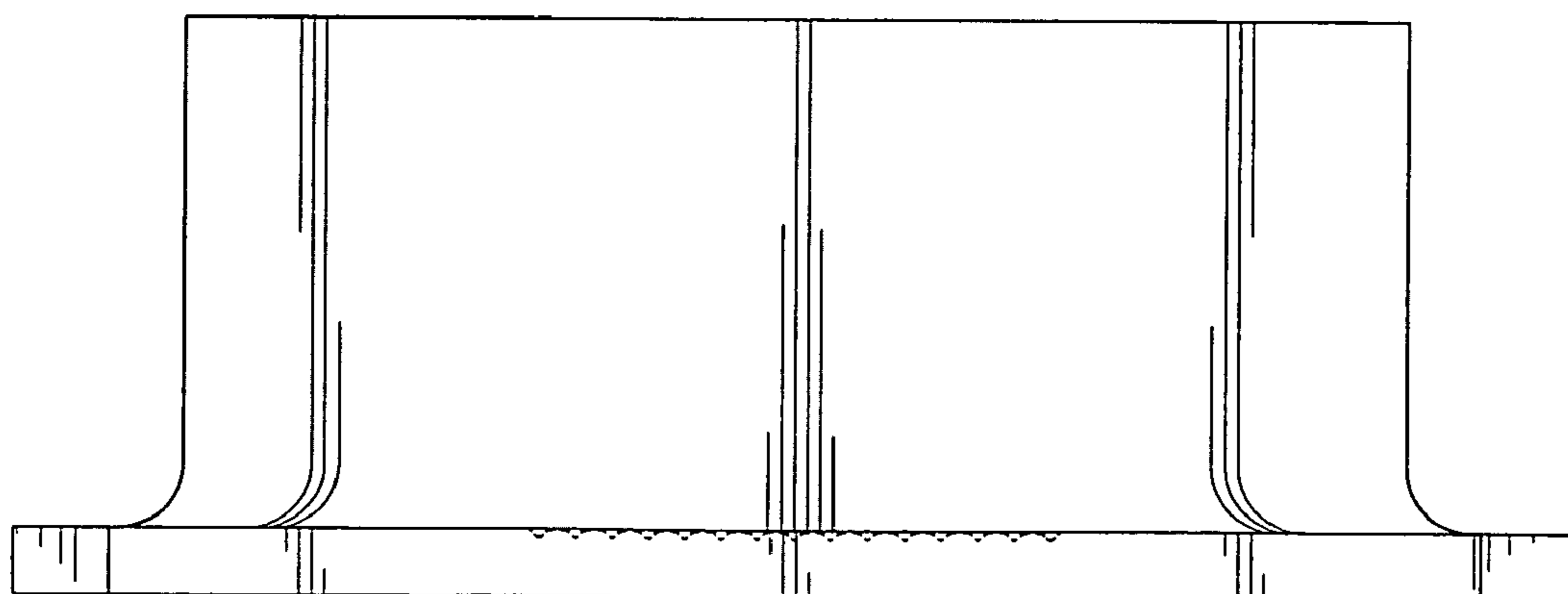


FIG. 7

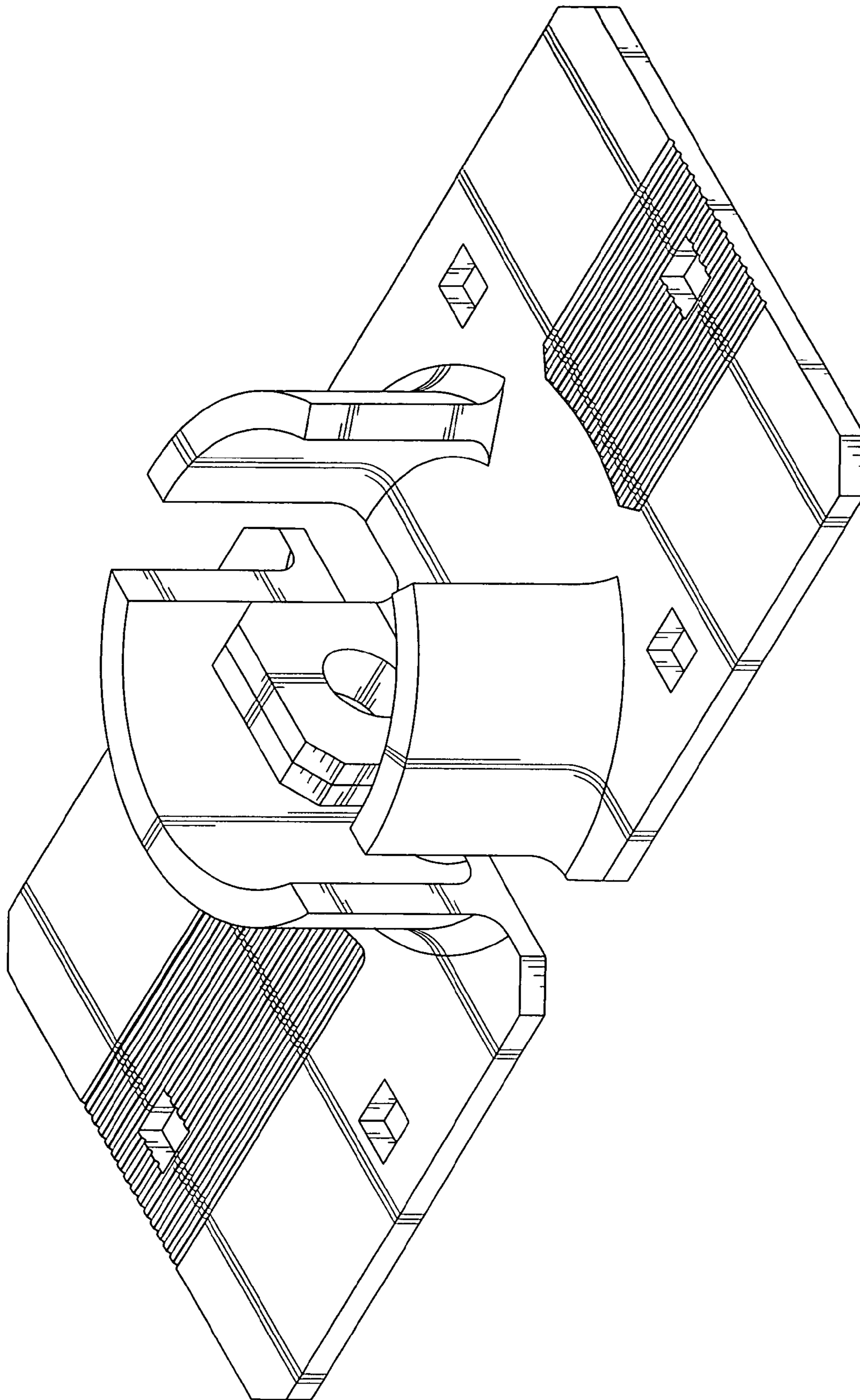


FIG. 8

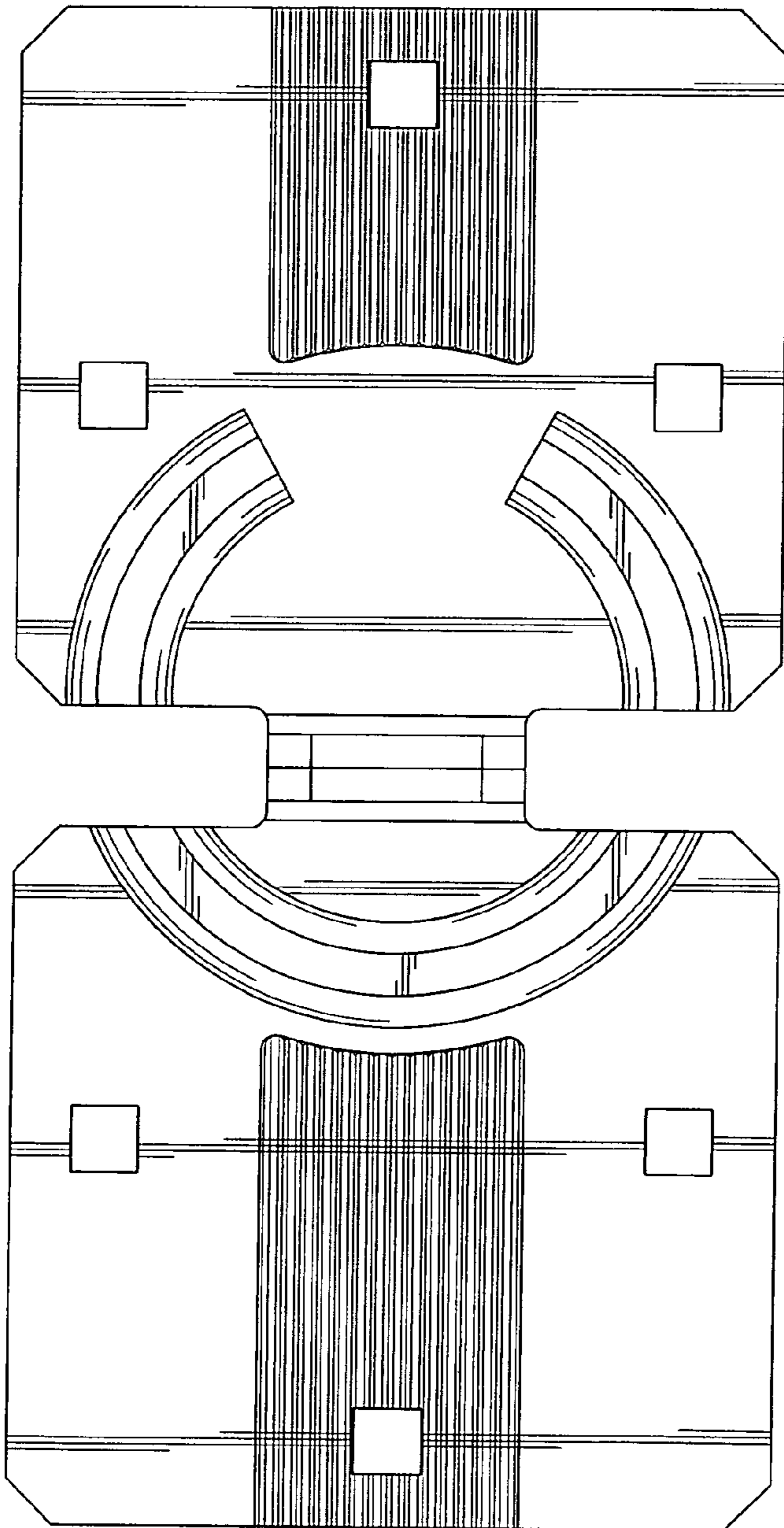


FIG. 9

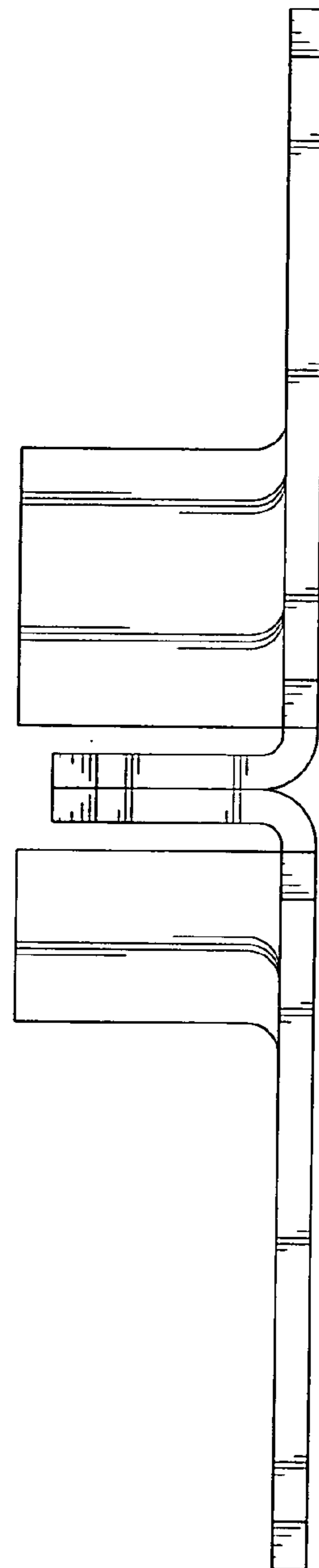


FIG. 10

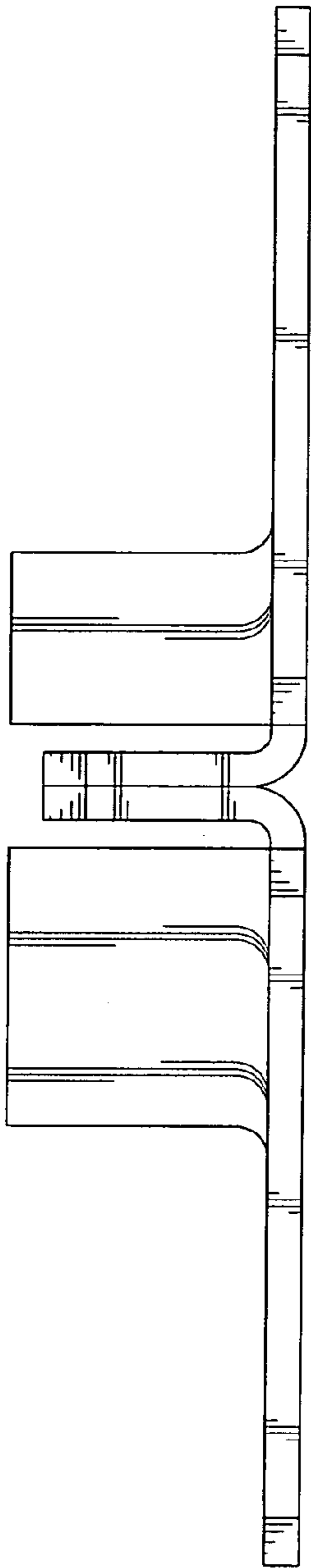


FIG. 11

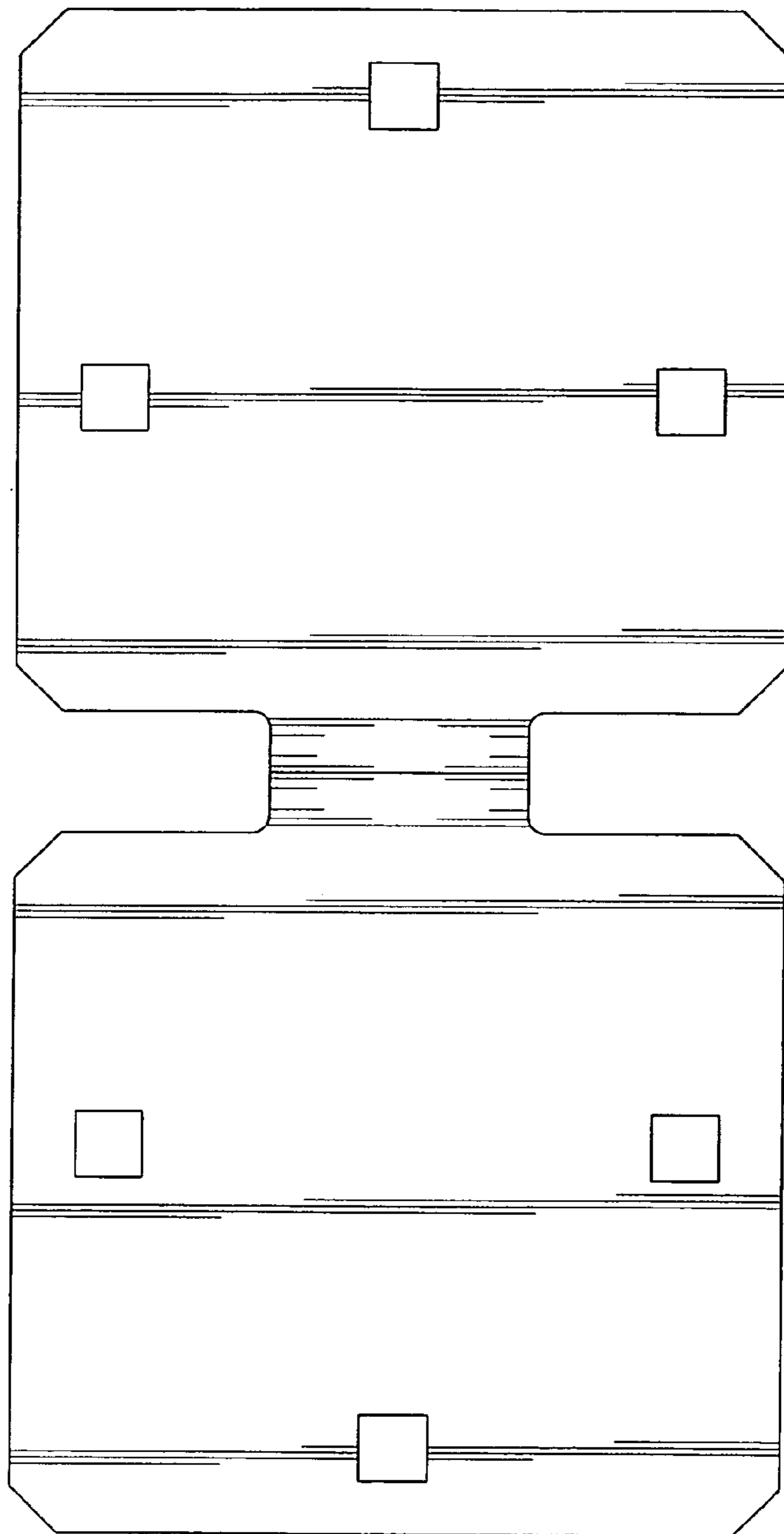


FIG. 12

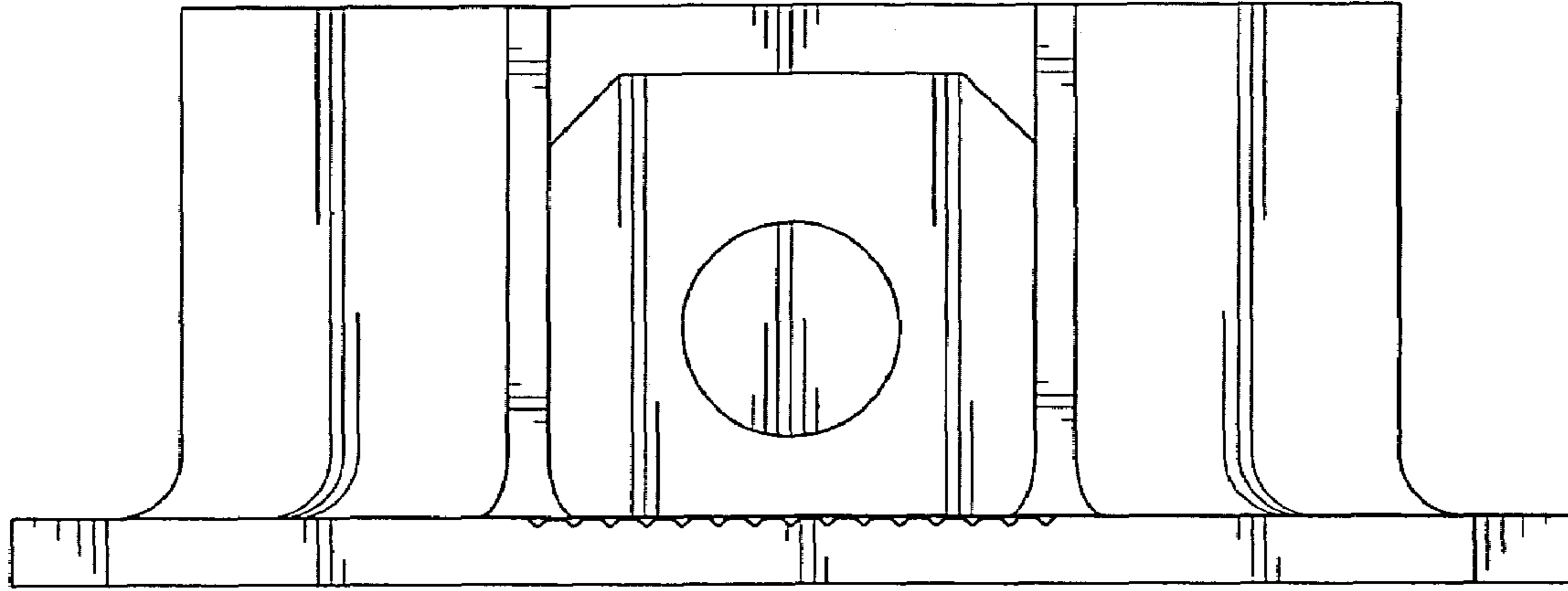


FIG. 13

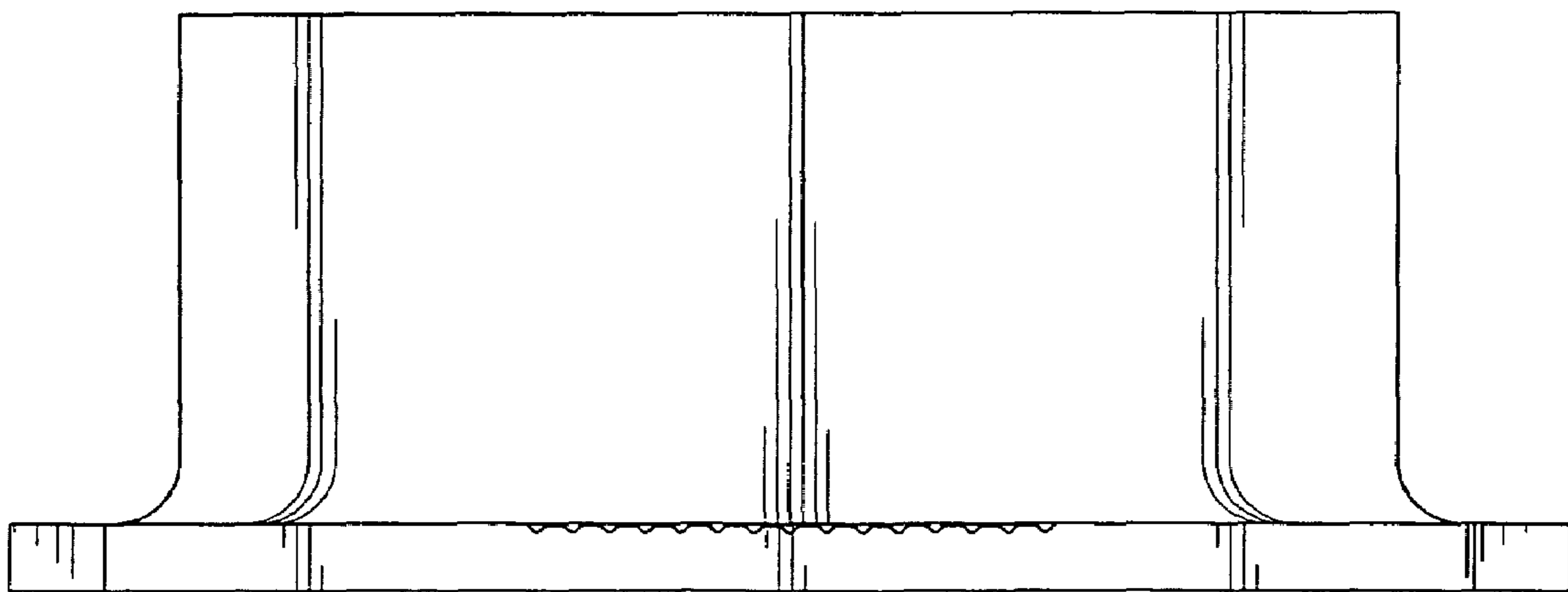


FIG. 14