



US00D561004S

(12) **United States Design Patent**
Bolton

(10) **Patent No.:** **US D561,004 S**

(45) **Date of Patent:** **** Feb. 5, 2008**

(54) **PLUG LOCK**

(76) **Inventor:** **Gregory Bolton**, 6107 Alpine St.,
District Heights, MD (US) 20747

(**) **Term:** **14 Years**

(21) **Appl. No.:** **29/269,238**

(22) **Filed:** **Nov. 25, 2006**

(51) **LOC (8) Cl.** **08-07**

(52) **U.S. Cl.** **D8/343**

(58) **Field of Classification Search** D8/330-348;
292/137, 288-289, 340; 70/57, 58, 77, 431,
70/51, 52, 91, 141; 439/133, 300-304; 200/43.05,
200/43.11, 51.12

See application file for complete search history.

(56) **References Cited**

U.S. PATENT DOCUMENTS

4,445,738 A * 5/1984 Wiencke 439/133
4,579,410 A * 4/1986 Soloman 439/133

4,969,833 A * 11/1990 Lindow et al. 439/133
D462,004 S * 8/2002 Jenks D8/343
D520,861 S * 5/2006 Jornod et al. D8/343

* cited by examiner

Primary Examiner—Mitchell Siegel

(57) **CLAIM**

I claim, the ornamental design for the plug lock, as shown and described.

DESCRIPTION

FIG. 1 is a front elevational view of the plug lock showing my new design;

FIG. 2 is a rear elevational view of the plug lock thereof;

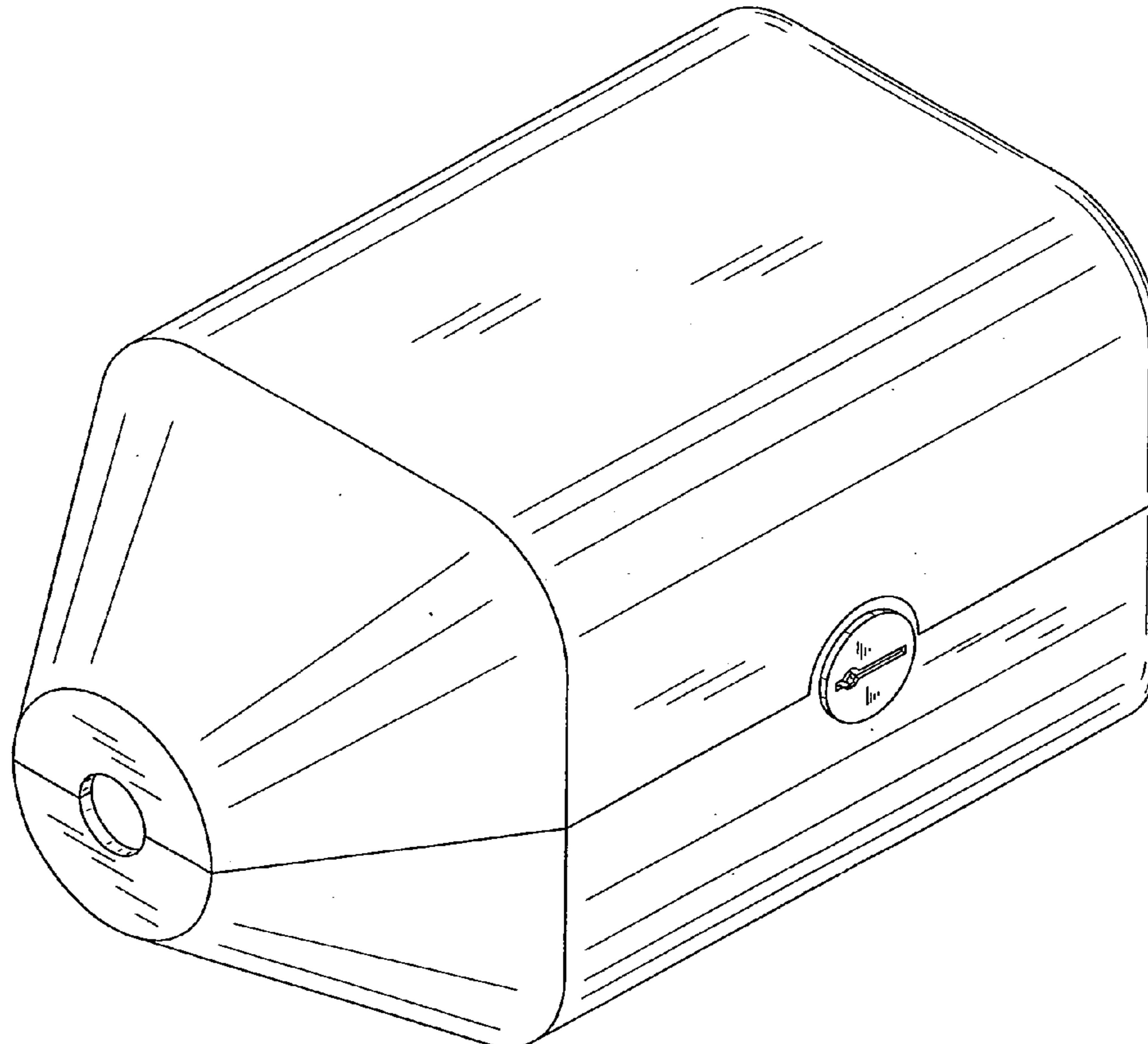
FIG. 3 is a left-side elevational view of the plug lock thereof;

FIG. 4 is right side view elevational of the plug lock thereof;

FIG. 5 is a top plan view of the plug lock thereof; and,

FIG. 6 is a perspective view of the plug lock thereof.

1 Claim, 3 Drawing Sheets



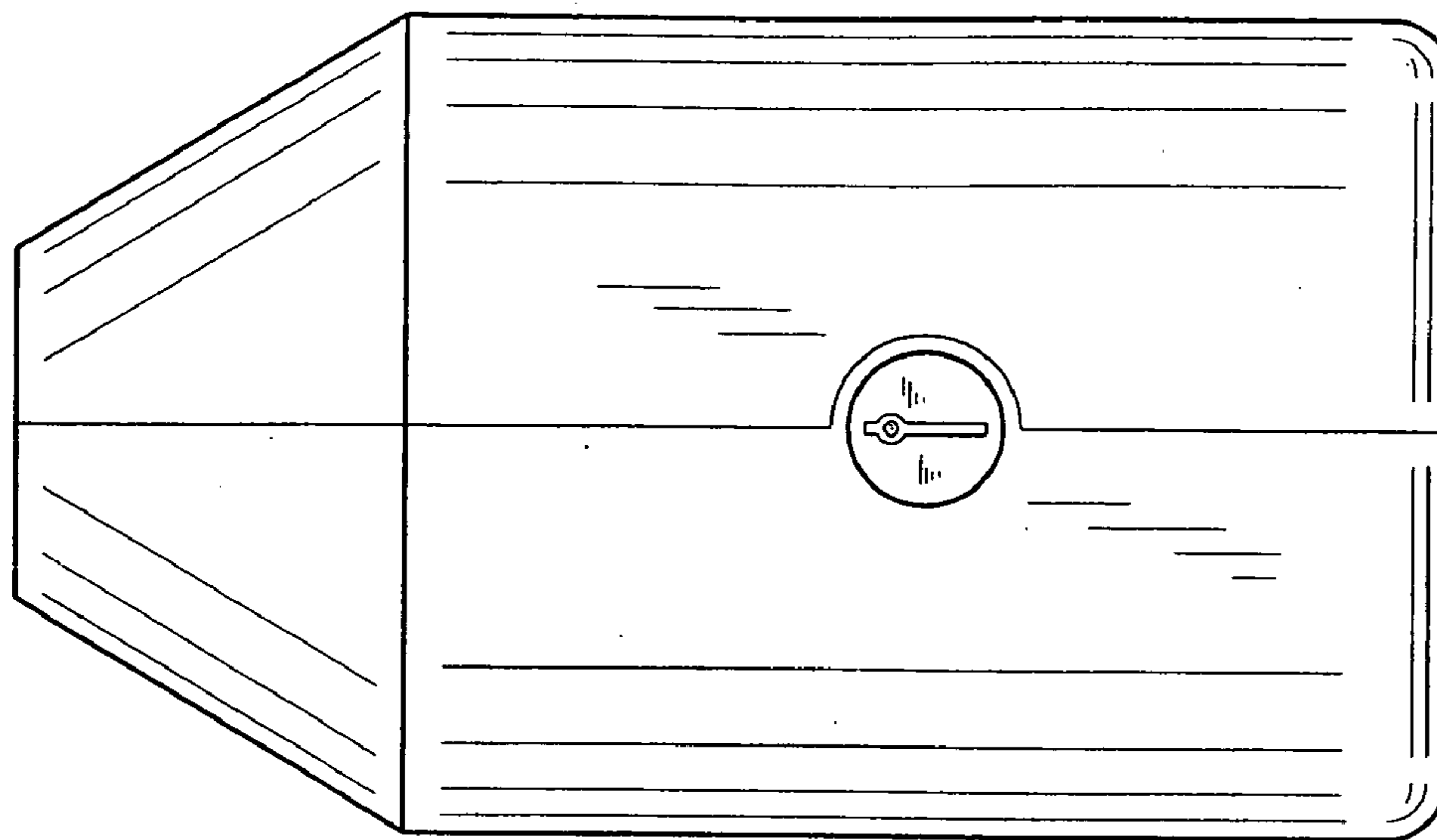


FIG. 1

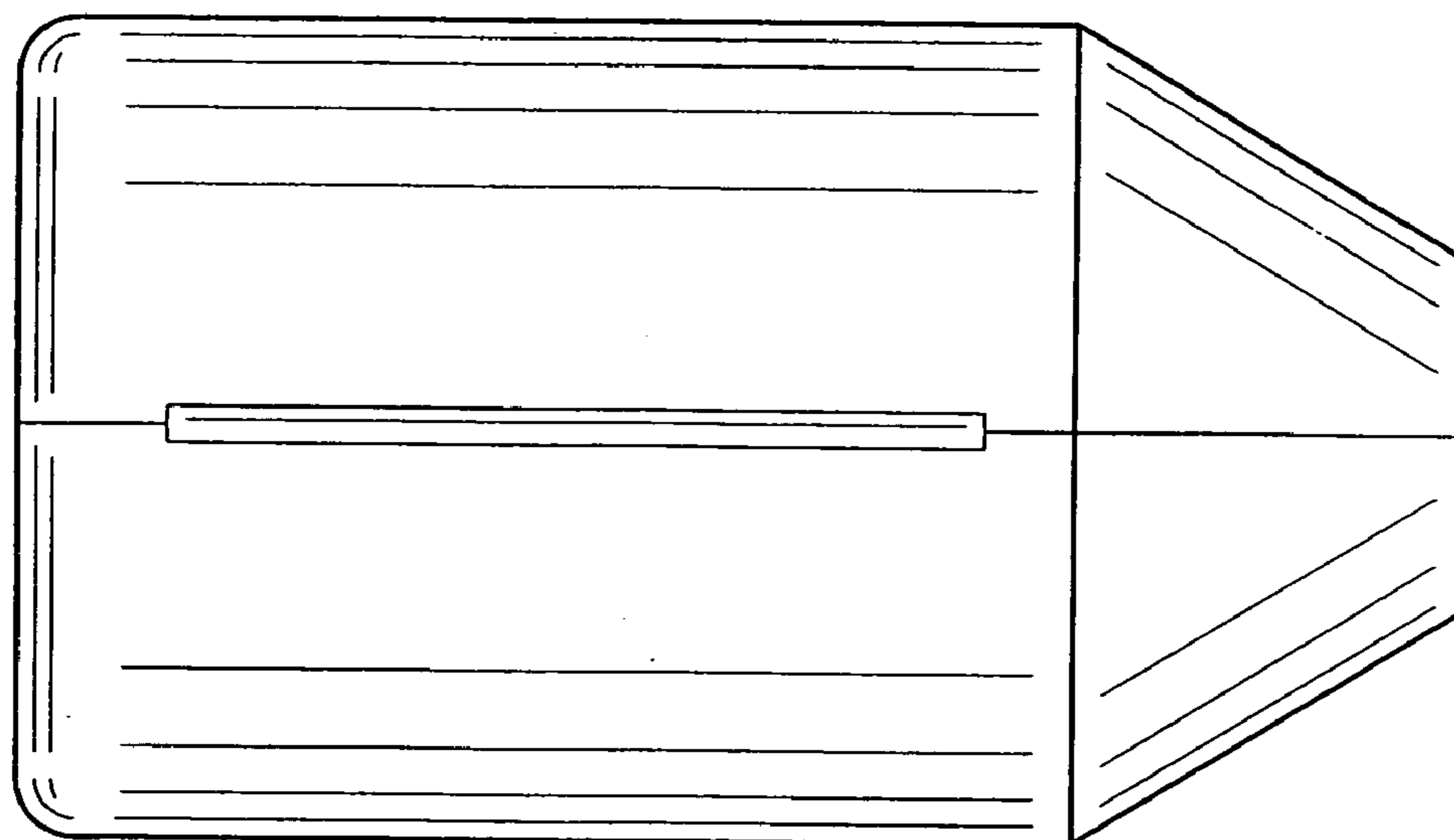


FIG. 2

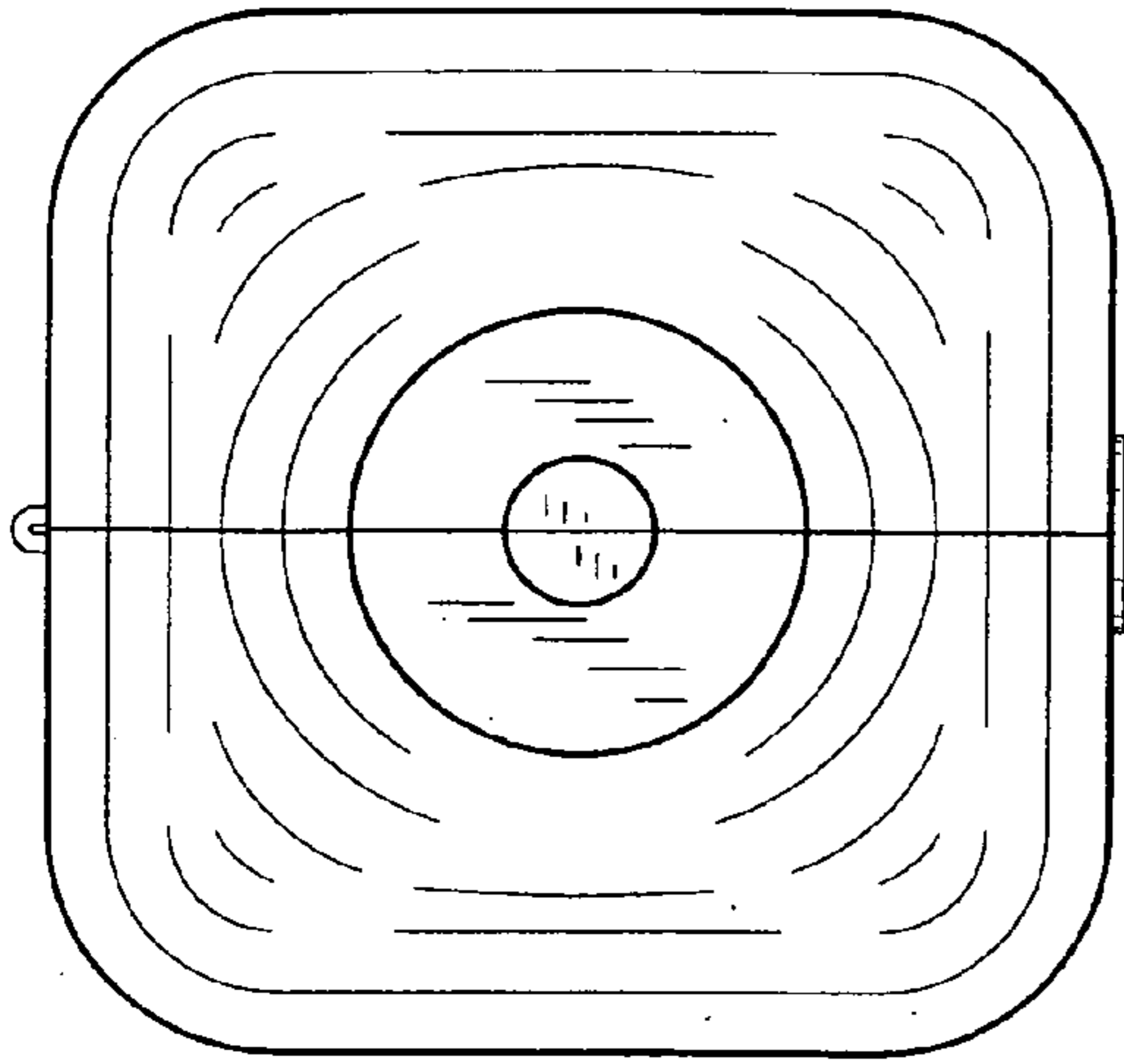


FIG. 3

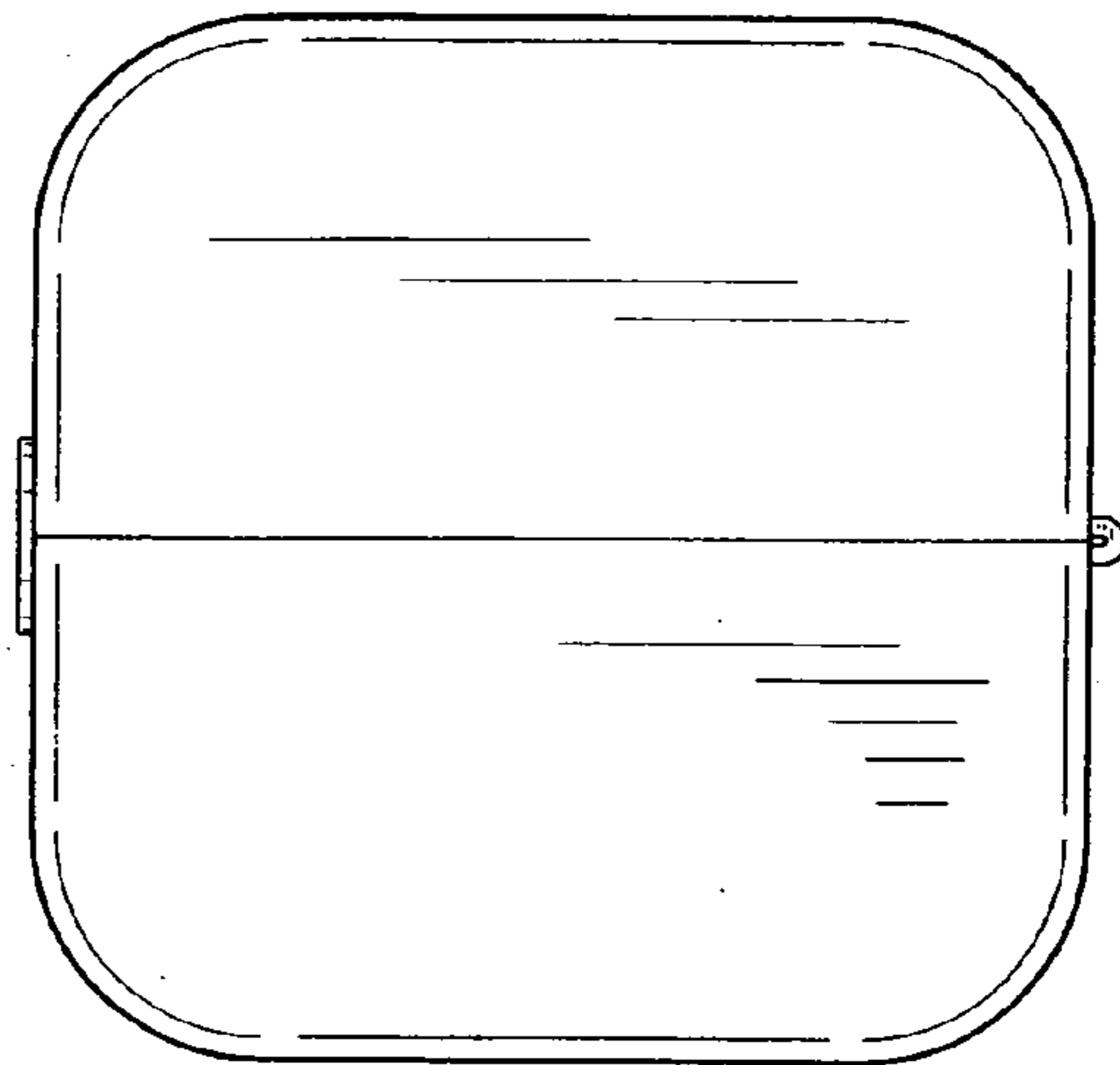


FIG. 4

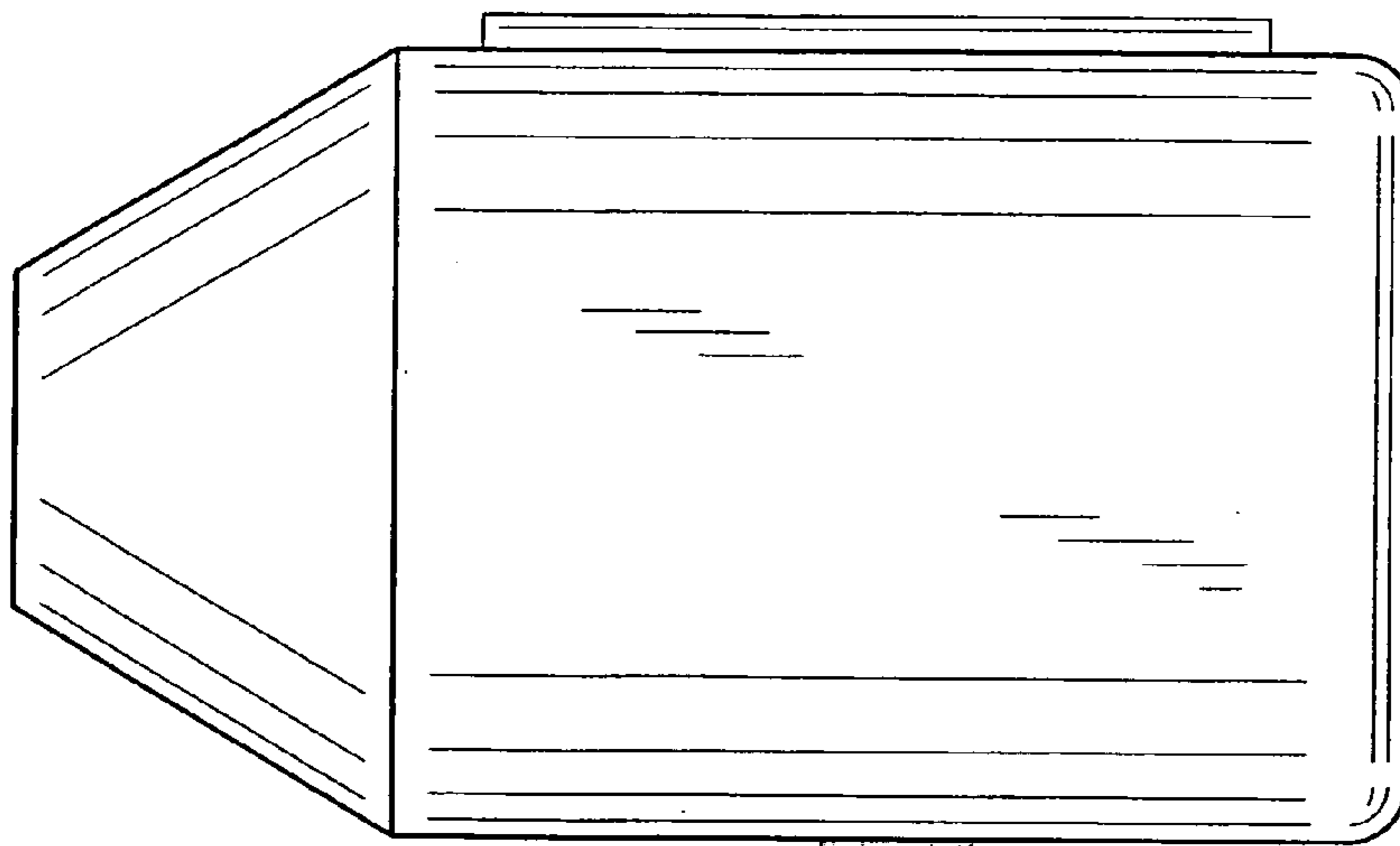


FIG. 5

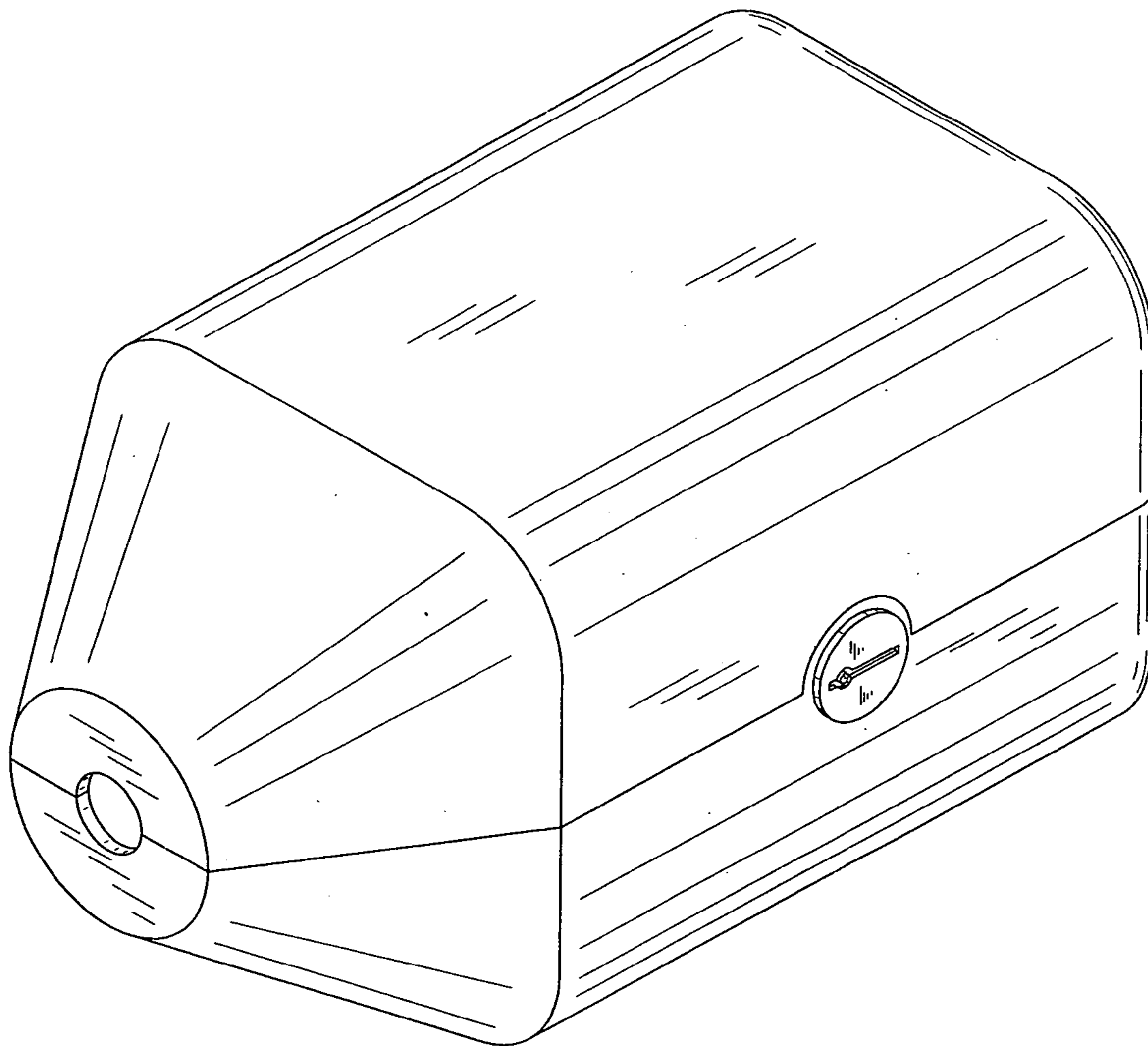


FIG. 6