



US00D561002S

(12) **United States Design Patent**  
**Janethana-arthakij**

(10) **Patent No.:** **US D561,002 S**

(45) **Date of Patent:** **\*\* Feb. 5, 2008**

(54) **DISC TUMBLER**

(76) Inventor: **Suvichai Janethana-arthakij**, 437 Moo  
2 Bangpakok, Ratburana, Bangkok  
10140 (TH)

(\*\*) Term: **14 Years**

(21) Appl. No.: **29/269,175**

(22) Filed: **Nov. 22, 2006**

(30) **Foreign Application Priority Data**

Jun. 5, 2006 (TH) ..... 0602001465

(51) **LOC (8) Cl.** ..... **08-07**

(52) **U.S. Cl.** ..... **D8/343**

(58) **Field of Classification Search** ..... D8/330-348;  
70/134, 352, 492, 377, 382, 366-369  
See application file for complete search history.

(56) **References Cited**

**U.S. PATENT DOCUMENTS**

1,725,557	A *	8/1929	Baird	.....	70/492
3,735,614	A *	5/1973	Keller-Volper	.....	70/377
4,398,405	A *	8/1983	Patriquin	.....	70/369
4,416,129	A *	11/1983	Thimot	.....	70/369
4,644,768	A *	2/1987	Nowak et al.	.....	70/492
4,672,827	A *	6/1987	Craig	.....	70/367

4,972,695	A *	11/1990	Mochida et al.	.....	70/492
5,088,305	A *	2/1992	Myers	.....	70/369
6,148,652	A *	11/2000	Magini et al.	.....	70/394
6,725,696	B1 *	4/2004	Blight et al.	.....	70/366
7,178,371	B2 *	2/2007	Lindstrom	.....	70/134
2005/0126237	A1 *	6/2005	Lindstrom	.....	70/352

\* cited by examiner

*Primary Examiner*—Mitchell Siegel  
(74) *Attorney, Agent, or Firm*—Pearne & Gordon LLP

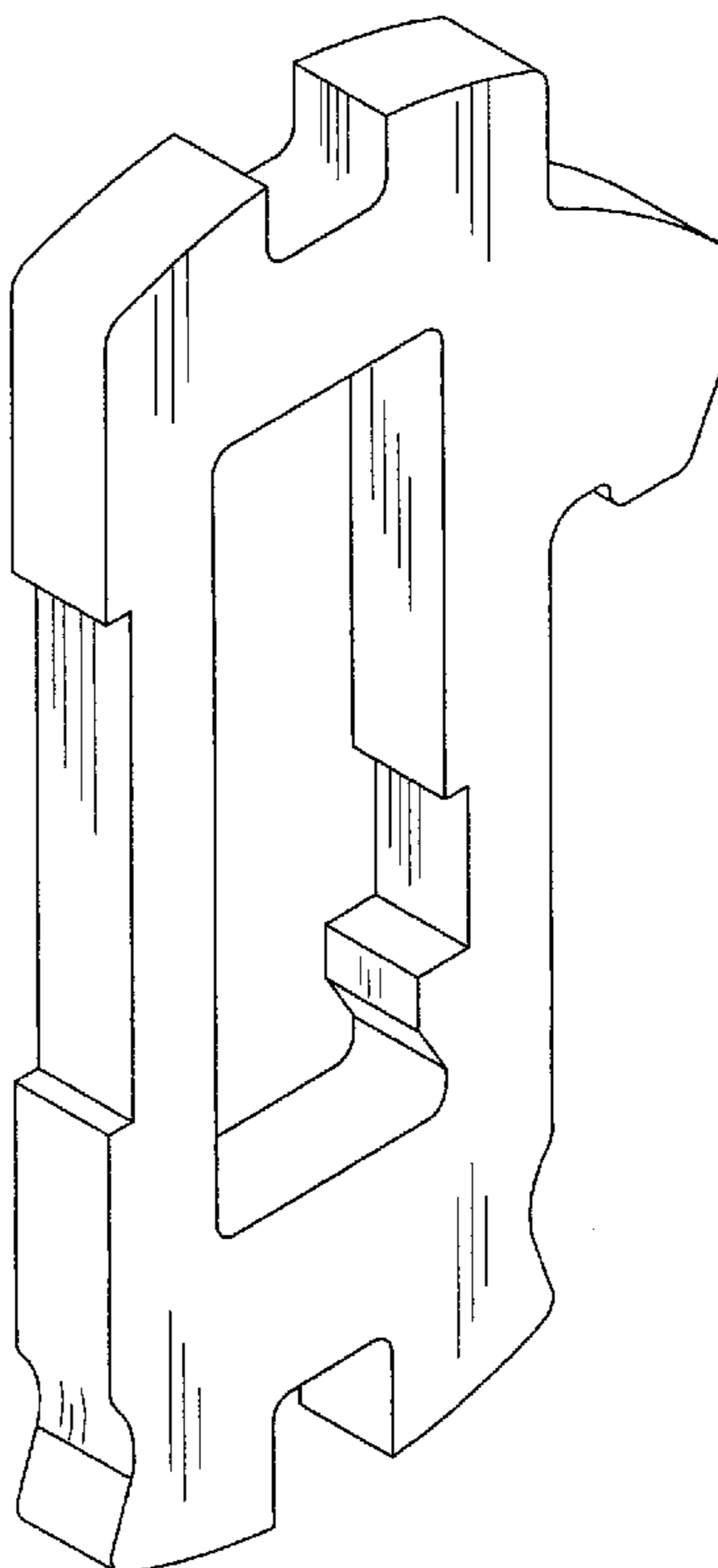
(57) **CLAIM**

The ornamental design for a disc tumbler, as shown and described.

**DESCRIPTION**

FIG. 1 is a front elevational view of a disc tumbler, showing my new design;  
FIG. 2 is a back elevational view thereof;  
FIG. 3 is a bottom plan view thereof;  
FIG. 4 is a top plan view thereof;  
FIG. 5 is a right side elevational view thereof;  
FIG. 6 is a left side elevational view thereof; and,  
FIG. 7 is a perspective view thereof.

**1 Claim, 7 Drawing Sheets**



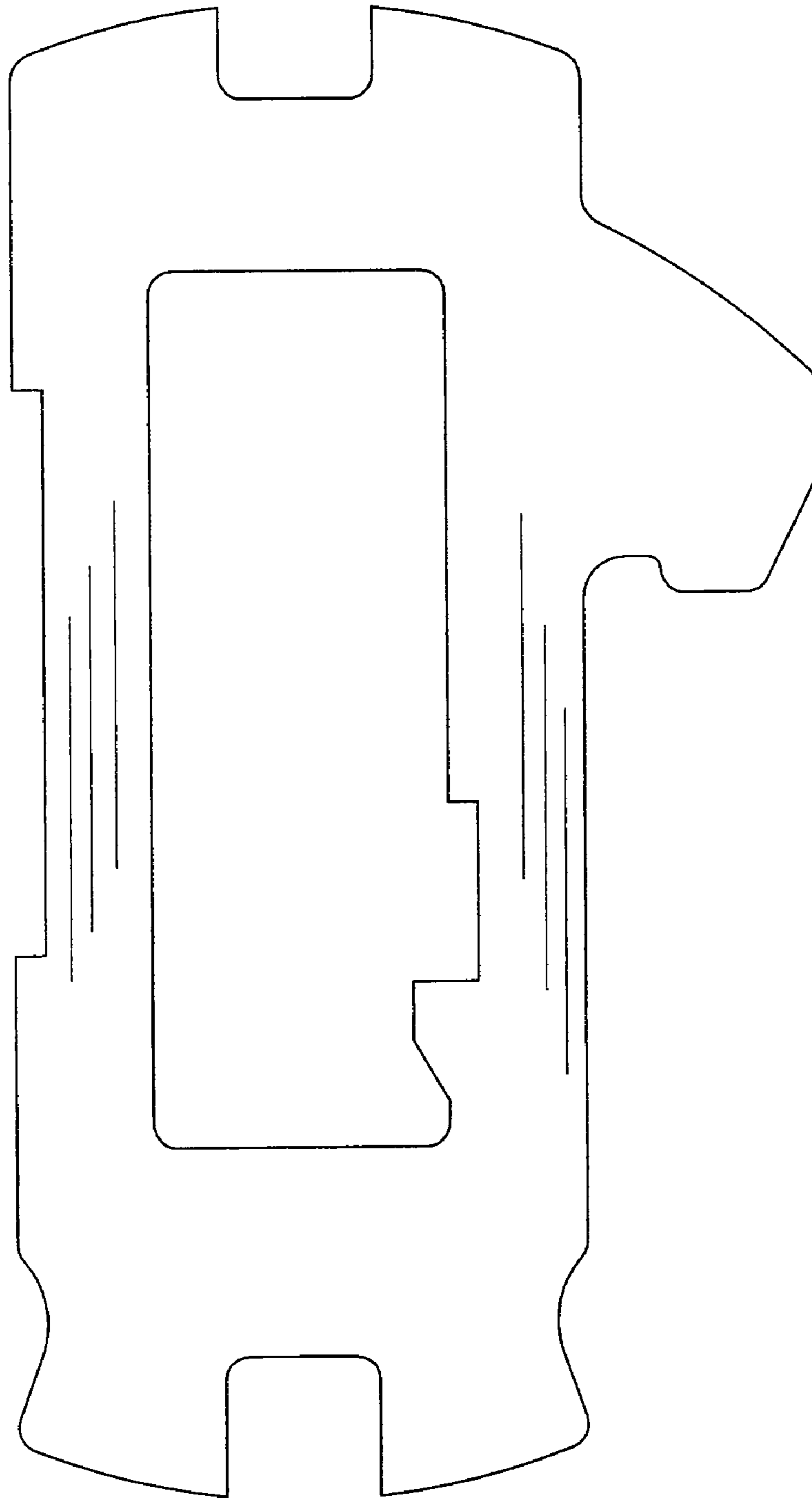


FIG. 1

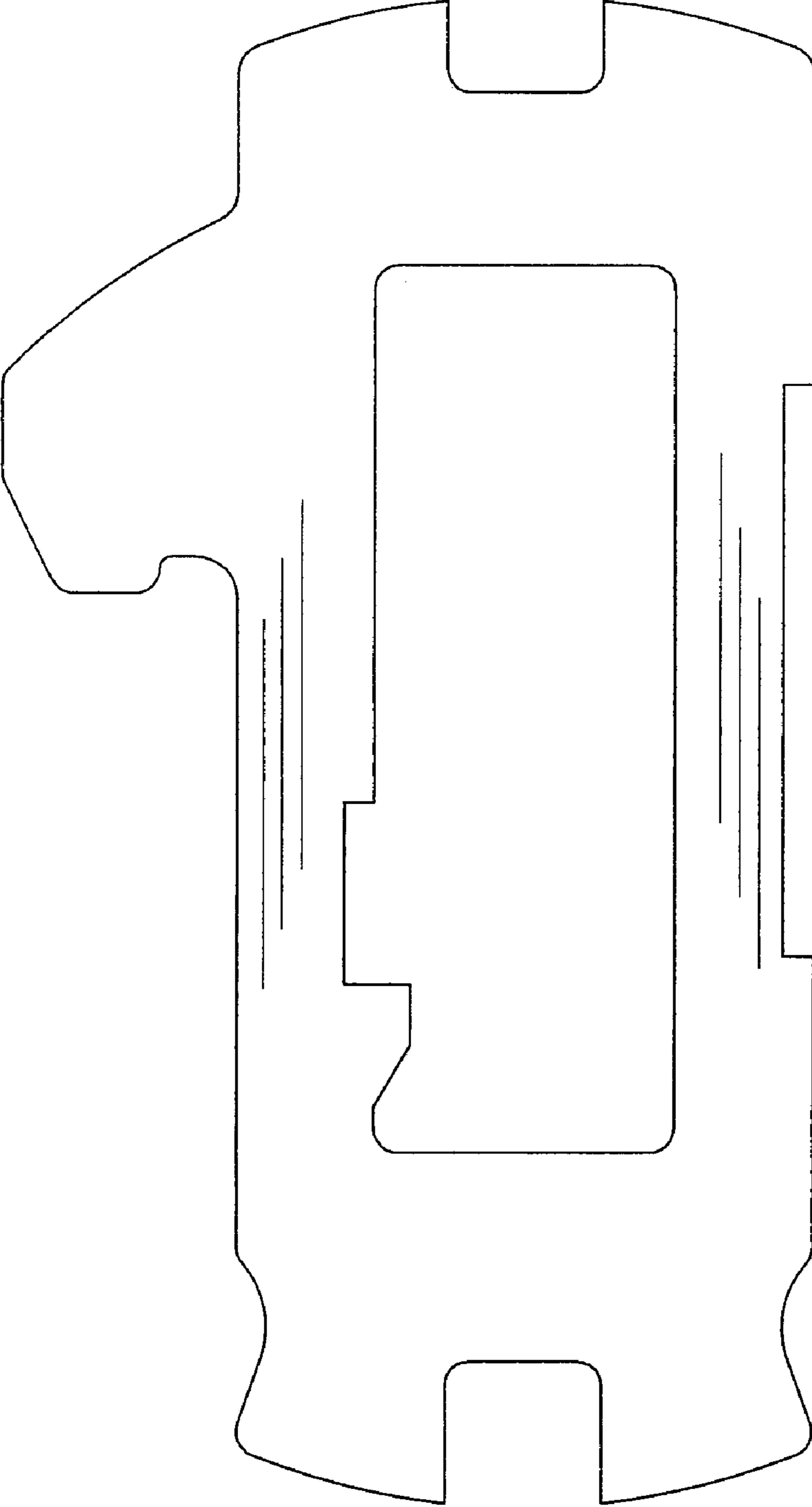


FIG. 2

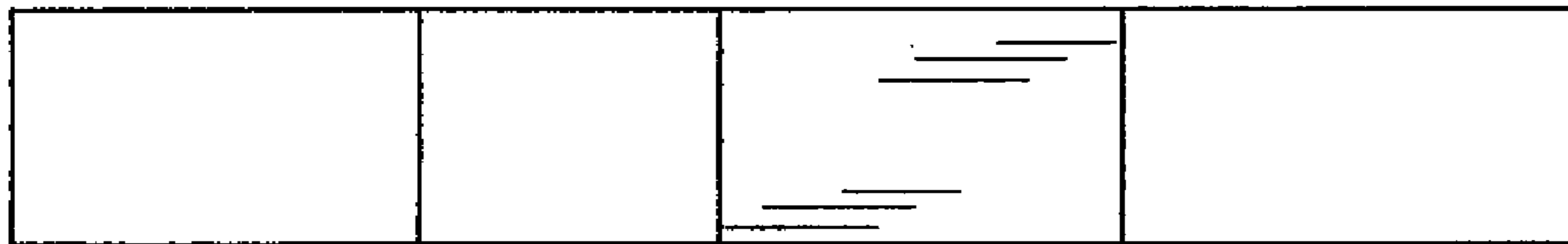


FIG. 3

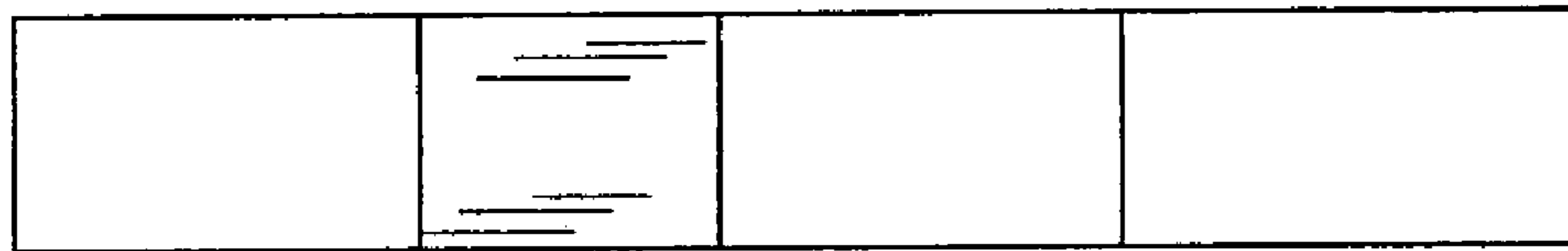


FIG. 4

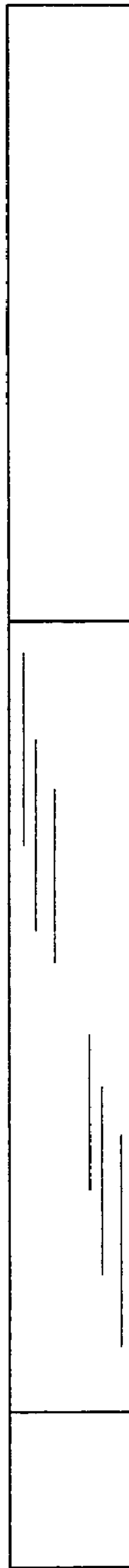


FIG. 5

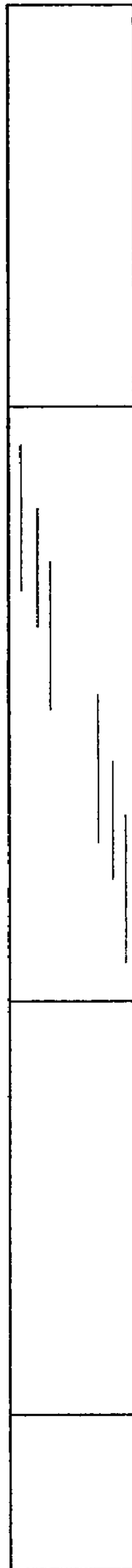


FIG. 6

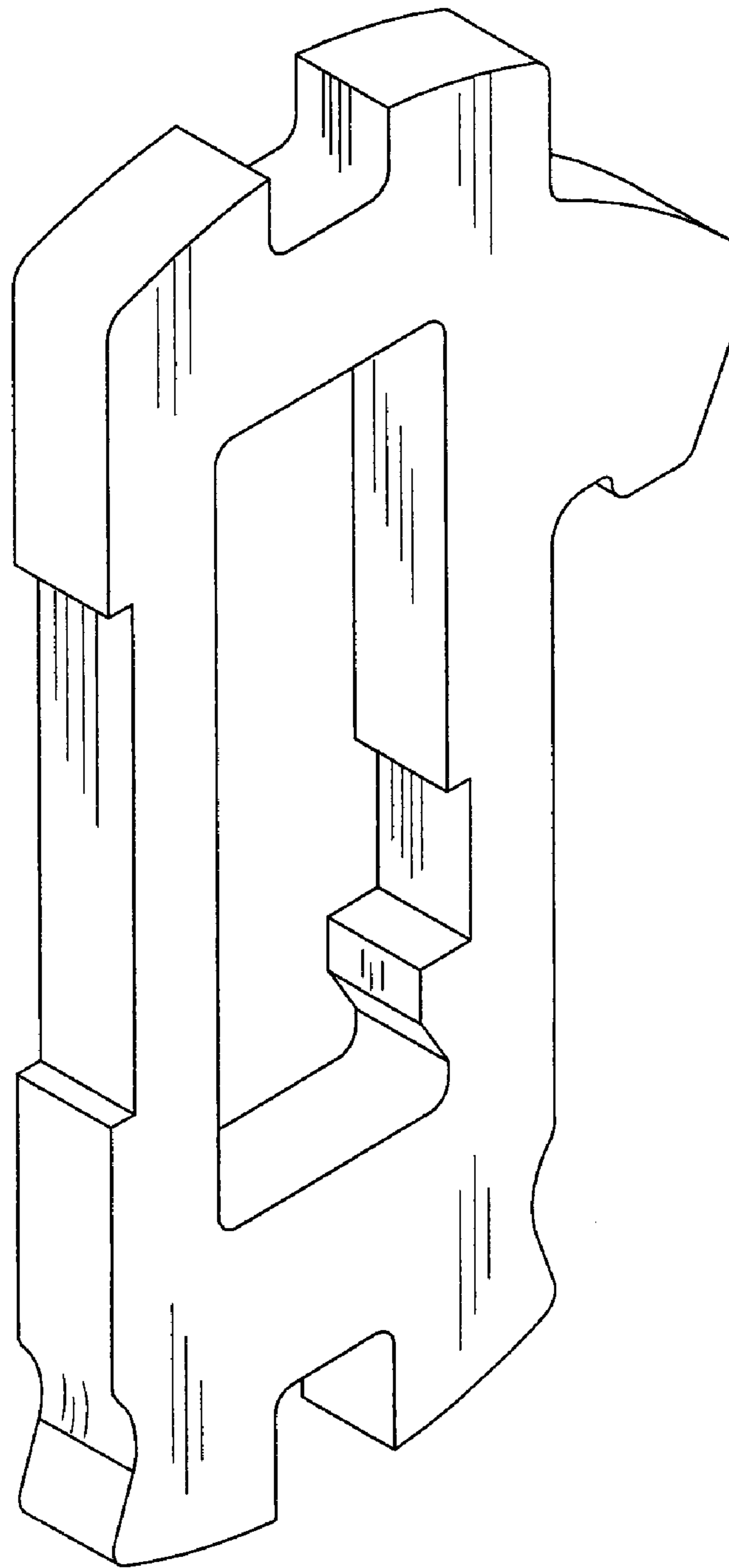


FIG. 7