



US00D561001S

(12) **United States Design Patent** (10) **Patent No.:** **US D561,001 S**  
**Rohde et al.** (45) **Date of Patent:** **\*\* Feb. 5, 2008**

(54) **LOCK**

(75) Inventors: **Christopher Rohde**, West Allis, WI (US); **John Blomstrom**, Milwaukee, WI (US)

(73) Assignee: **Master Lock Company LLC**, Oak Creek, WI (US)

(\*\*) Term: **14 Years**

(21) Appl. No.: **29/269,946**

(22) Filed: **Dec. 12, 2006**

(51) **LOC (8) Cl.** ..... **08-07**

(52) **U.S. Cl.** ..... **D8/334**

(58) **Field of Classification Search** ..... D8/330-348;  
70/14, 20-22, 24, 27, 31, 35, 41, 52, 278.1,  
70/286, 370, 417

See application file for complete search history.

(56) **References Cited**

**U.S. PATENT DOCUMENTS**

1,016,455 A	2/1912	Stone	
5,127,244 A	7/1992	Myers	
D336,030 S	6/1993	Falk et al.	
5,345,794 A *	9/1994	Jenks	70/14
D416,467 S	11/1999	Catellanos et al.	
D422,893 S	4/2000	Heredos-Formby	
D427,884 S *	7/2000	Castellanos et al.	D8/334
D433,314 S	11/2000	Mimlitch et al.	
D484,777 S	1/2004	Ruan	

**OTHER PUBLICATIONS**

The "500 series padlock" advertisement on the internet site of Zone Security, Mar. 10, 2005.  
The "Hockey Puck Door Lock" advertisement on the internet site of The Hitch Corner, Mar. 14, 2005.

\* cited by examiner

*Primary Examiner*—Mitchell Siegel  
(74) *Attorney, Agent, or Firm*—Calfee, Halter & Griswold LLP

(57) **CLAIM**

We claim the ornamental design for a lock, as shown and described.

**DESCRIPTION**

FIG. 1 is a perspective view of a lock made in accordance with an embodiment of the new design;

FIG. 2 is a top view of the lock of FIG. 1;

FIG. 3 is a bottom view of the lock of FIG. 1;

FIG. 4 is a front elevation view of the lock of FIG. 1;

FIG. 5 is a left side view of the lock of FIG. 1;

FIG. 6 is a right side view of the lock of FIG. 1;

FIG. 7 is a rear view of the lock of FIG. 1;

FIG. 8 is a perspective view of a second embodiment of a lock as disclosed in FIG. 1;

FIG. 9 is a top view of the lock of FIG. 8; and

FIG. 10 is a bottom view of the lock of FIG. 8;

FIG. 11 is a front elevation view of the lock of FIG. 8;

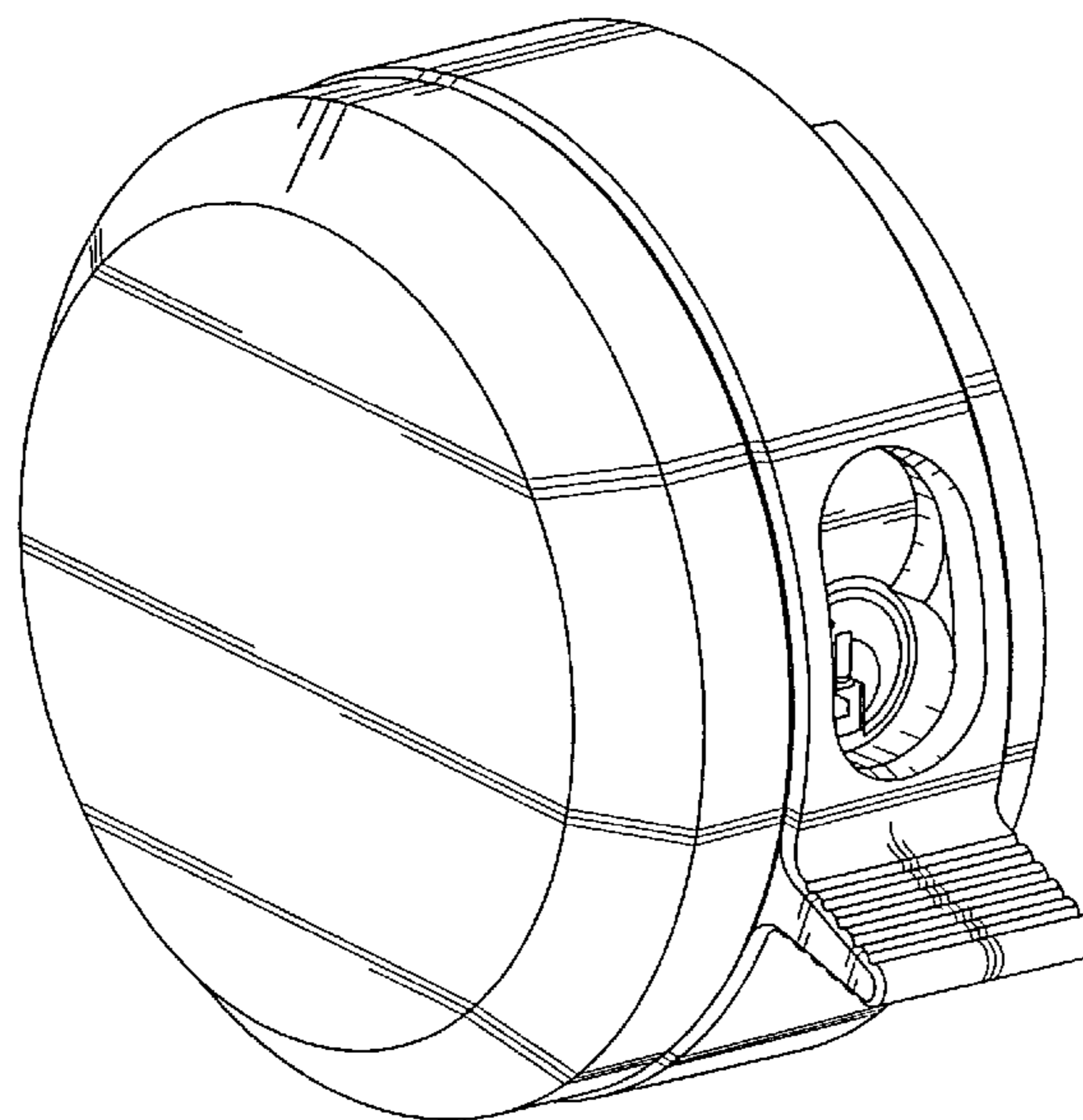
FIG. 12 is a left side view of the lock of FIG. 8;

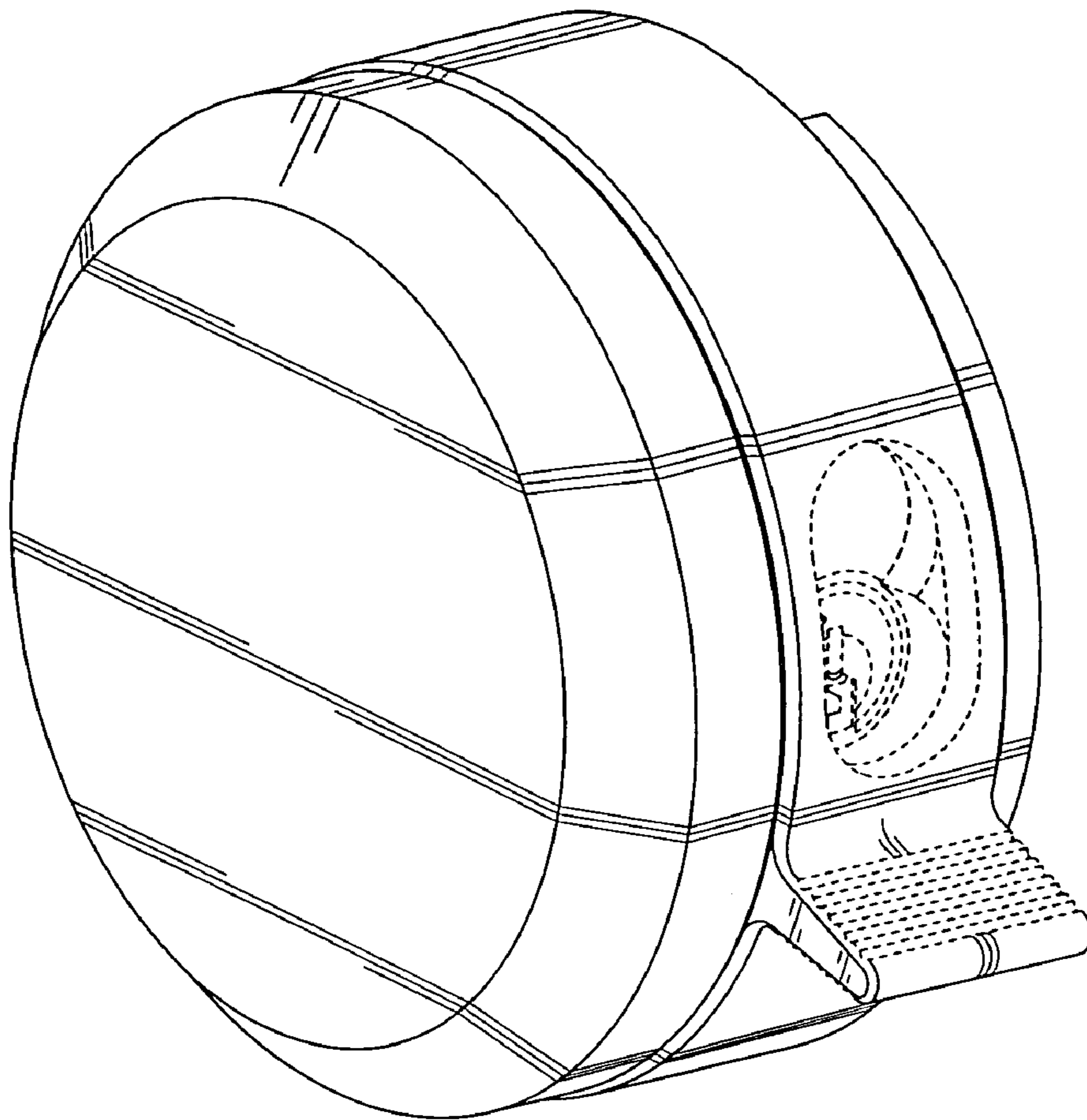
FIG. 13 is a right side view of the lock of FIG. 8; and,

FIG. 14 is a rear view of the lock of FIG. 8.

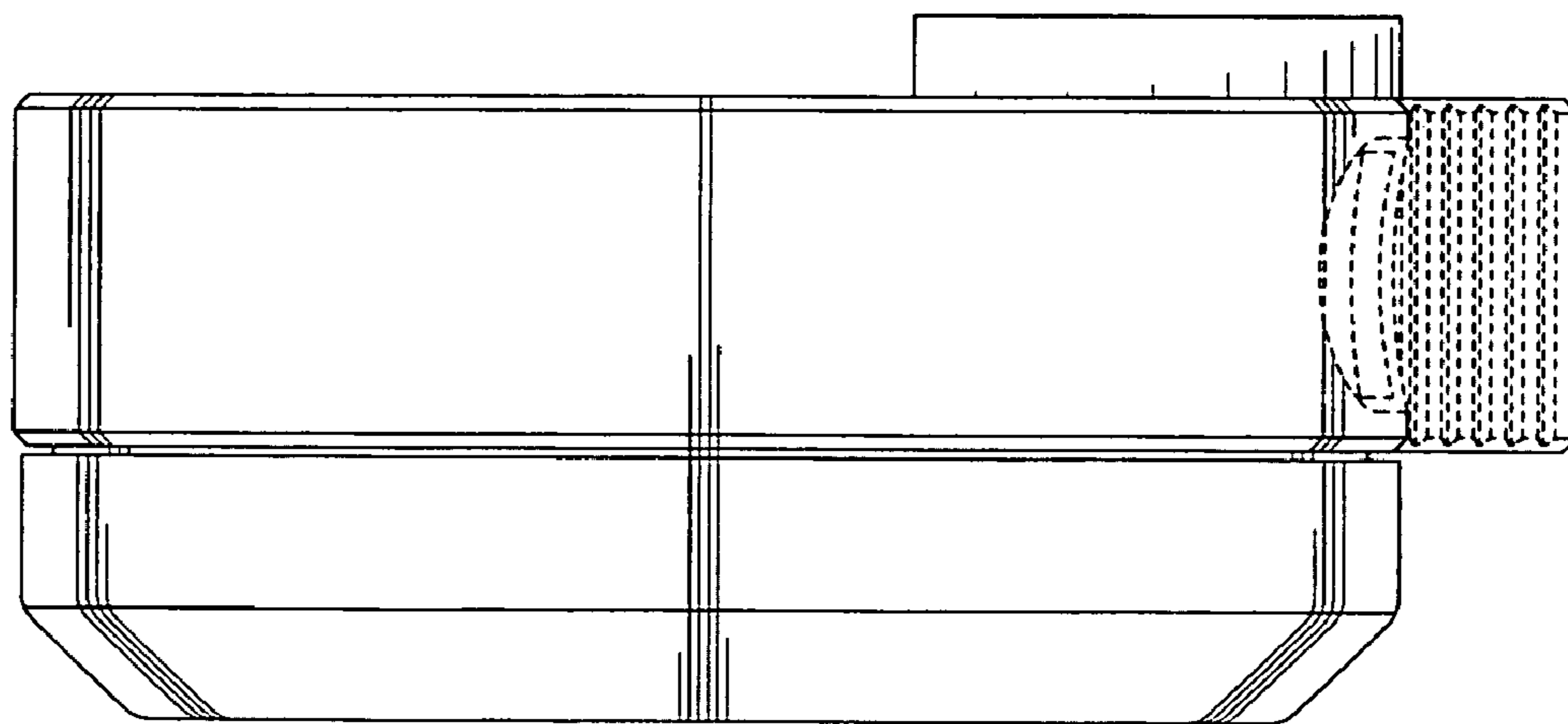
The portions of the Figures shown in phantom lines form no part of the claimed design, but are directed to environment and for illustrative purposes only, or are to define the boundaries of the claimed design.

**1 Claim, 6 Drawing Sheets**

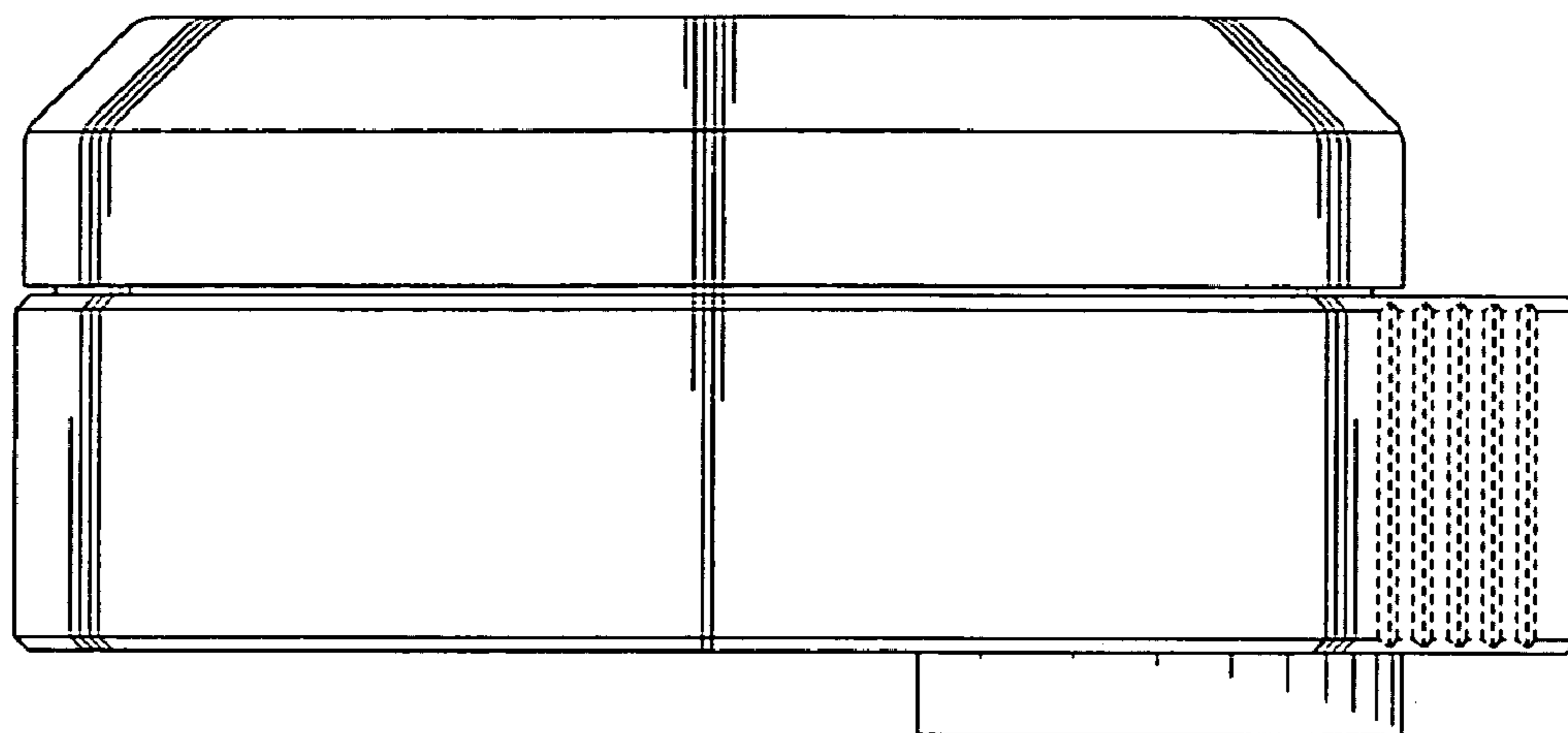




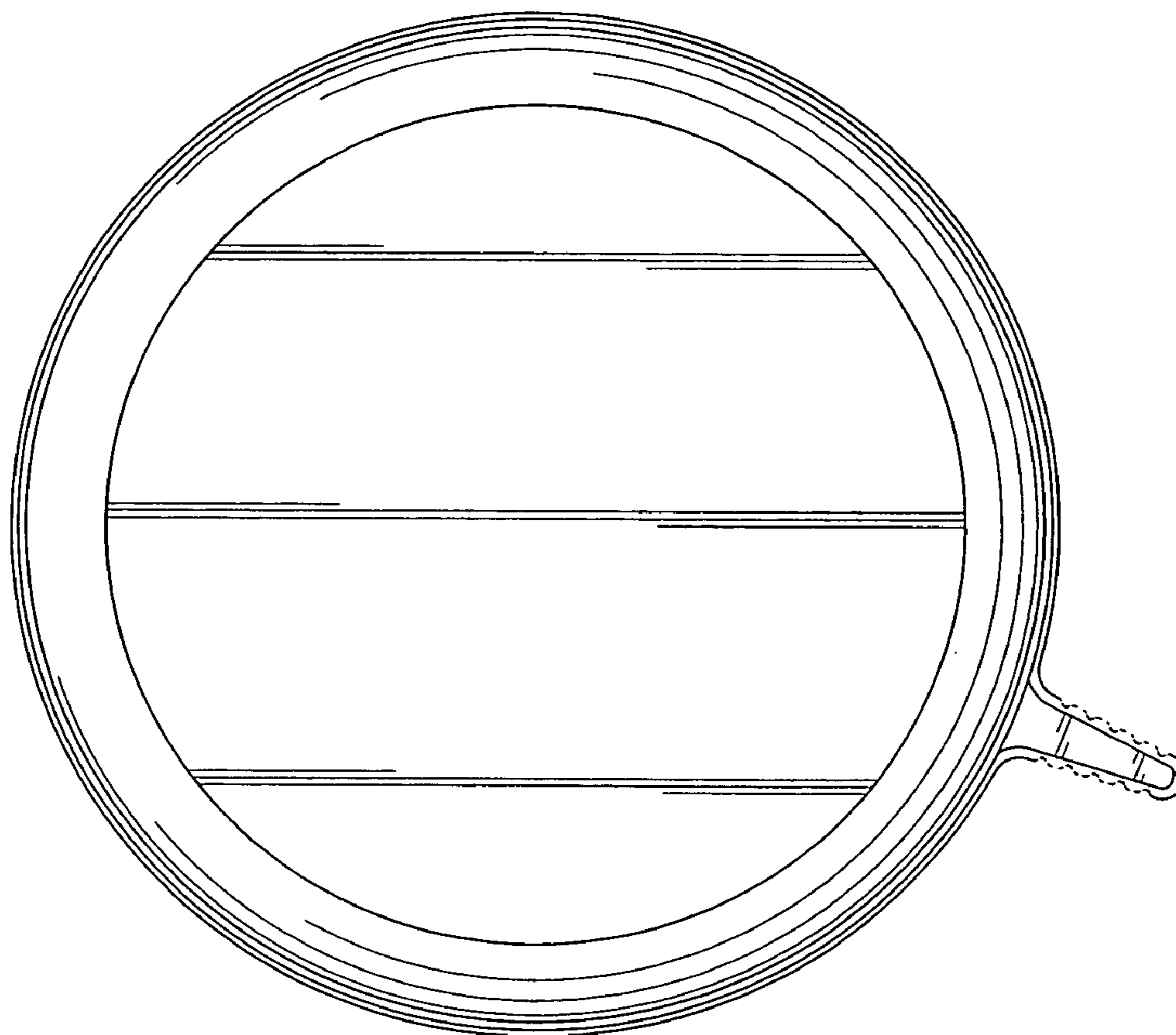
**FIG. 1**



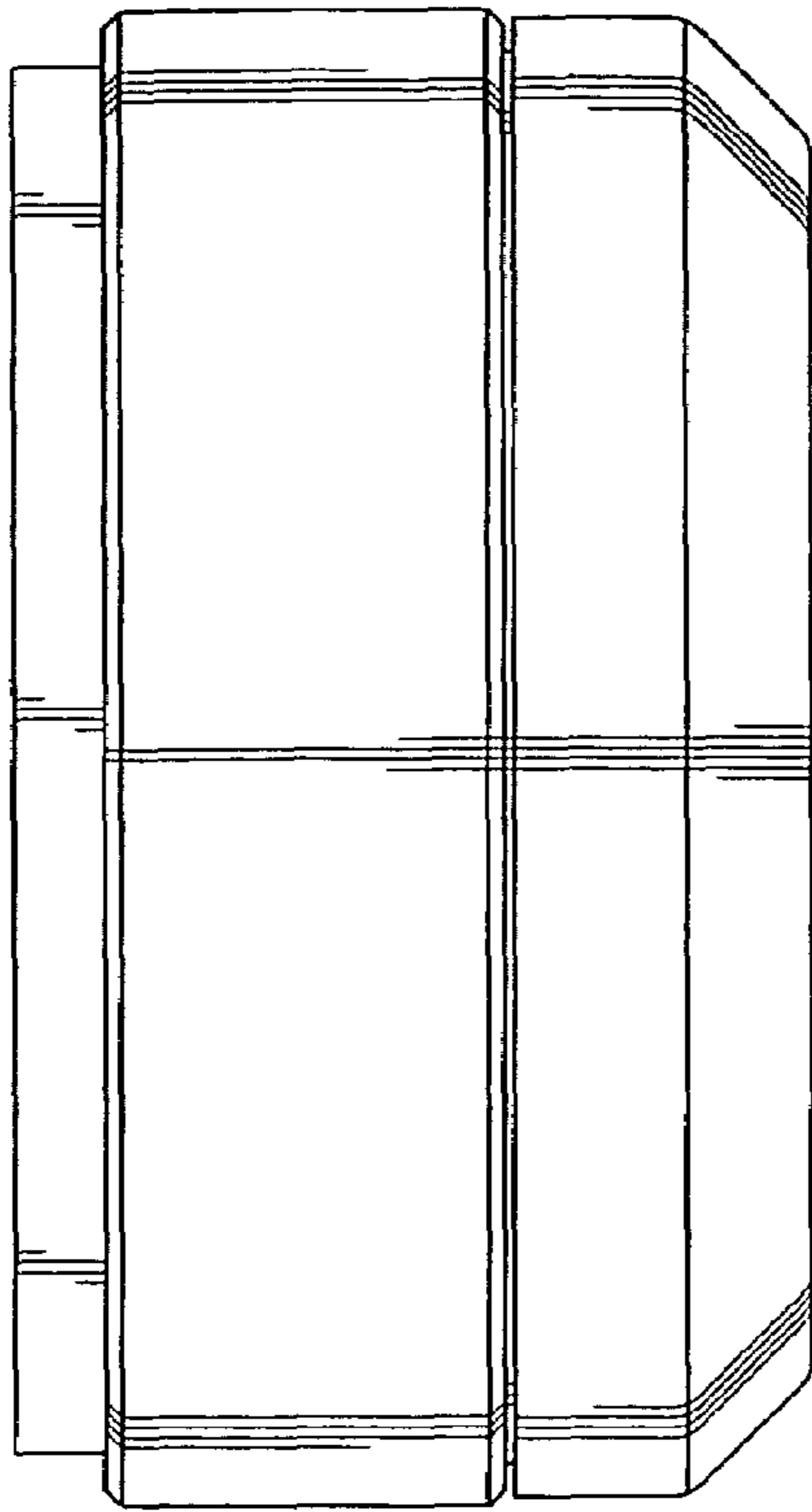
**FIG. 2**



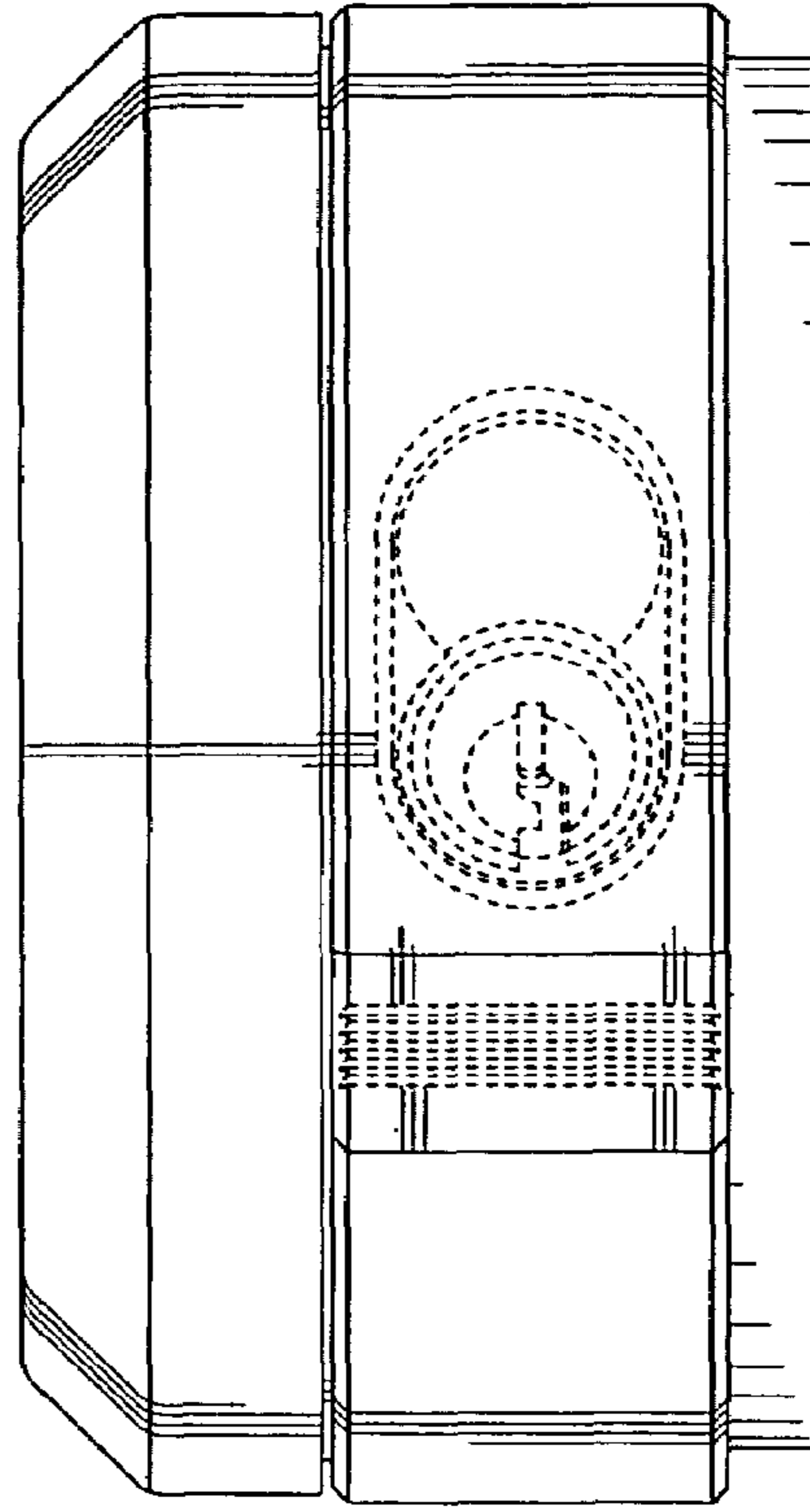
**FIG. 3**



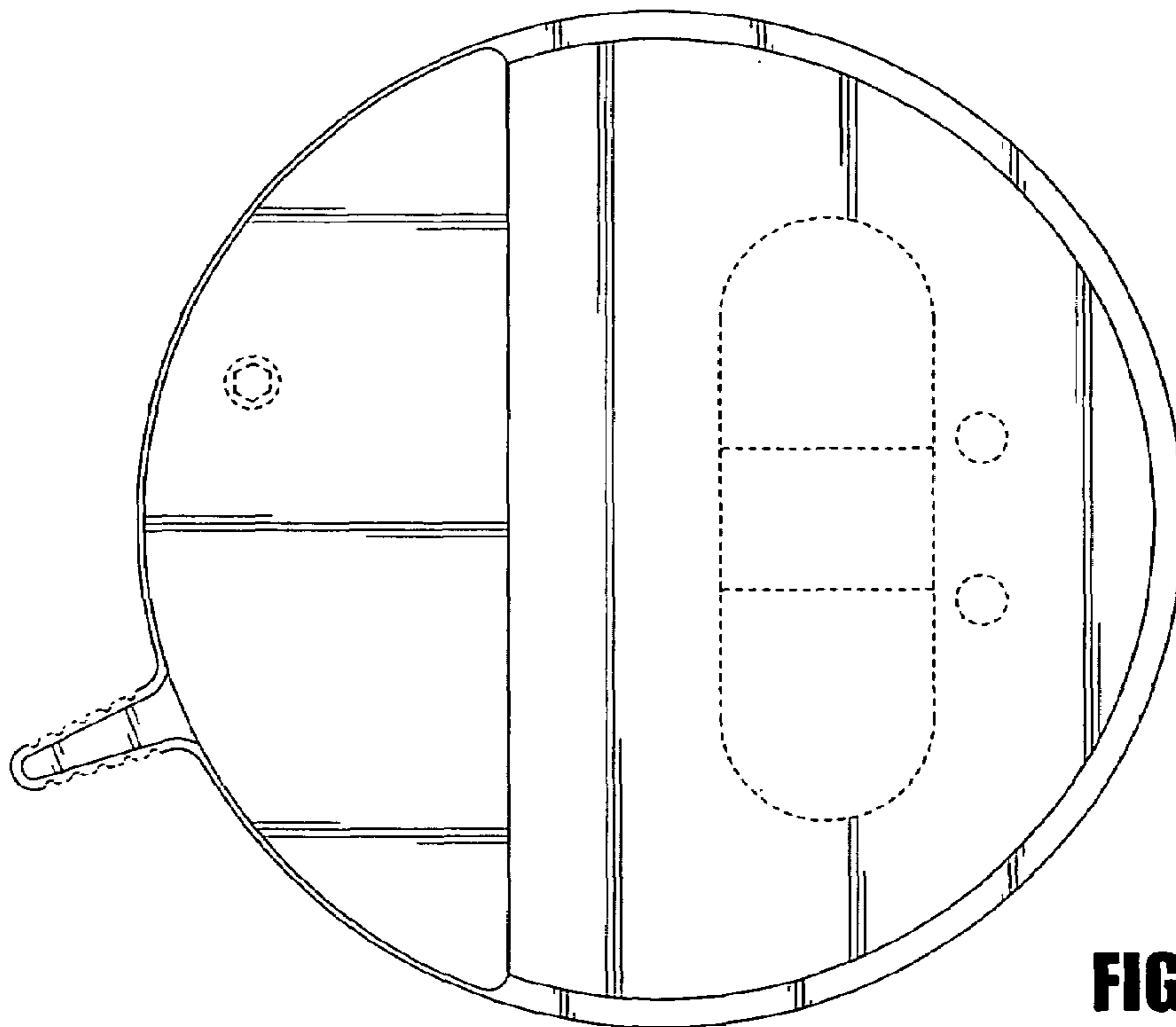
**FIG. 4**



**FIG. 5**

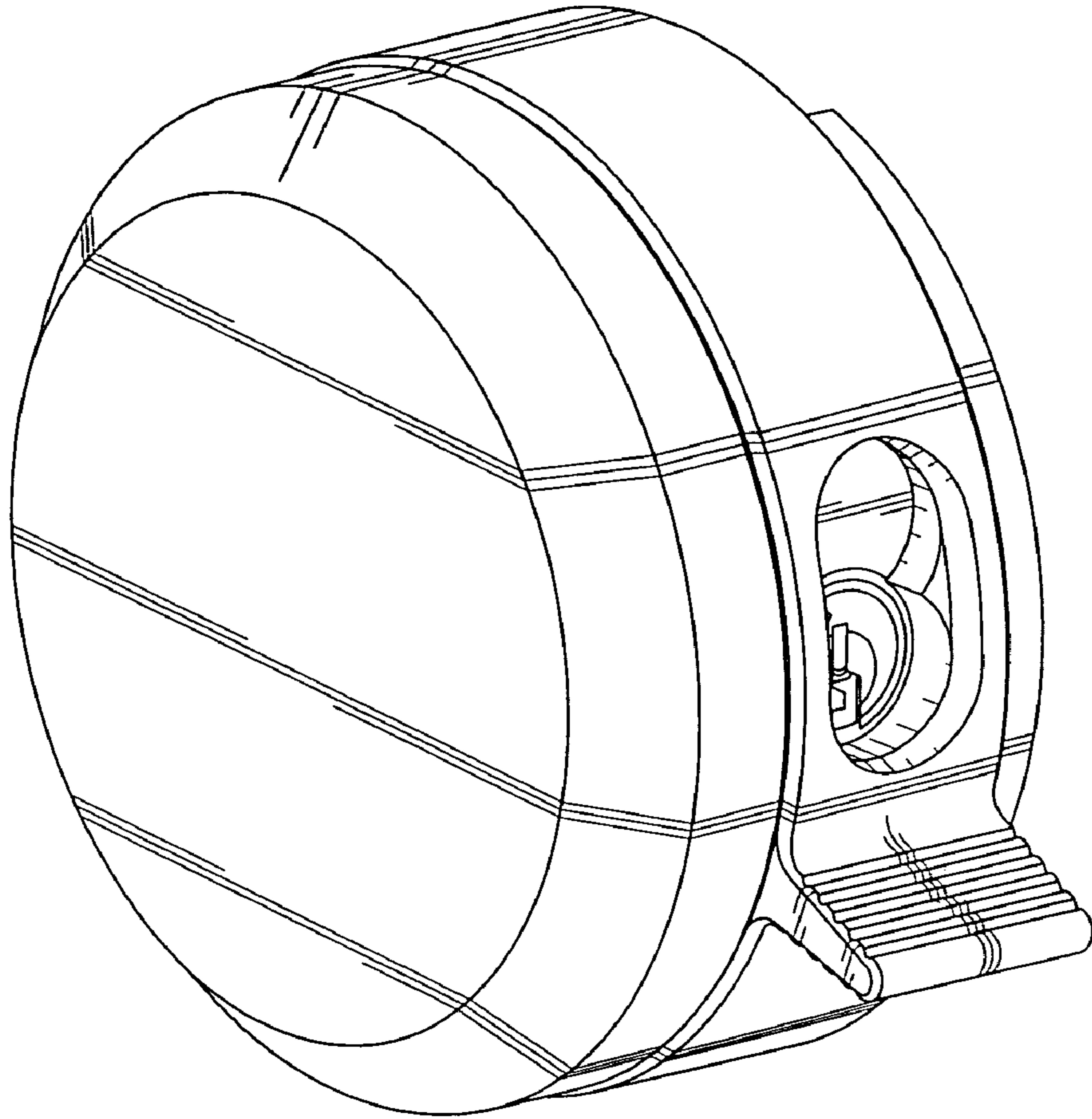


**FIG. 6**

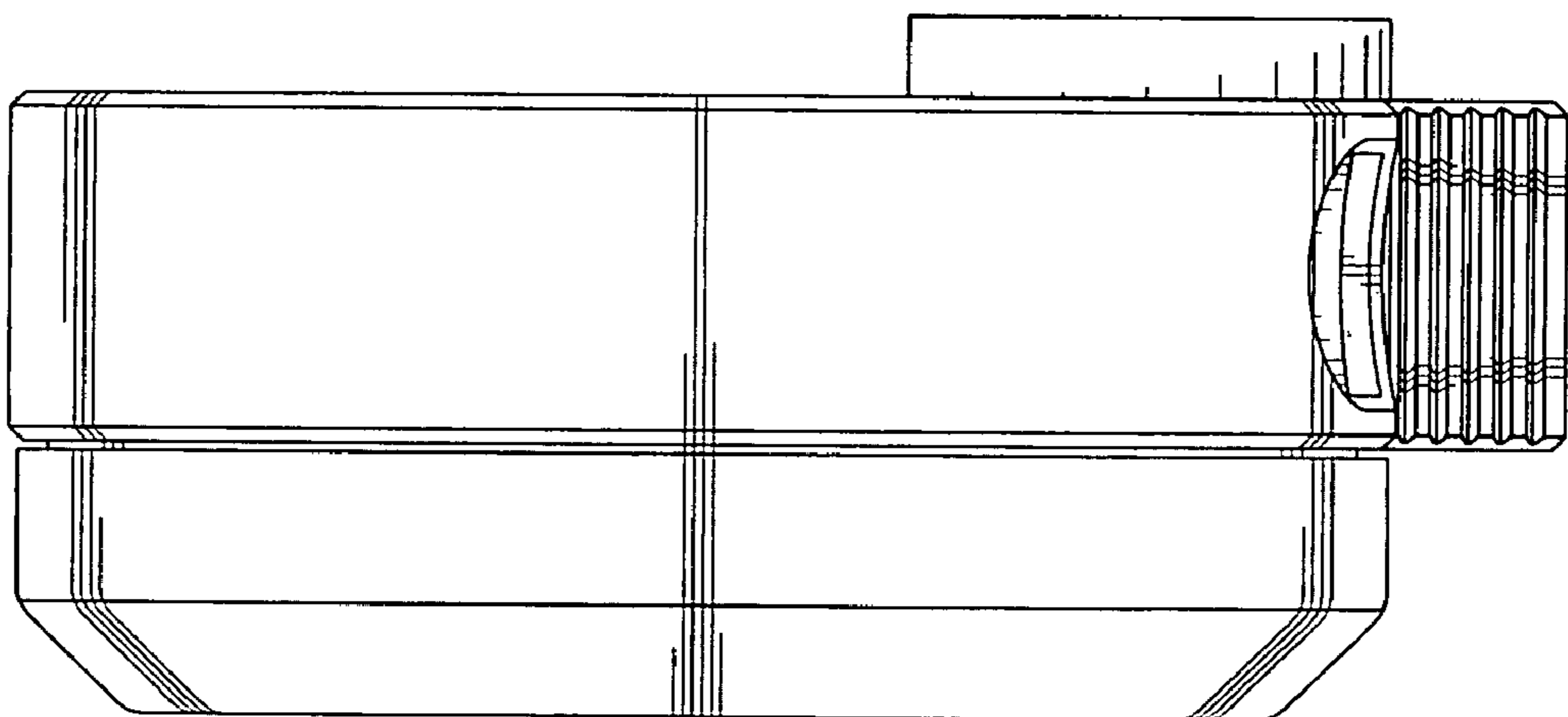


**FIG. 7**

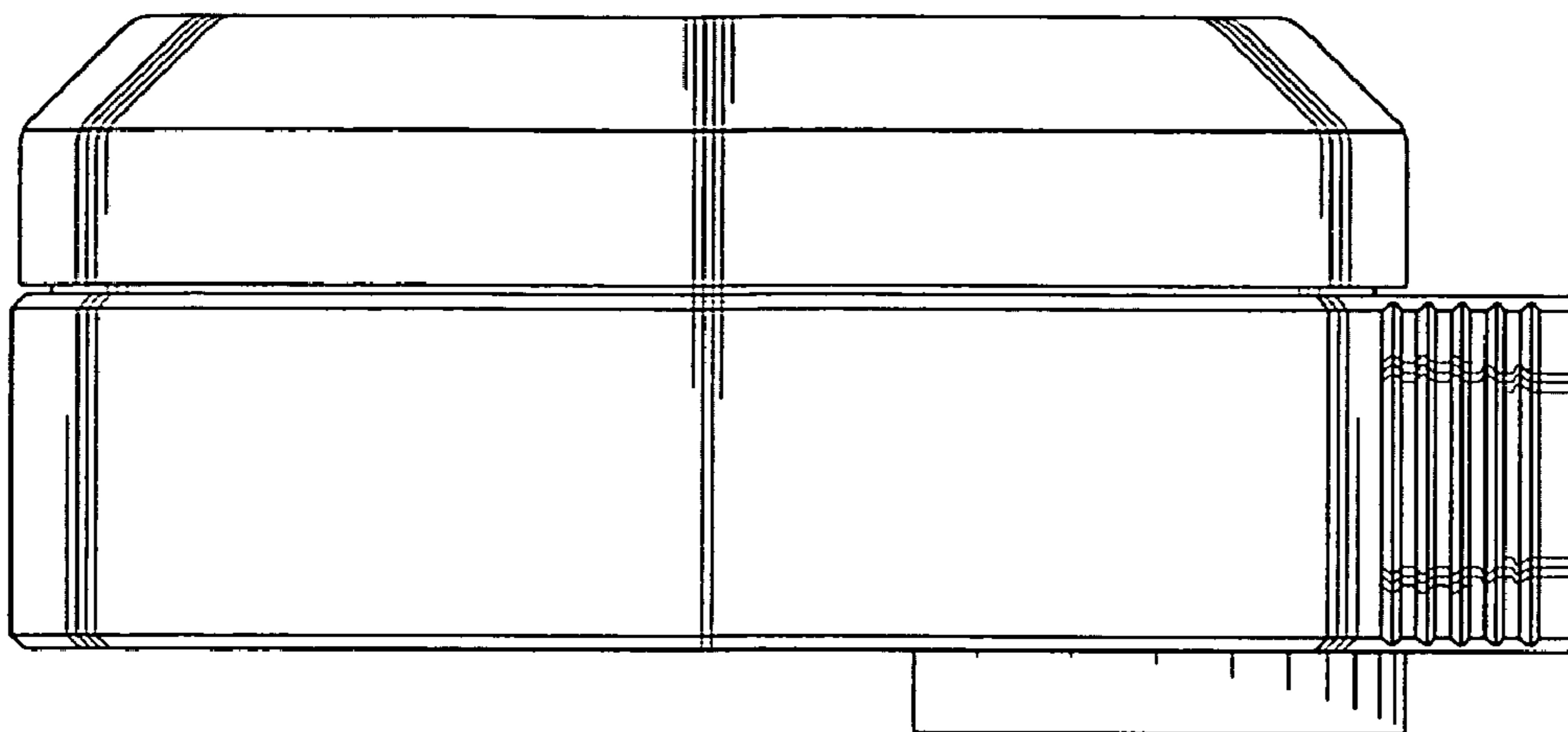




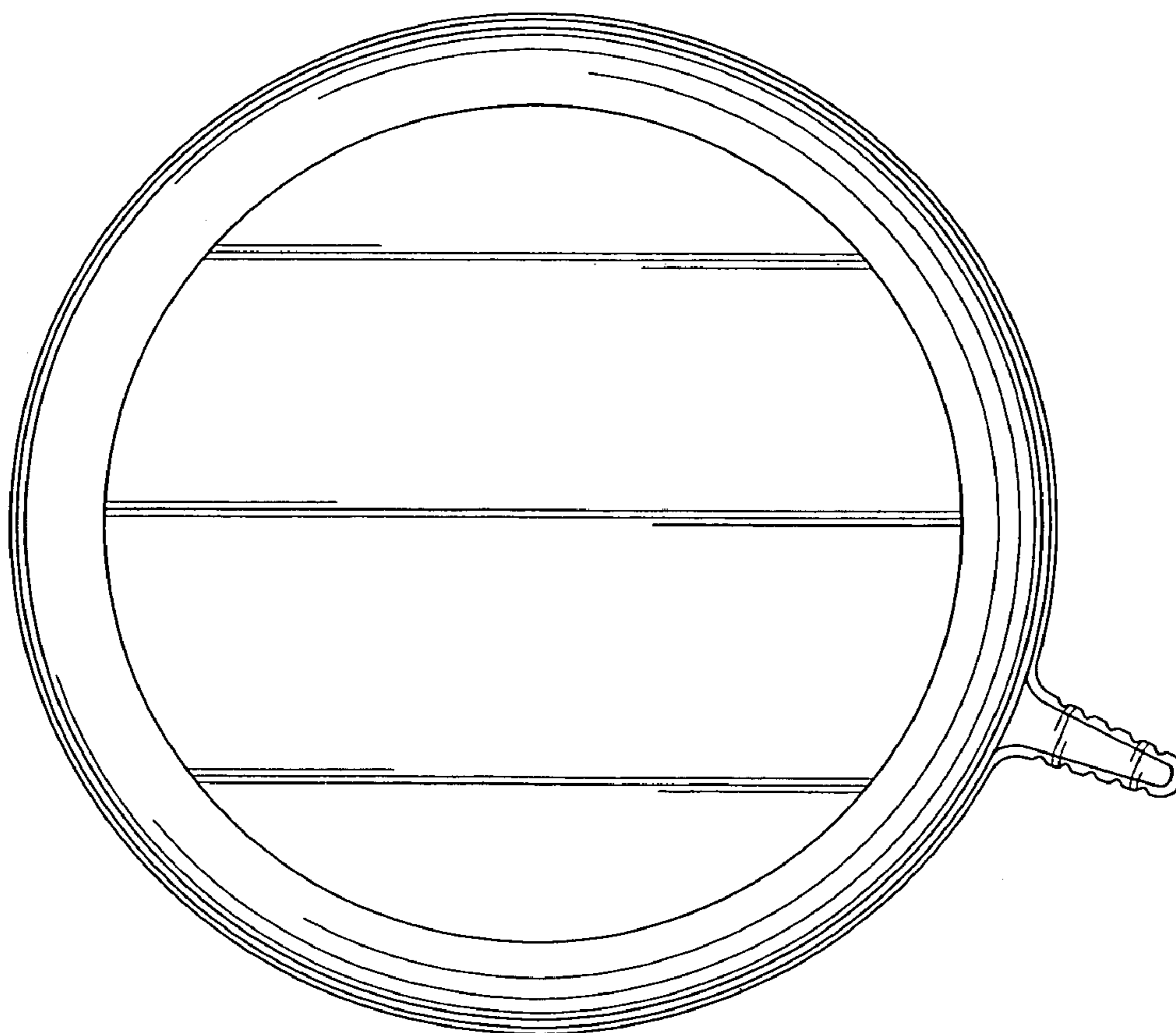
**FIG. 8**



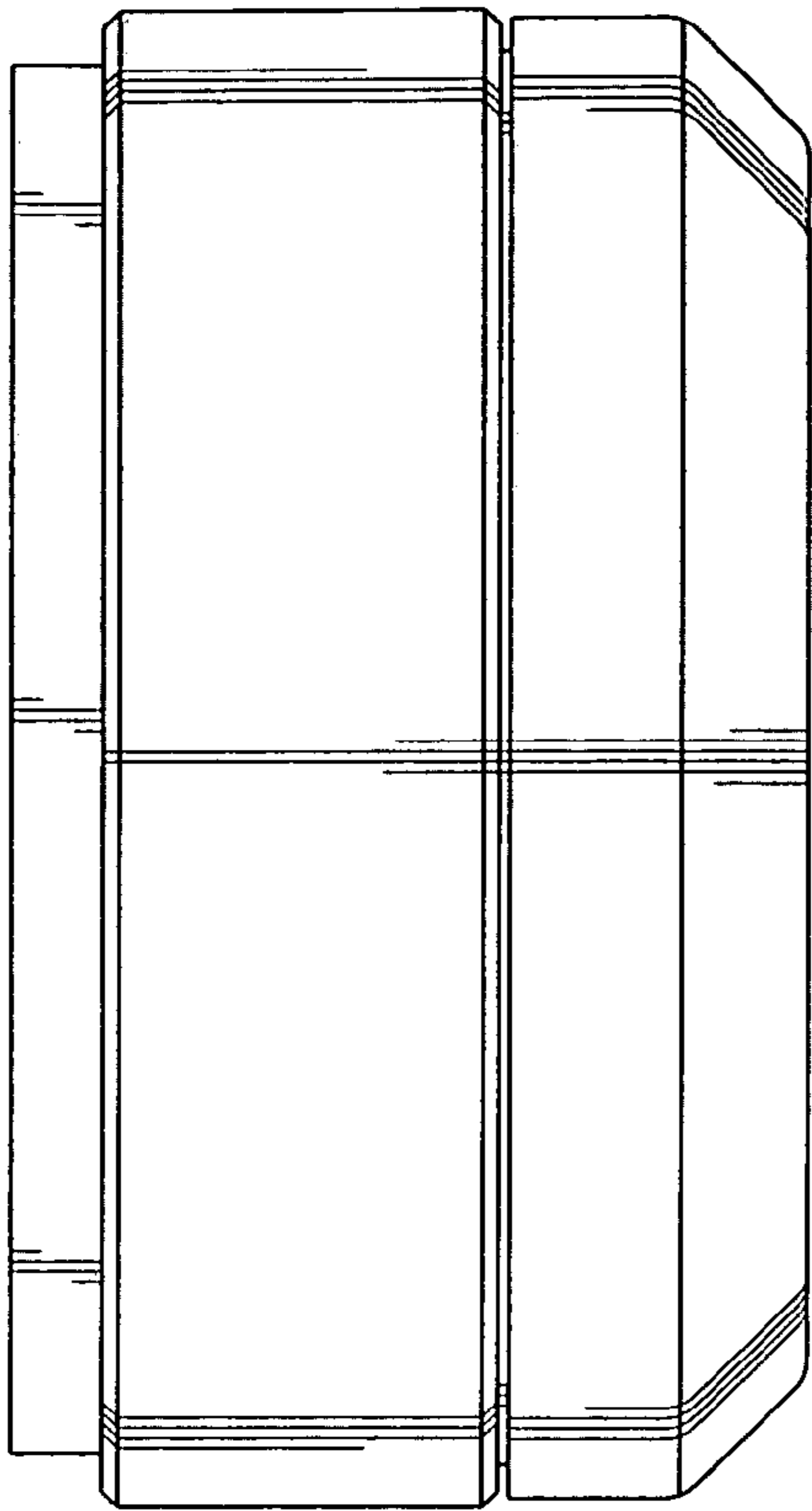
**FIG. 9**



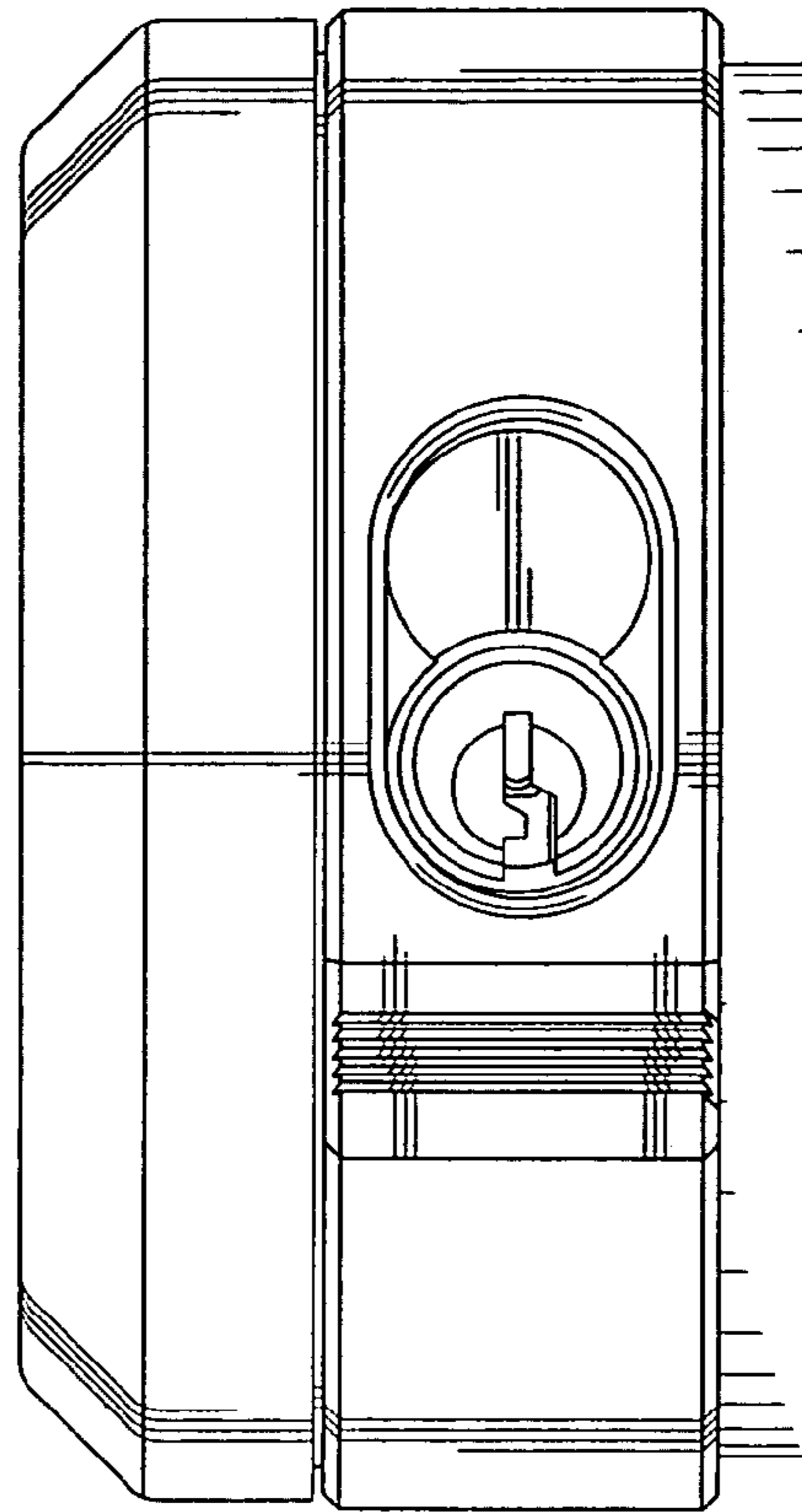
**FIG. 10**



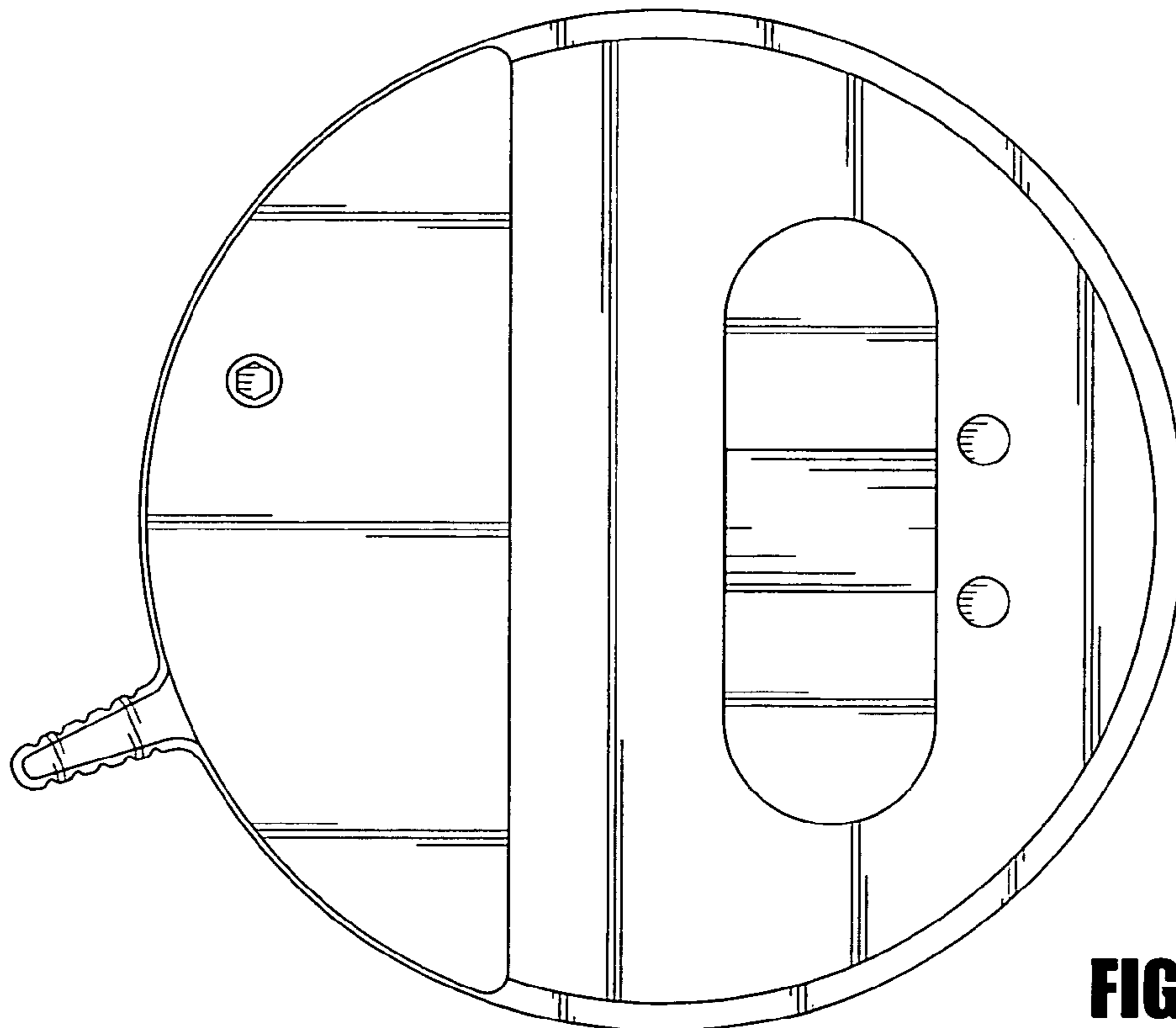
**FIG. 11**



**FIG. 12**



**FIG. 13**



**FIG. 14**