

US00D561000S

(12) **United States Design Patent**  
**Ellerstorfer**

(10) **Patent No.:** **US D561,000 S**

(45) **Date of Patent:** **\*\* Feb. 5, 2008**

(54) **HOUSEHOLD HANDLE**

(75) Inventor: **Thomas Ellerstorfer**, Cham (DE)

(73) Assignee: **Fackelmann GmbH + Co. KG**,  
Hersbruck (DE)

(\*\*) Term: **14 Years**

(21) Appl. No.: **29/256,206**

(22) Filed: **Mar. 20, 2006**

(30) **Foreign Application Priority Data**

Sep. 22, 2005 (EM) ..... 000405105-0003

(51) **LOC (8) Cl.** ..... **08-06**

(52) **U.S. Cl.** ..... **D8/300; D8/313**

(58) **Field of Classification Search** ..... D8/300,  
D8/303, 306, 308, 310, 313, 317, 341, DIG. 1;  
D6/446, 561; D11/216; 16/110.1, 416; 292/165,  
292/169, 175, 336.3; 312/244, 348.6  
See application file for complete search history.

(56) **References Cited**

**U.S. PATENT DOCUMENTS**

1,437,509 A \* 12/1922 Genth ..... 16/416

D127,782 S \* 6/1941 Aldeen ..... D8/317  
3,046,043 A \* 7/1962 Matteson ..... 292/175  
D230,945 S \* 3/1974 Beckman ..... D8/341  
D297,808 S \* 9/1988 King ..... D8/313  
D342,203 S \* 12/1993 Lougee ..... D8/313  
D385,474 S \* 10/1997 Rechberg ..... D8/313  
D518,700 S \* 4/2006 Arosio ..... D8/300

\* cited by examiner

*Primary Examiner*—Paula A. Greene

(74) *Attorney, Agent, or Firm*—Browdy and Neimark,  
PLLC

(57) **CLAIM**

The ornamental design for a household handle, as shown and described.

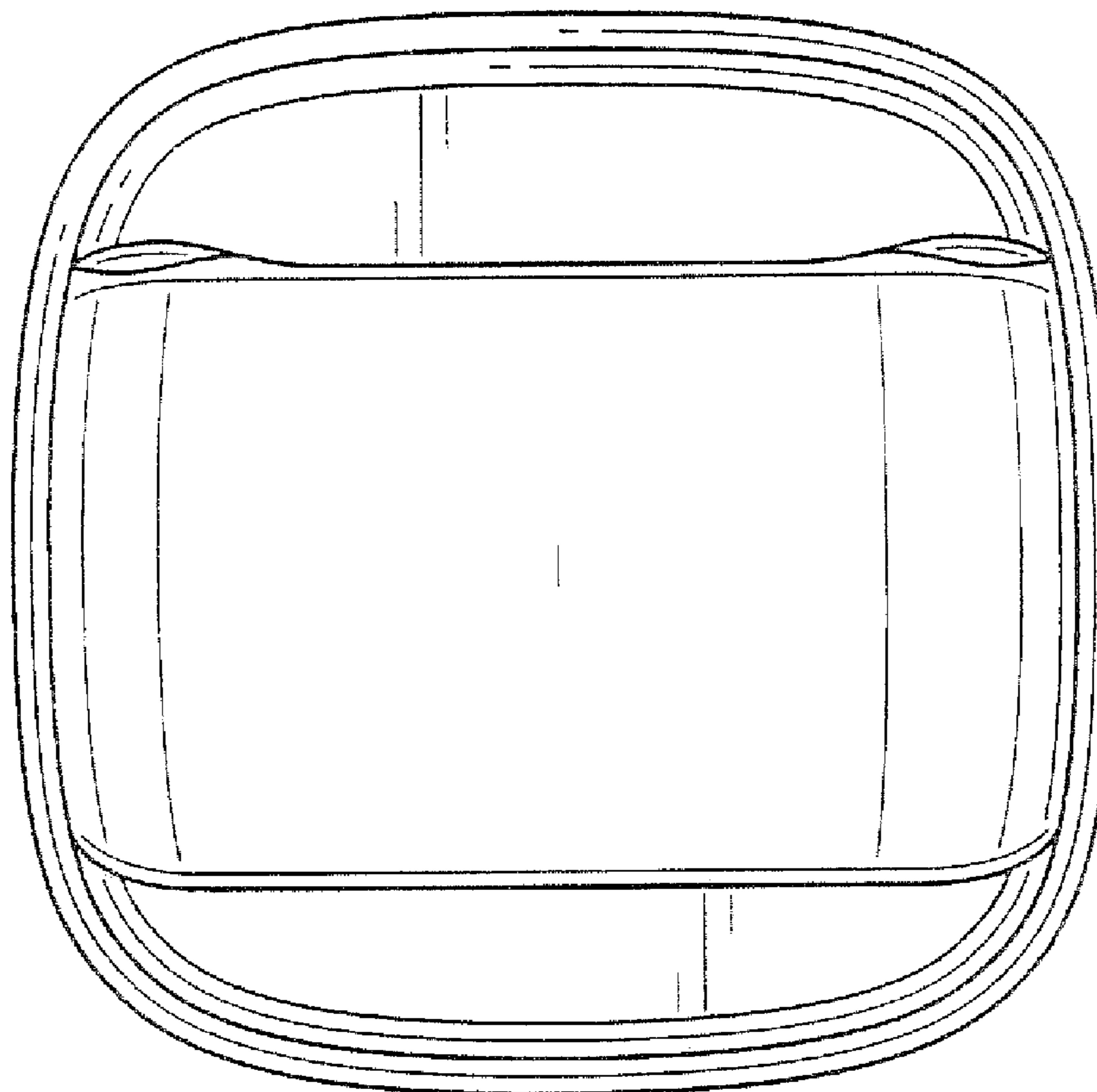
**DESCRIPTION**

FIG. 1 is a side elevational view of the household handle, showing my new design;

FIG. 2 is a side elevational view thereof; and,

FIG. 3 is a top view thereof, the undisclosed bottom is not part of the claimed design.

**1 Claim, 1 Drawing Sheet**



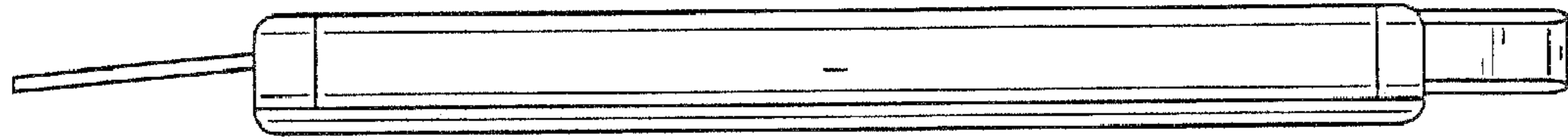


FIG. 1

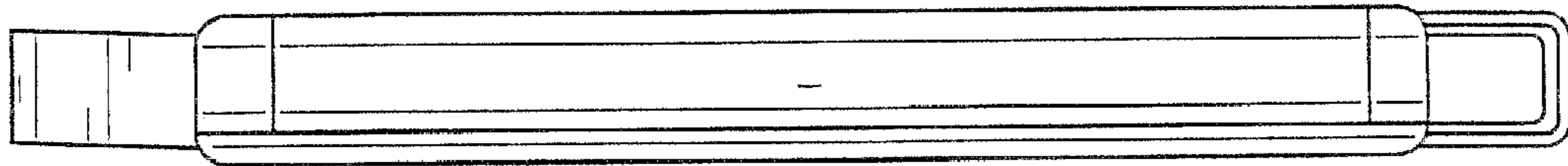


FIG. 2

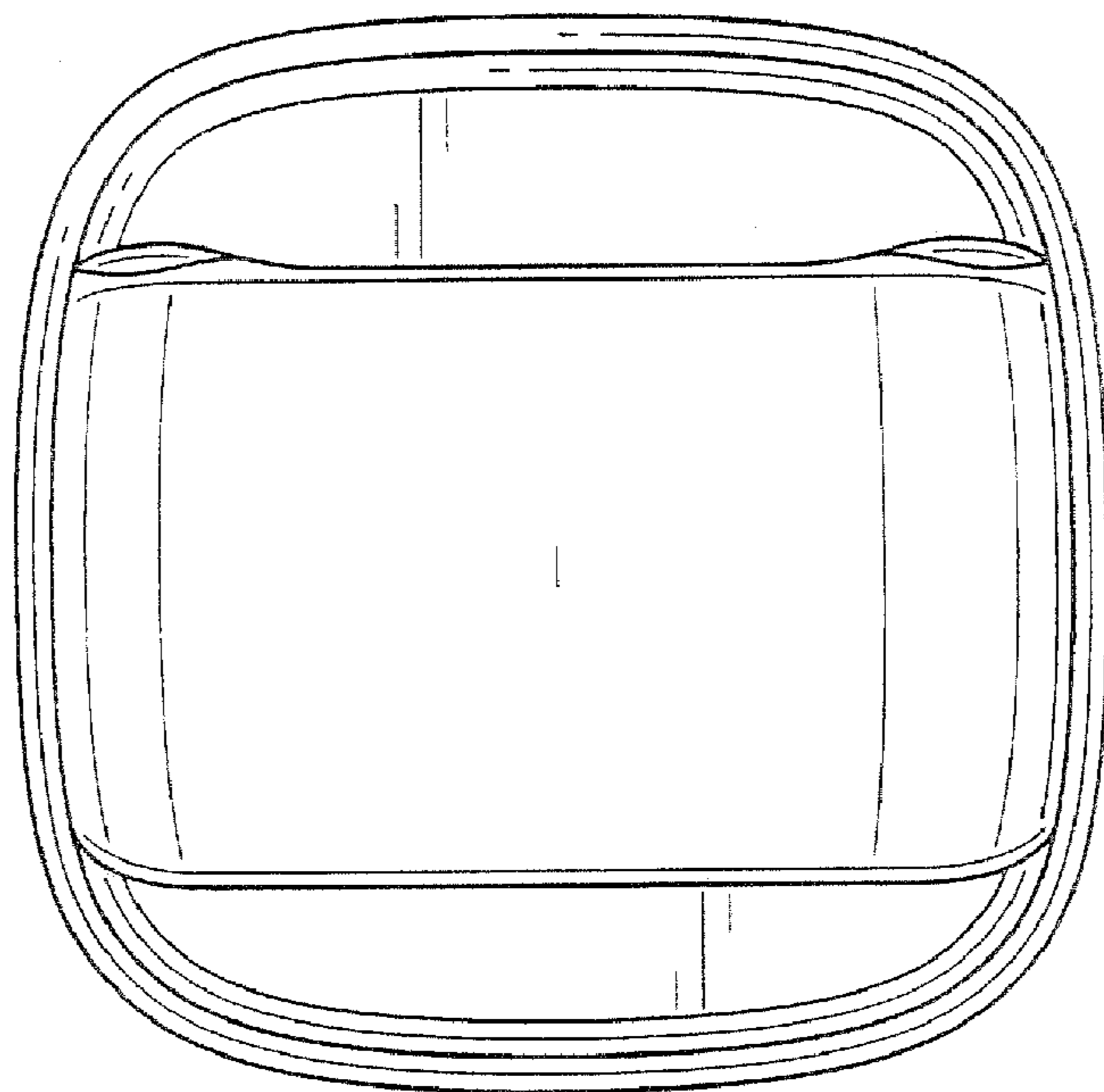


FIG. 3