



US00D560993S

(12) **United States Design Patent**  
**Panosian**

(10) **Patent No.:** **US D560,993 S**

(45) **Date of Patent:** **\*\* Feb. 5, 2008**

(54) **SPRING CLAMP HINGE**

D491,434 S \* 6/2004 Noniewicz ..... D8/58

(75) Inventor: **Michael Panosian**, Glendale, CA (US)

**OTHER PUBLICATIONS**

(73) Assignee: **Olympia Group, Inc.**, City of Industry, CA (US)

U.S. Appl. No. 10/706,491, filed Nov. 12, 2003, Panosian.

\* cited by examiner

(\*\*) Term: **14 Years**

*Primary Examiner*—Pamela J. Burgess

(74) *Attorney, Agent, or Firm*—Patterson & Sheridan, LLP

(21) Appl. No.: **29/197,632**

(57) **CLAIM**

(22) Filed: **Jan. 16, 2004**

The ornamental design for a spring clamp hinge, as shown and described.

(51) **LOC (8) Cl.** ..... **08-05**

(52) **U.S. Cl.** ..... **D8/72**

(58) **Field of Classification Search** ..... D8/72,  
D8/105, 51–52, 40, 55–58; 81/328, 394–396,  
81/9.3, 9.42, 418; 72/409.14, 409.19; 29/268;  
30/91.1–91.2

See application file for complete search history.

**DESCRIPTION**

(56) **References Cited**

**U.S. PATENT DOCUMENTS**

4,625,596	A *	12/1986	Makus	.....	81/9.44
4,813,107	A	3/1989	Cetrone		
D302,654	S	8/1989	Cetrone		
D317,116	S	5/1991	Nimitz		
D322,390	S	12/1991	Nimtz		
D350,892	S	9/1994	Sorensen		
5,381,989	A	1/1995	Jackson		
5,765,820	A	6/1998	Marusiak		
D420,896	S	2/2000	Blackburn et al.		
6,175,998	B1 *	1/2001	Leo	.....	29/268
6,230,387	B1 *	5/2001	Gritters et al.	.....	29/566.4
6,240,815	B1 *	6/2001	Huang	.....	81/328
6,336,386	B1 *	1/2002	Lee	.....	81/328
D457,409	S *	5/2002	Noniewicz	.....	D8/72
6,412,375	B1 *	7/2002	Wang et al.	.....	81/418
D473,776	S *	4/2003	Hopper et al.	.....	D8/72
6,564,703	B1 *	5/2003	Lin	.....	100/234
D476,208	S *	6/2003	Lee	.....	D8/52
D479,787	S	9/2003	Degen		
D481,606	S *	11/2003	Ben-Gigi	.....	D8/72
D481,921	S	11/2003	Ben-Gigi		

FIG. 1 is a perspective side view of a spring clamp hinge.

FIG. 2 is a side elevational view of the spring clamp hinge.

FIG. 3 is a top side view of the spring clamp hinge.

FIG. 4 is a rear side elevational view of the spring clamp hinge.

FIG. 5 is a front side elevational view of the spring clamp hinge.

FIG. 6 is an opposite side perspective view of a spring clamp hinge shown in an opened position for clarity of disclosure;

FIG. 7 is an opposite side elevational view of the spring clamp hinge.

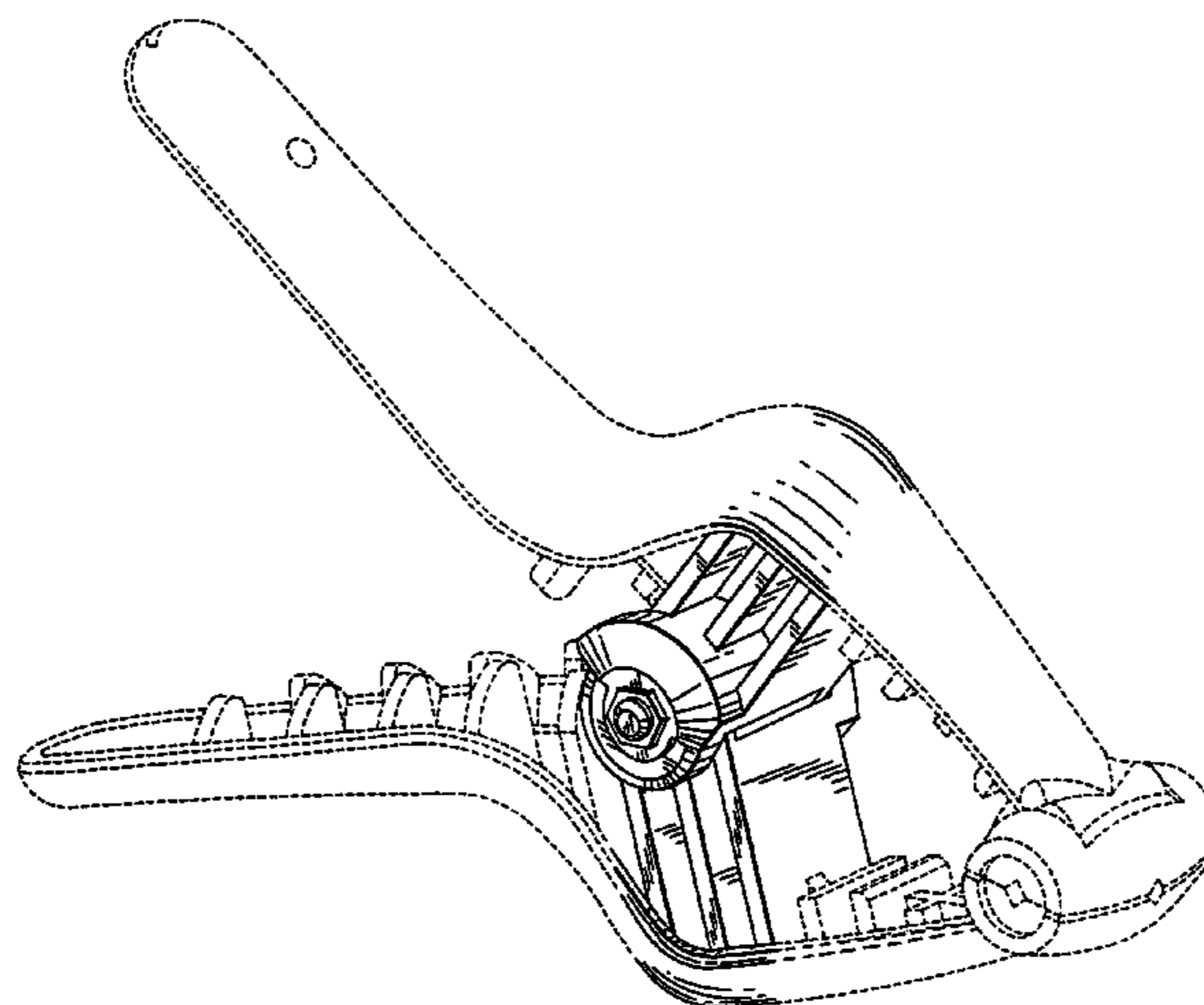
FIG. 8 is another side perspective view of a spring clamp hinge.

FIG. 9 is a side elevational view of the spring clamp hinge of FIG. 8; and,

FIG. 10 is a top side elevational view of the spring clamp hinge of FIG. 8.

The broken lines immediately adjacent the shaded areas represent the bounds of the claim and all other broken lines are for illustrative purposes only. None of the broken lines form a part of the claimed design.

**1 Claim, 10 Drawing Sheets**



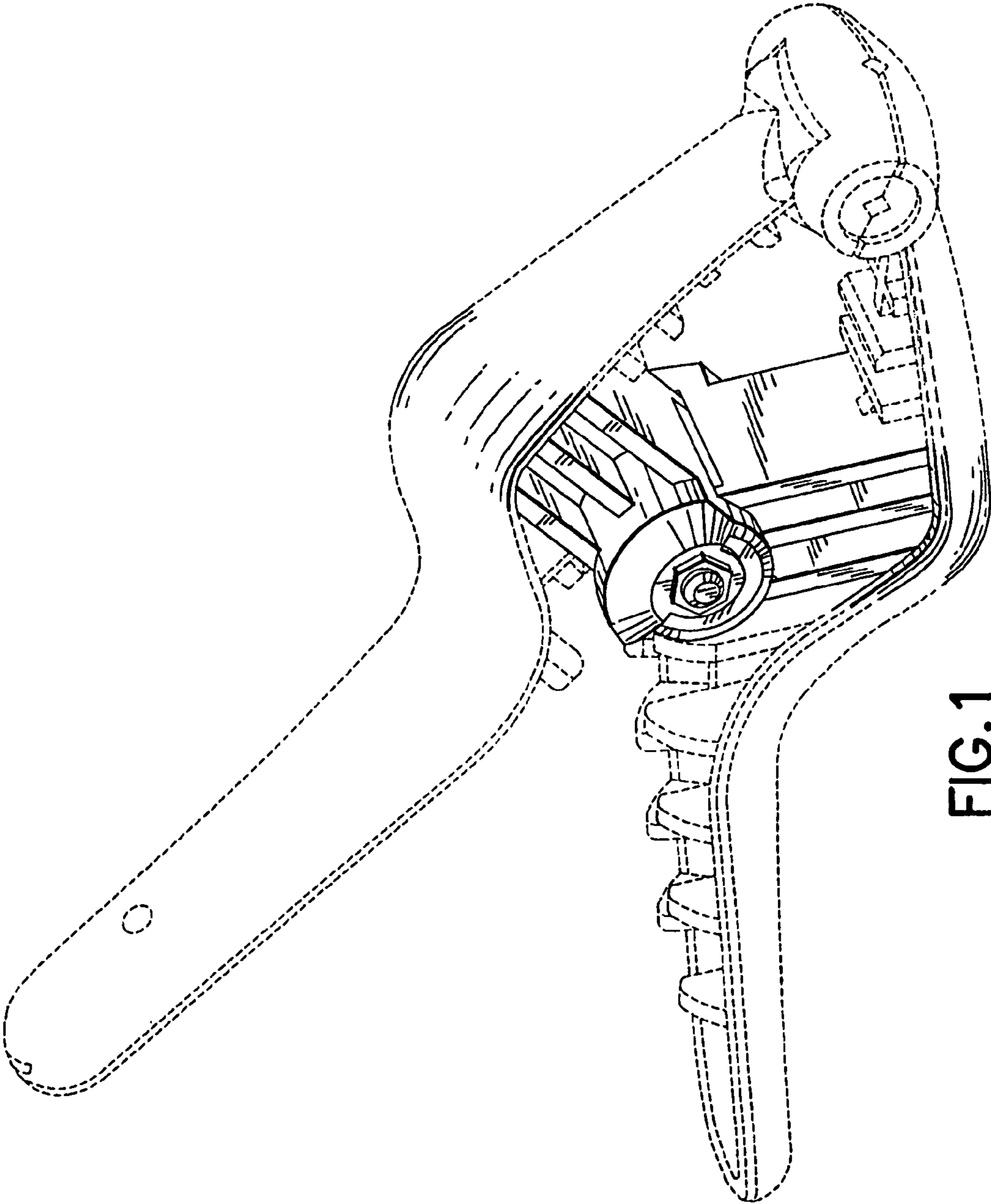


FIG. 1

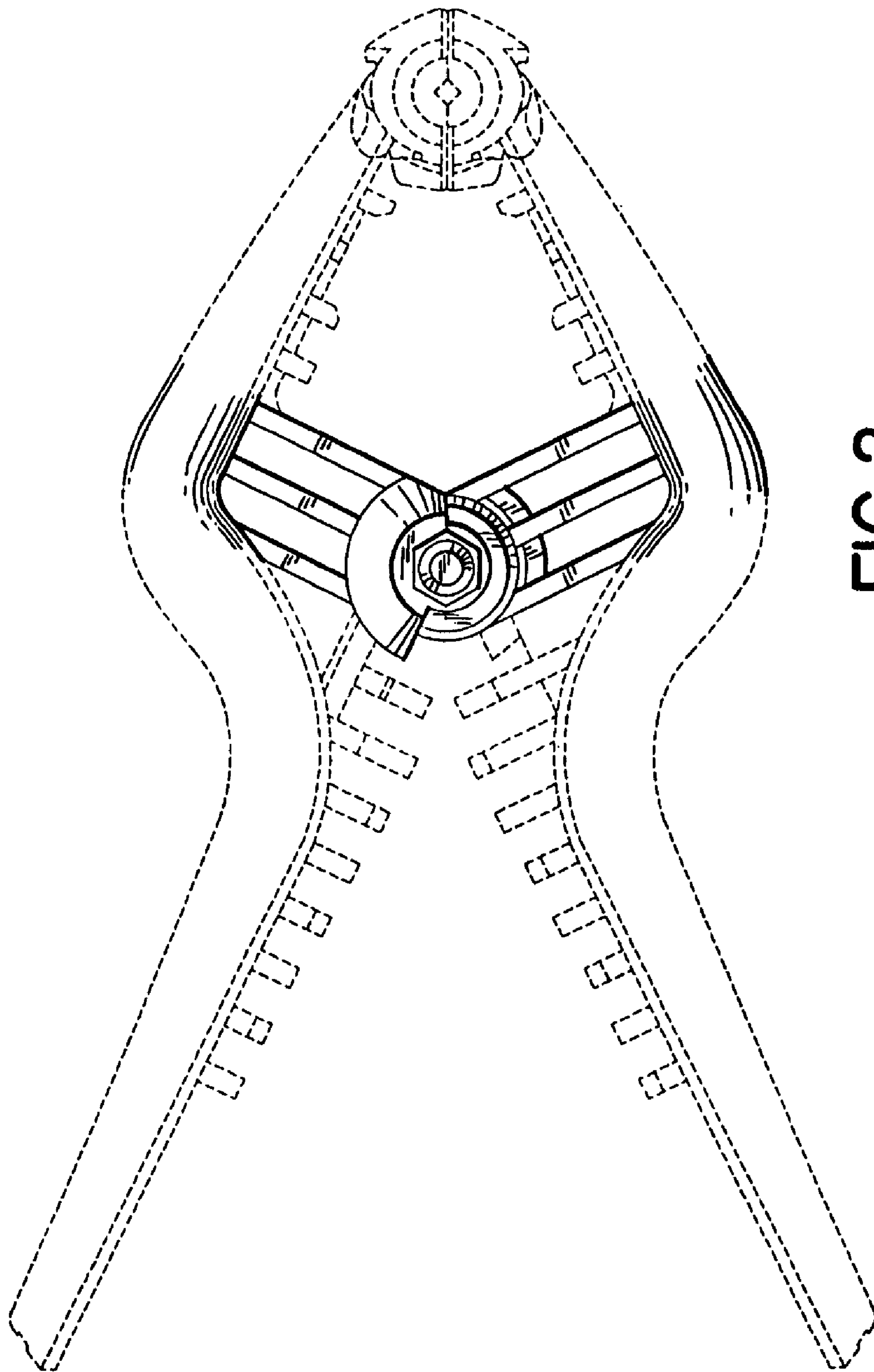


FIG.2

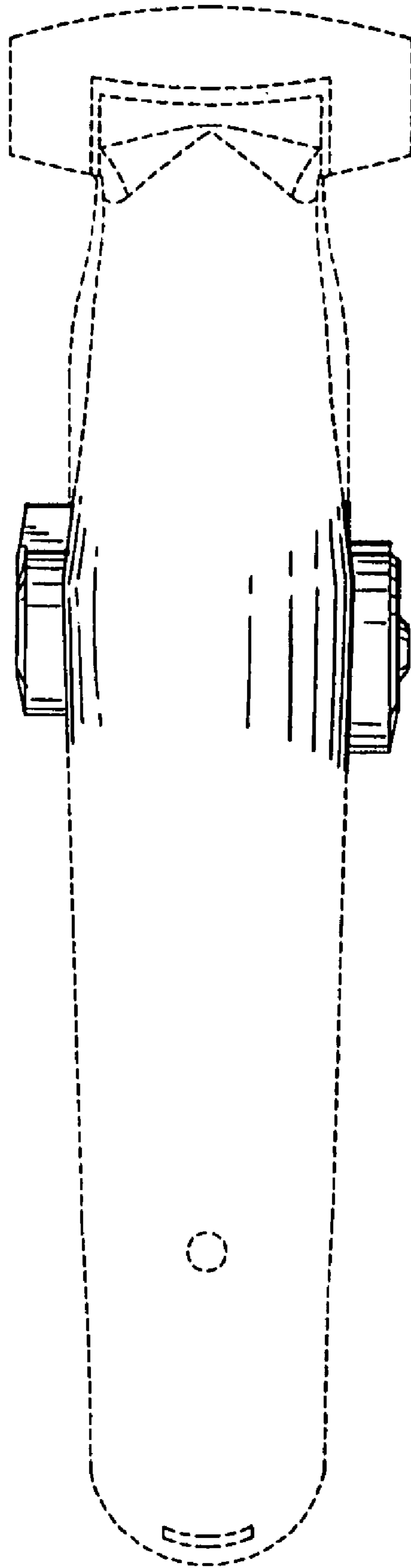


FIG. 3

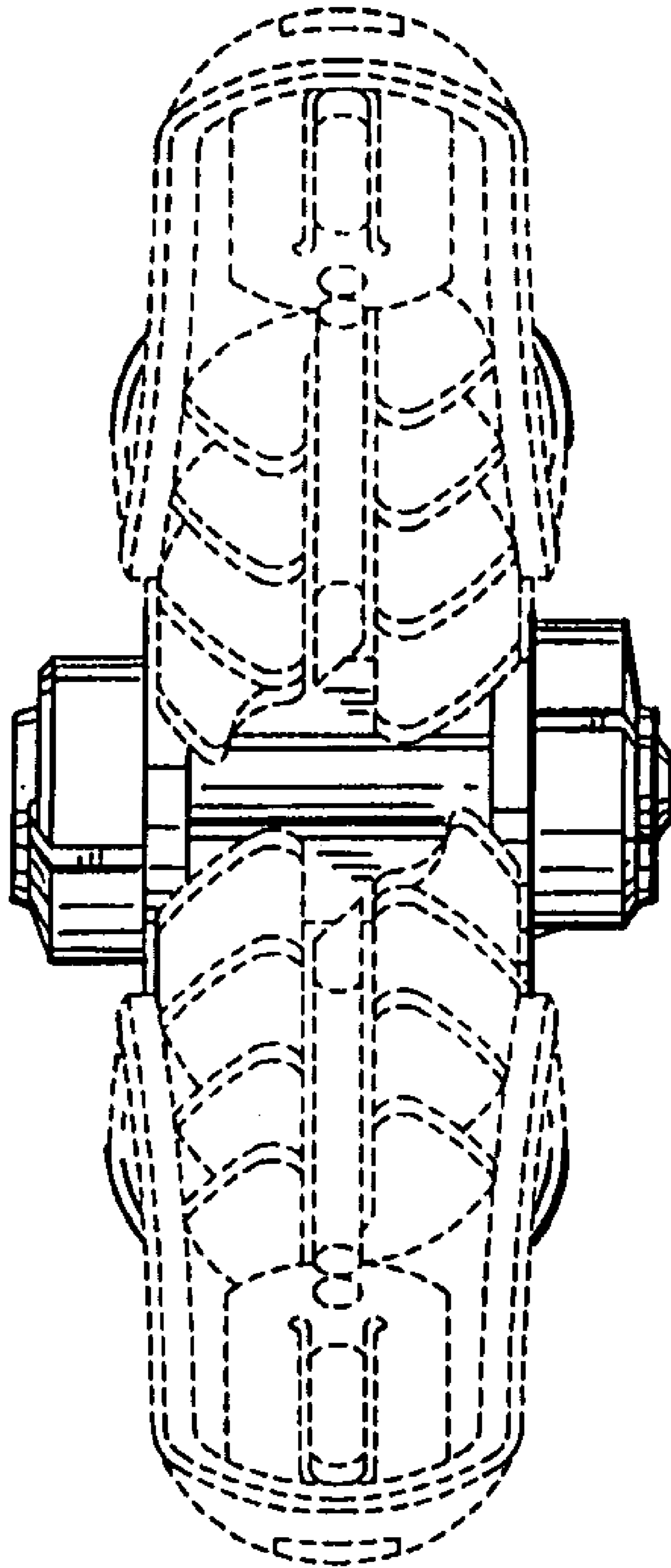


FIG. 4

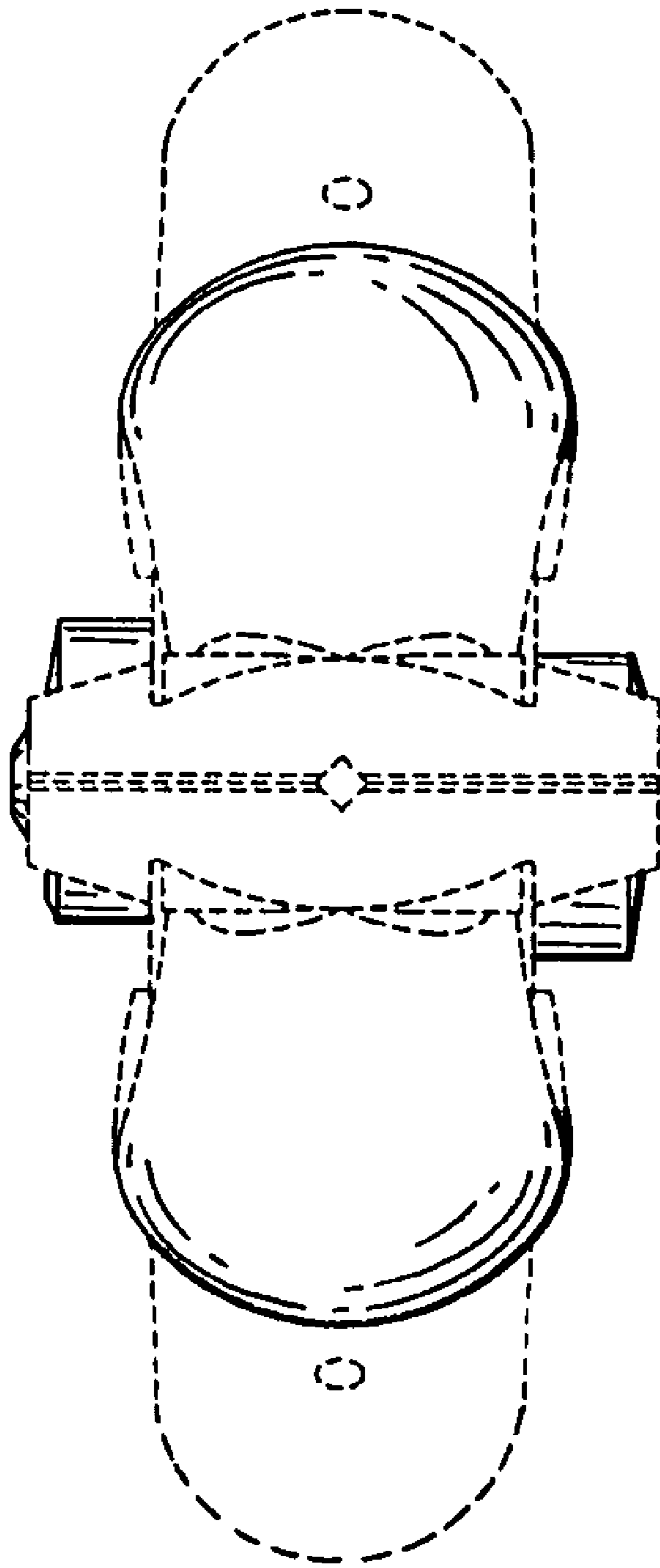


FIG. 5

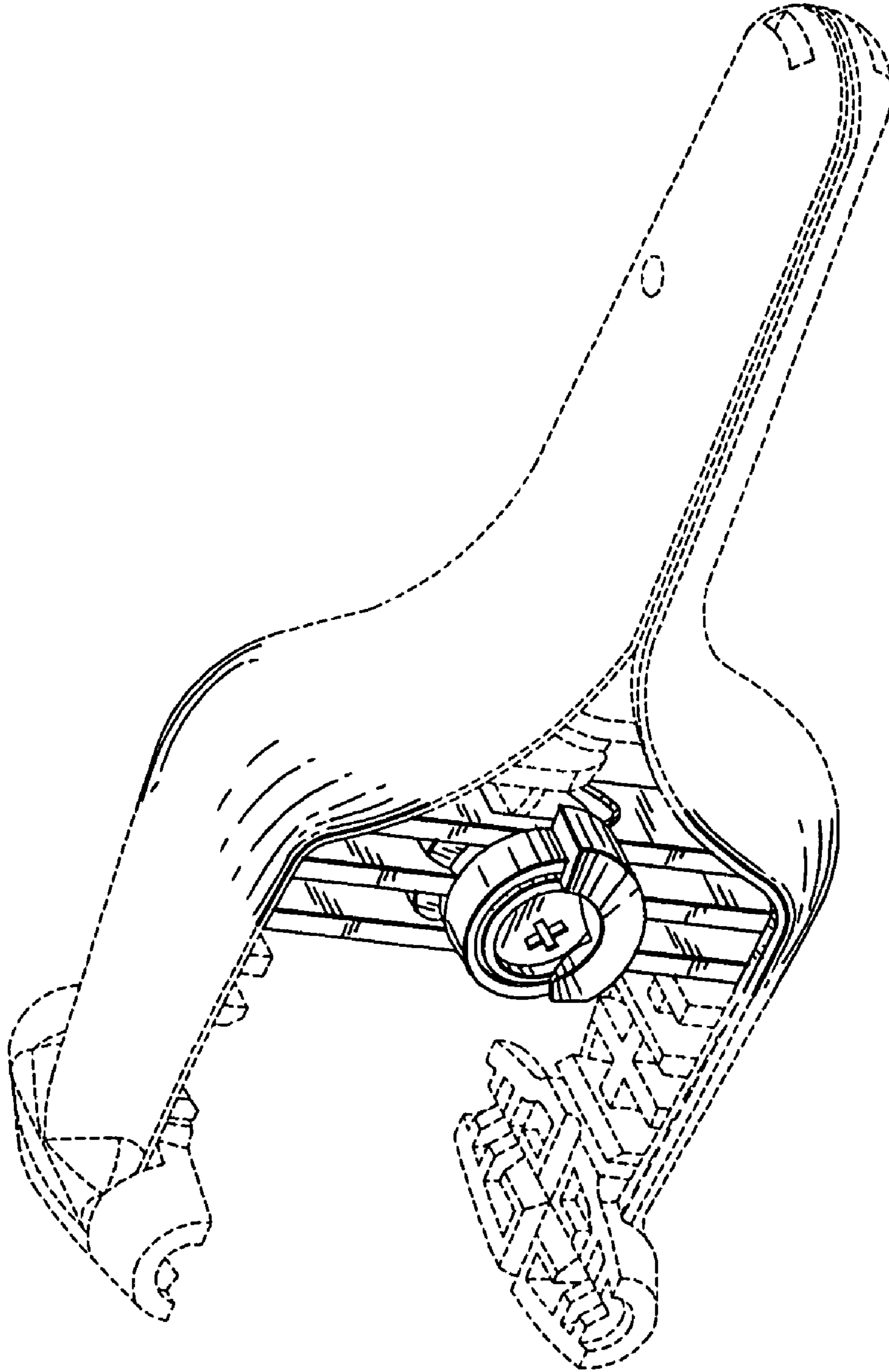


FIG. 6

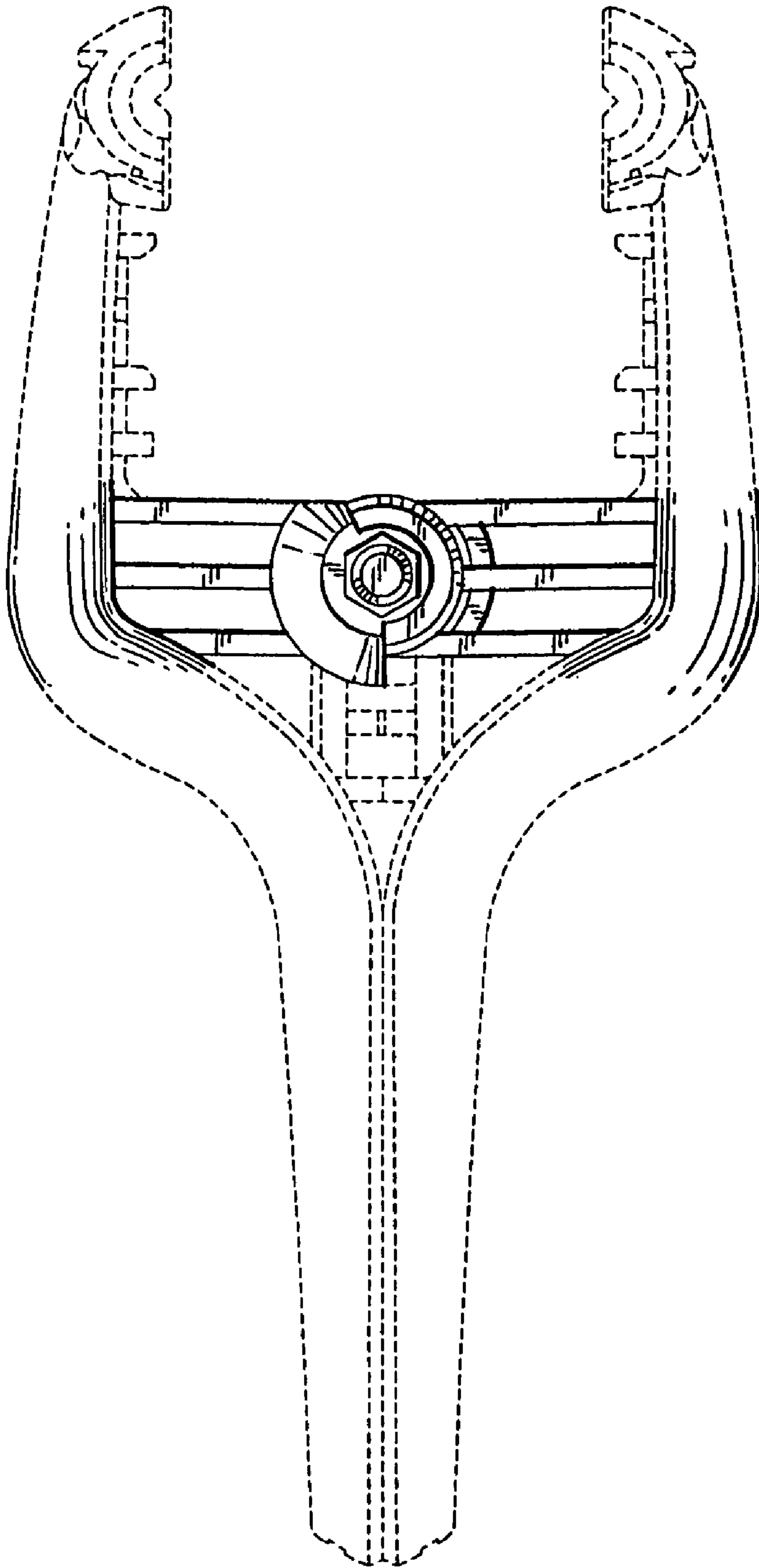


FIG. 7



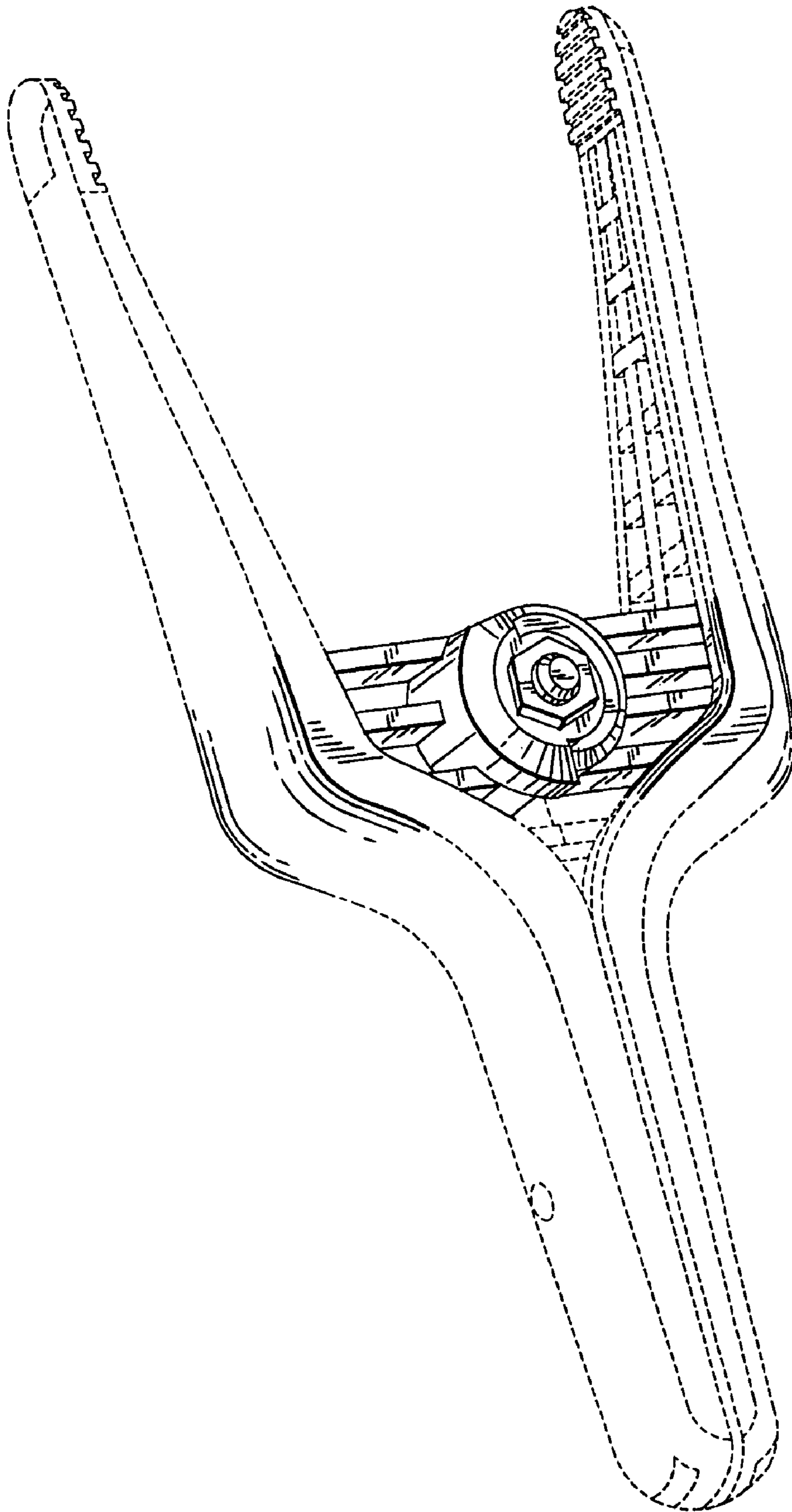


FIG.8

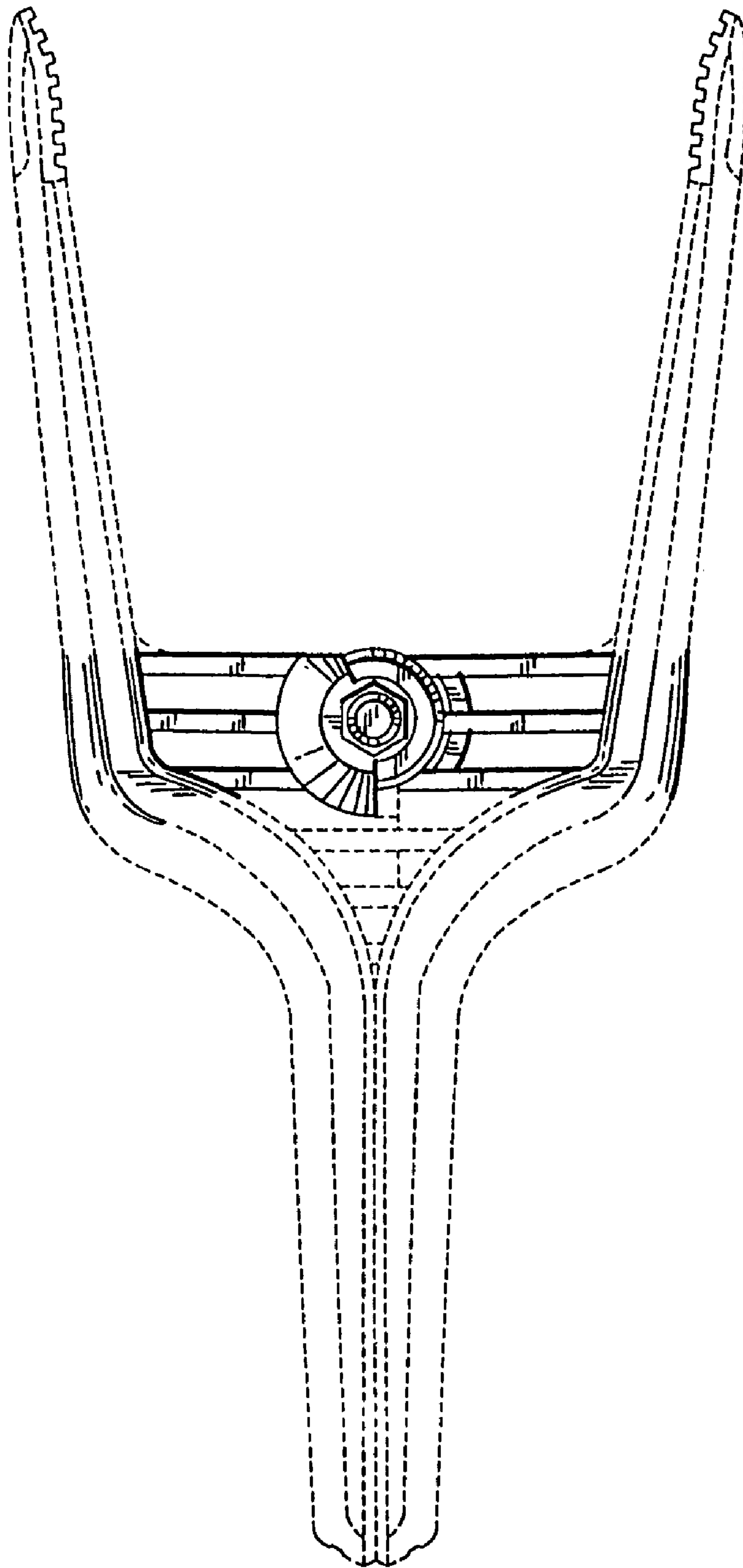


FIG. 9

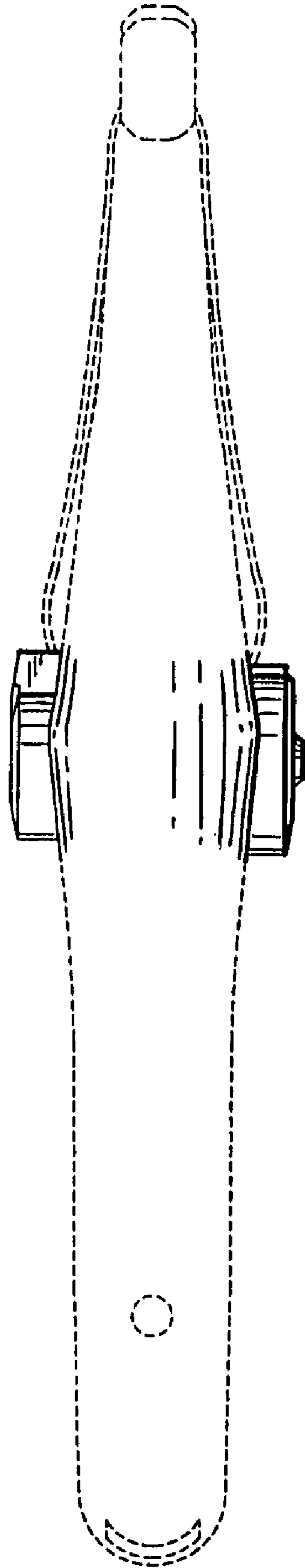


FIG. 10