



US00D560990S

(12) **United States Design Patent**  
**Aglassinger**

(10) **Patent No.:** **US D560,990 S**

(45) **Date of Patent:** **\*\* Feb. 5, 2008**

(54) **IMPACT DRILL**

(75) Inventor: **Hans-Peter Aglassinger**, Esslingen  
(DE)

(73) Assignee: **Robert Bosch GmbH**, Stuttgart (DE)

(\*\*) Term: **14 Years**

(21) Appl. No.: **29/276,129**

(22) Filed: **Jan. 17, 2007**

(30) **Foreign Application Priority Data**

Jul. 21, 2006 (EM) ..... 000564315-0001

(51) **LOC (8) Cl.** ..... **08-01**

(52) **U.S. Cl.** ..... **D8/68**

(58) **Field of Classification Search** ..... D8/14.1,  
D8/61-70; 81/57.11, 429, 454-456, 469,  
81/489; 173/13, 104, 114, 168-171, 178,  
173/201, 211, 213, 217; 408/20, 124, 125,  
408/234, 241 R; 451/358; 310/50; 227/8,  
227/113, 114, 120, 130, 136, 142

See application file for complete search history.

(56) **References Cited**

**U.S. PATENT DOCUMENTS**

D436,510 S \* 1/2001 Bazayev et al. .... D8/68  
6,457,535 B1 \* 10/2002 Tanaka ..... 173/178  
6,883,621 B1 \* 4/2005 Lin ..... 173/217  
D520,835 S \* 5/2006 Aglassinger ..... D8/68  
D532,667 S \* 11/2006 Tsai et al. .... D8/68

D534,048 S \* 12/2006 Tsai et al. .... D8/68  
D534,406 S \* 1/2007 Tsai et al. .... D8/68  
D534,779 S \* 1/2007 Tsai et al. .... D8/68  
D536,943 S \* 2/2007 Tsai et al. .... D8/68  
D536,944 S \* 2/2007 Tsai et al. .... D8/68

**FOREIGN PATENT DOCUMENTS**

GB 2106271 S \* 11/2001

\* cited by examiner

*Primary Examiner*—T. Chase Nelson

(74) *Attorney, Agent, or Firm*—Michael J. Striker

(57) **CLAIM**

The ornamental design for an impact drill, as shown and described.

**DESCRIPTION**

FIG. 1 is a front perspective view of an impact drill showing my new design;

FIG. 2 is a side view thereof;

FIG. 3 is the opposite side view of FIG. 2 thereof;

FIG. 4 is a front view thereof;

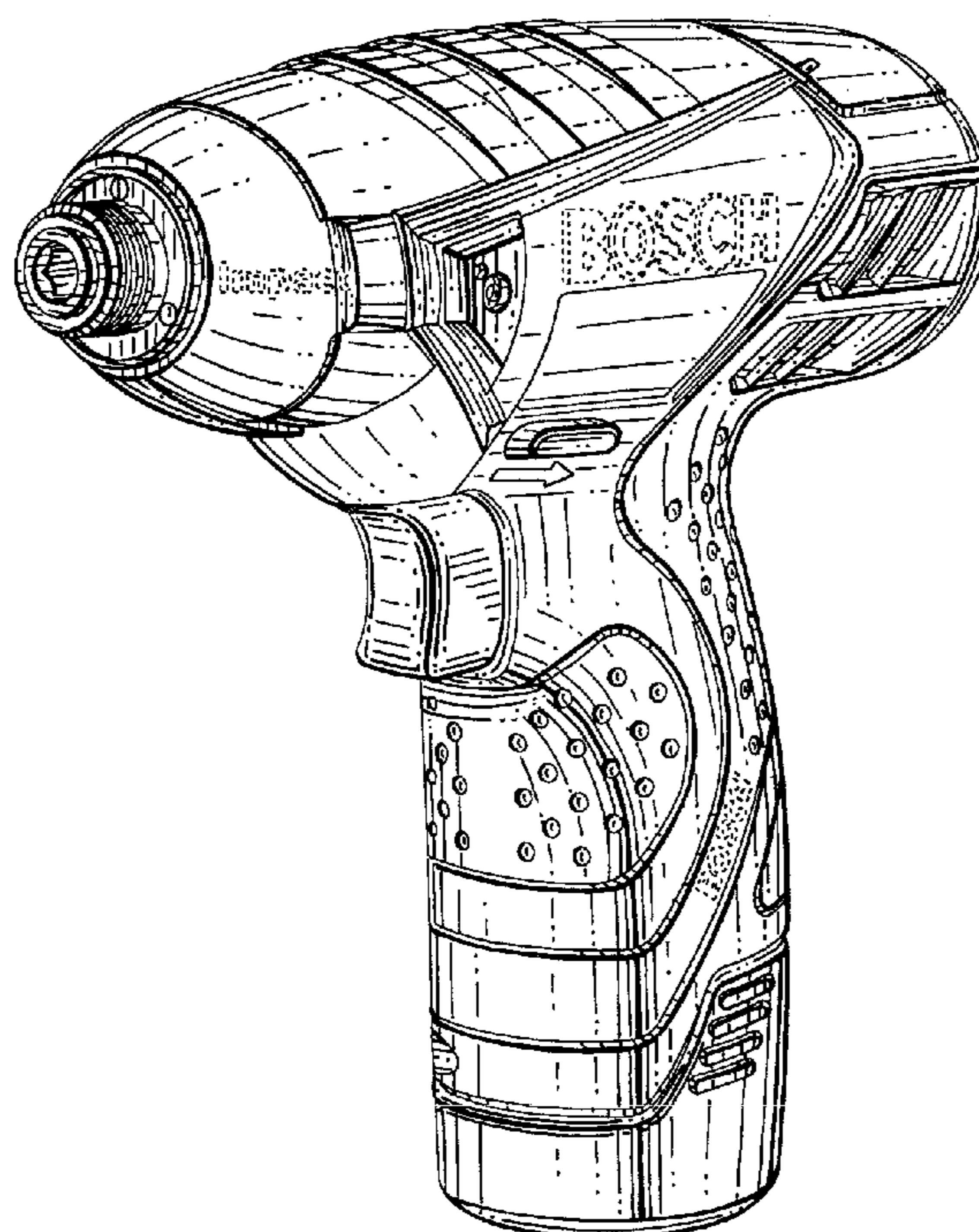
FIG. 5 is a rear view thereof;

FIG. 6 is a top view thereof; and,

FIG. 7 is a bottom view thereof.

The broken lines included in the drawing views are for illustrative purposes only and form no part of the claimed design.

**1 Claim, 7 Drawing Sheets**



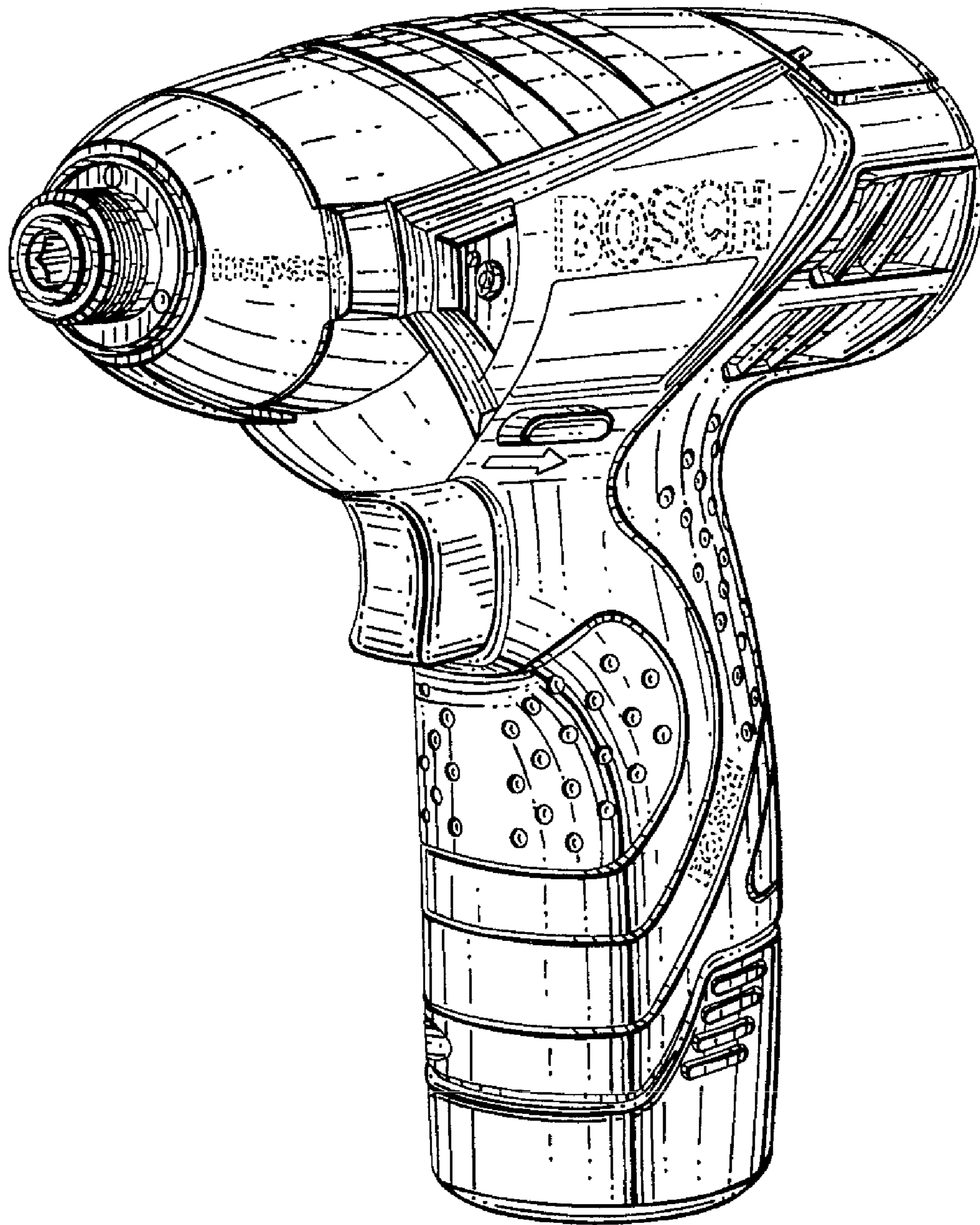


FIG. 1

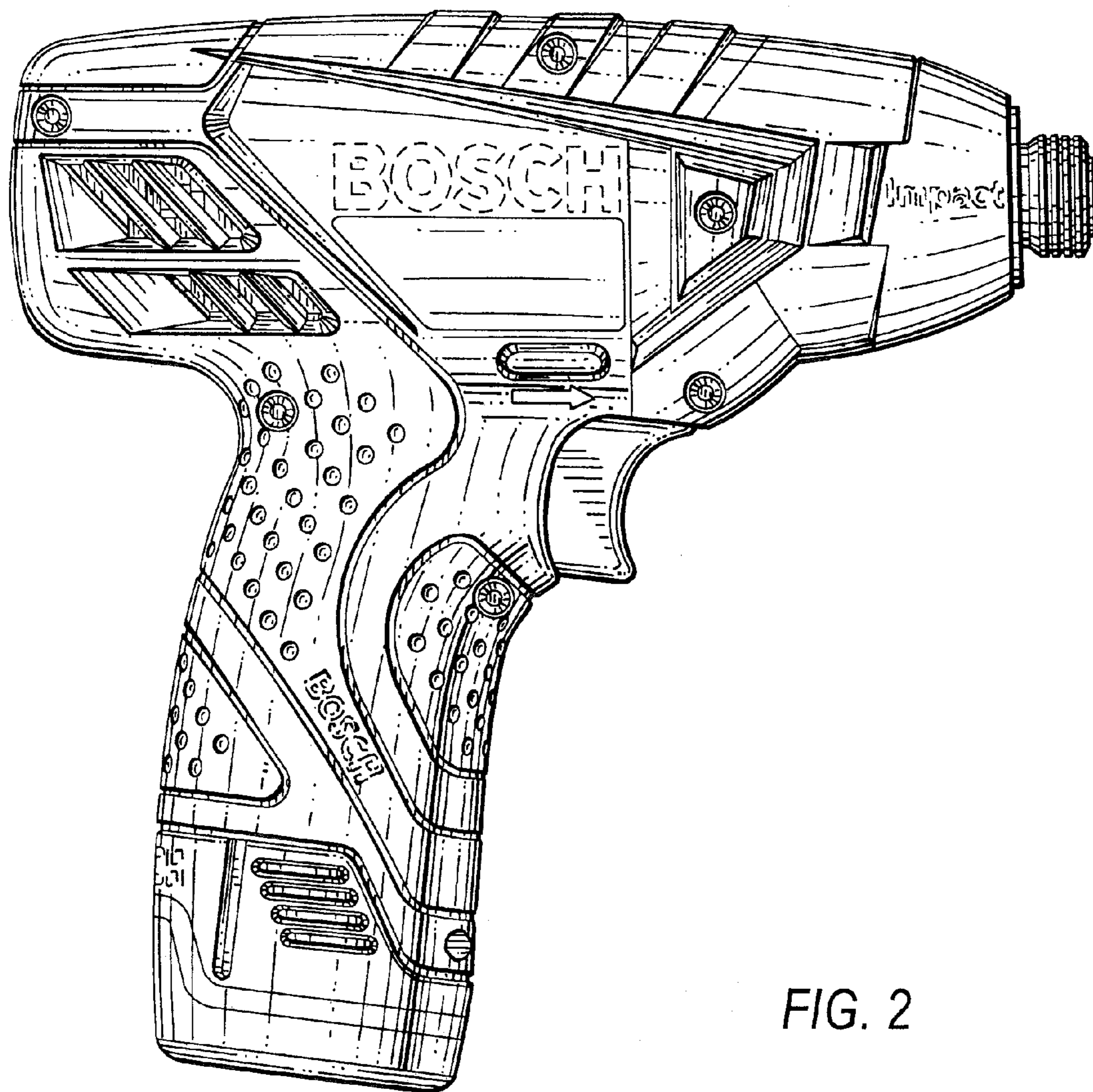


FIG. 2

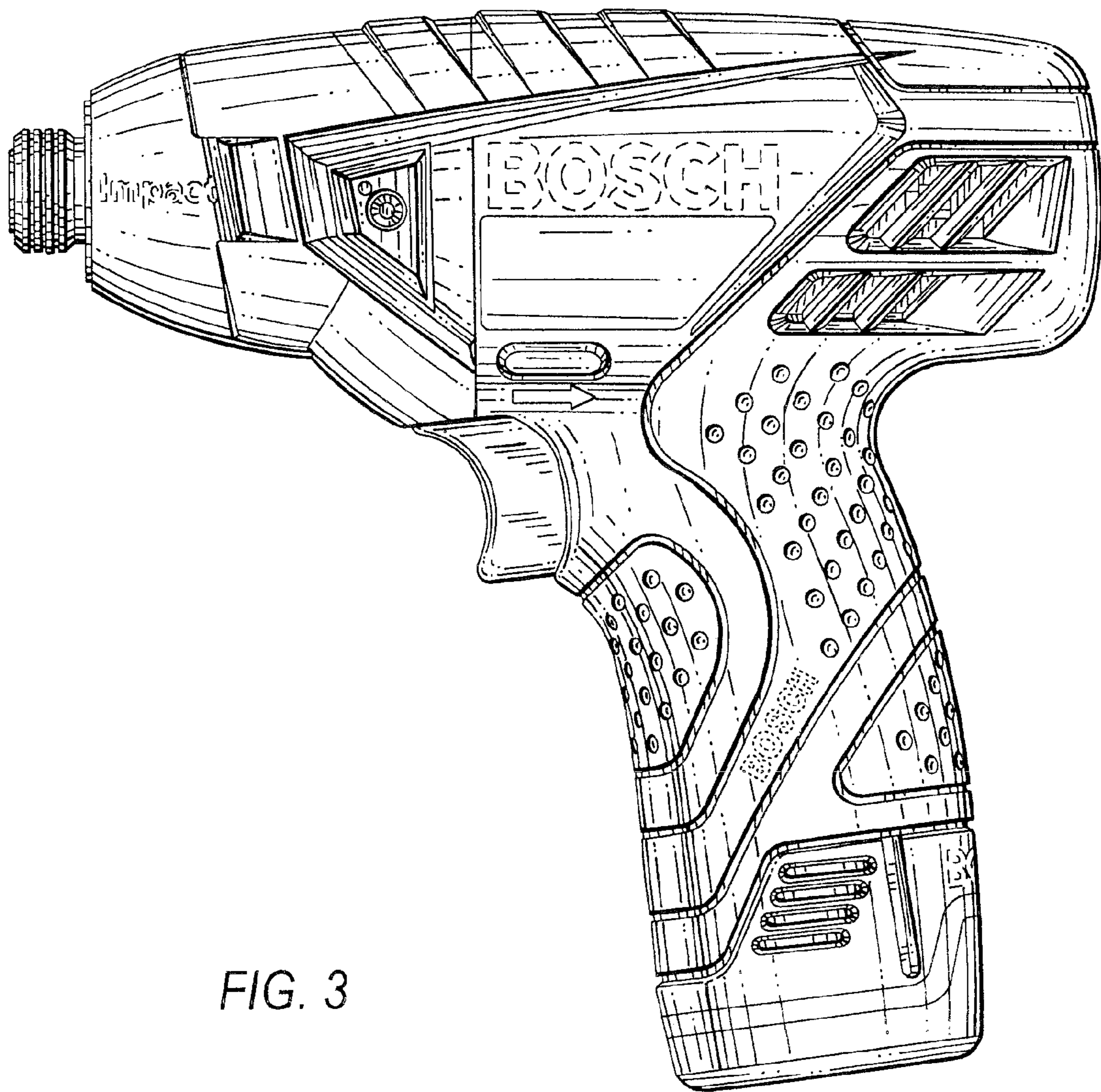


FIG. 3

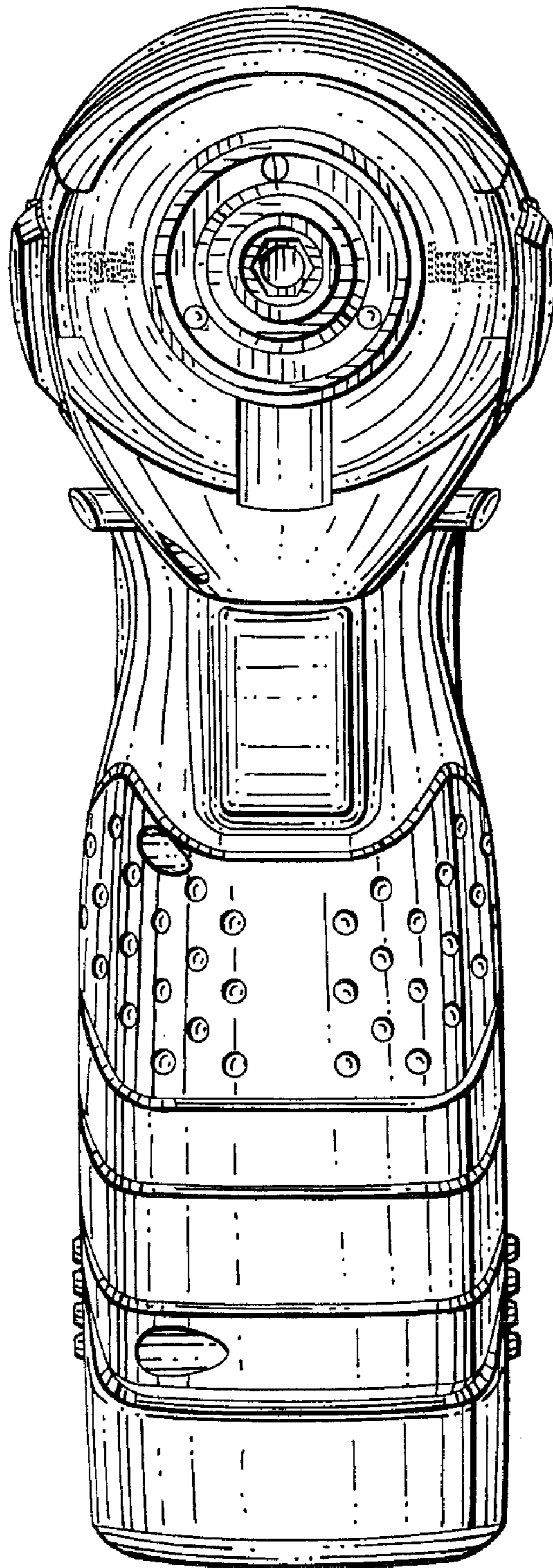


FIG. 4

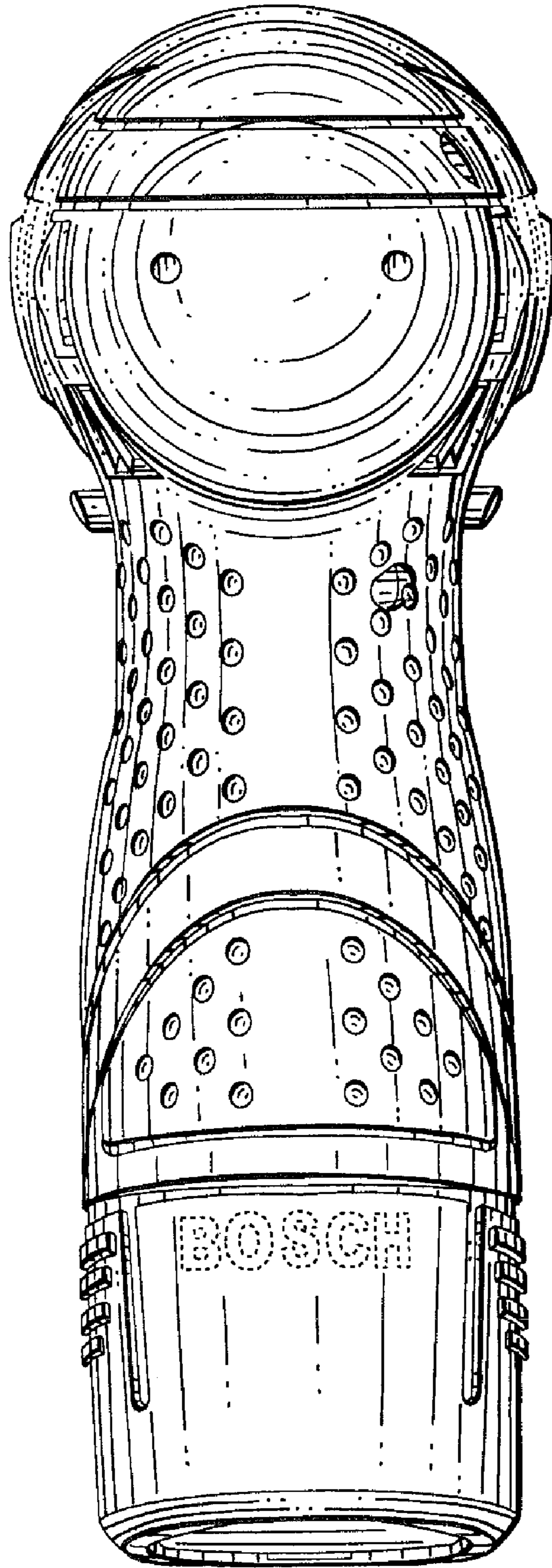


FIG. 5

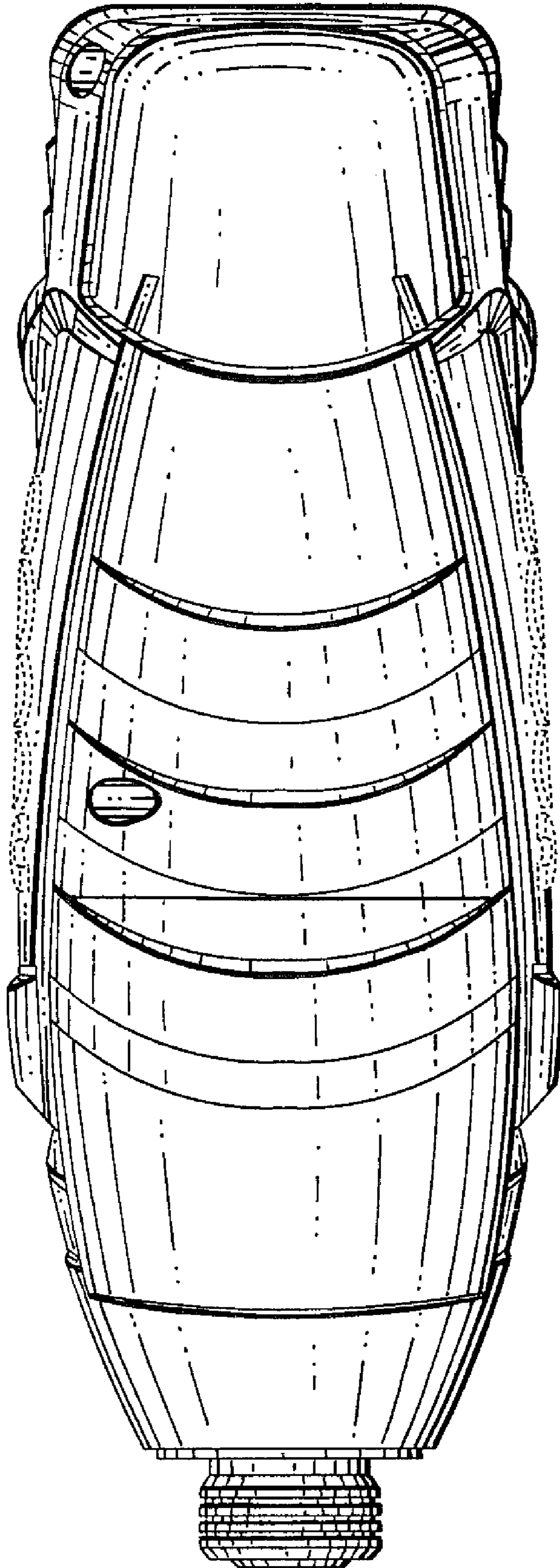


FIG. 6

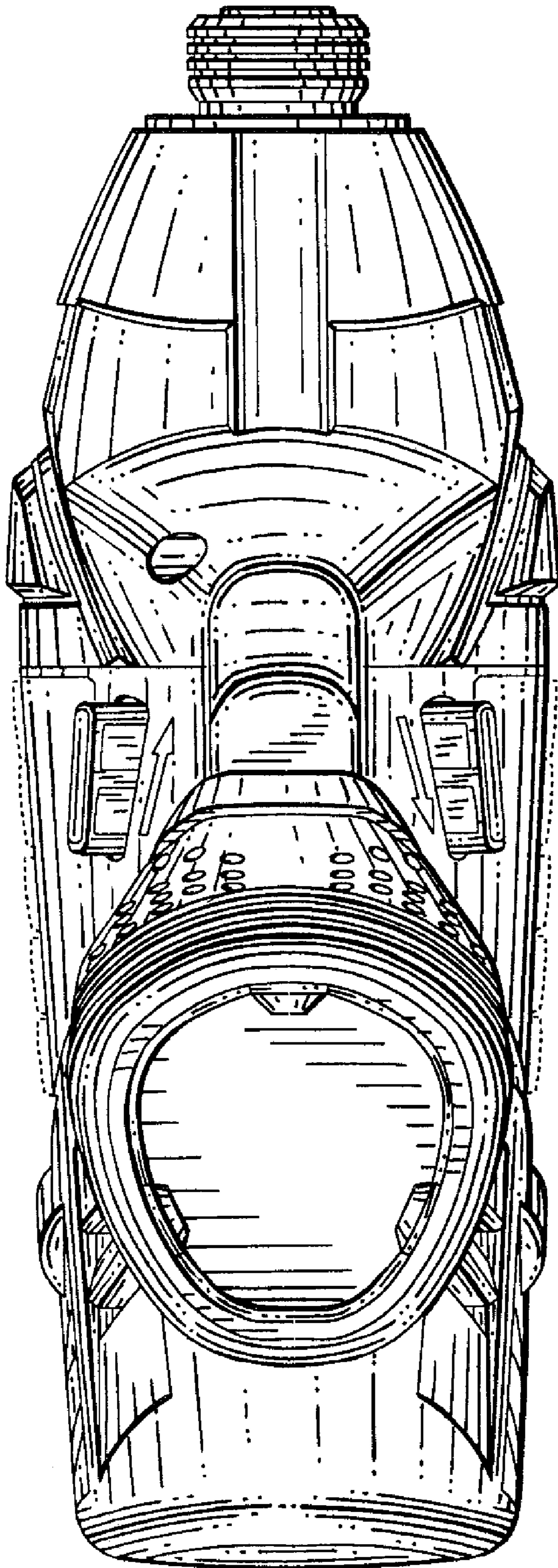


FIG. 7