



US00D560989S

(12) **United States Design Patent**
Yamamoto et al.

(10) **Patent No.:** **US D560,989 S**
(45) **Date of Patent:** **** Feb. 5, 2008**

- (54) **PORTABLE ELECTRIC JIG SAW**
- (75) Inventors: **Yuji Yamamoto, Anjo (JP); Go Yamamura, Anjo (JP)**
- (73) Assignee: **Makita Corporation, Anjo-Shi (JP)**
- (**) Term: **14 Years**
- (21) Appl. No.: **29/272,809**
- (22) Filed: **Feb. 20, 2007**
- (30) **Foreign Application Priority Data**
Sep. 29, 2006 (JP) 2006-026306
- (51) **LOC (8) Cl.** **08-03**
- (52) **U.S. Cl.** **D8/64**
- (58) **Field of Classification Search** D8/69,
D8/68, 67, 66, 64, 61; 83/747, 699.21; 310/50;
30/394, 393, 392, 391, 390, 377, 376; 173/217,
173/216
See application file for complete search history.

D486,711 S *	2/2004	Tam et al.	D8/64
D489,239 S *	5/2004	Keller	D8/64
D505,851 S *	6/2005	Waldron	D8/64
D519,014 S *	4/2006	Aglassinger	D8/64
D519,346 S *	4/2006	Wu	D8/64
D519,806 S *	5/2006	Waldron	D8/64
D520,318 S *	5/2006	Waldron	D8/64
D521,834 S *	5/2006	Andriolo et al.	D8/64
2003/0167641 A1 *	9/2003	Teng	30/337
2003/0196337 A1 *	10/2003	Wu	30/392

* cited by examiner

Primary Examiner—Cathron C. Brooks
Assistant Examiner—Austin Murphy
(74) *Attorney, Agent, or Firm*—Oliff & Berridge PLC

(57) **CLAIM**

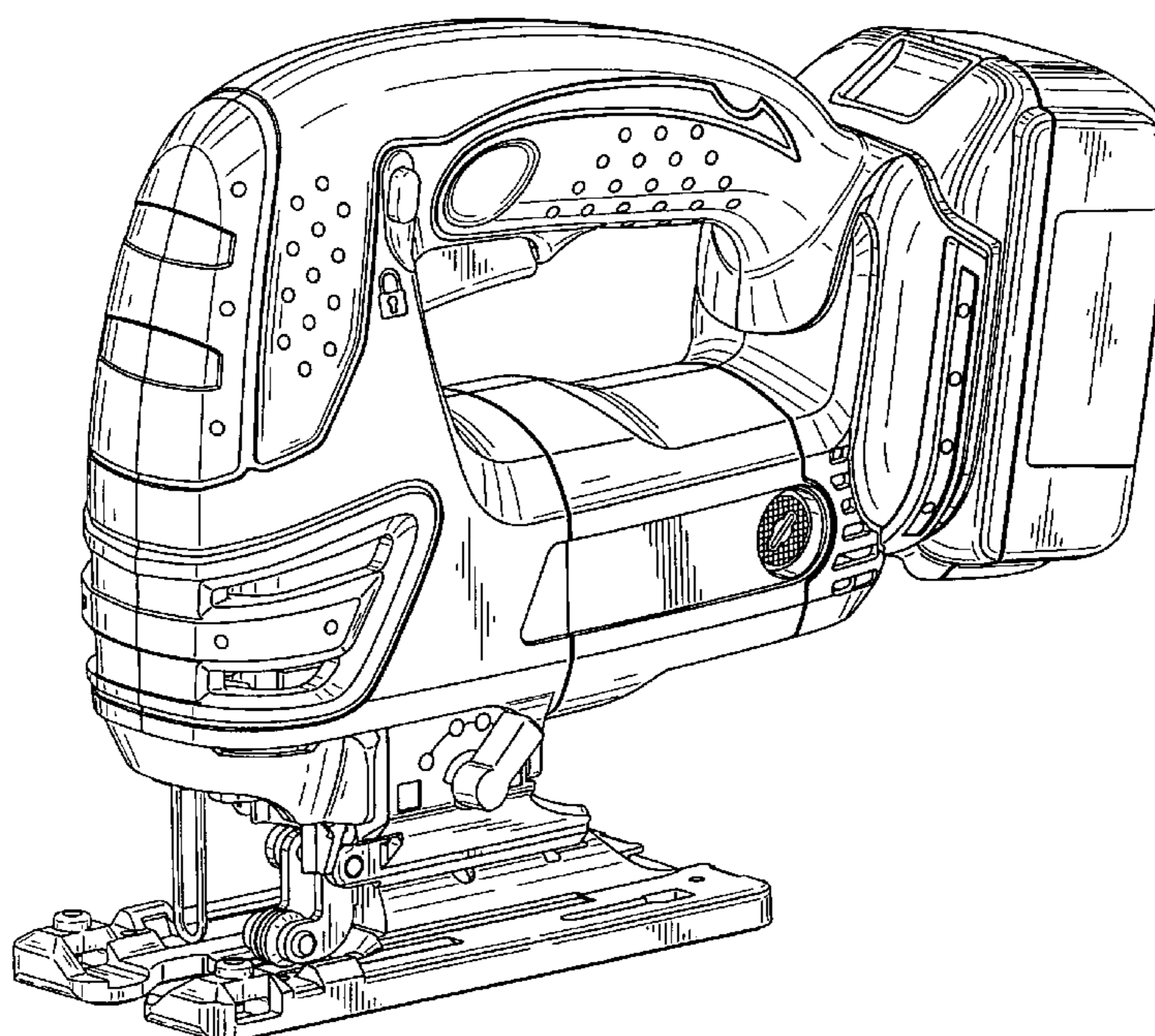
The ornamental design for a portable electric jig saw, as shown and described.

DESCRIPTION

FIG. 1 is a perspective view of top, front and right side of a portable electric jig saw showing our new design;
FIG. 2 is a right side view thereof;
FIG. 3 is a left side view thereof;
FIG. 4 is a front view thereof;
FIG. 5 is a rear view thereof;
FIG. 6 is a top plan view thereof; and,
FIG. 7 is a bottom view thereof.

1 Claim, 5 Drawing Sheets

- (56) **References Cited**
U.S. PATENT DOCUMENTS
- | | | | | |
|--------------|---------|-----------------|-------|-------|
| D414,094 S * | 9/1999 | Heun | | D8/64 |
| D426,124 S | 6/2000 | Kassalen et al. | | |
| D440,474 S * | 4/2001 | Heun | | D8/64 |
| D451,356 S * | 12/2001 | Pretzell | | D8/64 |
| D474,384 S * | 5/2003 | Andriolo | | D8/64 |
| D475,264 S | 6/2003 | Kondo et al. | | |
| D483,637 S * | 12/2003 | Tam et al. | | D8/64 |



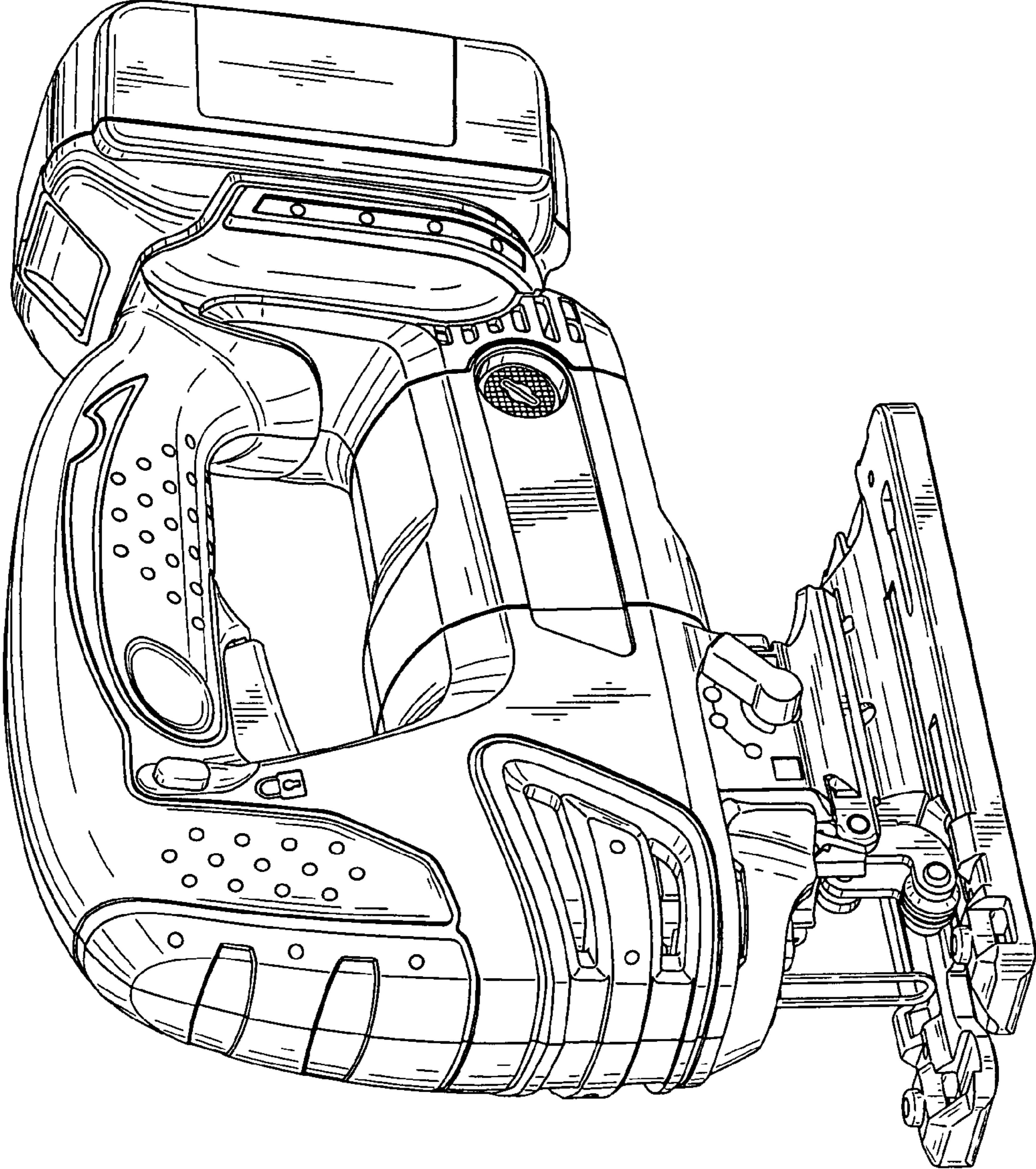


FIG. 1

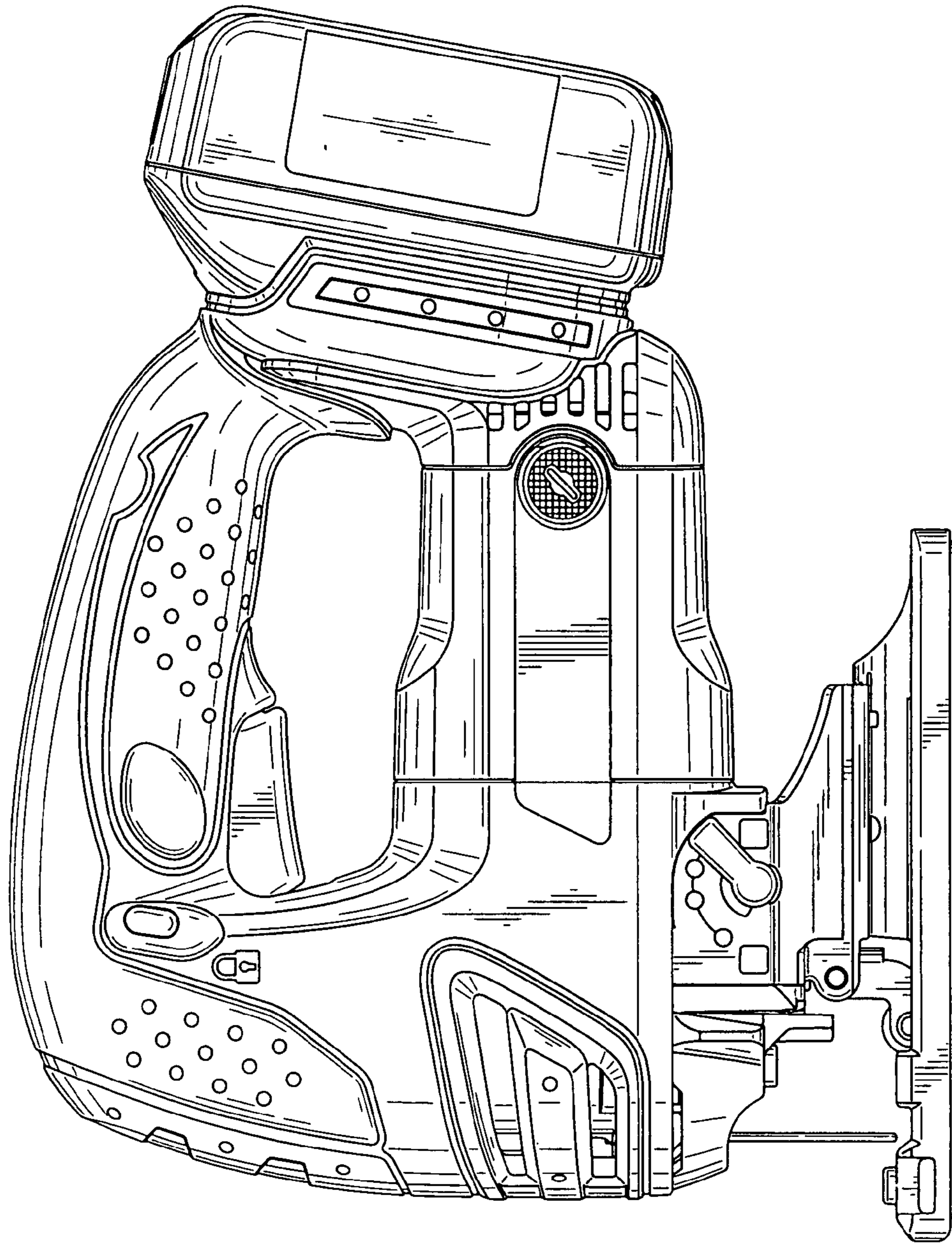


FIG. 2

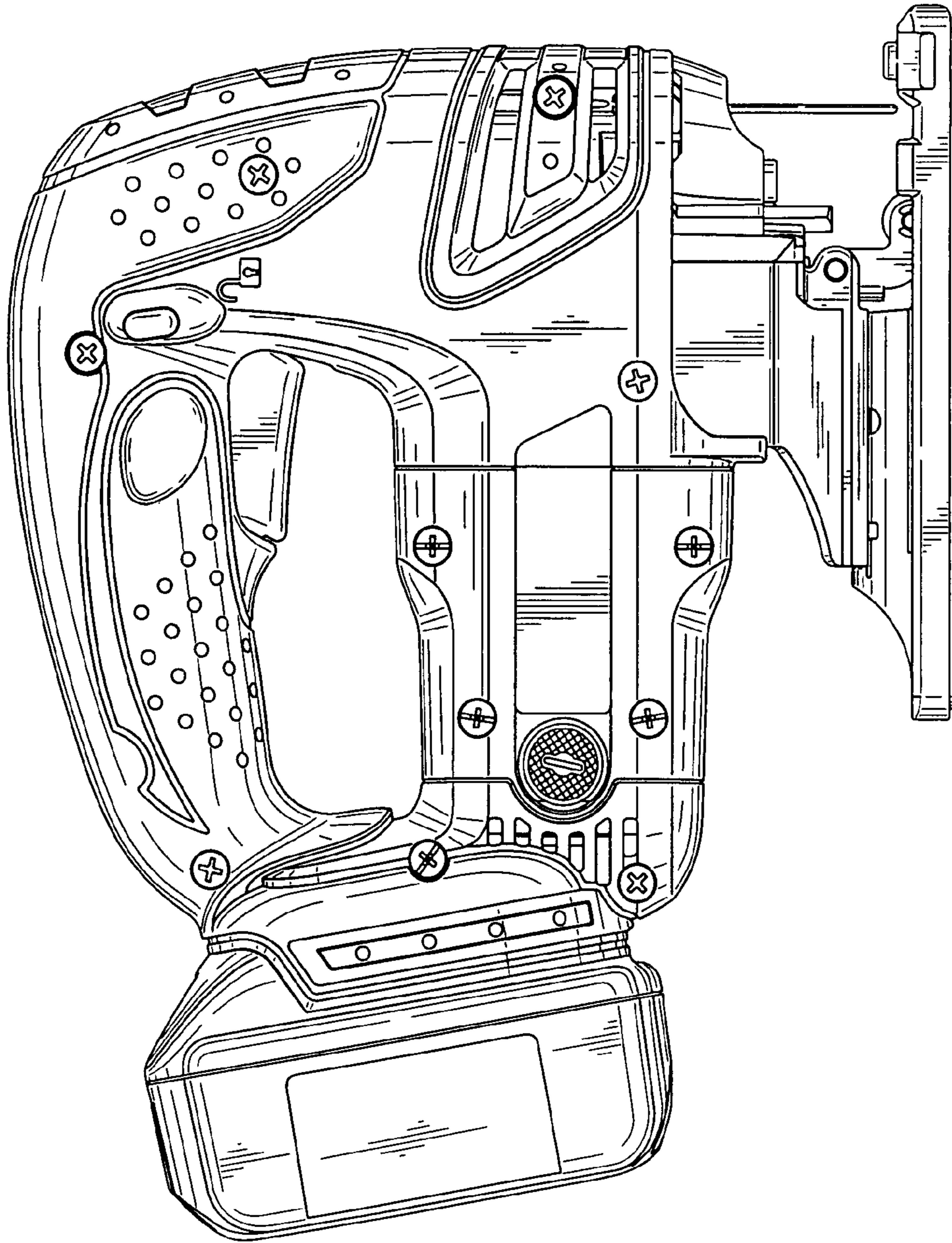


FIG. 3

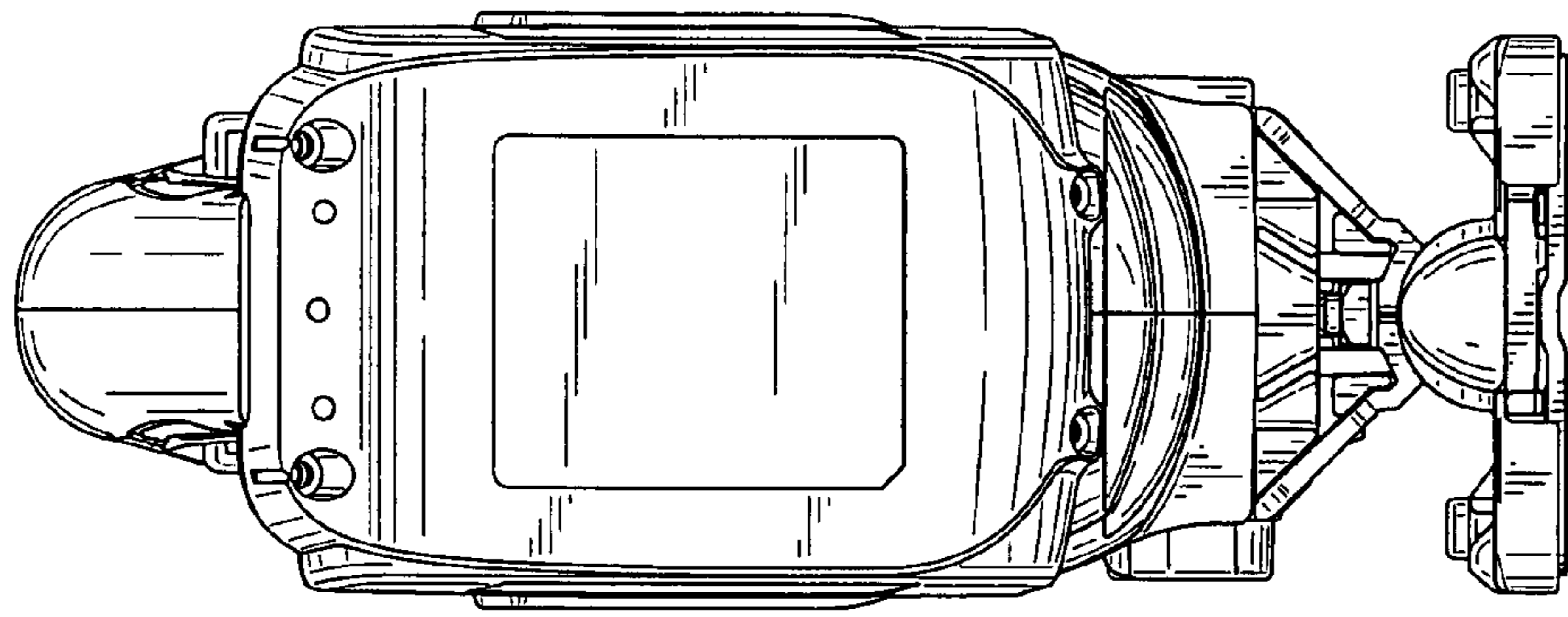


FIG. 5

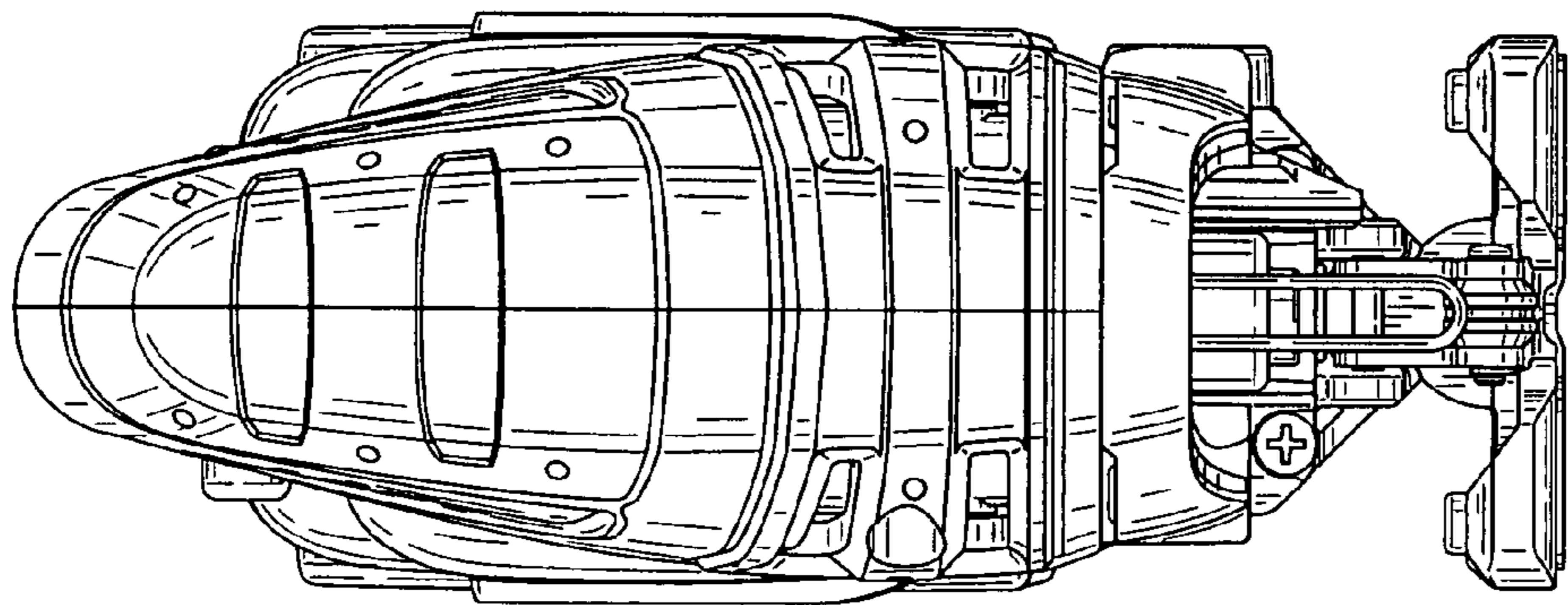


FIG. 4

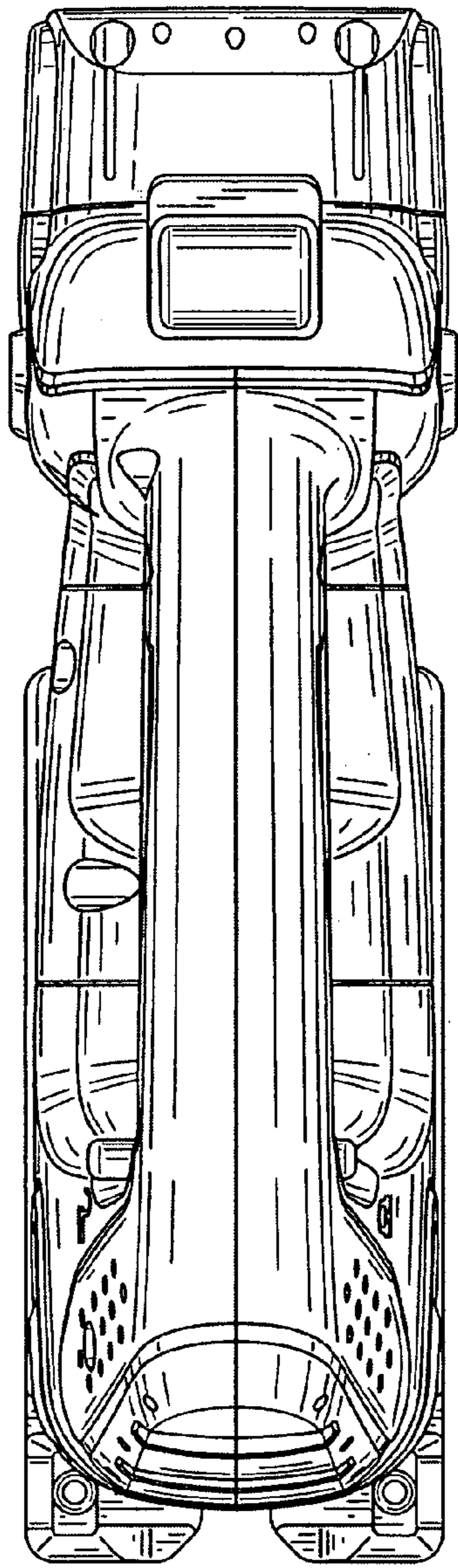


FIG. 6

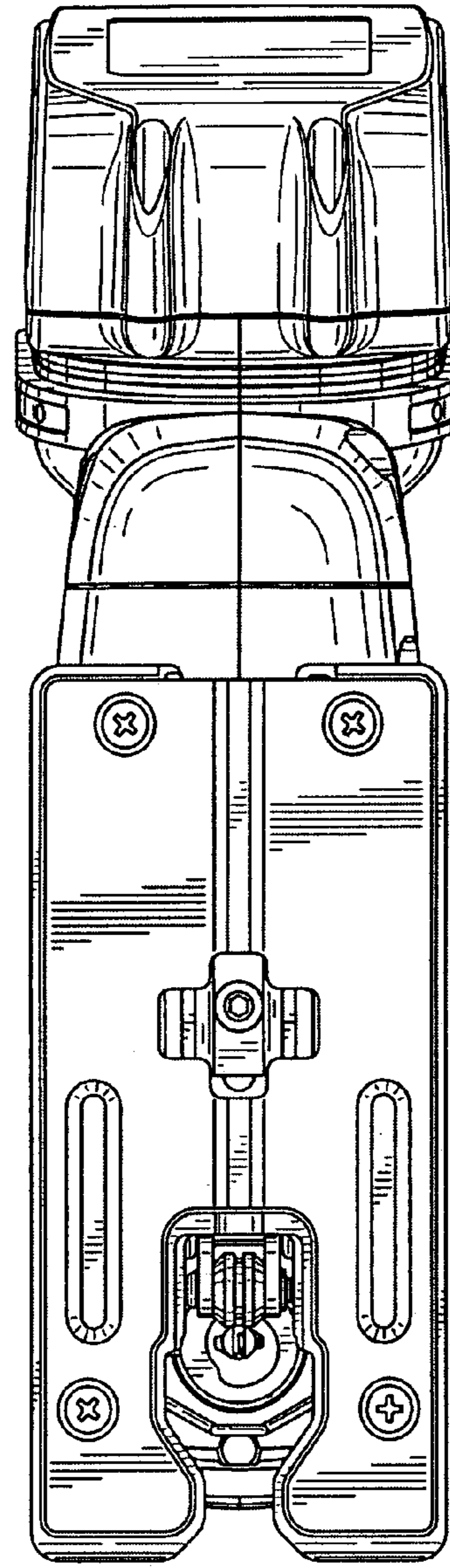


FIG. 7