



US00D560988S

(12) **United States Design Patent** (10) **Patent No.:** **US D560,988 S**
Watson et al. (45) **Date of Patent:** **** Feb. 5, 2008**

(54) **RECIPROCATING SAW**
(75) Inventors: **James B. Watson**, Fallston, MD (US);
Robert P. Welsh, Phoenix, MD (US)
(73) Assignee: **Black & Decker Inc.**, Newark, DE
(US)

(**) Term: **14 Years**
(21) Appl. No.: **29/262,414**
(22) Filed: **Jun. 30, 2006**

(51) **LOC (8) Cl.** **08-03**
(52) **U.S. Cl.** **D8/64**
(58) **Field of Classification Search** D8/69,
D8/68, 67, 66, 65, 64, 62, 61; 30/92, 394,
30/393, 392, 377, 376, 371; 74/50, 49; 173/217,
173/216; 83/699.21; 446/145
See application file for complete search history.

(56) **References Cited**
U.S. PATENT DOCUMENTS

D401,128 S	11/1998	Zurwelle	
D428,786 S *	8/2000	Hayakawa et al.	D8/64
D434,627 S	12/2000	Buck	
6,189,217 B1 *	2/2001	Melvin et al.	30/125
D440,849 S	4/2001	Sakai et al.	
6,272,757 B1 *	8/2001	Roe	30/377
6,296,065 B1 *	10/2001	Carrier	173/217
D456,233 S *	4/2002	Main	D8/64
6,484,409 B2 *	11/2002	Campbell et al.	30/371
D471,417 S *	3/2003	Chunn et al.	D8/64
D471,418 S *	3/2003	Chunn et al.	D8/64
D473,771 S	4/2003	Hayakawa et al.	
D474,088 S *	5/2003	Chunn et al.	D8/64
6,568,089 B1 *	5/2003	Popik et al.	30/392
D480,616 S	10/2003	Welsh	
D507,953 S	8/2005	Watson et al.	
D523,312 S	6/2006	Ozawa et al.	

D524,130 S	7/2006	Wolf et al.	
D524,132 S *	7/2006	Welsh	D8/64
D525,845 S *	8/2006	Welsh	D8/64
2004/0098870 A1 *	5/2004	Nemazi et al.	30/392
2004/0255475 A1 *	12/2004	Hirabayashi et al.	30/392
2005/0022395 A1 *	2/2005	Hirabayashi	30/392

FOREIGN PATENT DOCUMENTS

DE	M 9108195	11/1991
DE	40104242	5/2001
DE	40109686	10/2001
DE	40202701	3/2002
DE	40301818	3/2003
DE	40502458	5/2005
DE	000255823-0002	8/2005

* cited by examiner

Primary Examiner—Cathron C. Brooks
Assistant Examiner—Austin Murphy
(74) *Attorney, Agent, or Firm*—Mehul R. Jani; Adan Ayala;
Charles Yocum

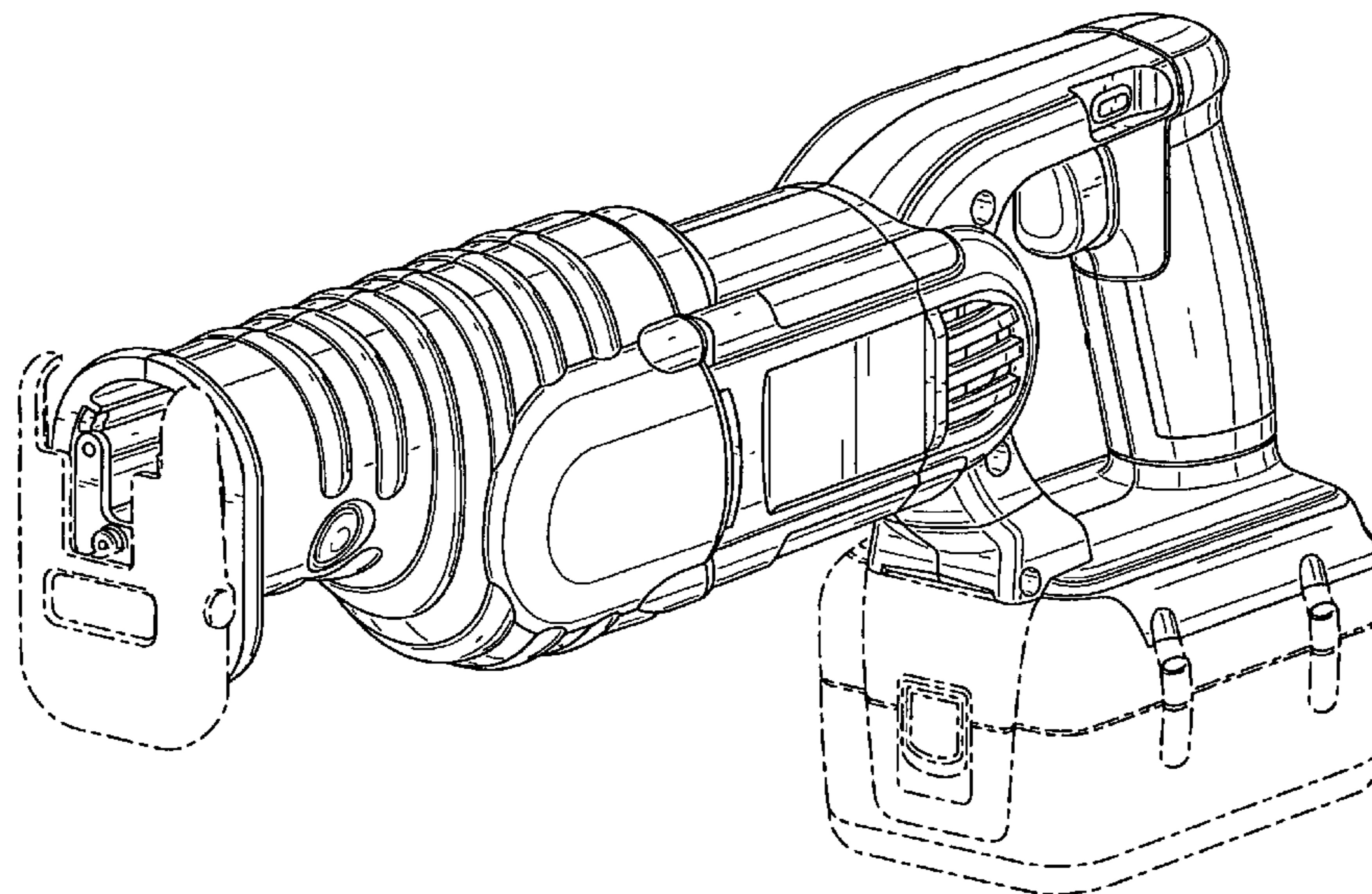
(57) **CLAIM**

The ornamental design for a reciprocating saw, as shown and described.

DESCRIPTION

FIG. 1 is a perspective view of a reciprocating saw showing the new design.
FIG. 2 is a front view thereof.
FIG. 3 is a back view thereof.
FIG. 4 is a right side view thereof,
FIG. 5 is a left side view thereof.
FIG. 6 is a top view thereof; and,
FIG. 7 is a bottom view thereof.

1 Claim, 5 Drawing Sheets



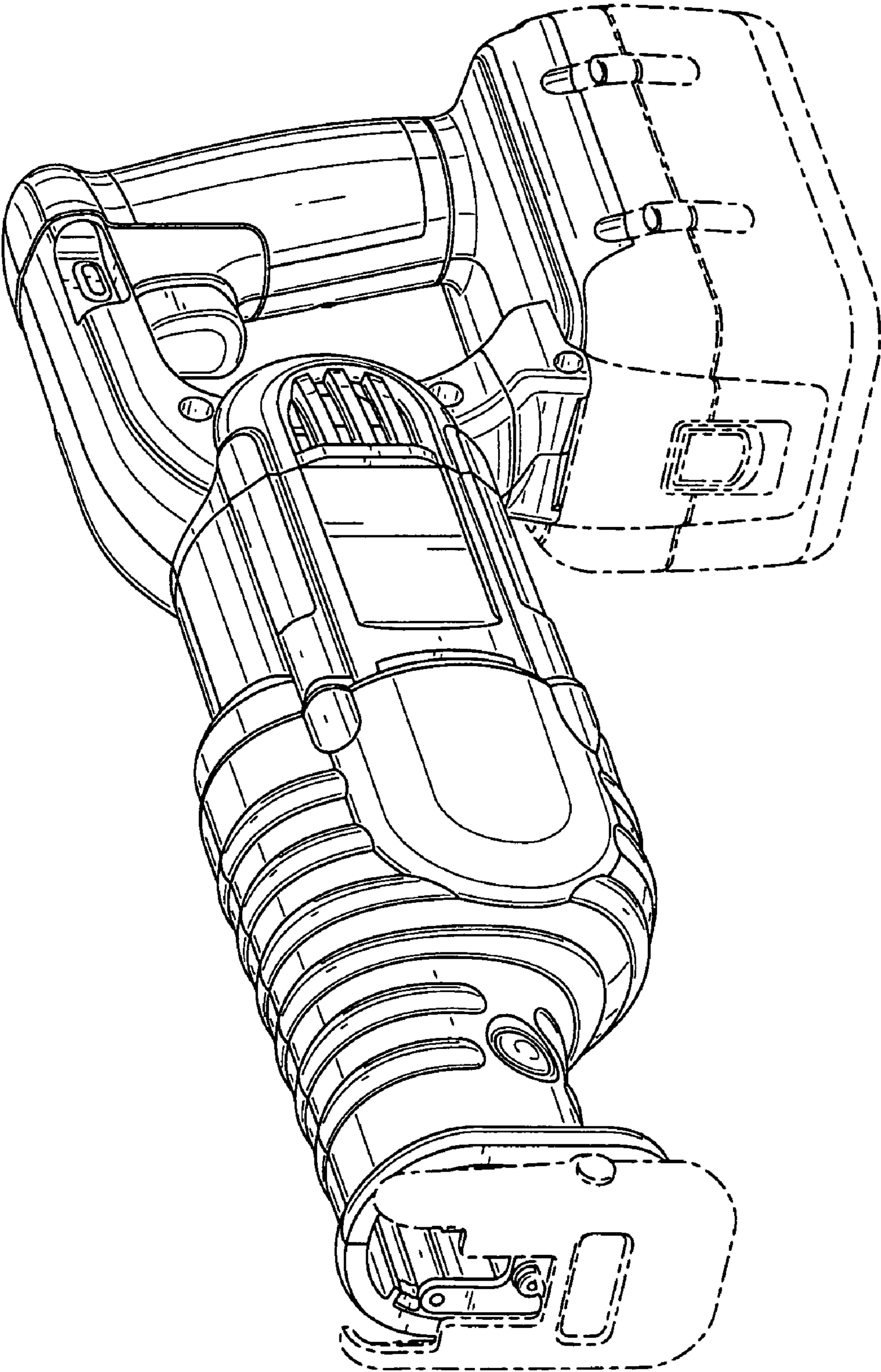


FIG. 1

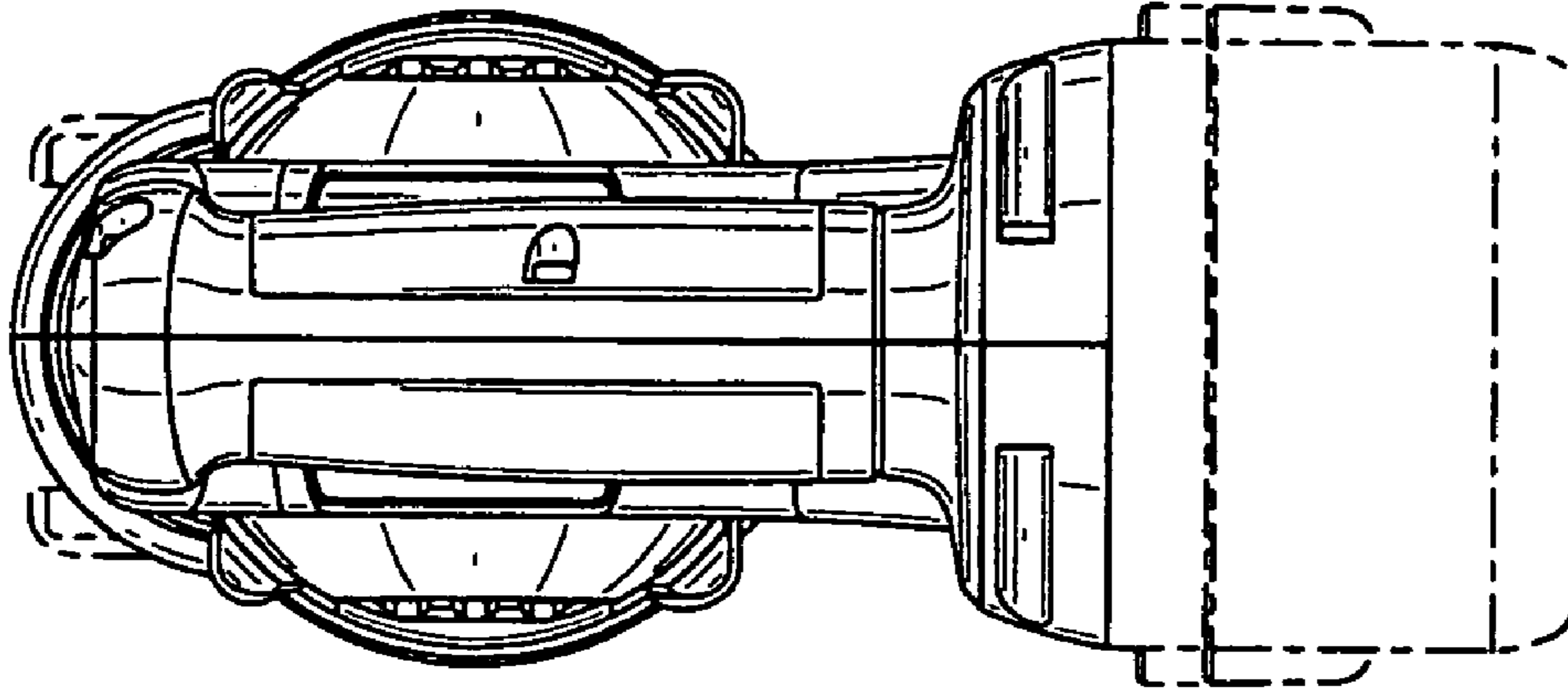


FIG. 3

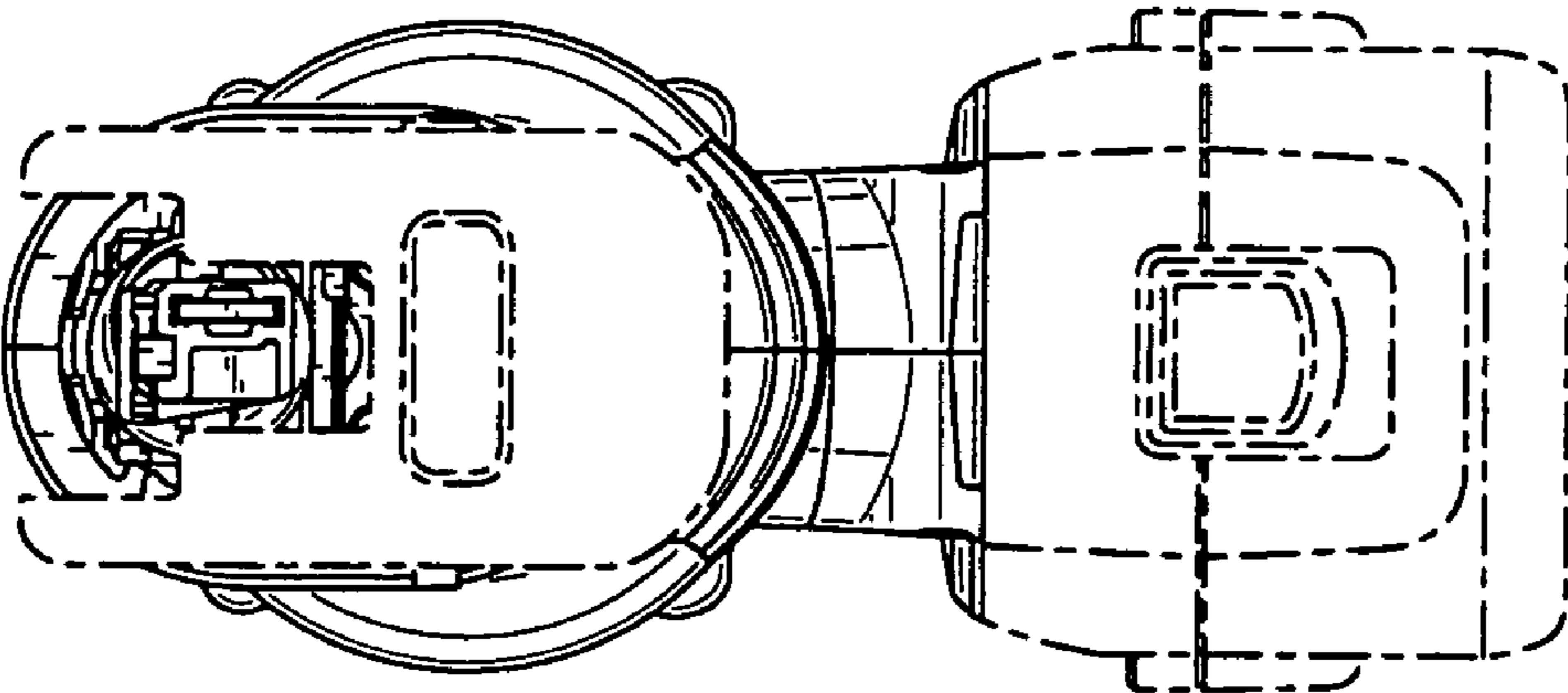


FIG. 2

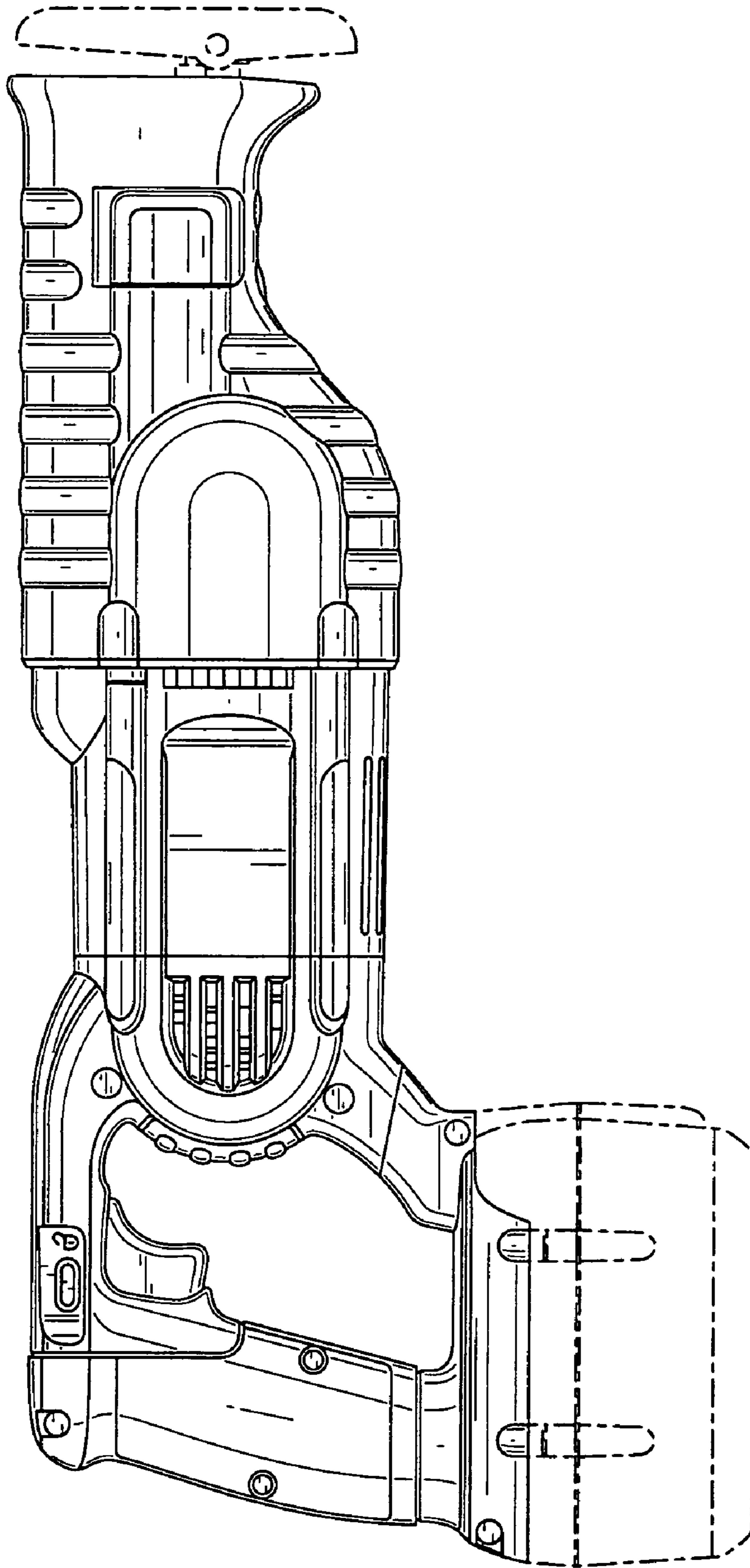


FIG. 4

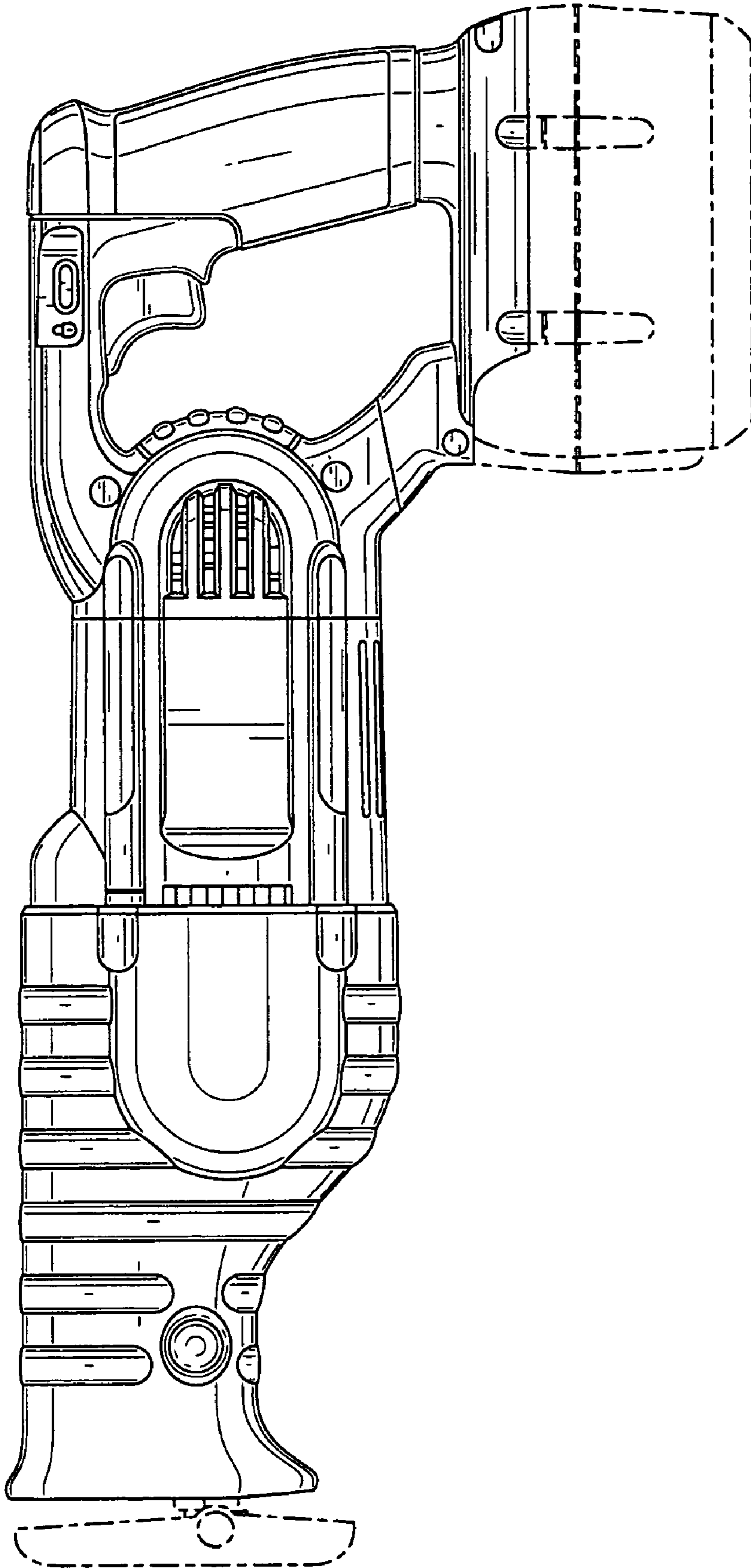


FIG. 5

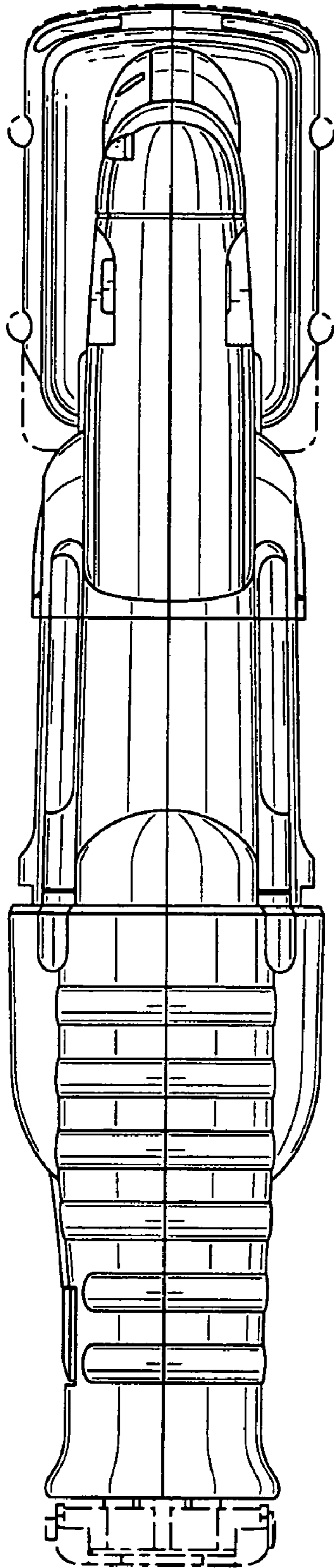


FIG. 6

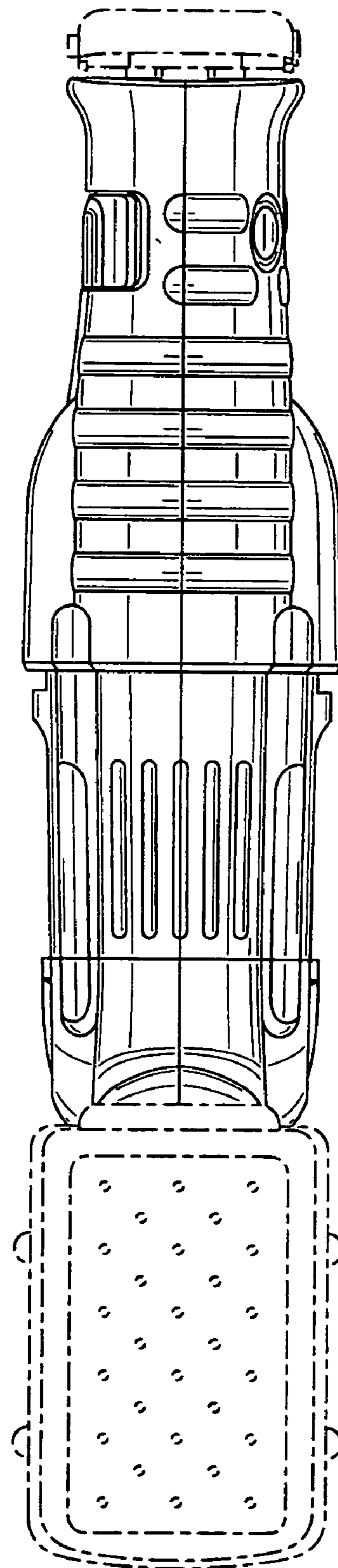


FIG. 7