



US00D560987S

(12) **United States Design Patent** (10) **Patent No.:** **US D560,987 S**
Krushlin et al. (45) **Date of Patent:** **** Feb. 5, 2008**

(54) **HAMMER TACKER**

(75) Inventors: **Michael A. Krushlin**, Westland, MI (US); **Steven J. Mandel**, New York, NY (US)

(73) Assignee: **Arrow Fastener Co., Inc.**, Saddle Brook, NJ (US)

(**) Term: **14 Years**

(21) Appl. No.: **29/283,314**

(22) Filed: **Aug. 10, 2007**

(51) **LOC (8) Cl.** **19-02**

(52) **U.S. Cl.** **D8/49**

(58) **Field of Classification Search** D8/61-70, D8/81, 49, 50, 51; D19/65; 7/144, 160; 81/57.11, 54, 57.42; 173/2, 202; 227/123, 227/130, 2, 8, 131

See application file for complete search history.

(56) **References Cited**

U.S. PATENT DOCUMENTS

- D148,032 S * 12/1947 Lindstrom D8/49
- D168,517 S * 12/1952 Marano D8/49
- 2,655,963 A * 10/1953 Dell 81/492
- 3,113,317 A * 12/1963 Carlson, Sr. et al. 227/128
- D272,983 S * 3/1984 Biddle D8/51
- D324,476 S * 3/1992 King, III D8/107
- D417,375 S * 12/1999 Fealey et al. D8/49

- 6,047,427 A * 4/2000 Whitlock et al. 7/144
- D448,264 S * 9/2001 Lee D8/69
- 6,823,592 B1 * 11/2004 Rowe 30/329
- 7,228,998 B1 * 6/2007 Schulz et al. 227/147
- 2006/0253996 A1 * 11/2006 Bianco 7/160
- 2007/0205247 A1 * 9/2007 Ebbesson et al. 227/120

* cited by examiner

Primary Examiner—Cathron C. Brooks

Assistant Examiner—Austin Murphy

(74) *Attorney, Agent, or Firm*—Leon E. Redman; Lloyd D. Doigan

(57) **CLAIM**

An ornamental design for a hammer tacker, as shown and described.

DESCRIPTION

FIG. 1 is a top perspective view of the hammer tacker showing our new design;

FIG. 2 is a front elevational view thereof;

FIG. 3 is a rear elevational view thereof;

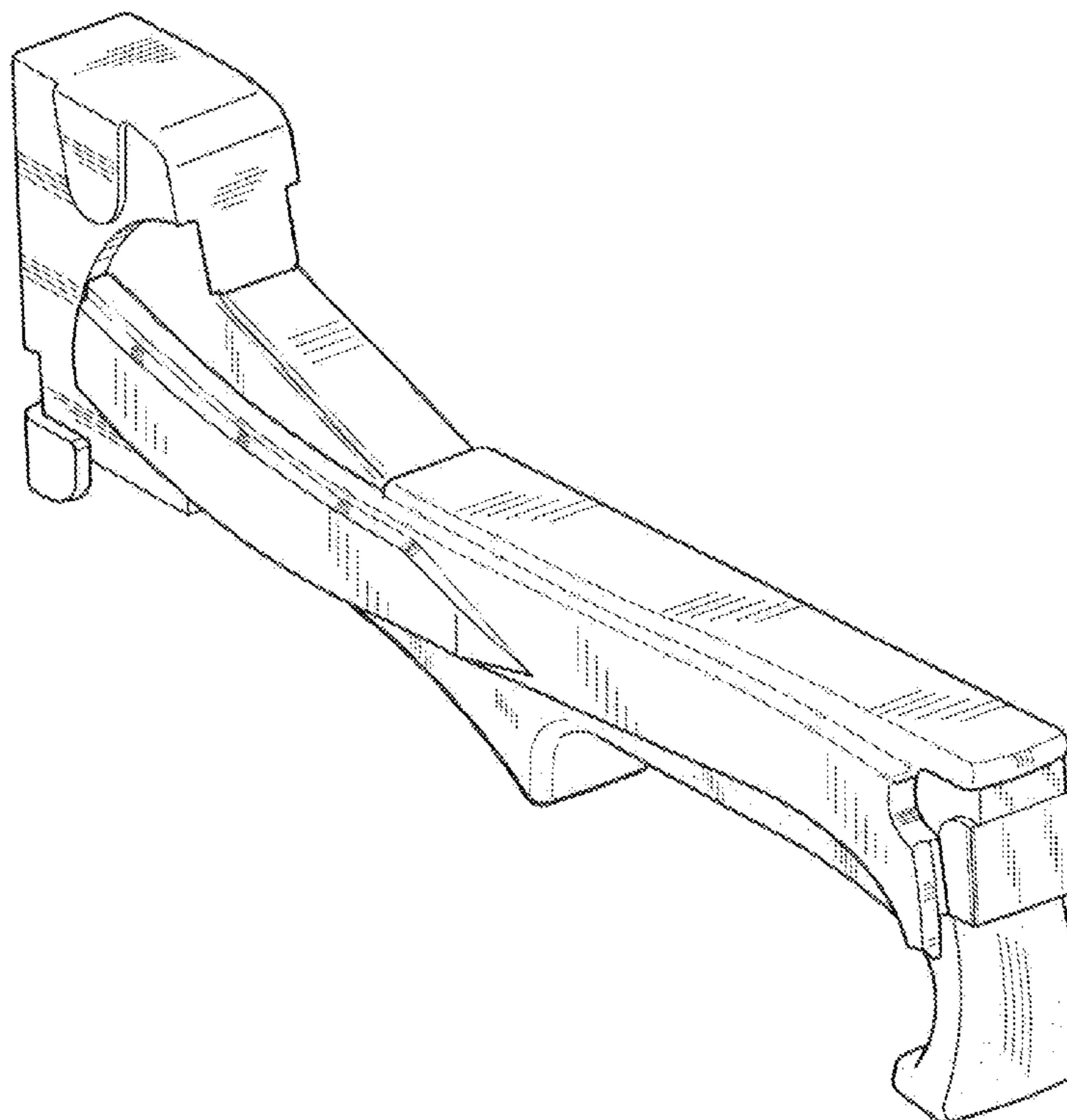
FIG. 4 is a left side view thereof;

FIG. 5 is a right side view thereof;

FIG. 6 is a top plan view thereof; and,

FIG. 7 is a bottom plan view thereof.

1 Claim, 3 Drawing Sheets



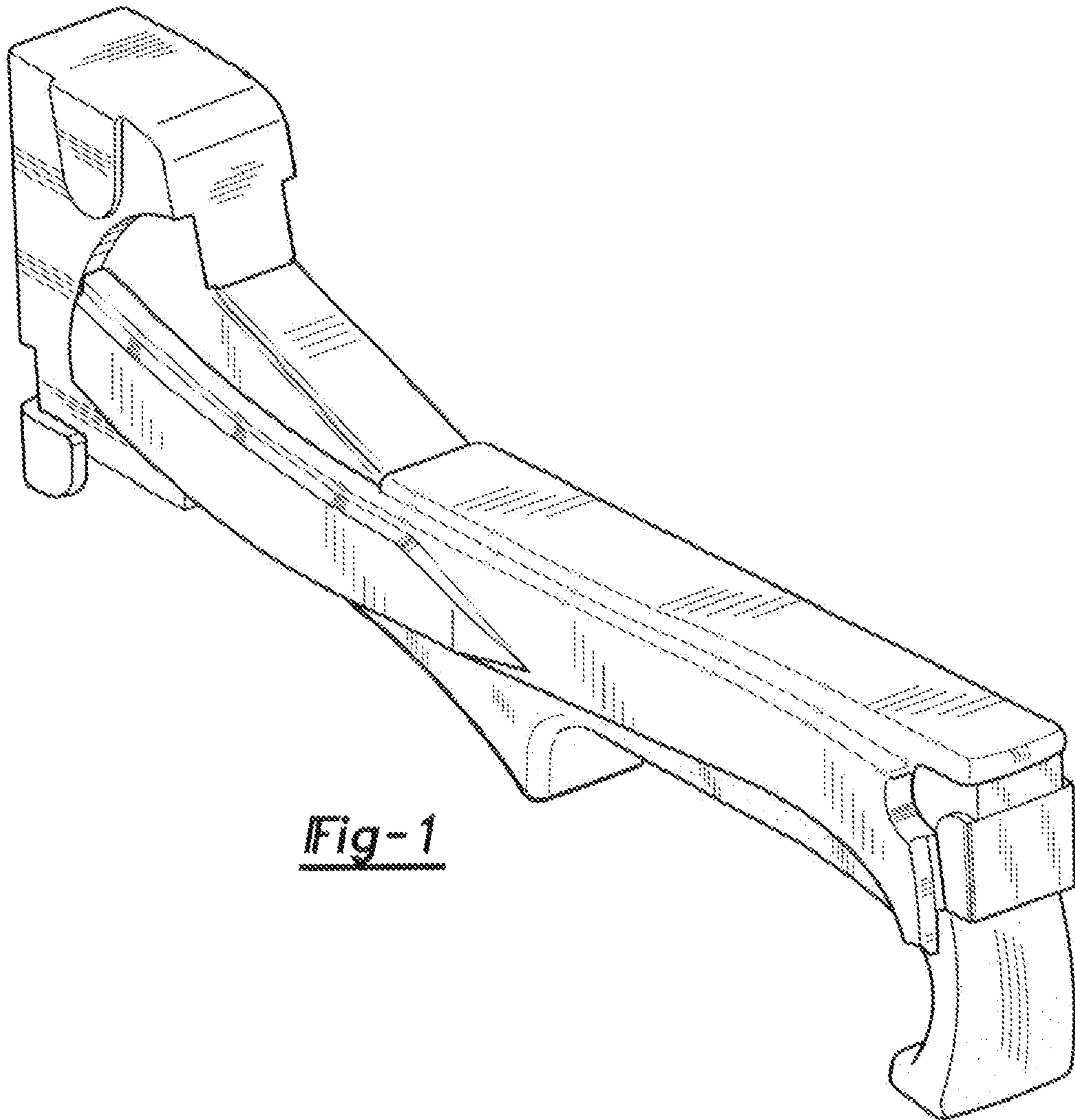


Fig-1

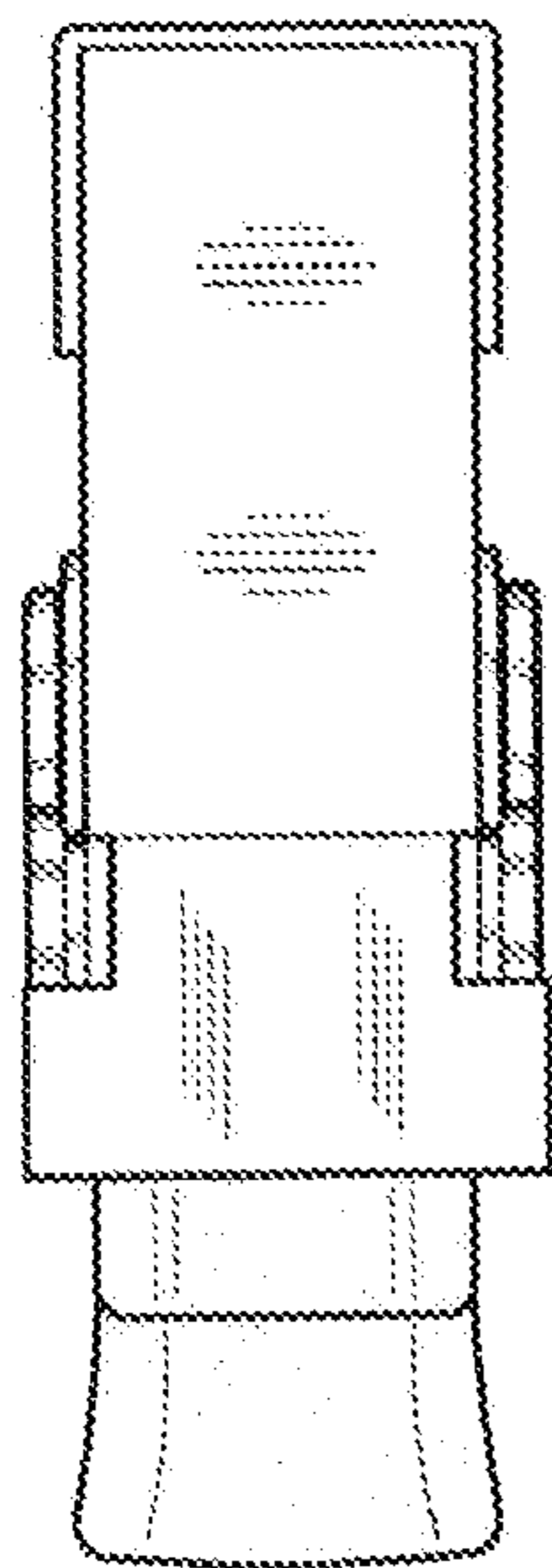


Fig-2

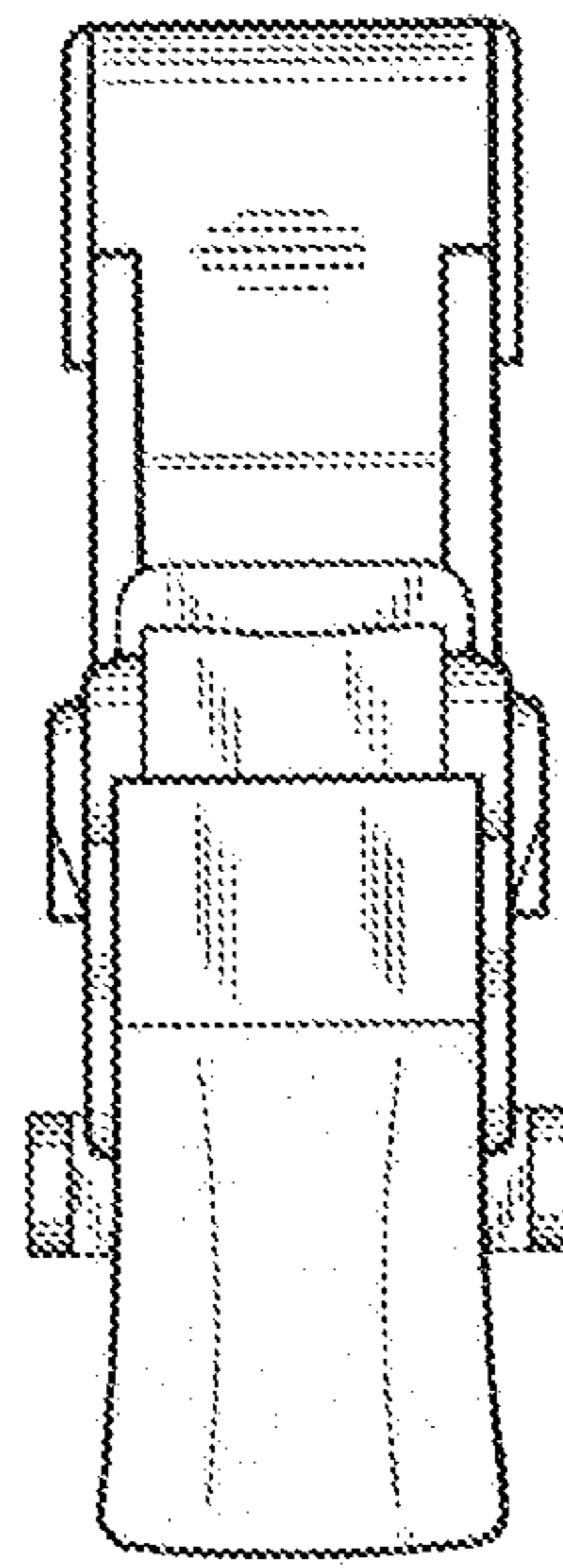


Fig-3

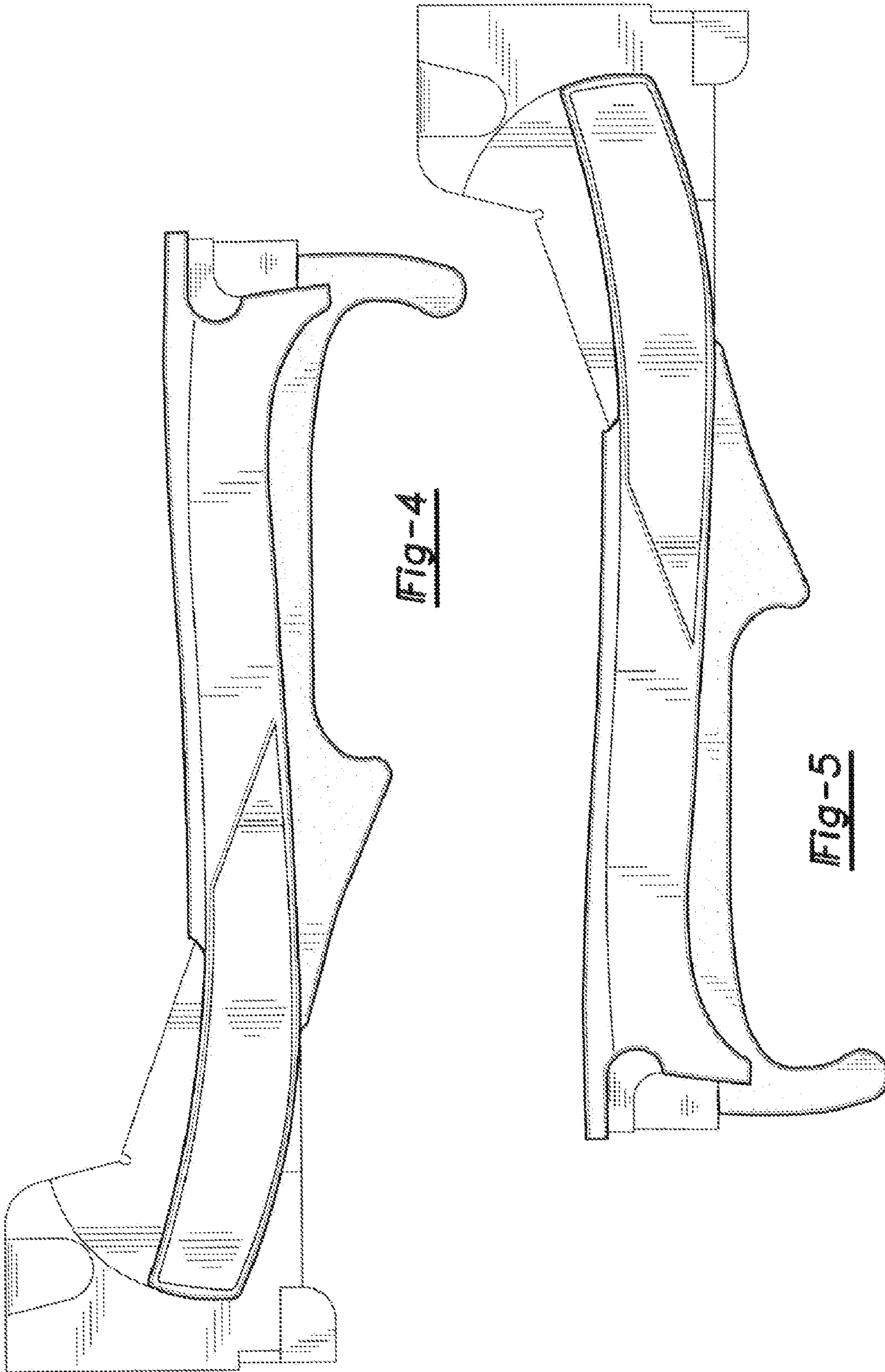


Fig-4

Fig-5

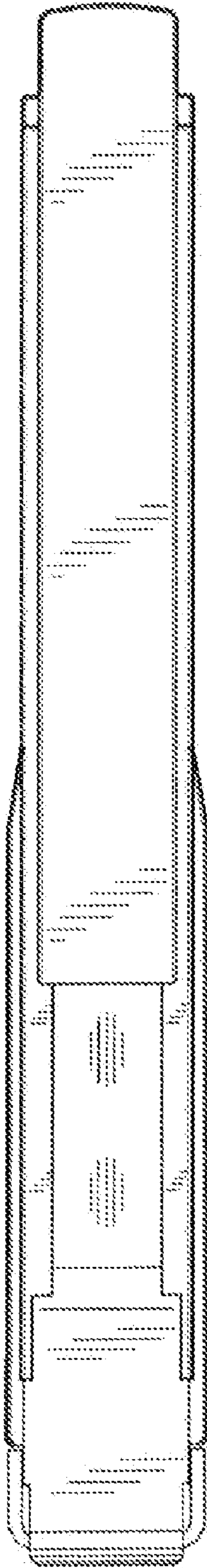


Fig-6

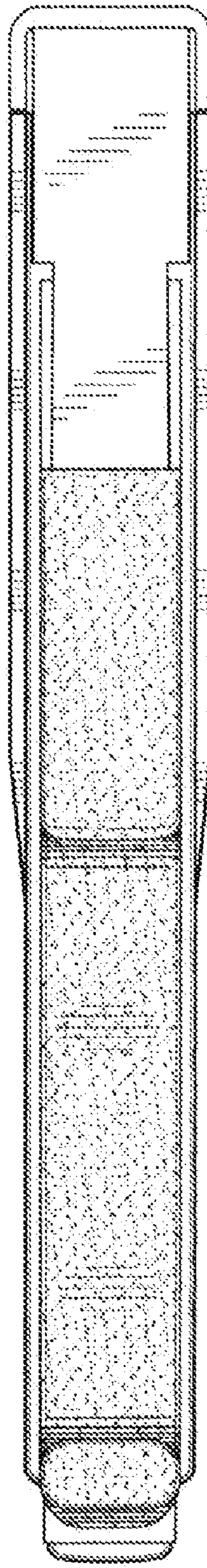


Fig-7