



US00D560985S

(12) **United States Design Patent**
Quorning

(10) **Patent No.:** **US D560,985 S**

(45) **Date of Patent:** **** Feb. 5, 2008**

(54) **TURNBUCKLE**

(75) Inventor: **Eric Quorning**, Haderslev (DK)

(73) Assignee: **BSI. A/S** (DK)

(**) Term: **14 Years**

(21) Appl. No.: **29/233,939**

(22) Filed: **Jul. 12, 2005**

(30) **Foreign Application Priority Data**

Jan. 14, 2005 (DK) DA 2005 00010
Jan. 18, 2005 (DK) DA 2005 00016

(51) **LOC (8) Cl.** **08-05**

(52) **U.S. Cl.** **D8/25**

(58) **Field of Classification Search** D8/21-30,
D8/81-87, 102-107, 98, 99, 55, 93, 94; 81/60-63.2,
81/177.1, 177.85, 121.1, 124.3, 165-170,
81/110.1, 176.2, 124.6, 176.1, 176.15, 177.2,
81/177.8, 489, 125.1, 119-120, 186, 177.9,
81/185.1, 3.35, 58, 3.345, 155; 16/110.1,
16/429, 441, 124.6; D15/144.1; 219/75,
219/227, 229, 121.16, 121.18; 206/378;
7/100, 138, 168, 157

See application file for complete search history.

(56) **References Cited**

U.S. PATENT DOCUMENTS

5,199,330 A * 4/1993 Arnold et al. 81/63.2
5,471,899 A * 12/1995 Twomlow 81/60
5,913,954 A * 6/1999 Arnold et al. 81/63.2
6,053,077 A * 4/2000 Huang 81/63.1
D471,411 S * 3/2003 Hu D8/25

6,532,846 B2 * 3/2003 Lin 81/177.2
2002/0017172 A1 * 2/2002 Lin 81/177.2
2004/0020331 A1 * 2/2004 Lee 81/177.2

* cited by examiner

Primary Examiner—Raphael Barkai
Assistant Examiner—Randall H Gholson

(74) *Attorney, Agent, or Firm*—St. Onge Steward Johnston
& Reens LLC

(57) **CLAIM**

The ornamental design for a turnbuckle, as shown and described.

DESCRIPTION

FIG. 1 is a top plan view of a turnbuckle in accordance with the new design;

FIG. 2 is a right side elevation view thereof, the left side elevation view being essentially similar;

FIG. 3 is a bottom plan view thereof;

FIG. 4 is front elevation view thereof;

FIG. 5 is a rear elevation view thereof;

FIG. 6 is a front, top and right side perspective view thereof;

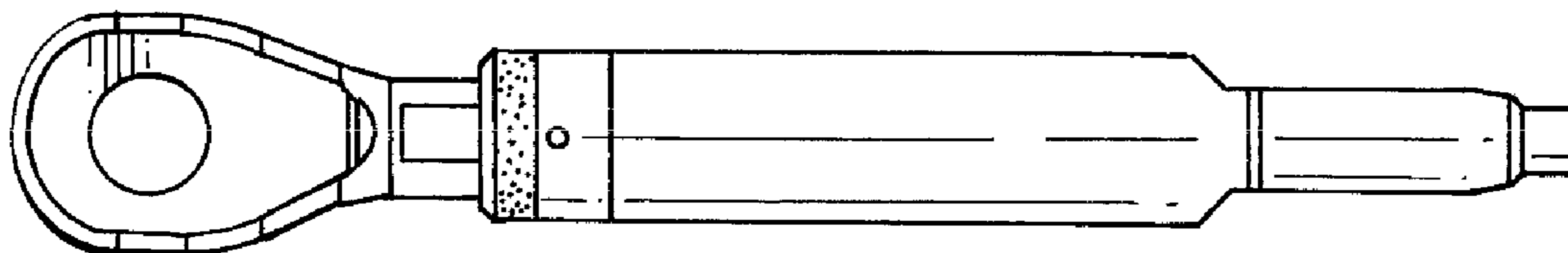
FIG. 7 is a rear, bottom and right side perspective view thereof;

FIG. 8 is a top plan view of a turnbuckle of FIG. 1 in an extended position;

FIG. 9 is a right side elevation view thereof; and,

FIG. 10 is a rear, bottom and right side perspective view thereof.

1 Claim, 3 Drawing Sheets



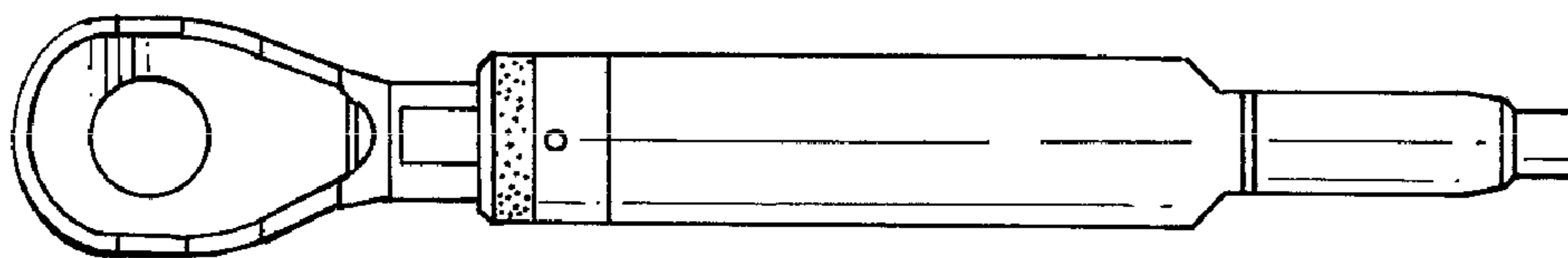


FIG. 1

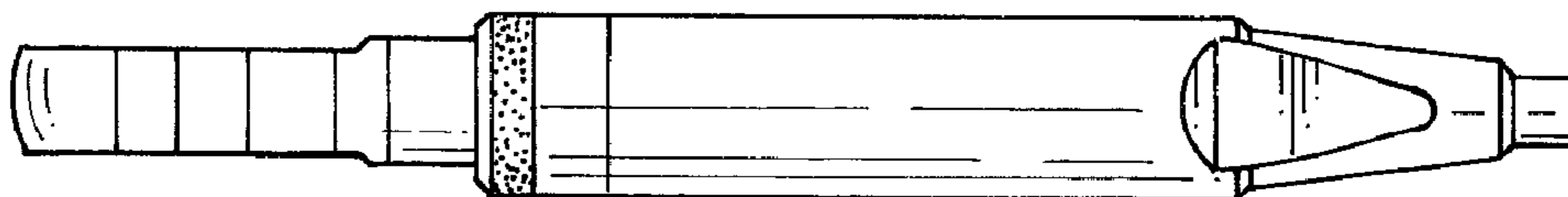


FIG. 2

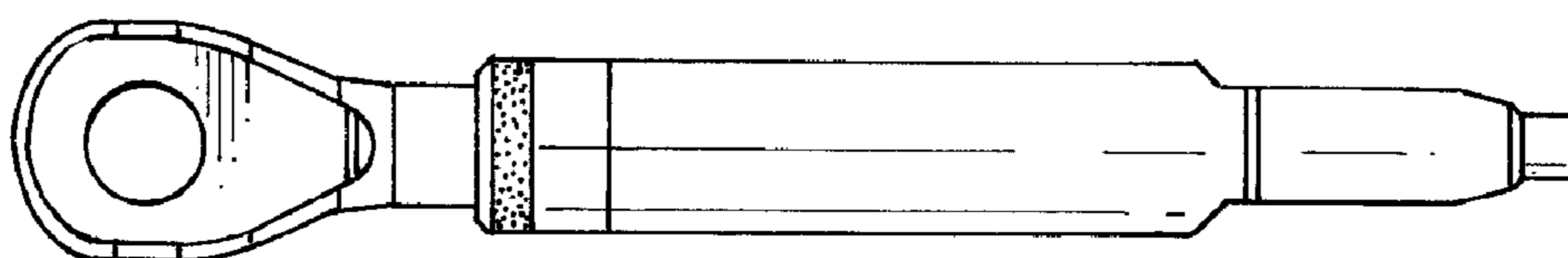


FIG. 3

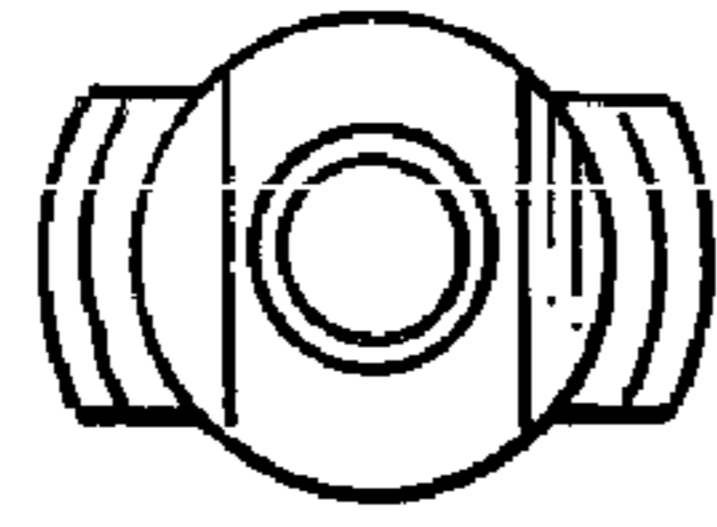


FIG. 4

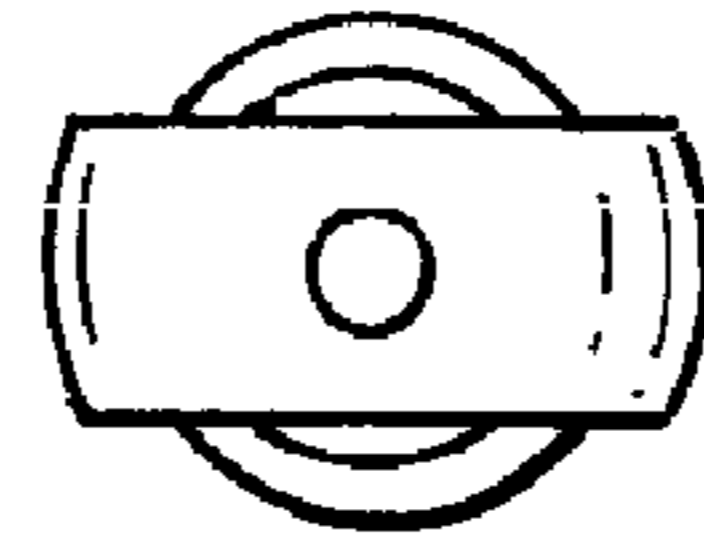


FIG. 5

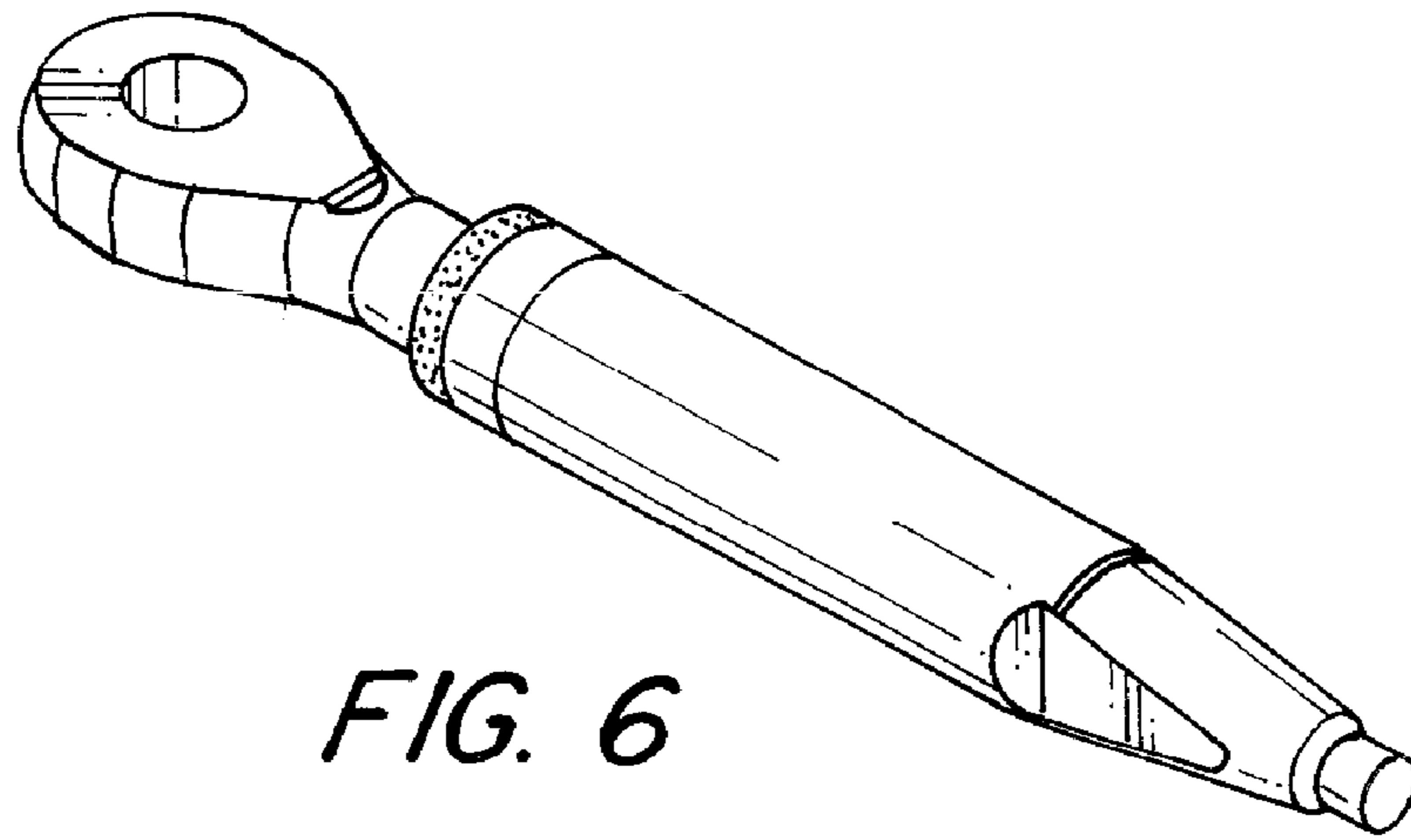


FIG. 6

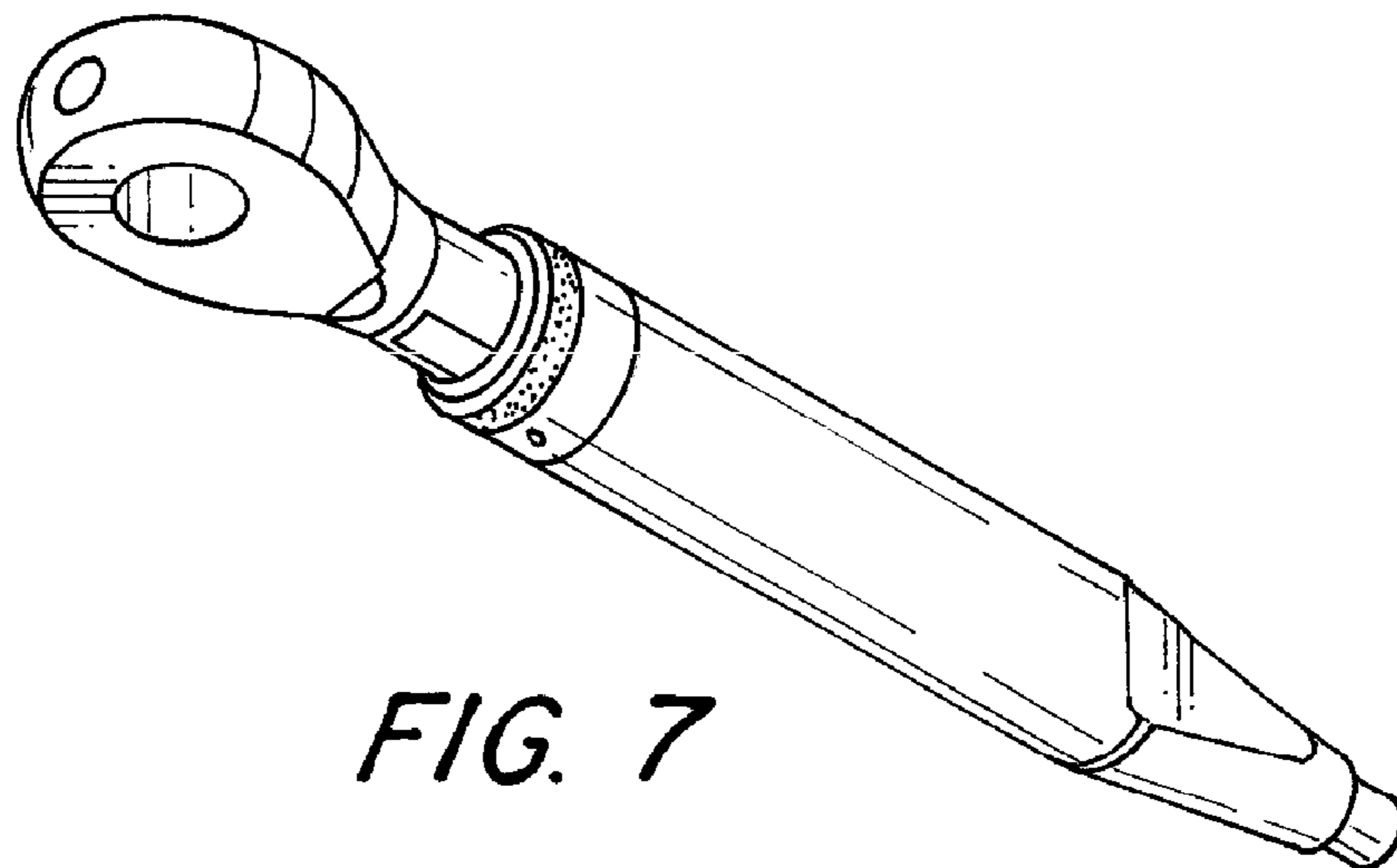


FIG. 7

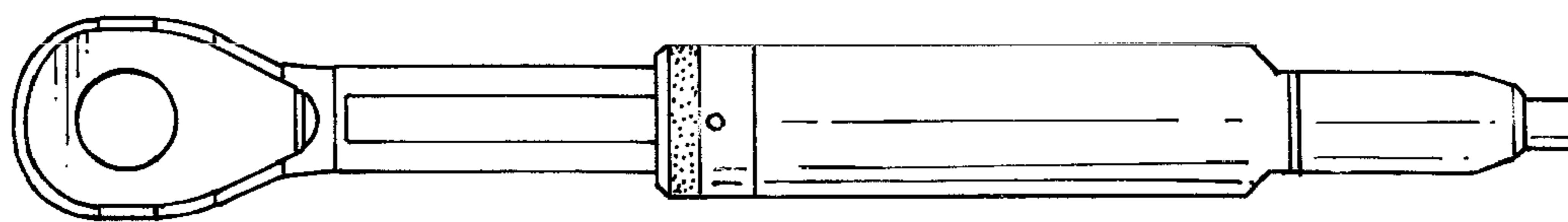


FIG. 8



FIG. 9

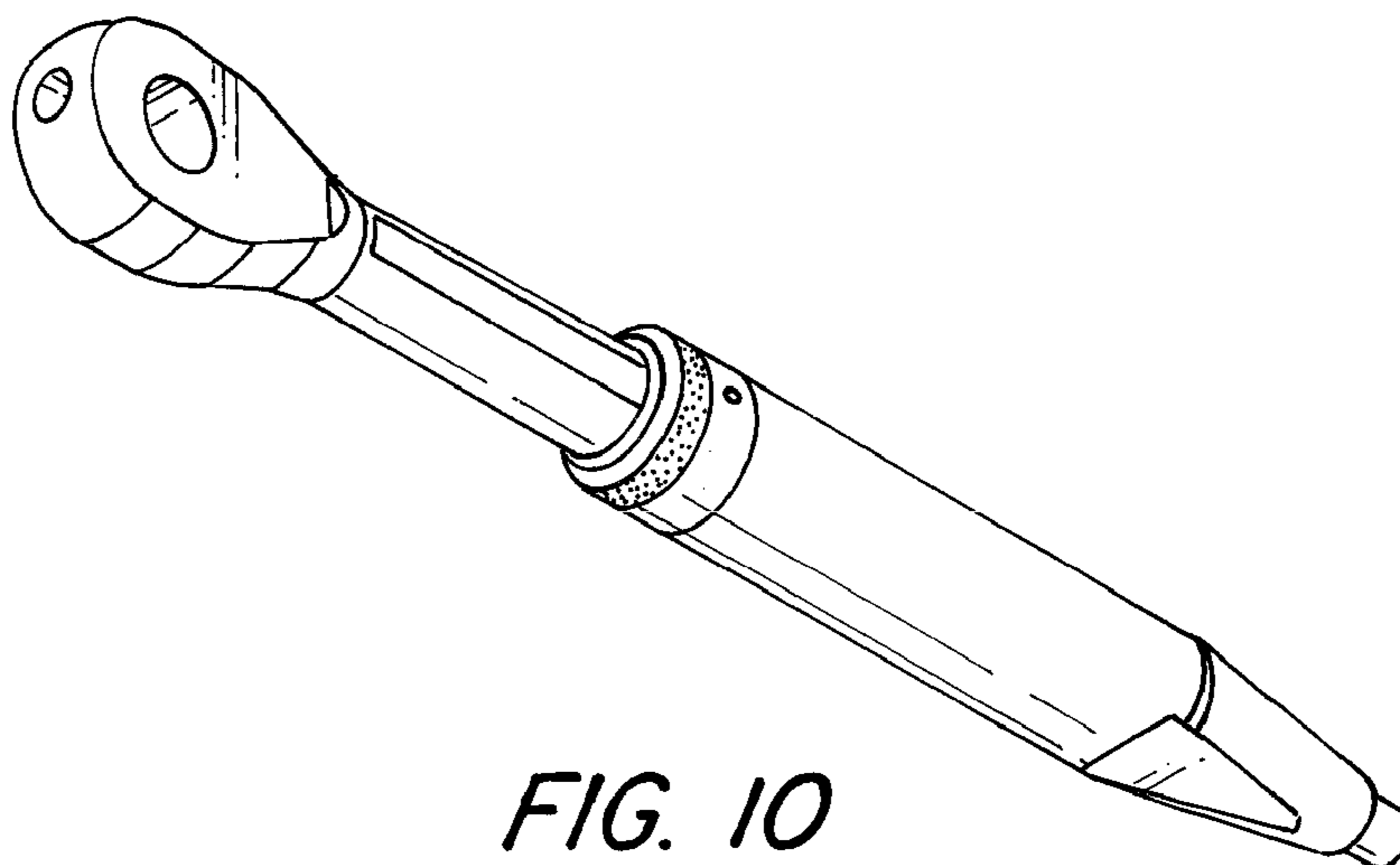


FIG. 10