



US00D560982S

(12) **United States Design Patent**  
**Hammond, Sr.**

(10) **Patent No.:** **US D560,982 S**

(45) **Date of Patent:** **\*\* Feb. 5, 2008**

(54) **PLUG CUTTER**

D528,878 S \* 9/2006 Laramee ..... D8/7  
7,198,113 B1 \* 4/2007 Schoppe ..... 172/22

(76) Inventor: **Avis D. Hammond, Sr.**, 1629 Amy Cir.,  
Springdale, AR (US) 72762

(\*\*) Term: **14 Years**

(21) Appl. No.: **29/259,011**

(22) Filed: **May 1, 2006**

(51) **LOC (8) Cl.** ..... **08-01**

(52) **U.S. Cl.** ..... **D8/7**

(58) **Field of Classification Search** ..... D8/1,  
D8/6, 7, 8; D15/28; 111/101; 172/22; 294/50.5  
See application file for complete search history.

(56) **References Cited**

U.S. PATENT DOCUMENTS

127,150	A	*	5/1872	Cook	.....	111/101
565,745	A	*	8/1896	Harris	.....	111/101
1,692,436	A	*	11/1928	Deane	.....	111/101
2,014,311	A	*	9/1935	Council	.....	111/101
3,416,831	A	*	12/1968	Bishop et al.	.....	294/50.5
3,444,938	A	*	5/1969	Ballmann	.....	111/101
D251,698	S	*	5/1979	Bartholomew, Jr.	.....	D8/5
D253,390	S	*	11/1979	Bartholomew	.....	D8/7
4,209,903	A	*	7/1980	Owens	.....	30/302
4,659,127	A	*	4/1987	Hancovsky	.....	294/50.7
D302,512	S	*	8/1989	Slayton	.....	D8/7
4,884,638	A	*	12/1989	Hoffman	.....	172/22
D306,247	S	*	2/1990	Shields	.....	D8/8
5,338,078	A	*	8/1994	Basek	.....	294/50.5
D411,944	S	*	7/1999	Lanz	.....	D8/7
D423,889	S	*	5/2000	Heffner	.....	D8/1
6,386,294	B1	*	5/2002	Best	.....	172/22
6,662,879	B1	*	12/2003	Costa	.....	172/22
D511,947	S	*	11/2005	Green	.....	D8/7

\* cited by examiner

*Primary Examiner*—Holly H. Baynham  
*Assistant Examiner*—Sheryl Friedman  
(74) *Attorney, Agent, or Firm*—Keisling Pieper & Scott  
PLC; David B. Pieper; Trent C. Keisling

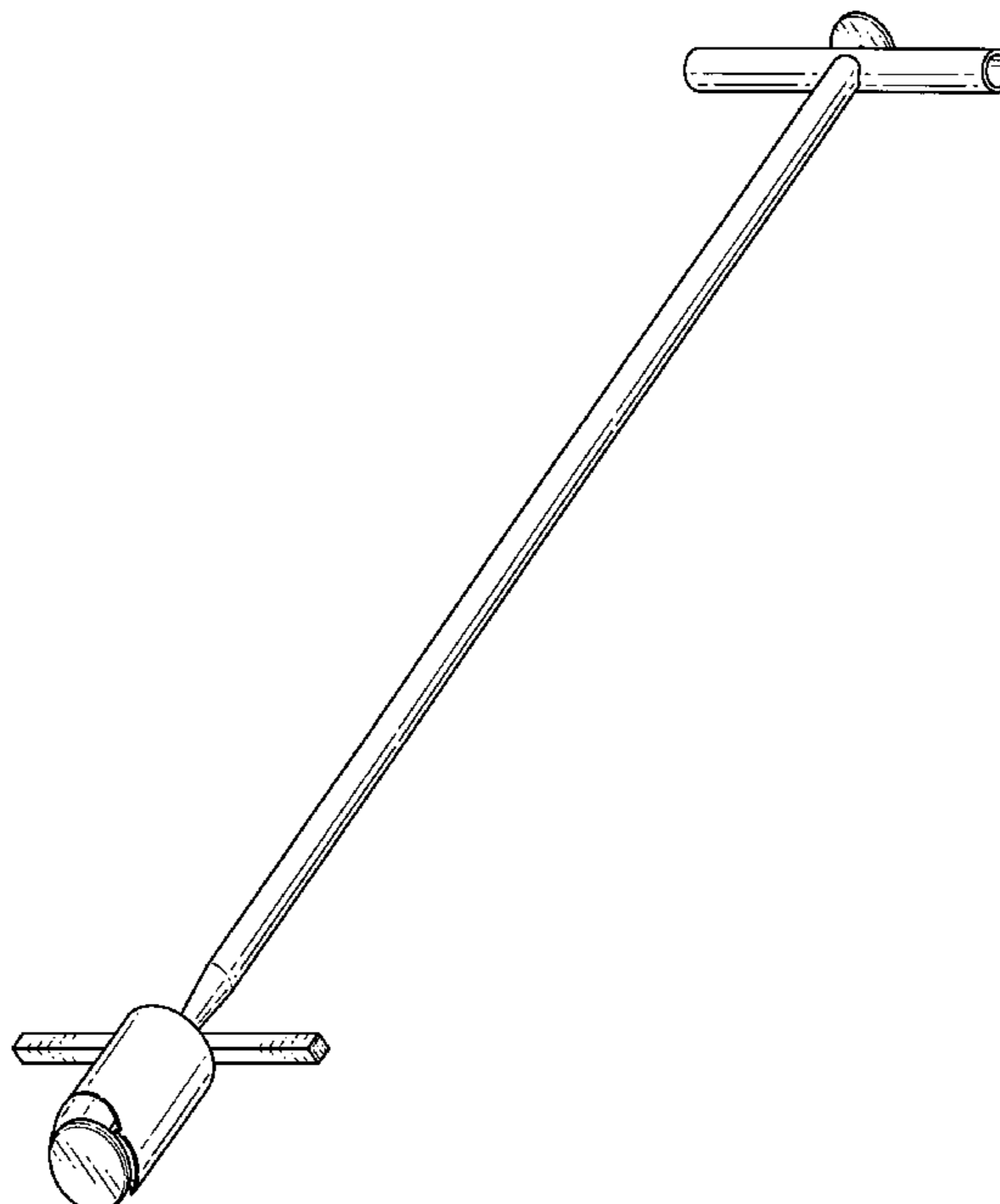
(57) **CLAIM**

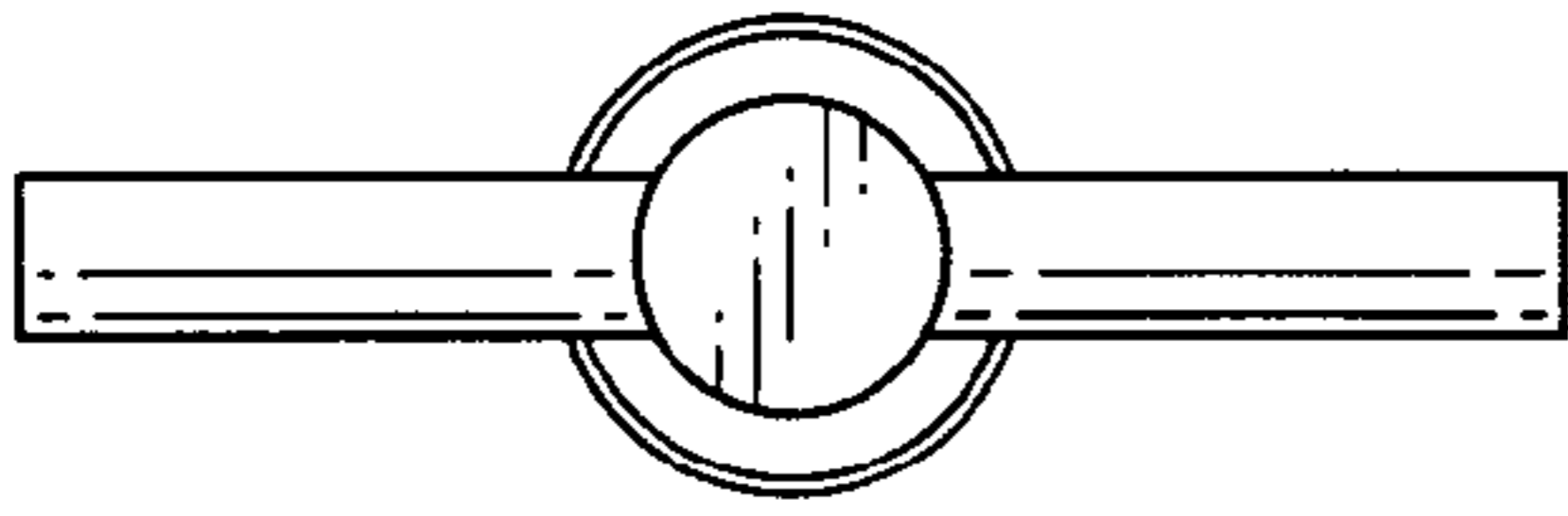
I claim the ornamental design for a plug cutter, as shown and described.

**DESCRIPTION**

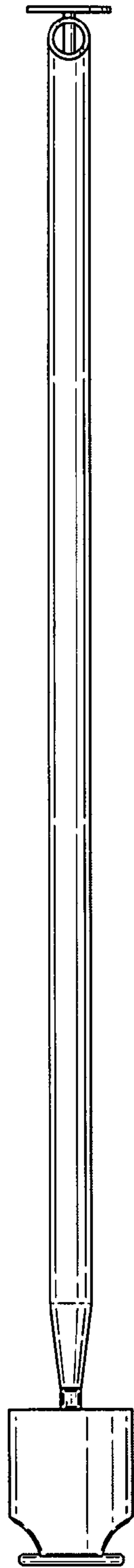
FIG. 1 is a top view of a plug cutter showing my new design with a round plunger handle visible at the center of the top of the plug cutter;  
FIG. 2 is a left side view thereof;  
FIG. 3 is a front view thereof;  
FIG. 4 is a right side view thereof;  
FIG. 5 is a back view thereof;  
FIG. 6 is a bottom view thereof;  
FIG. 7 is a right side view thereof showing the round plunger handle in a raised position;  
FIG. 8 is a front side view of FIG. 7;  
FIG. 9 is a bottom front isometric view of the plug cutter with the lower round plunger handle position; and,  
FIG. 10 is a top front isometric view of the plug cutter with the lower round plunger handle position.

**1 Claim, 5 Drawing Sheets**

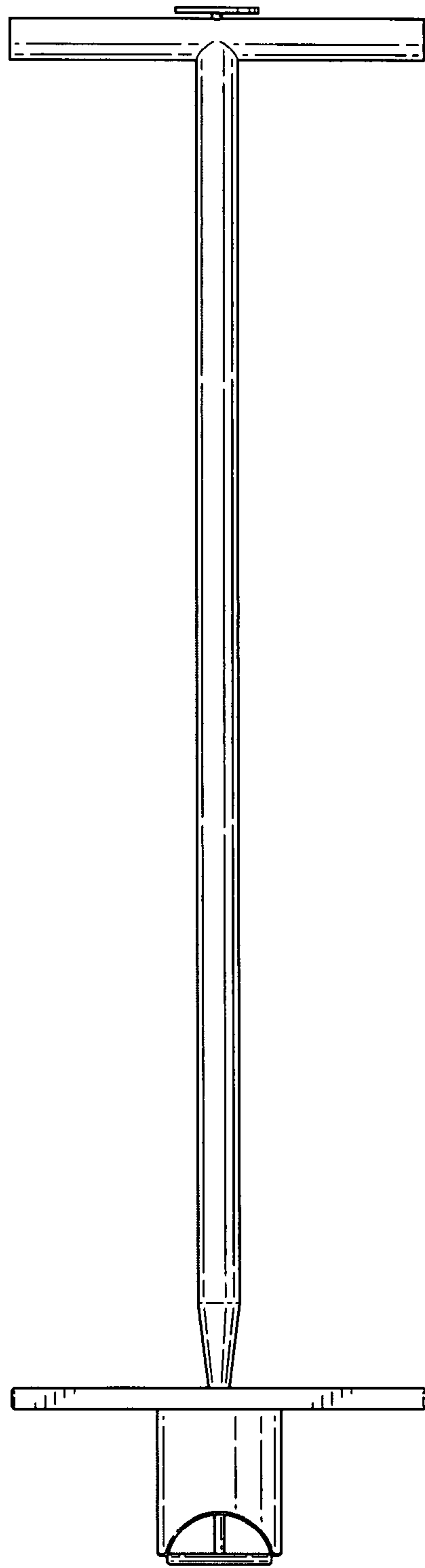




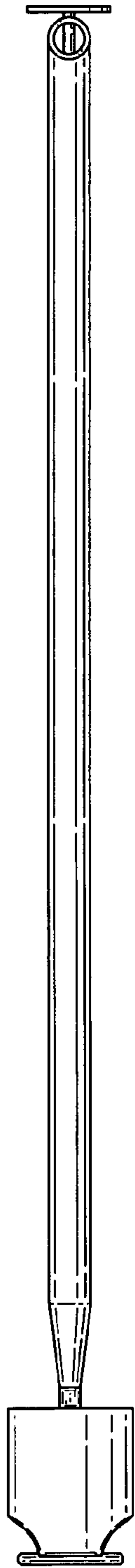
**FIG. 1**



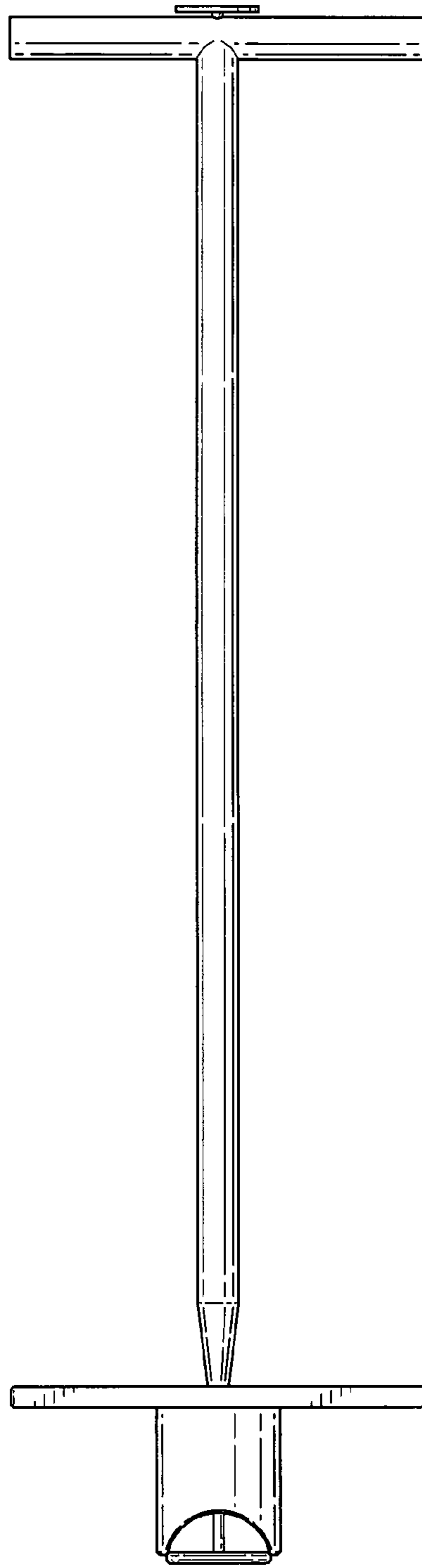
**FIG. 2**



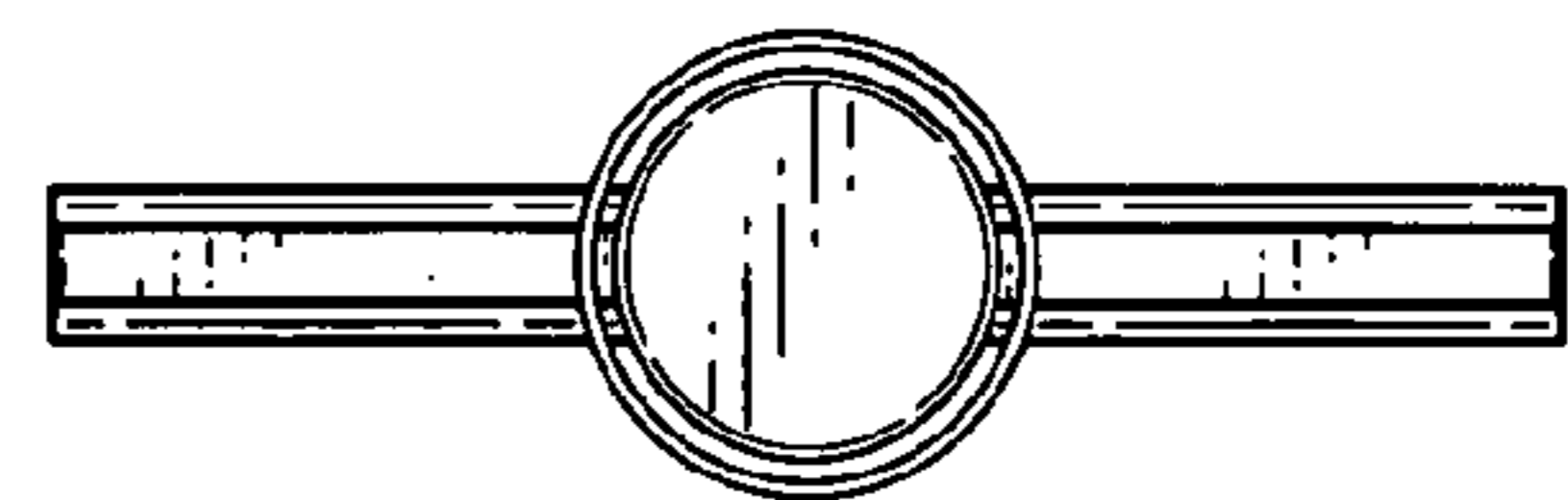
**FIG. 3**



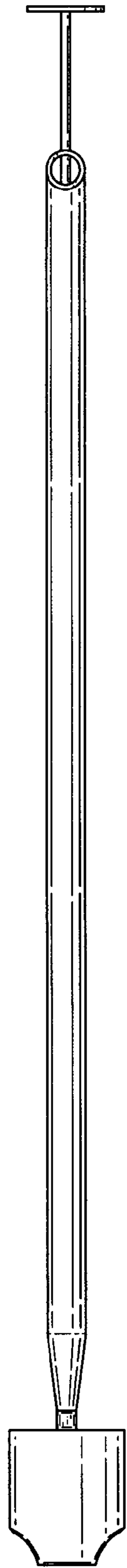
**FIG. 4**



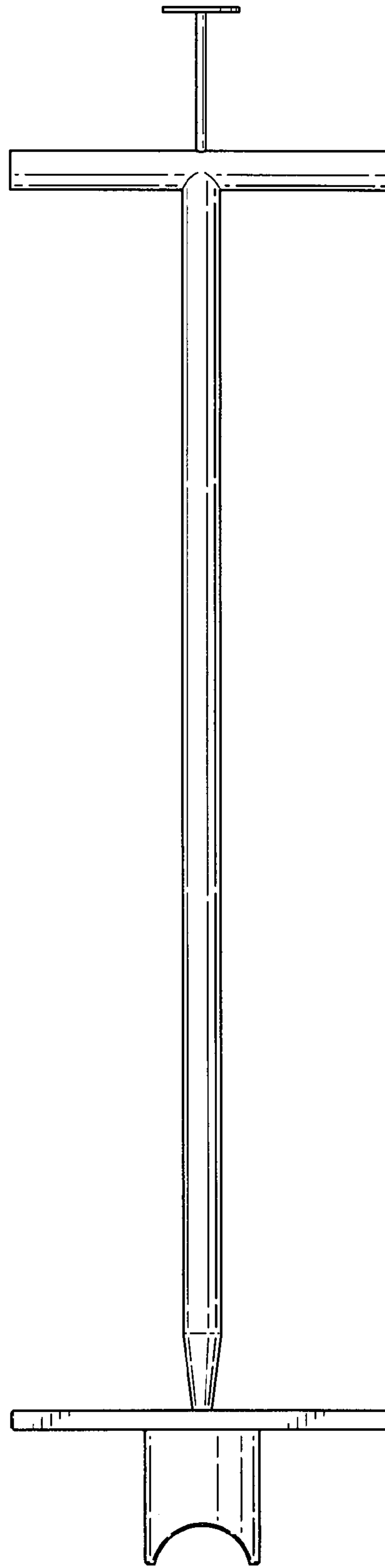
**FIG. 5**



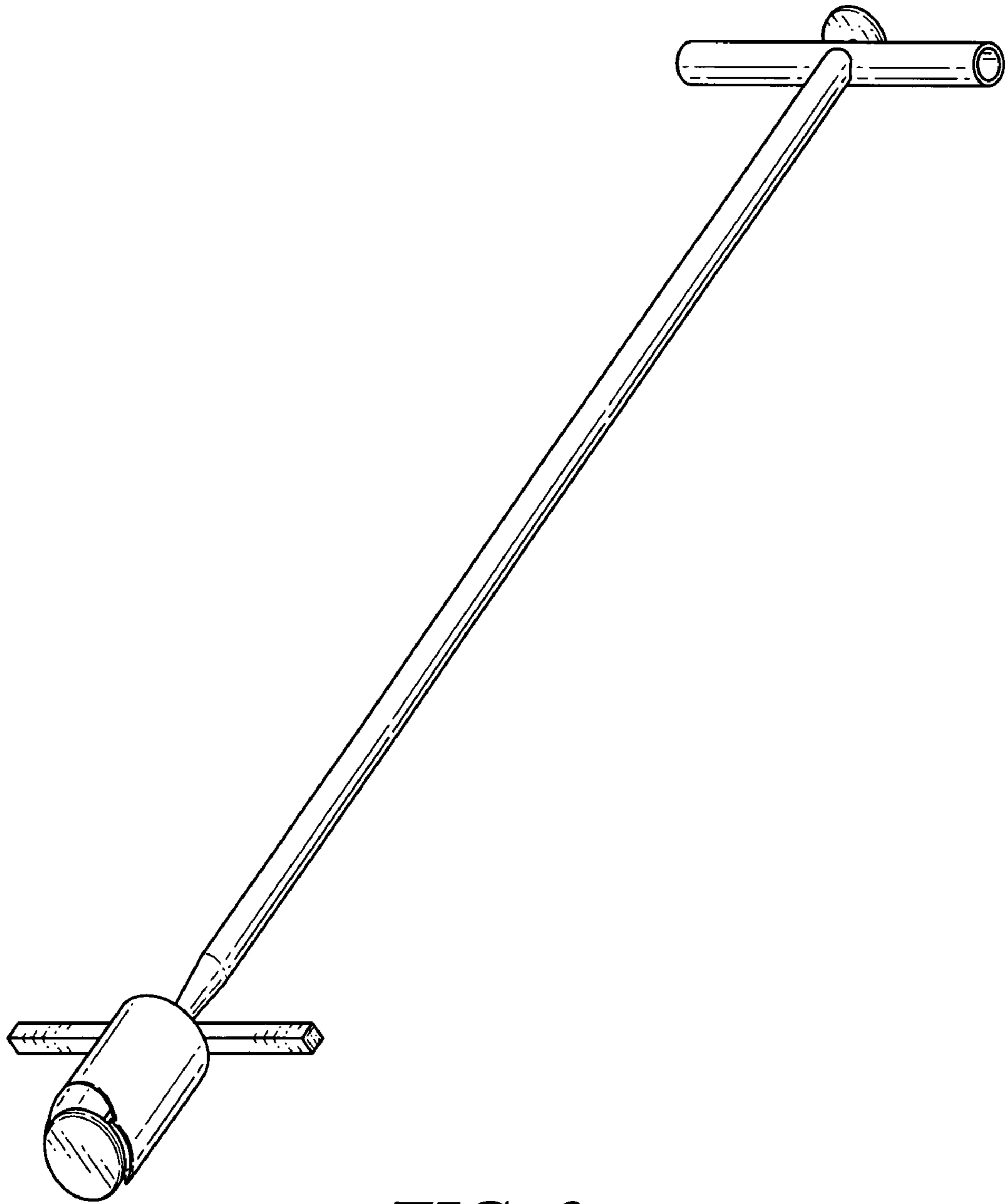
**FIG. 6**



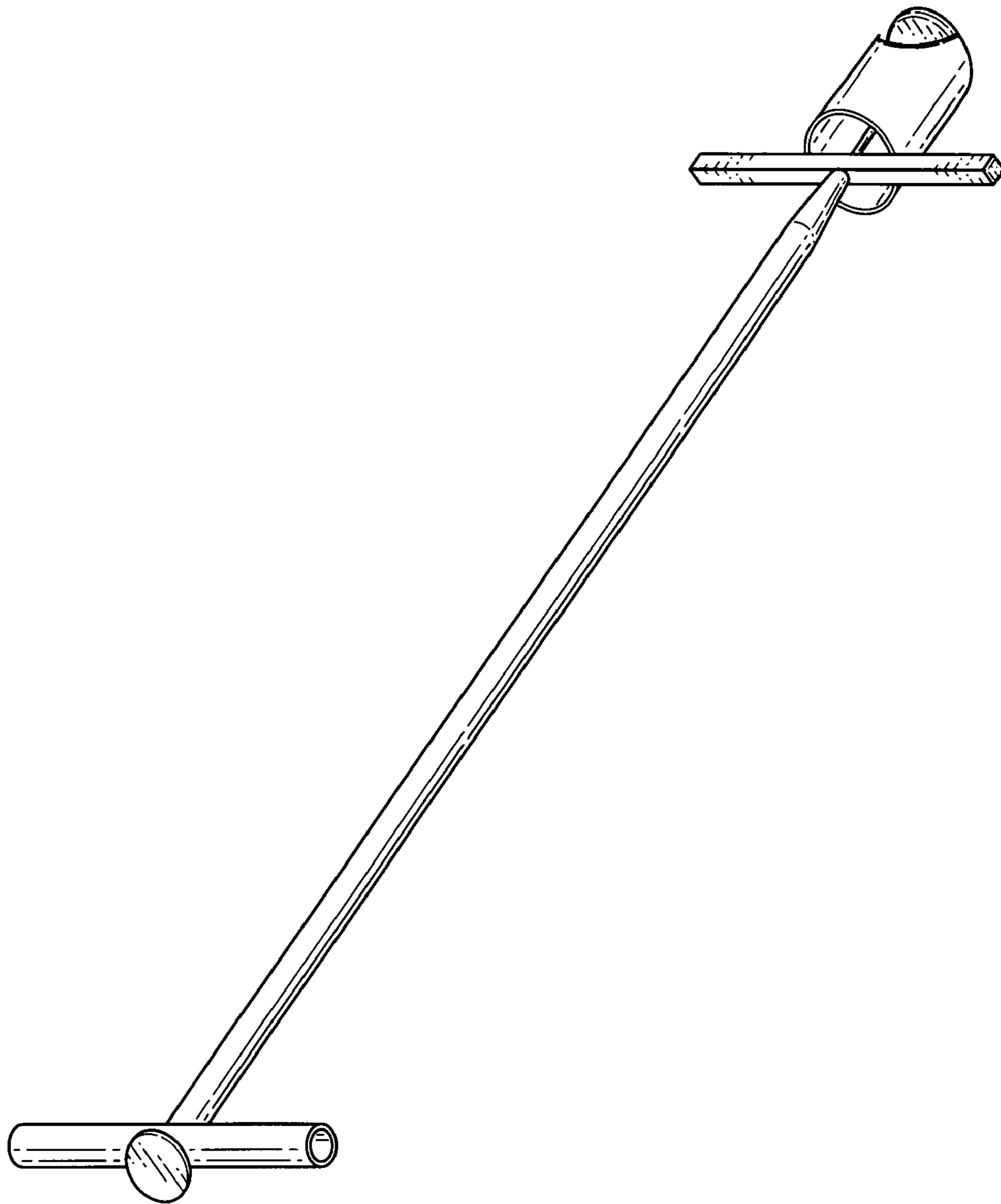
**FIG. 7**



**FIG. 8**



**FIG. 9**



*FIG. 10*