

US00D560979S

(12) **United States Design Patent**
Peterson

(10) **Patent No.:** **US D560,979 S**

(45) **Date of Patent:** **** Feb. 5, 2008**

(54) **CUP HOLDER**

(75) Inventor: **Larry A. Peterson**, Gig Harbor, WA
(US)

(73) Assignee: **Travel Chair Company**, Gig Harbor,
WA (US)

(**) Term: **14 Years**

(21) Appl. No.: **29/276,067**

(22) Filed: **Jan. 12, 2007**

(51) **LOC (8) Cl.** **06-04**

(52) **U.S. Cl.** **D7/620**

(58) **Field of Classification Search** D7/619.1-625;
D12/415, 416, 419-421, 317; 211/71.01,
211/74, 75; 220/737; 248/309.1, 311.2,
248/315; 224/545, 555, 557

See application file for complete search history.

(56) **References Cited**

U.S. PATENT DOCUMENTS

D292,445 S *	10/1987	Judge	D12/420
5,022,626 A *	6/1991	Nozel et al.	248/311.2
5,257,765 A *	11/1993	Halle	248/222.13
D342,871 S *	1/1994	Stern et al.	D7/620
D383,362 S *	9/1997	Ayotte et al.	D7/620
6,705,579 B2 *	3/2004	Yamada	248/311.2

* cited by examiner

Primary Examiner—Terry A Wallace

(74) *Attorney, Agent, or Firm*—Christensen O'Connor
Johnson Kindness PLLC

(57) **CLAIM**

The ornamental design for a cup holder, as shown and
described.

DESCRIPTION

FIG. 1 is a perspective view of a cup holder showing my new
design;

FIG. 2 is a top plan view of the cup holder shown in FIG.
1;

FIG. 3 is a bottom plan view of the cup holder shown in FIG.
1;

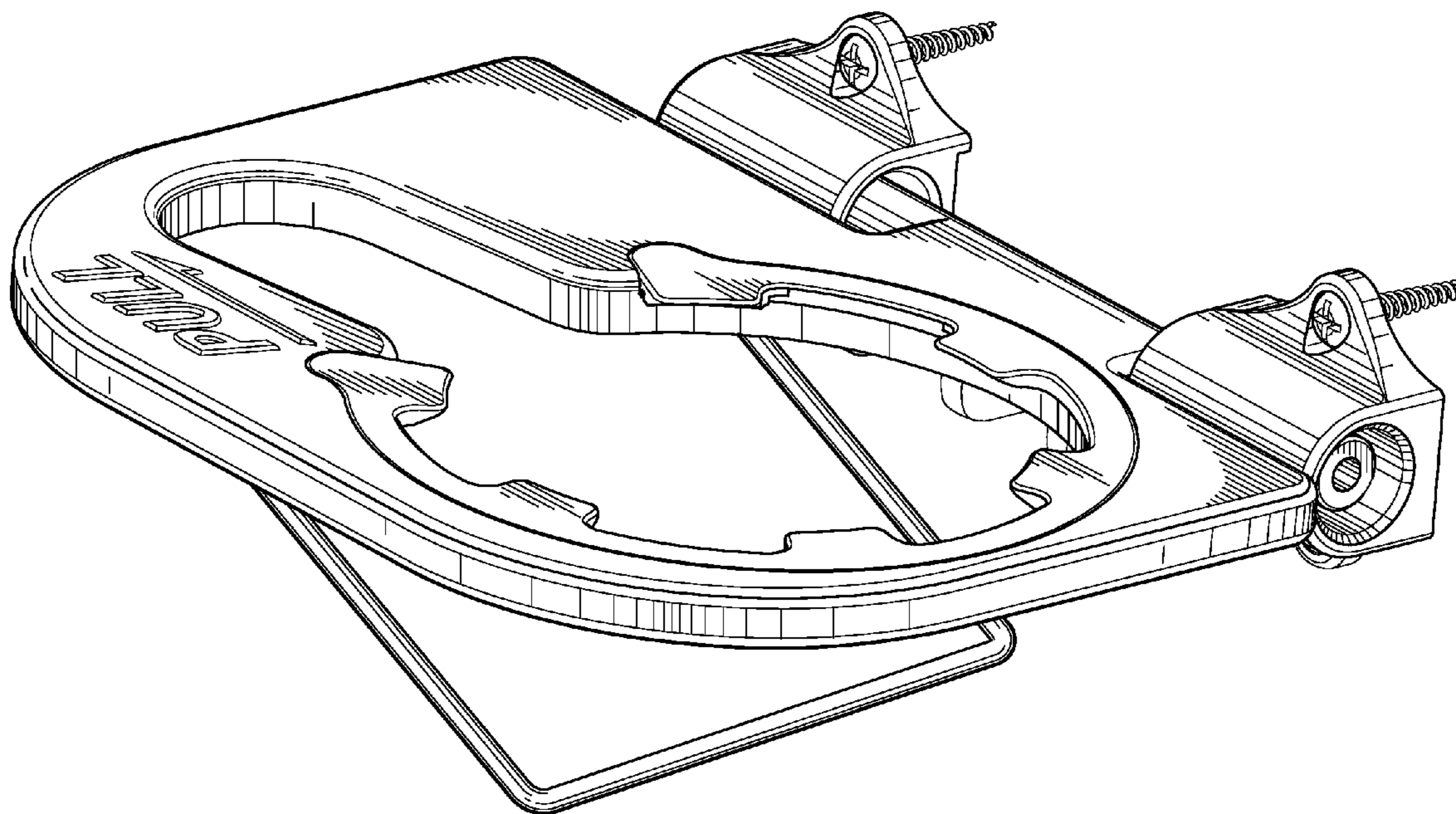
FIG. 4 is a rear elevation view of the cup holder shown in
FIG. 1;

FIG. 5 is a front elevation view of the cup holder shown in
FIG. 1;

FIG. 6 is a right side elevation view of the cup holder shown
in FIG. 1; and,

FIG. 7 is a left side elevation view of the cup holder shown
in FIG. 1.

1 Claim, 3 Drawing Sheets



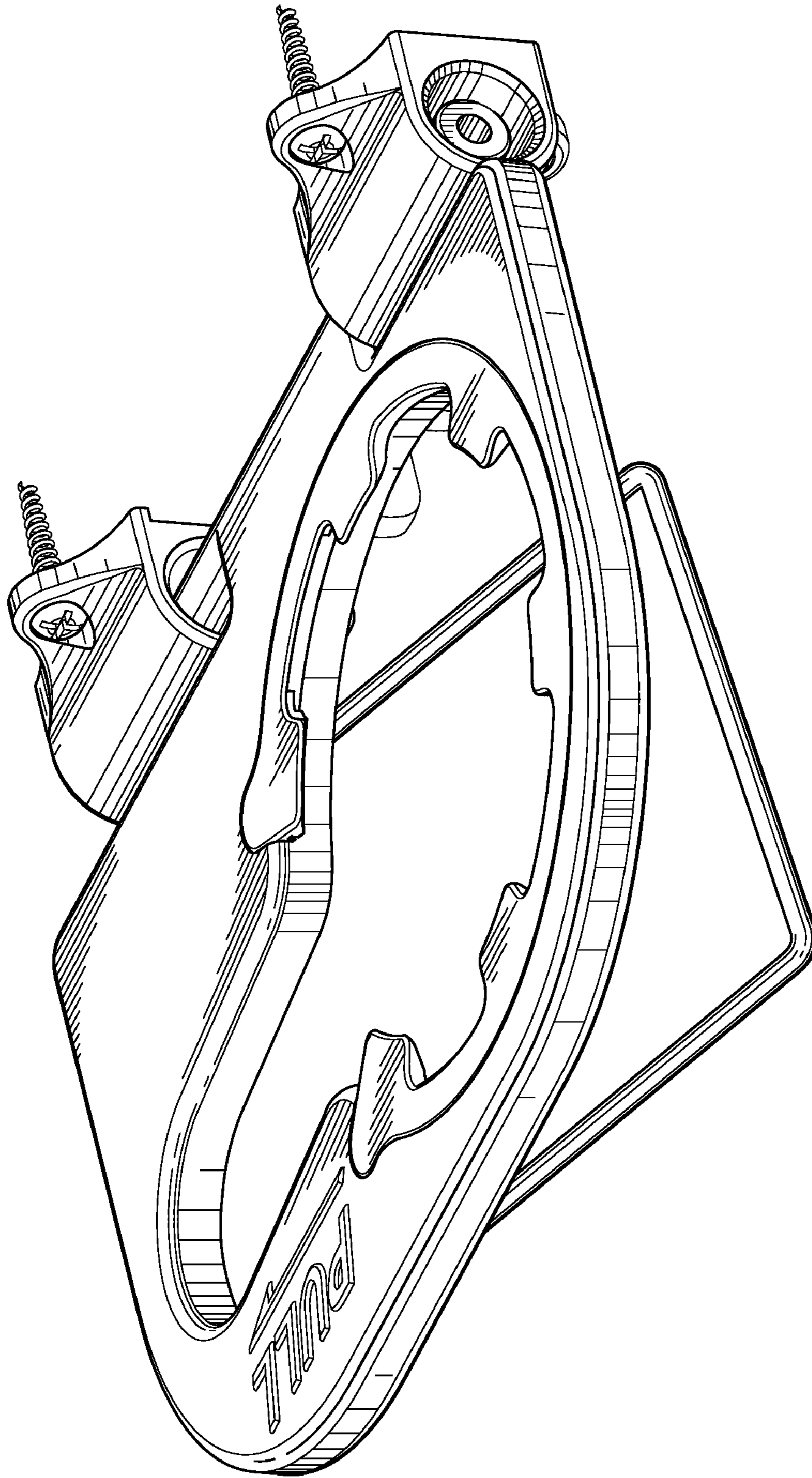


Fig. 1.

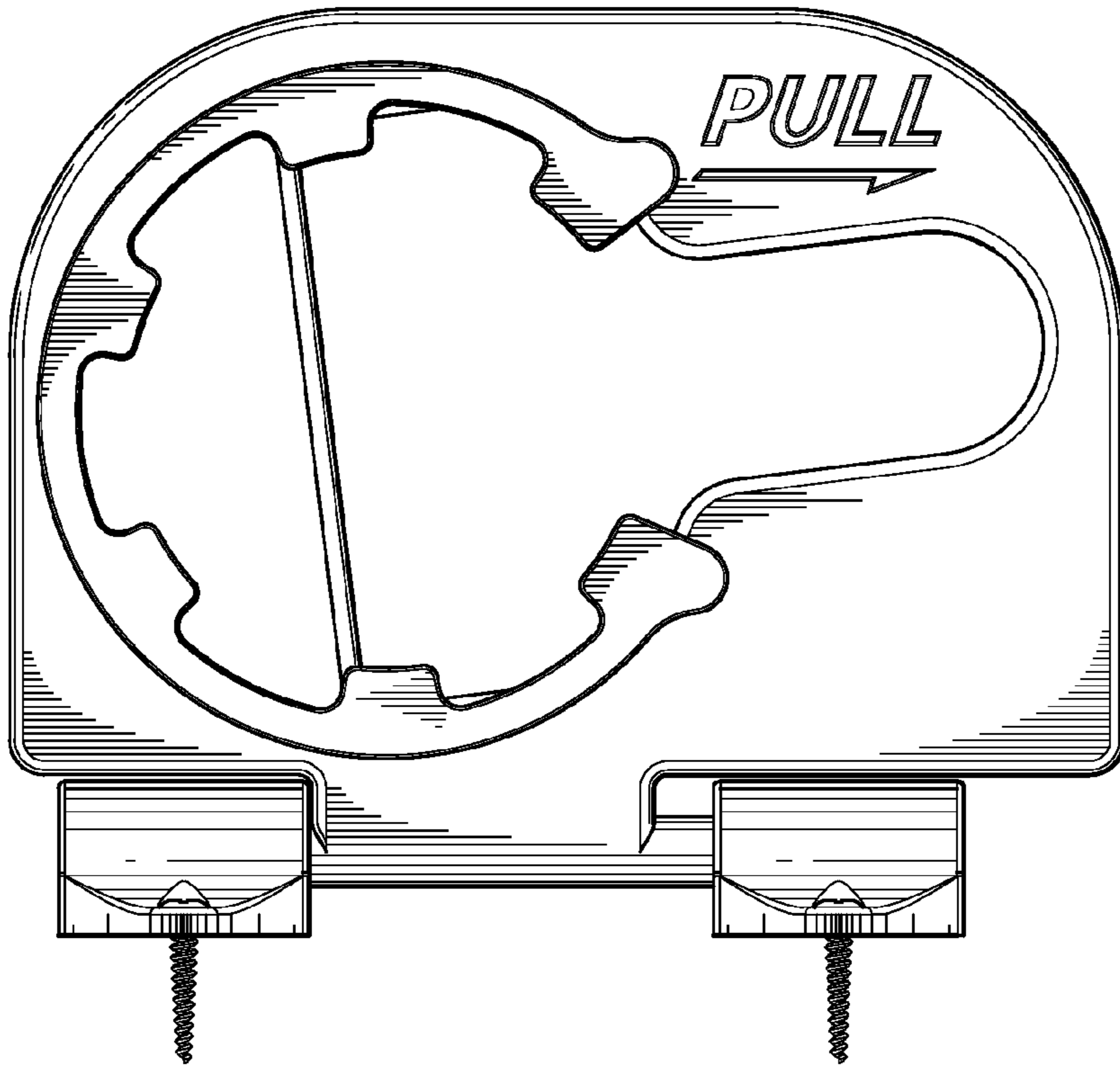


Fig. 2.

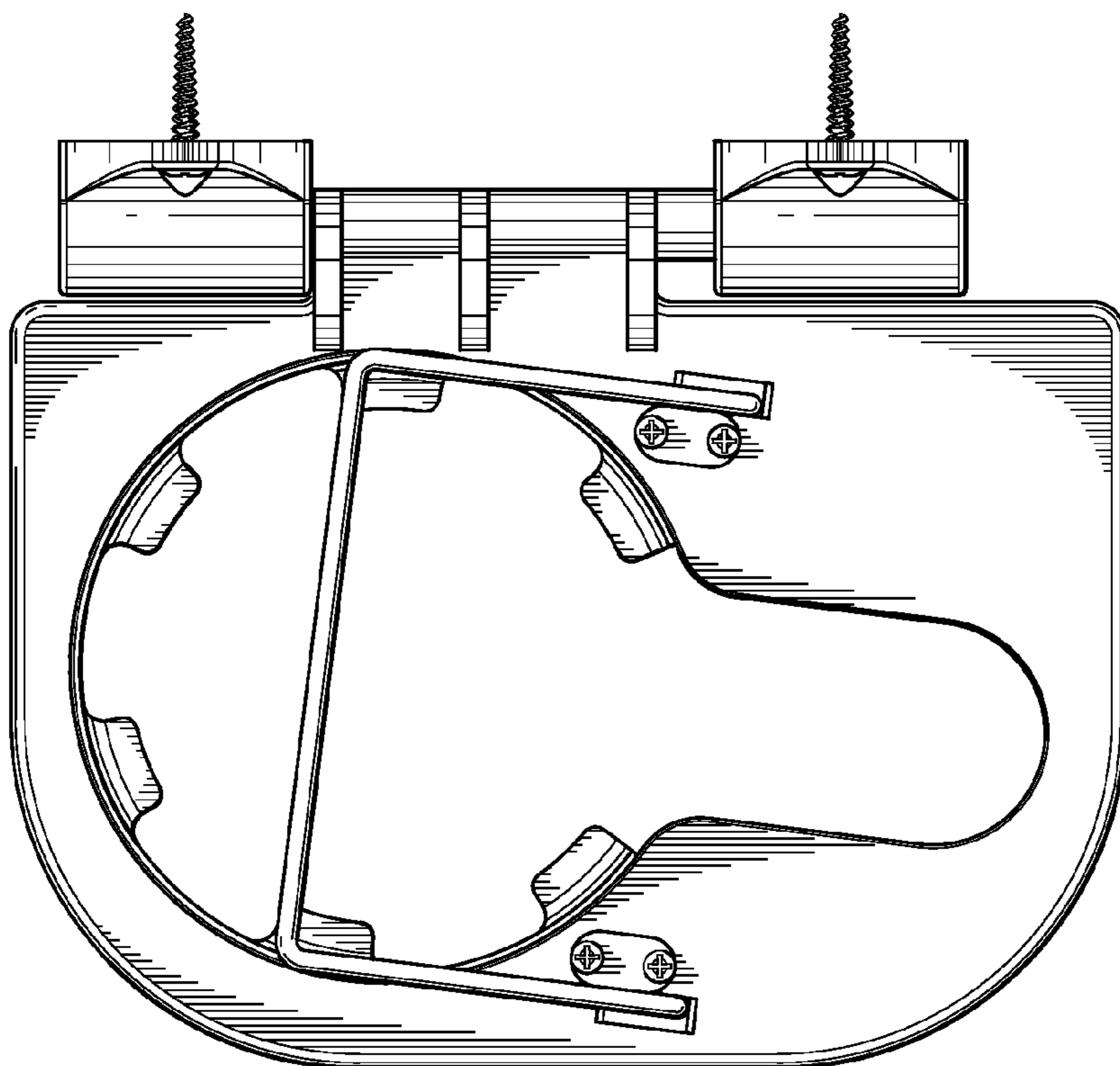


Fig. 3.

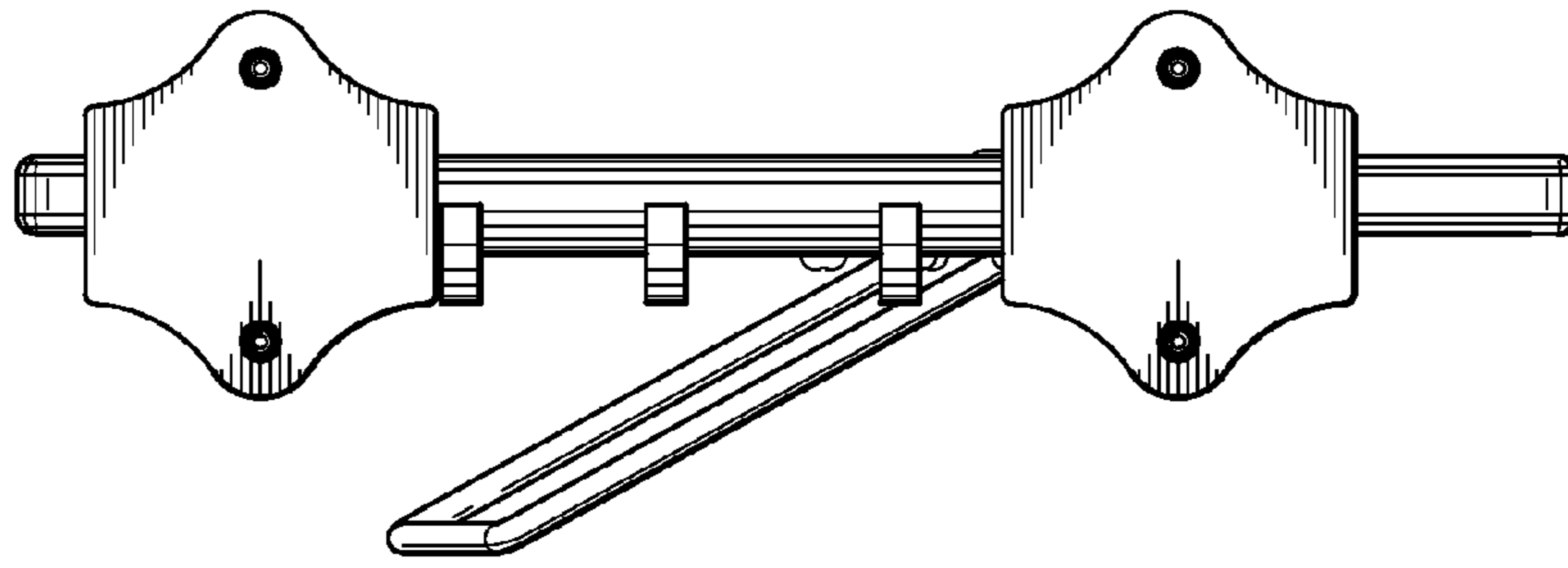


Fig. 4.

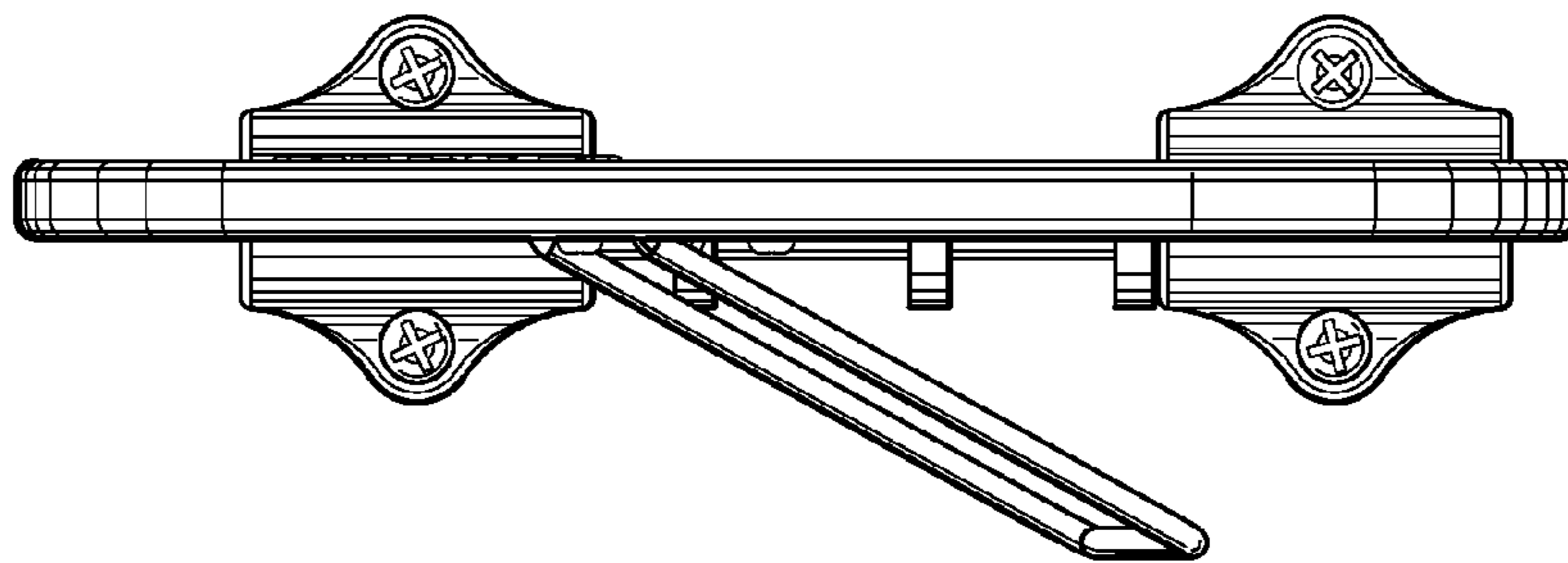


Fig. 5.

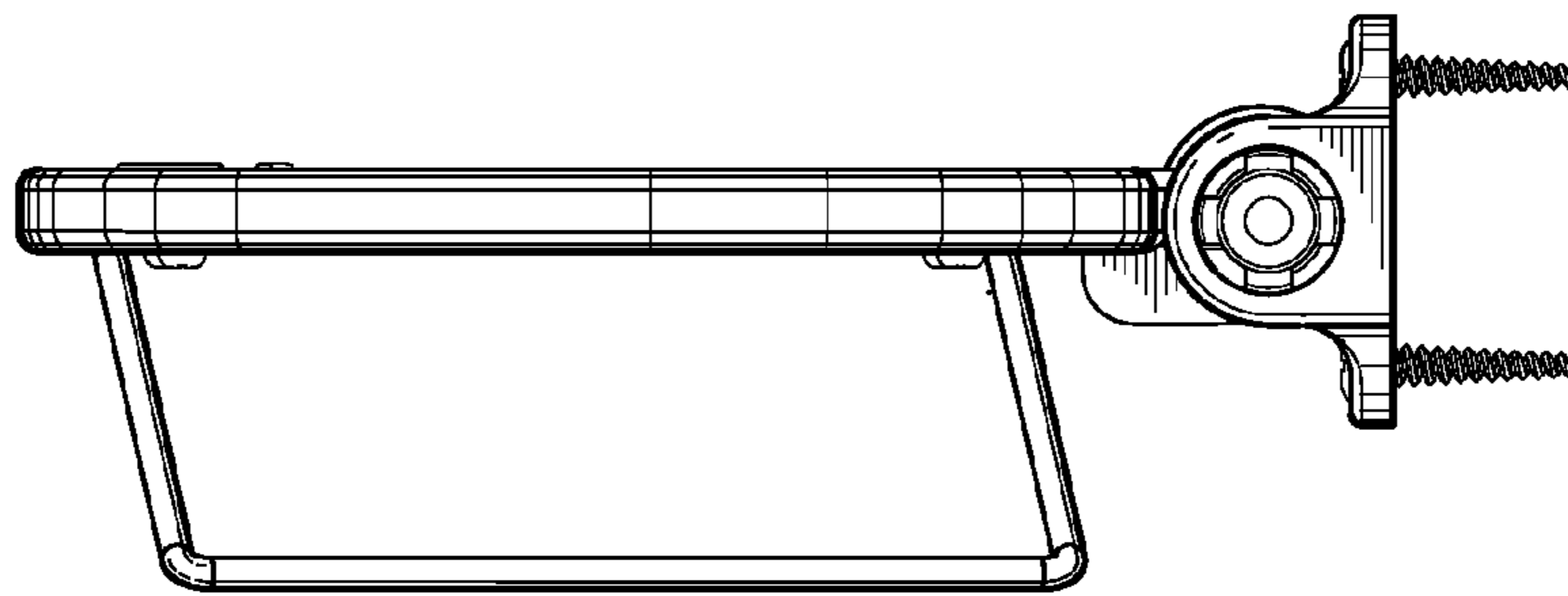


Fig. 6.

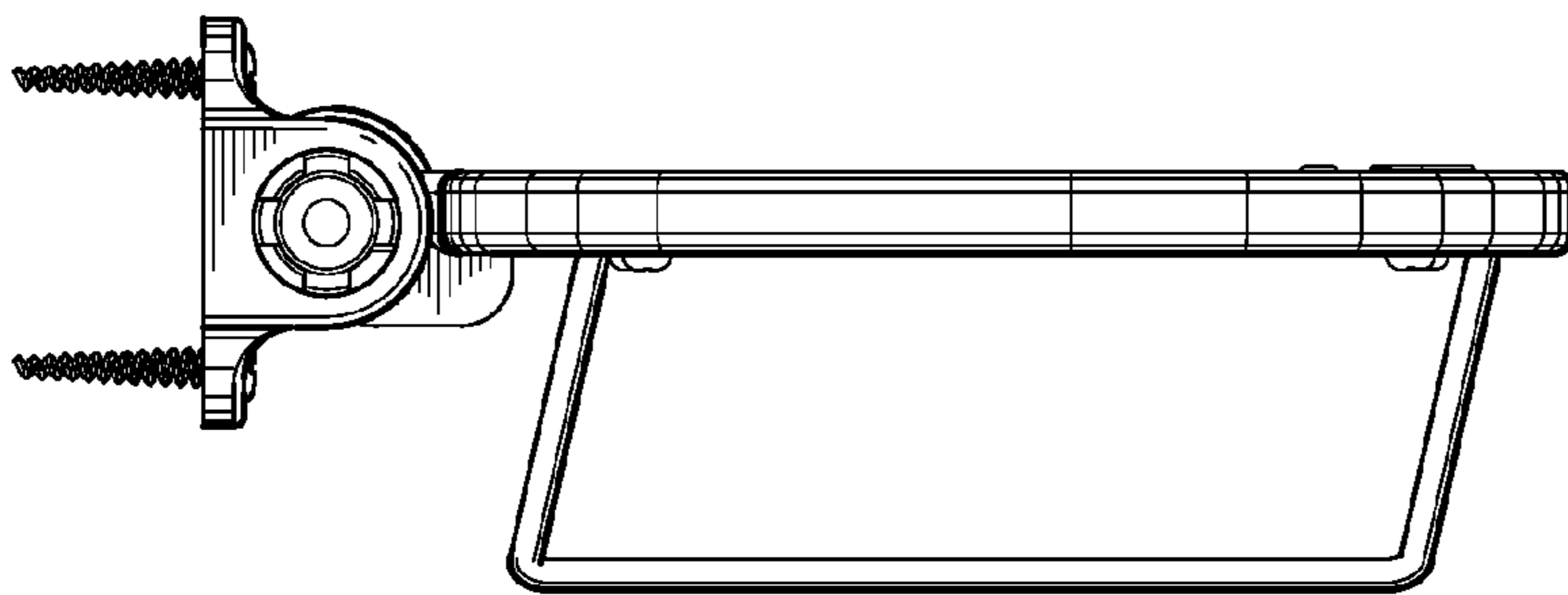


Fig. 7.