



US00D560978S

(12) **United States Design Patent**
Daams

(10) **Patent No.:** **US D560,978 S**

(45) **Date of Patent:** **** Feb. 5, 2008**

(54) **BREAD BIN**

(75) **Inventor:** **Rudolphus Cornelius Henricus Daams**, Eindhoven (NL)

(73) **Assignee:** **Brabantia Nederland B.V.**, Waalre (NL)

(**) **Term:** **14 Years**

(21) **Appl. No.:** **29/276,800**

(22) **Filed:** **Feb. 6, 2007**

(51) **LOC (8) Cl.** **07-07**

(52) **U.S. Cl.** **D7/609**

(58) **Field of Classification Search** D7/609,
D7/612-615, 590, 629, 538-542; D3/272,
D3/273, 294; D9/430-432; 220/4.21, 4.22,
220/4.23, 675, 574-575, 662, 780-799; 312/284,
312/328, 199

See application file for complete search history.

(56) **References Cited**

U.S. PATENT DOCUMENTS

D169,121 S * 3/1953 Burroughs D7/609

2,736,452 A * 2/1956 Roop 220/4.21

5,433,140 A * 7/1995 Ogee 99/451

D484,752 S * 1/2004 Verbeek D7/609

6,707,009 B1 * 3/2004 Ancona et al. 219/386

* cited by examiner

Primary Examiner—Terry A Wallace

(57) **CLAIM**

The ornamental design for a bread bin, as shown and described.

DESCRIPTION

FIG. 1 is a top front left side perspective view of a bread bin showing my new design;

FIG. 2 is a right side elevational view thereof, with the left side being a mirror image thereof;

FIG. 3 is a top plan view thereof; and,

FIG. 4 is a front elevational view thereof.

1 Claim, 2 Drawing Sheets

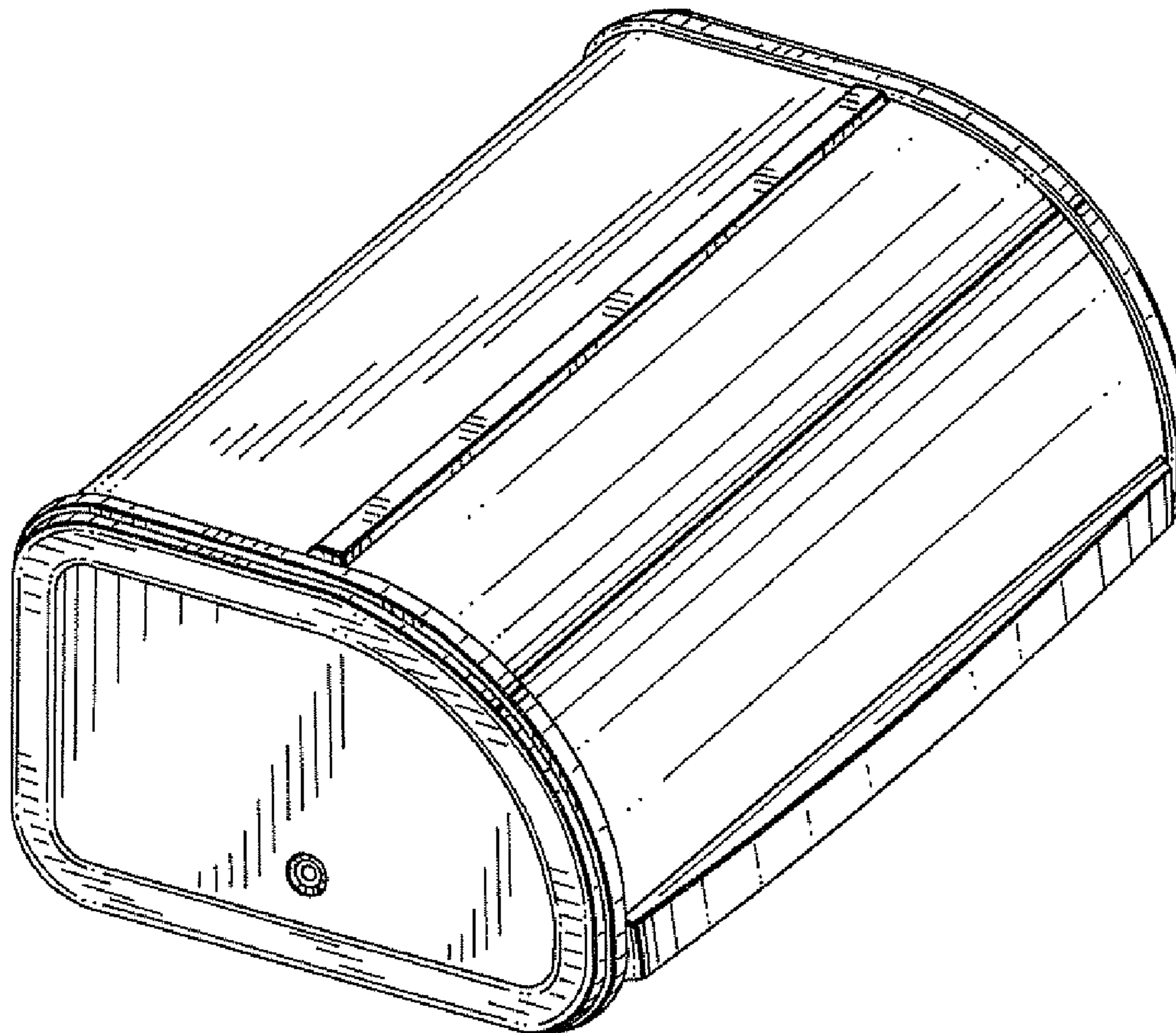


FIG. 1

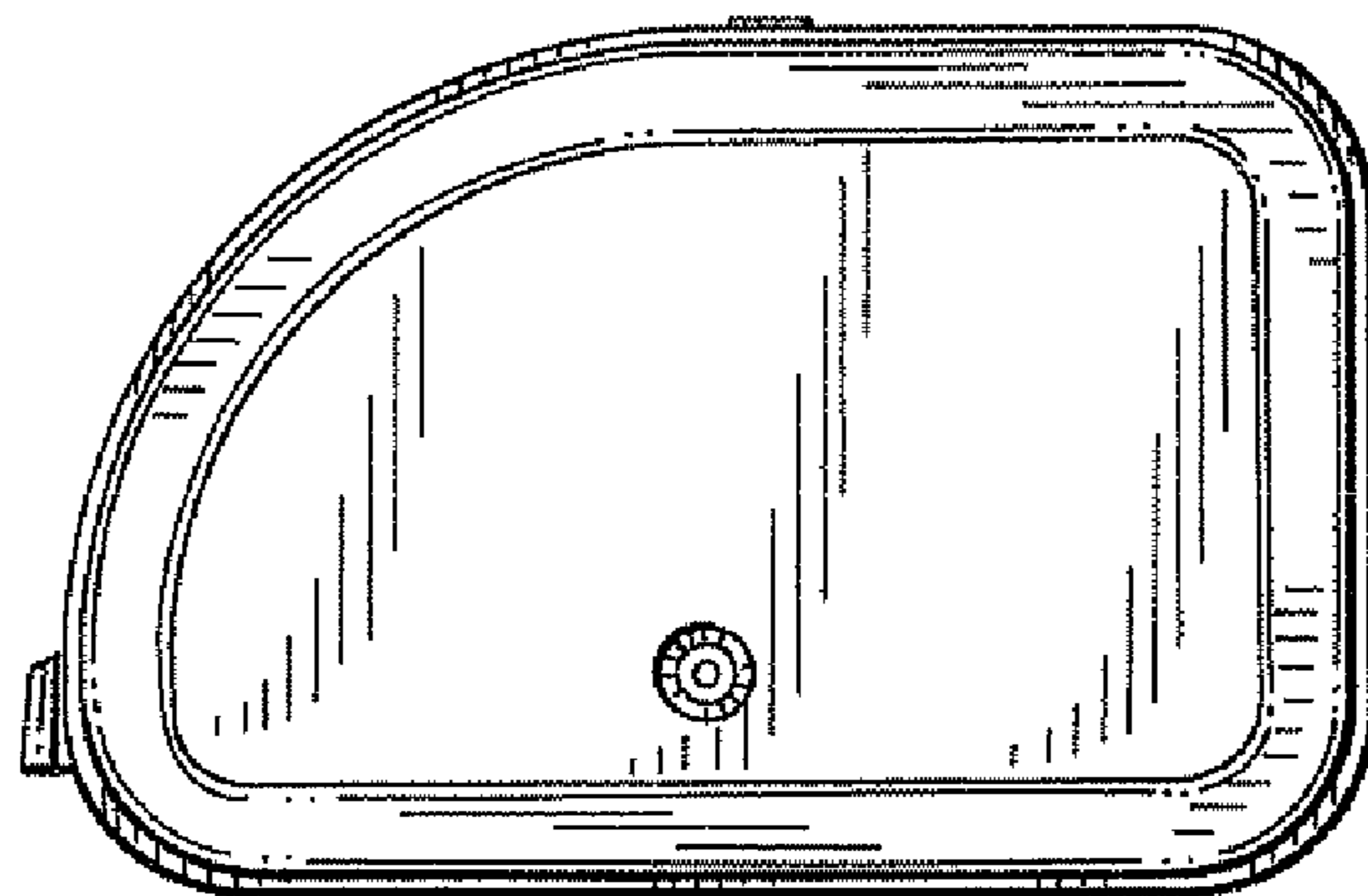
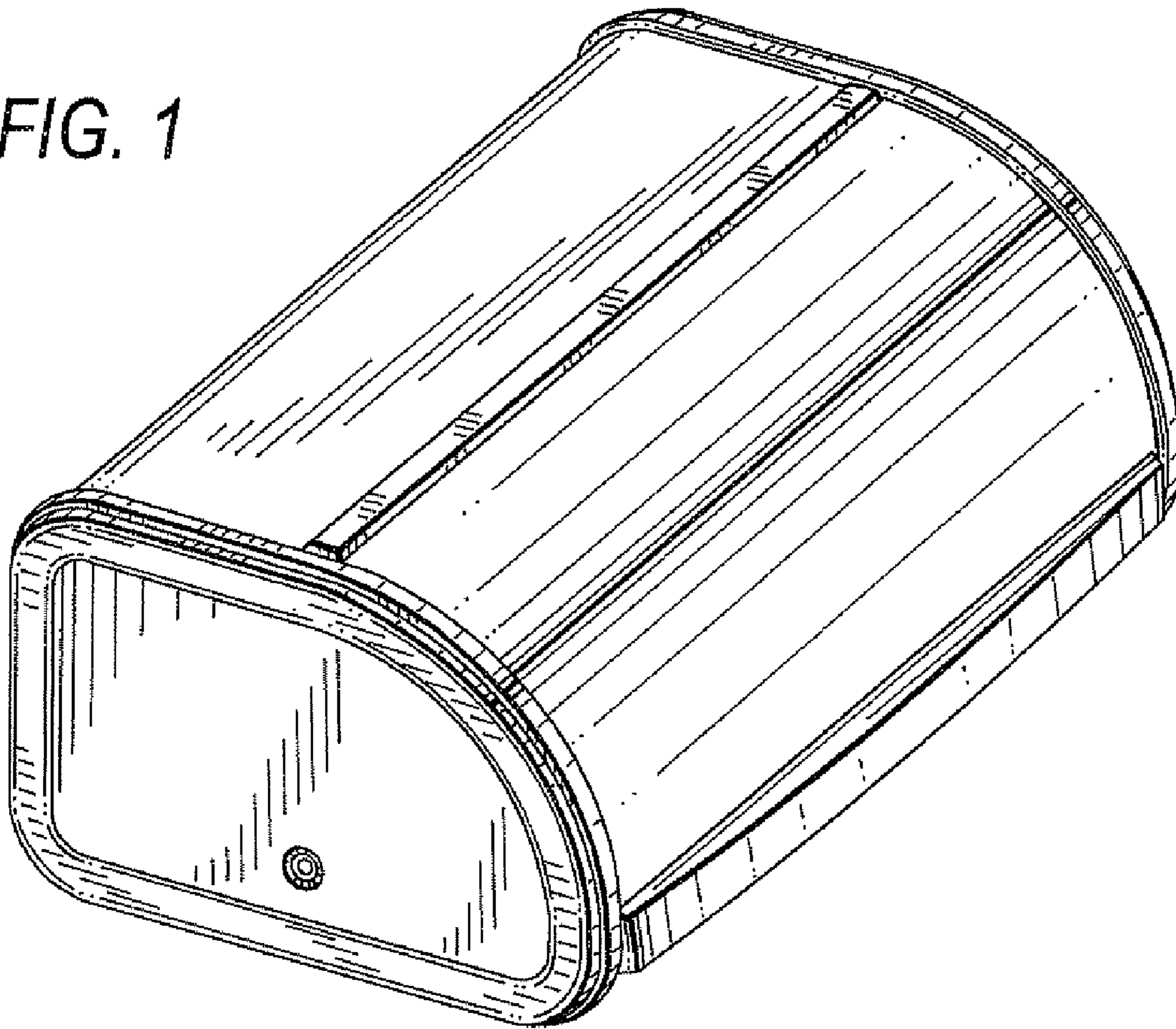


FIG. 2

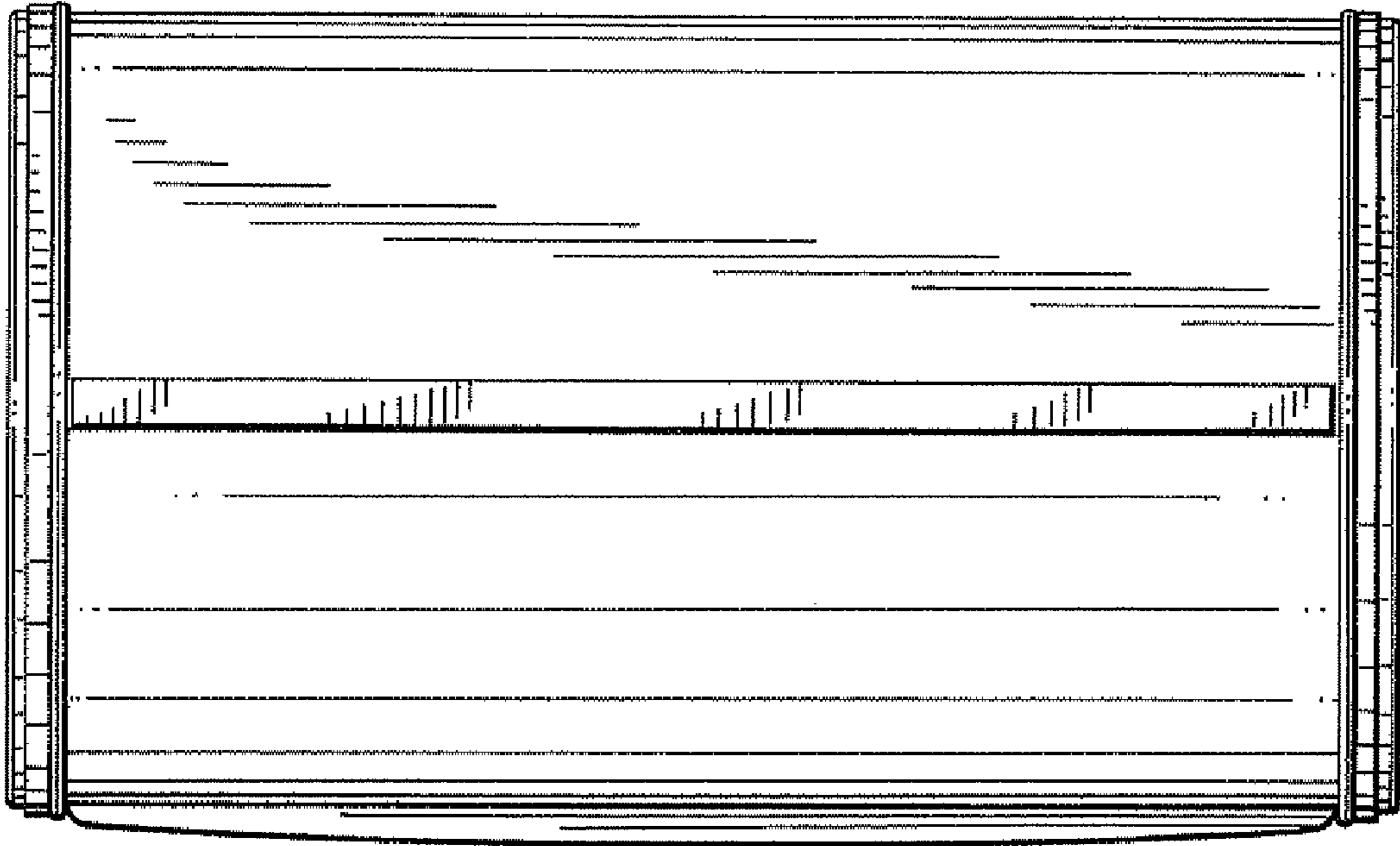


FIG. 3

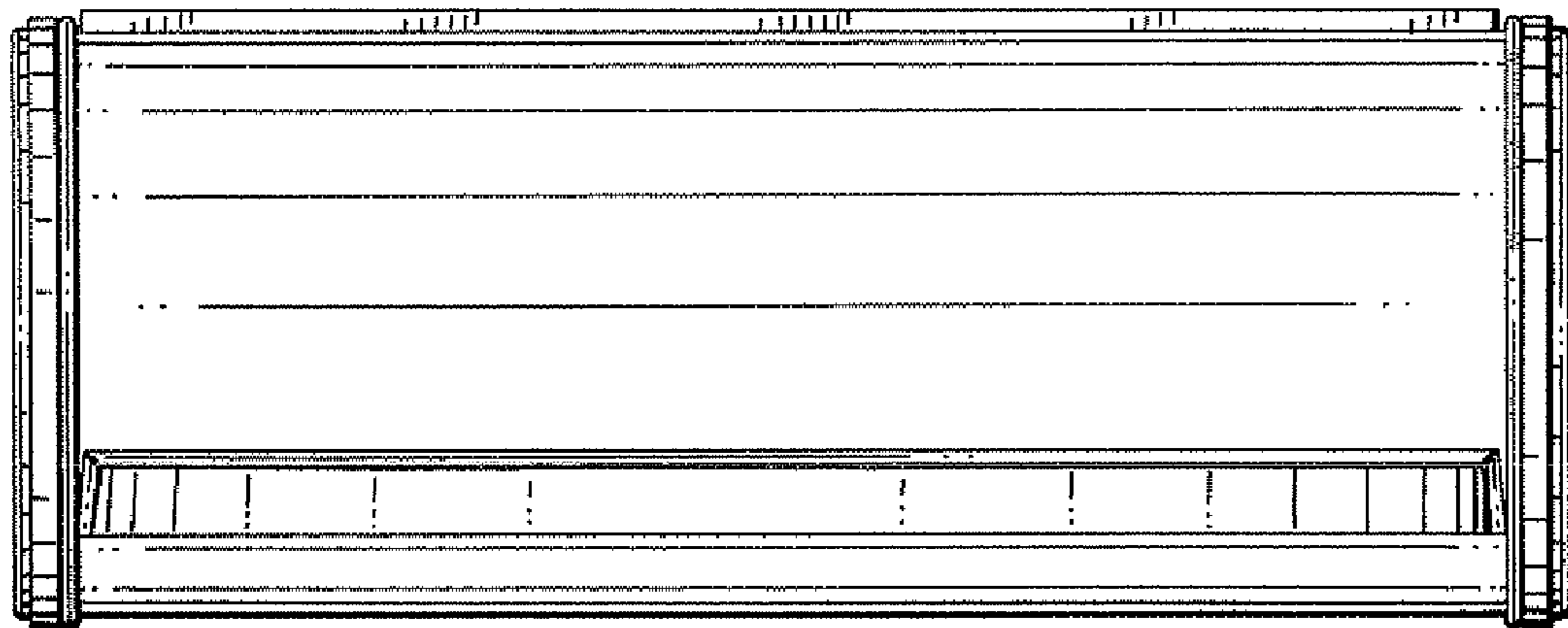


FIG. 4