



US00D560974S

(12) **United States Design Patent**
Goode et al.

(10) **Patent No.:** **US D560,974 S**

(45) **Date of Patent:** **** Feb. 5, 2008**

(54) **CUPCAKE STAND**

(75) Inventors: **Stephanie Goode**, Plainfield, IL (US);
Lynn Vendl, Woodridge, IL (US); **Lou Henry**, New York, NY (US)

(73) Assignee: **Wilton Industries, Inc.**, Woodridge, IL (US)

(**) Term: **14 Years**

(21) Appl. No.: **29/273,142**

(22) Filed: **Feb. 27, 2007**

(51) **LOC (8) Cl.** **07-01**

(52) **U.S. Cl.** **D7/558; D7/500**

(58) **Field of Classification Search** D7/500,
D7/501, 512, 523, 526, 554.1, 554.2, 558,
D7/560-562, 565, 570, 571, 584, 590-592,
D7/597, 600.4, 601, 602, 610, 707; D6/455,
D6/457, 460, 461, 474, 486; D19/25; 428/7;
108/20, 94, 101, 139; 211/18, 33, 128.1,
211/188; 297/DIG. 2; 312/204

See application file for complete search history.

(56) **References Cited**

U.S. PATENT DOCUMENTS

256,600 A * 4/1882 Schell 108/94
1,570,651 A * 1/1926 Topping et al. 108/94
1,782,257 A * 11/1930 Dumler 108/20

D149,046 S * 3/1948 Blumenthal D7/501
D285,029 S * 8/1986 Cooper D6/461
D297,191 S * 8/1988 Frieden, Jr. D6/461
D543,803 S * 6/2007 Henderson et al. D7/707

* cited by examiner

Primary Examiner—Philip S. Hyder

Assistant Examiner—Cynthia Underwood

(74) *Attorney, Agent, or Firm*—DLA Piper US LLP; R. Blake Johnston, Esq.

(57) **CLAIM**

The ornamental design for a cupcake stand, as shown.

DESCRIPTION

FIG. 1 is a side elevational view of the cupcake stand in a storage configuration;

FIG. 2 is a sectional view of the cupcake stand of FIG. 1 taken along line 2—2;

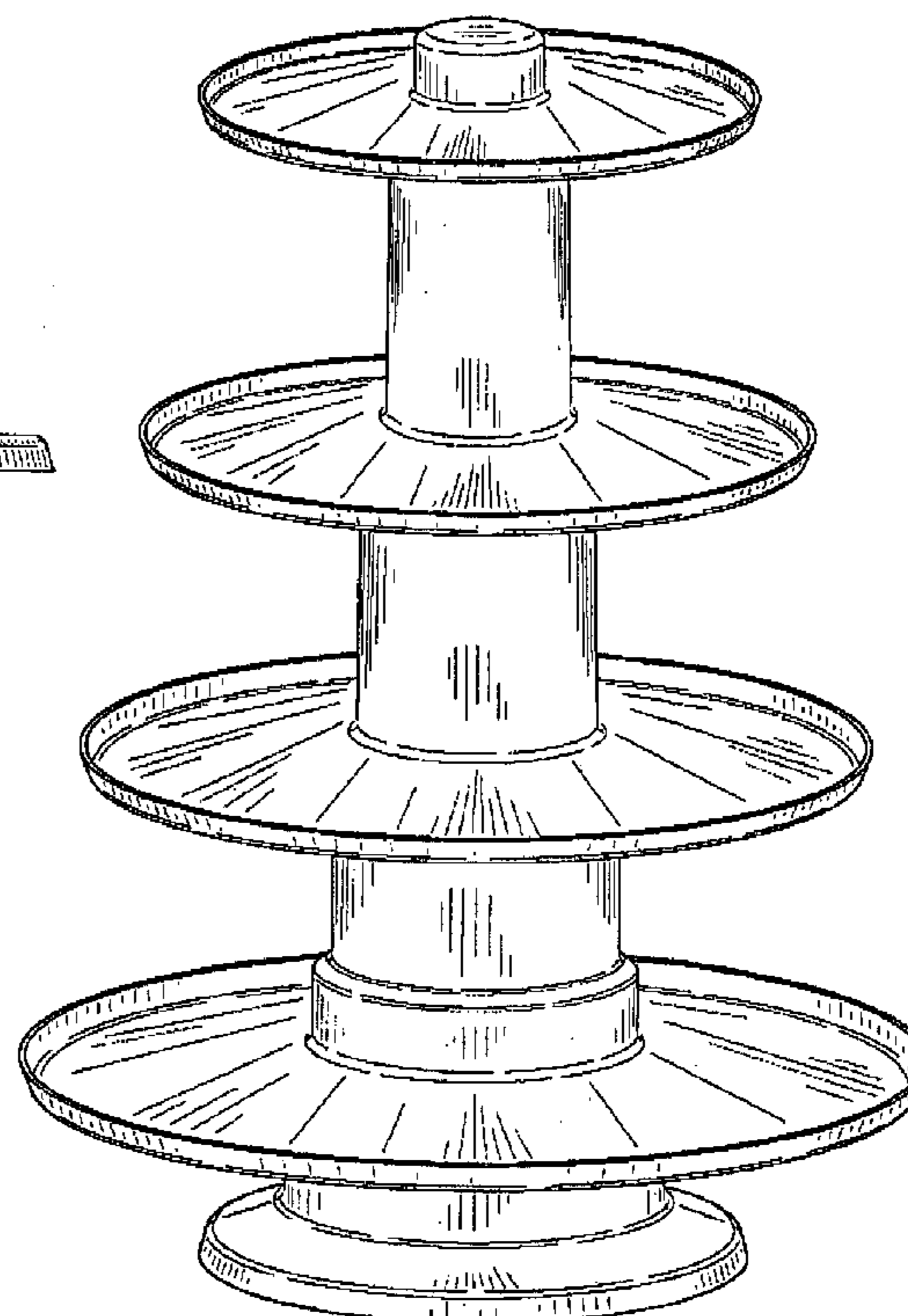
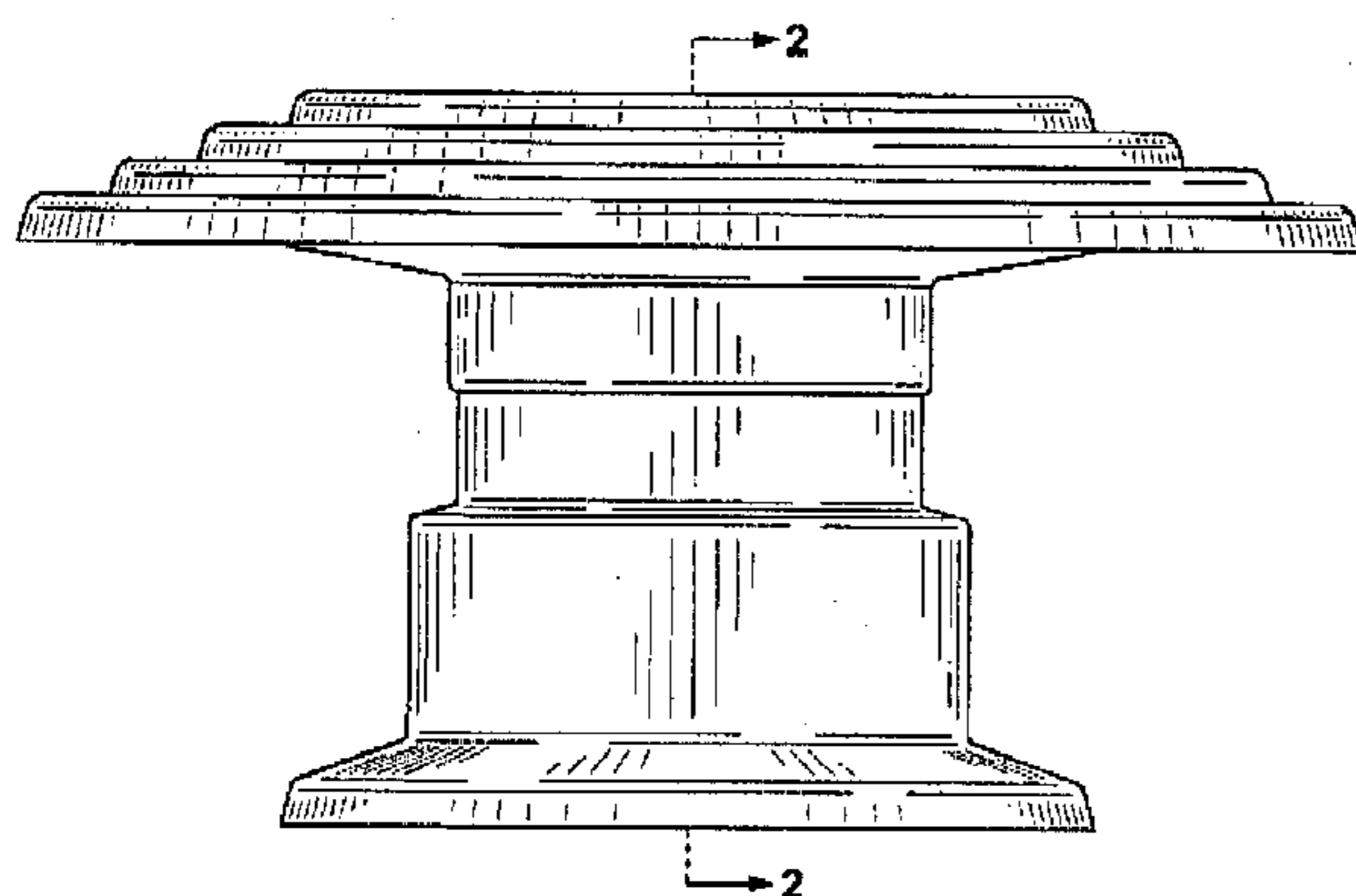
FIG. 3 is a side elevational view of the cupcake stand in a use configuration;

FIG. 4 is a perspective view of the cupcake stand in the use configuration;

FIG. 5 is a top plan view of the cupcake stand in the use configuration; and,

FIG. 6 is a bottom plan view of the cupcake stand in the use configuration.

1 Claim, 4 Drawing Sheets



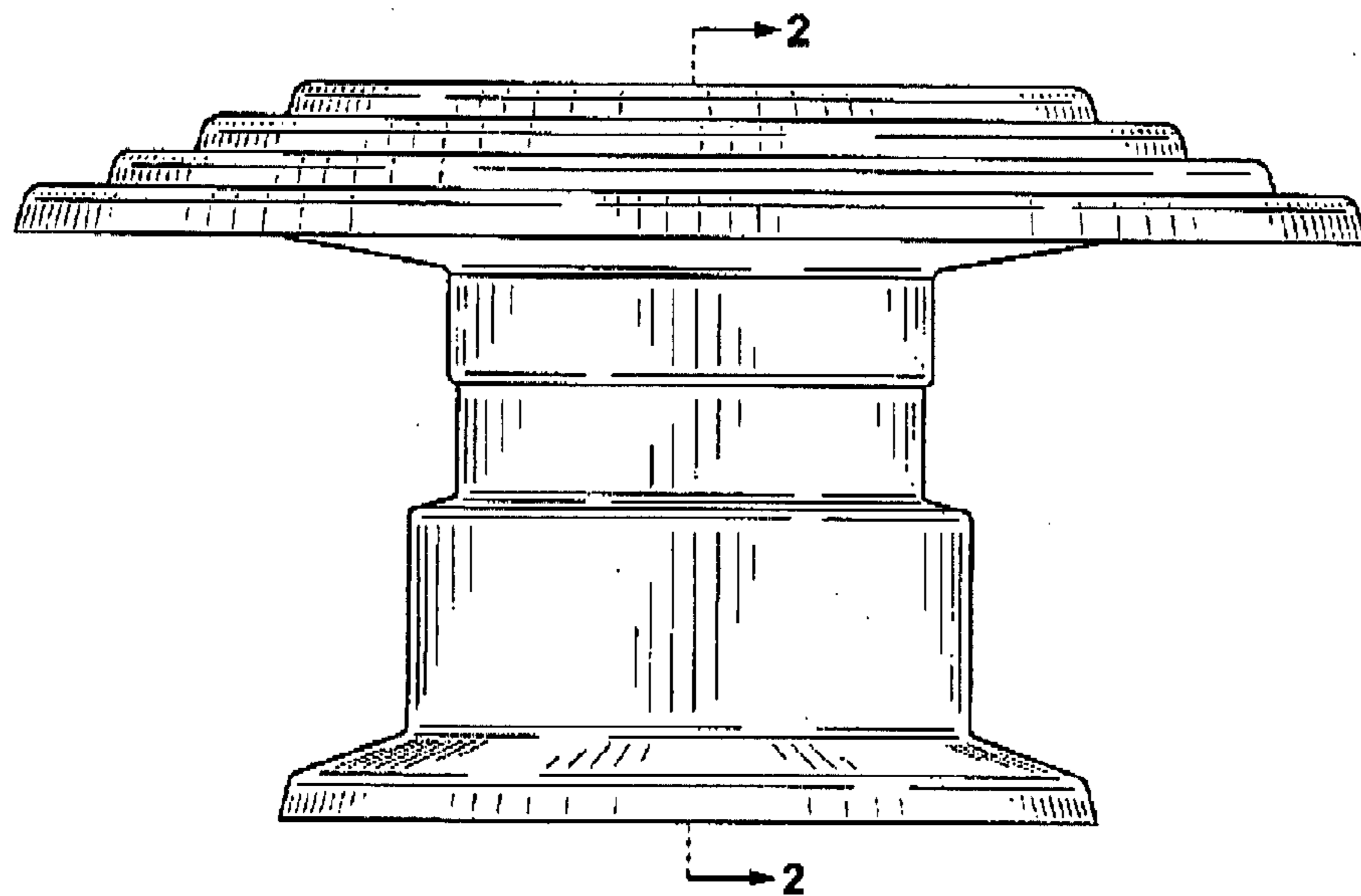


FIG. 1

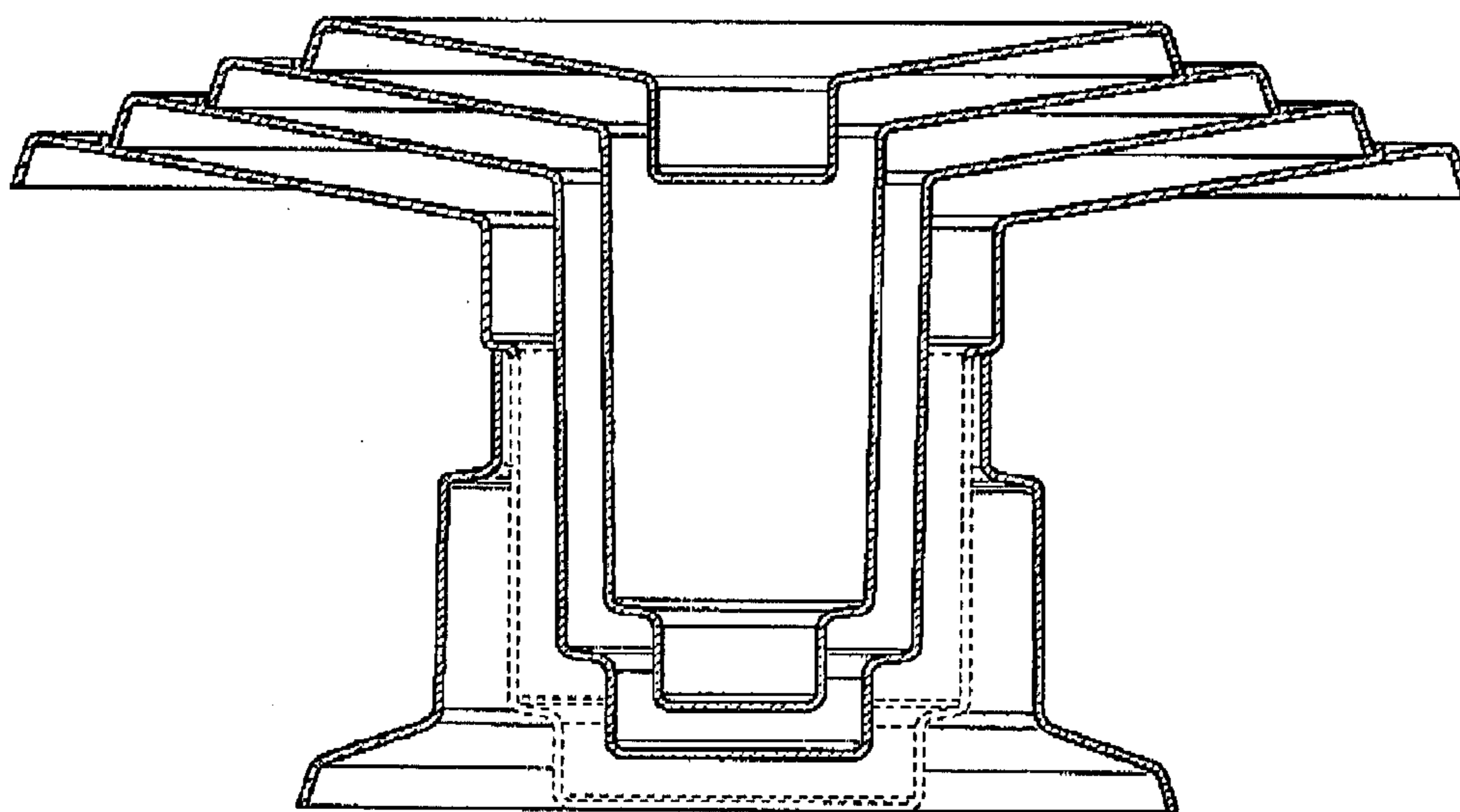


FIG. 2

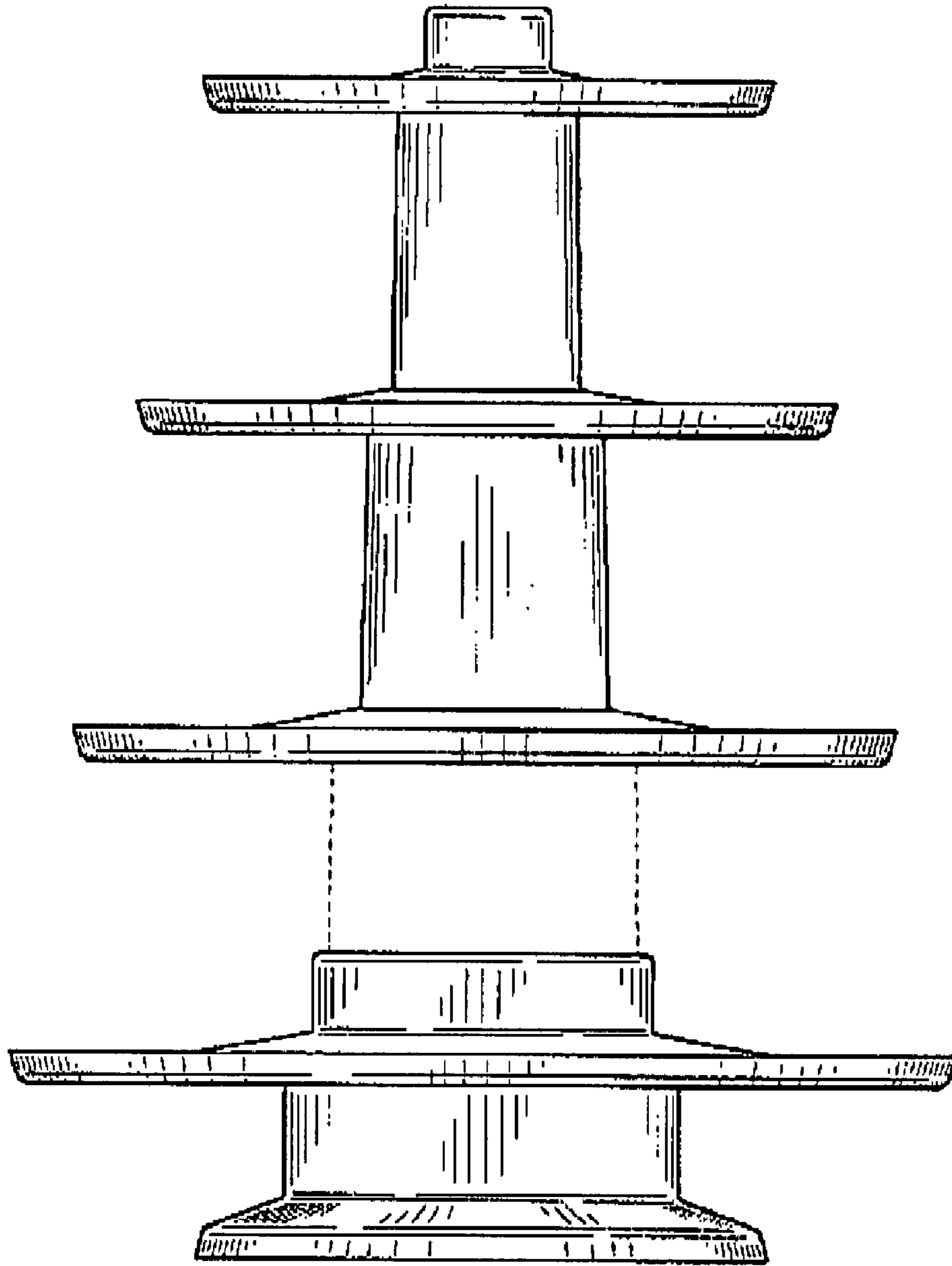


FIG. 3

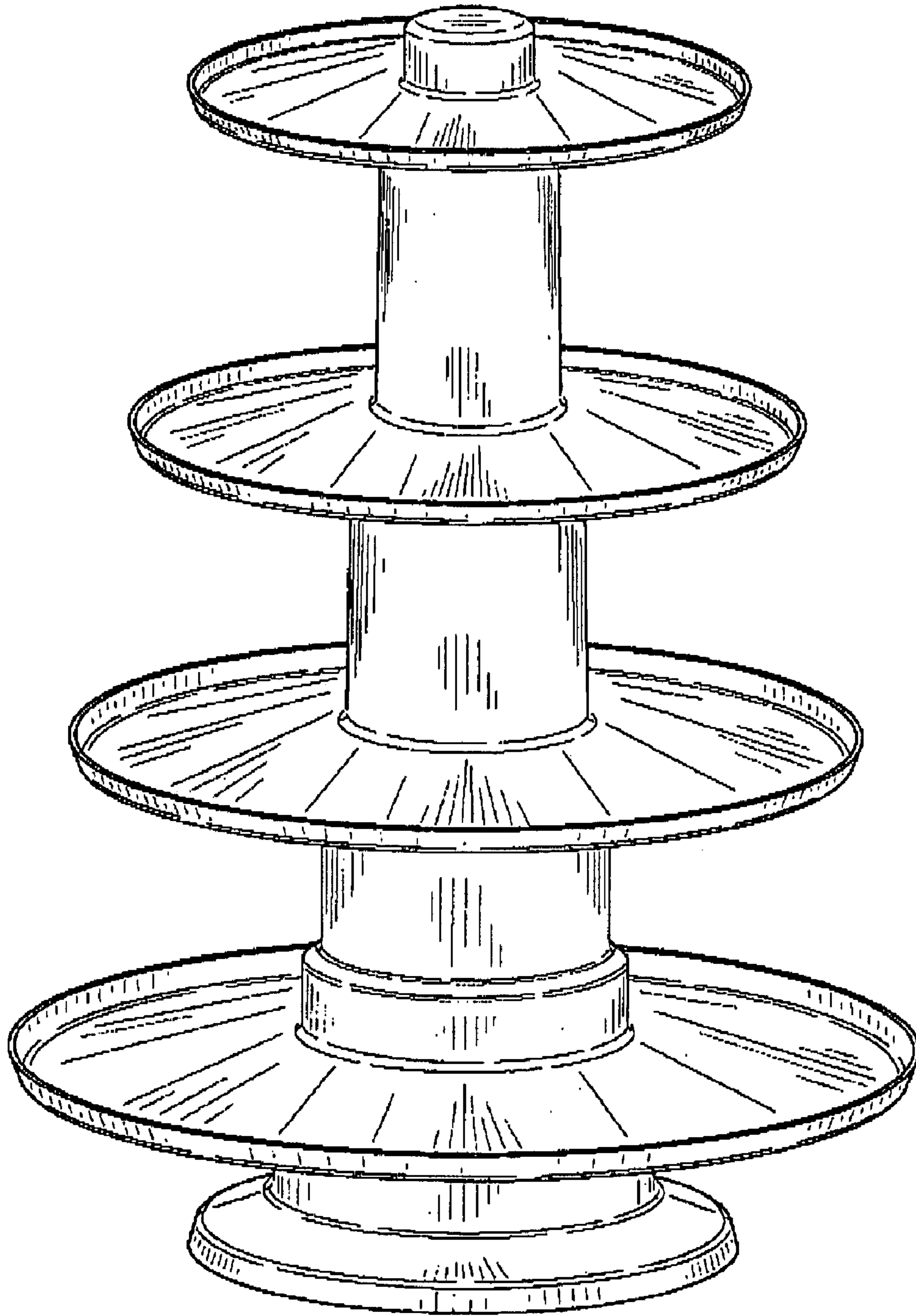


FIG. 4

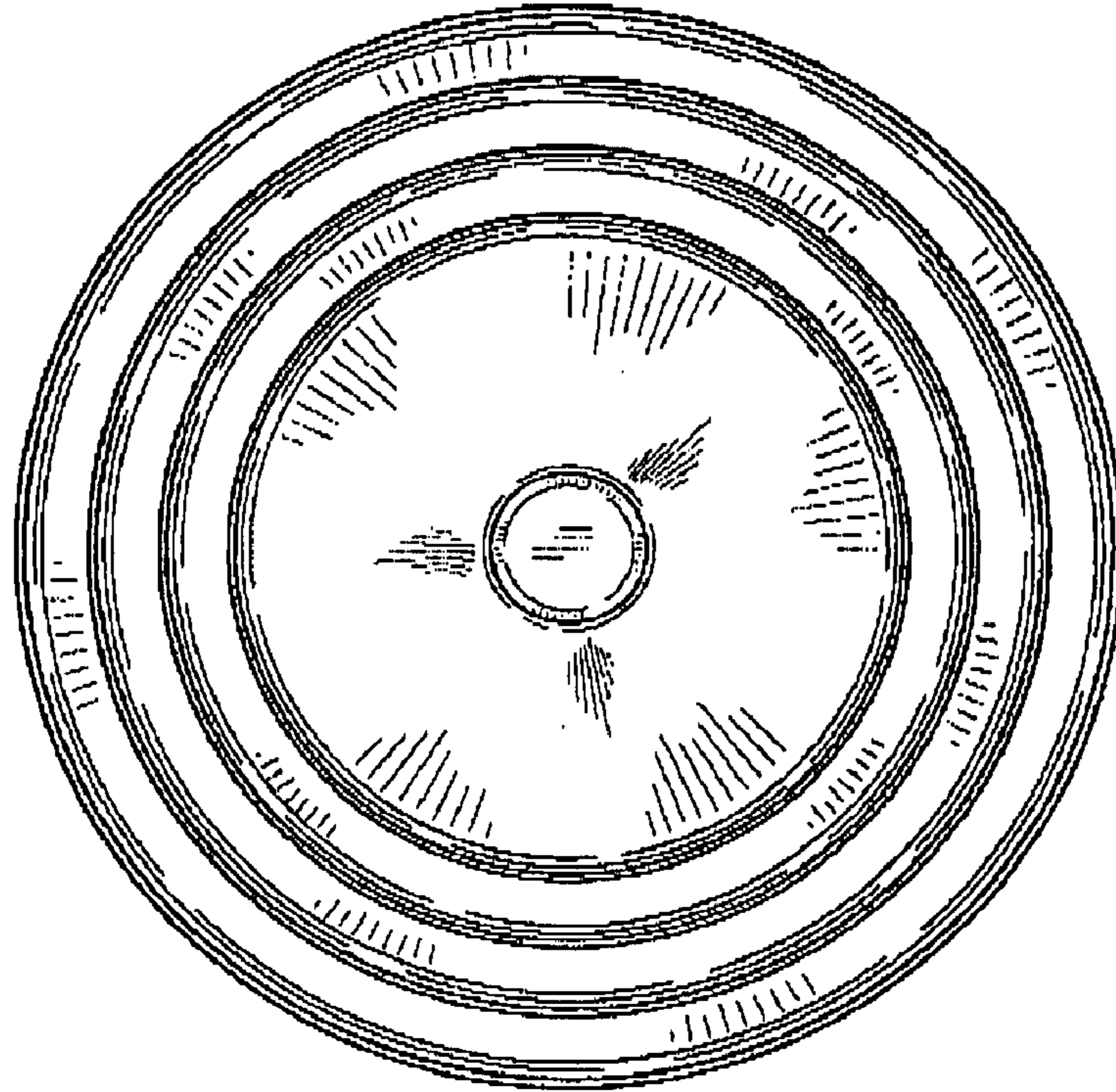


FIG. 5

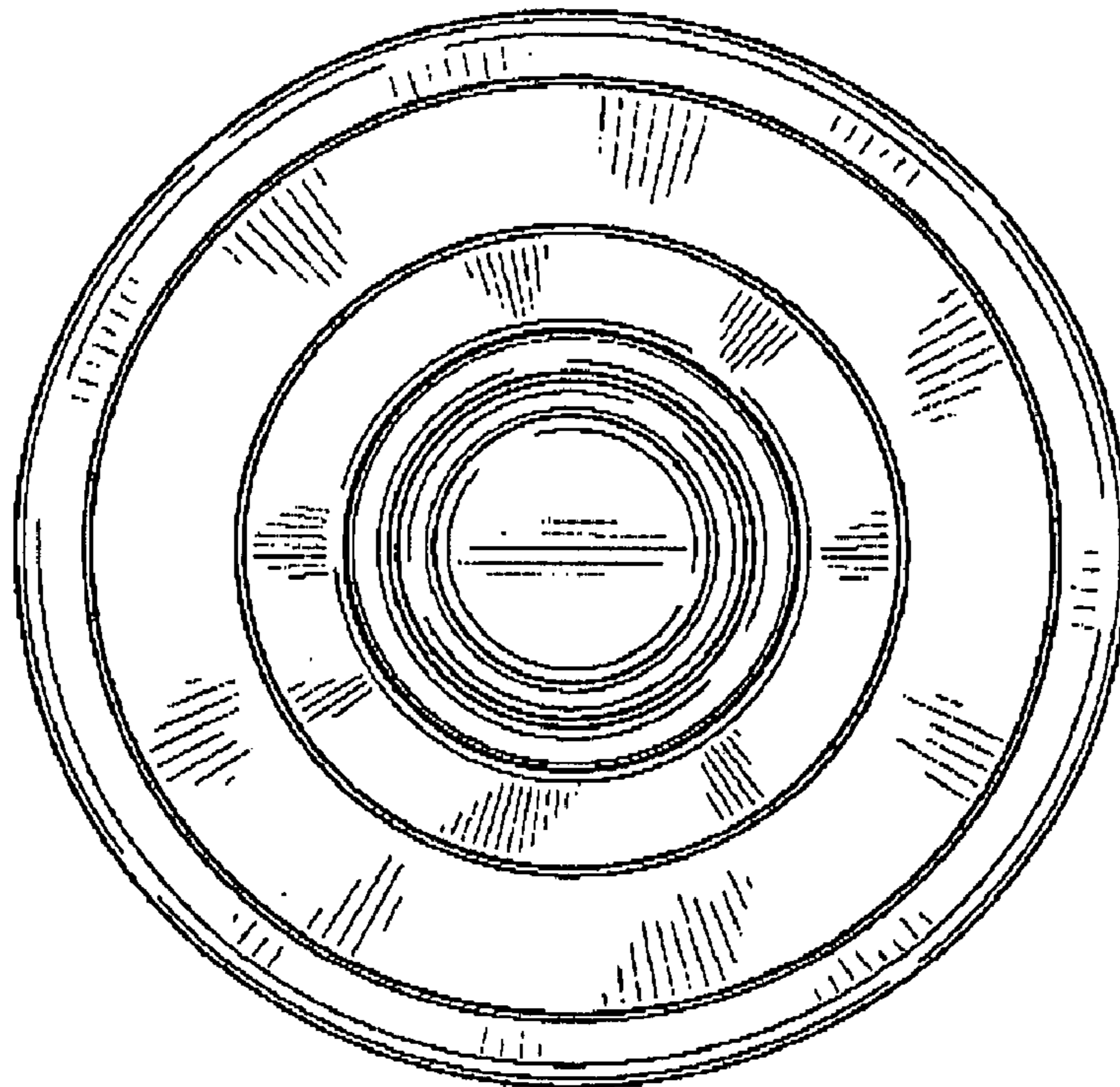


FIG. 6