

US00D560973S

(12) **United States Design Patent**  
**Parlowski**

(10) **Patent No.:** **US D560,973 S**

(45) **Date of Patent:** **\*\* Feb. 5, 2008**

(54) **PLATE**

(75) Inventor: **Jurgen Parlowski**, Brooklyn, NY (US)

(73) Assignee: **Baum Bros. Imports, Inc.**, New York, NY (US)

(\*\*) Term: **14 Years**

(21) Appl. No.: **29/262,231**

(22) Filed: **Jun. 28, 2006**

(51) **LOC (8) Cl.** ..... **07-01**

(52) **U.S. Cl.** ..... **D7/553.8**

(58) **Field of Classification Search** ..... D7/501,  
D7/550.1, 552.2, 553.1, 553.2, 553.5-553.6,  
D7/545, 553.8, 554.1-554.4, 555-557, 546,  
D7/548, 584, 586, 565, 587; 220/574, 575,  
220/516; 206/557, 564; 294/172; D9/428,  
D9/484

See application file for complete search history.

(56) **References Cited**

**U.S. PATENT DOCUMENTS**

421,264 A \* 2/1890 Gibbons ..... 220/575  
1,138,288 A \* 5/1915 Harper ..... 220/575  
2,295,860 A \* 9/1942 Oliver ..... 294/172  
D336,217 S \* 6/1993 Picozza ..... D7/553.6

D366,598 S \* 1/1996 Geddes ..... D7/553.1  
5,551,593 A \* 9/1996 Wiens ..... 220/575  
5,558,253 A \* 9/1996 Malvasio ..... 220/575  
D473,757 S \* 4/2003 Schwartz ..... D7/553.8  
6,609,625 B1 \* 8/2003 Gibbar ..... 220/574  
6,651,836 B1 \* 11/2003 Hofheins et al. .... 220/575  
D542,094 S \* 5/2007 McFaddin ..... D7/553.6

\* cited by examiner

*Primary Examiner*—Charles A. Rademaker

(74) *Attorney, Agent, or Firm*—Katten Muchin Rosenman LLP

(57) **CLAIM**

The ornamental design for a plate, as shown and described.

**DESCRIPTION**

FIG. 1 is a top perspective view of a plate showing my new design;

FIG. 2 is a front view thereof;

FIG. 3 is a rear view thereof;

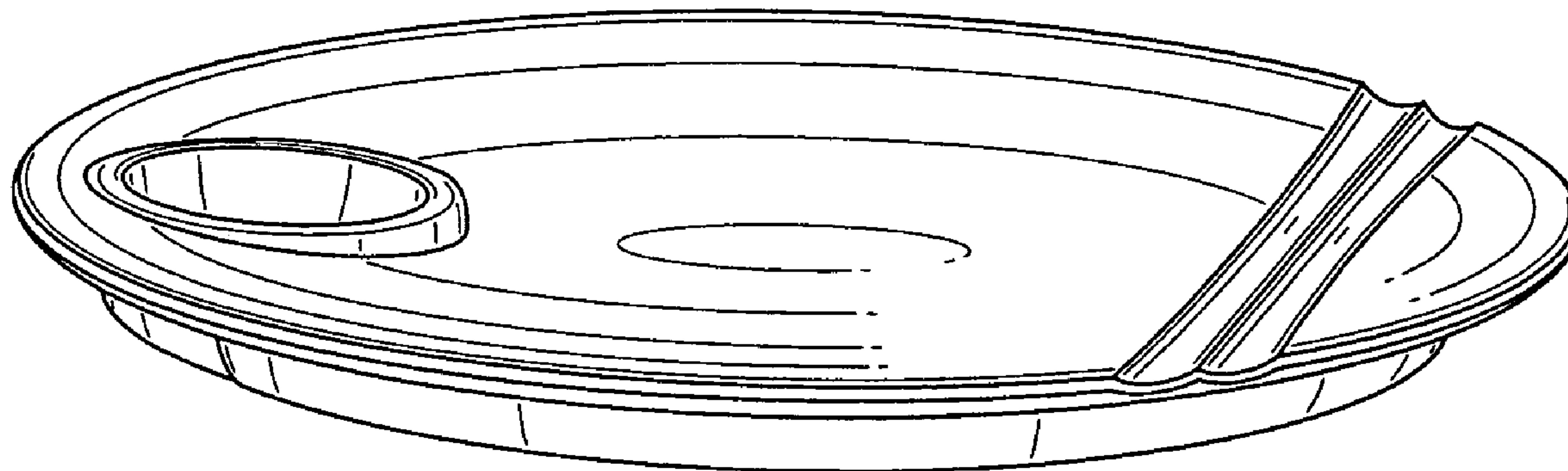
FIG. 4 is a left-side view thereof;

FIG. 5 is a right-side view thereof;

FIG. 6 is a top view thereof; and,

FIG. 7 is a bottom view thereof.

**1 Claim, 5 Drawing Sheets**



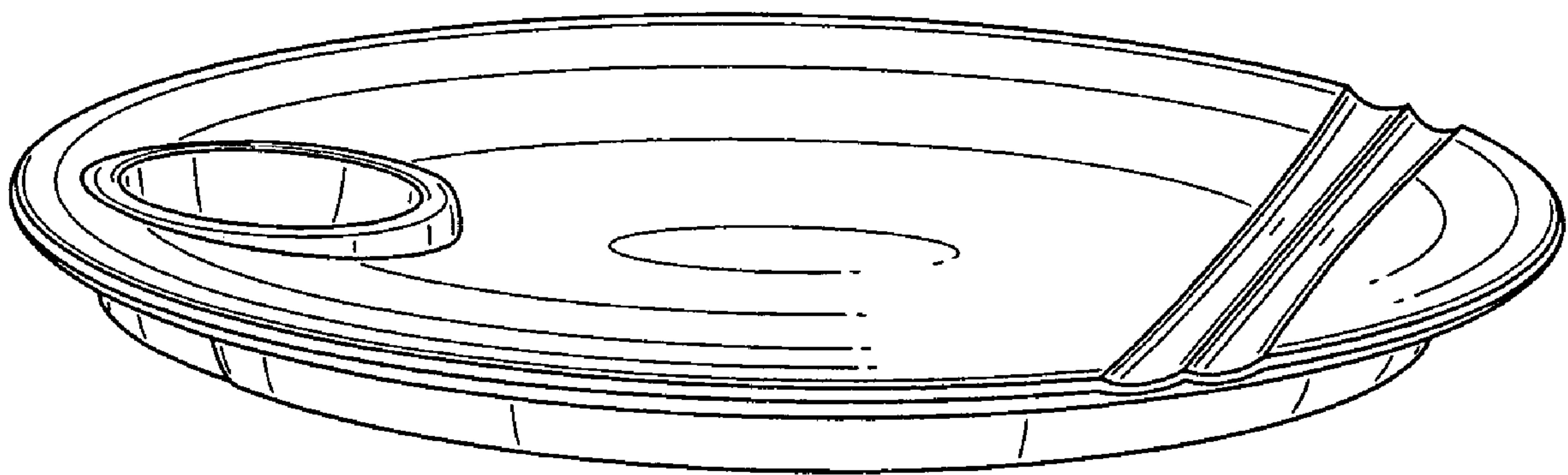


FIG. 1

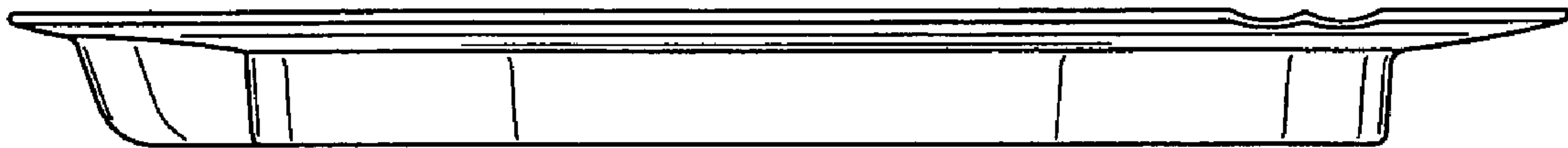


FIG. 2

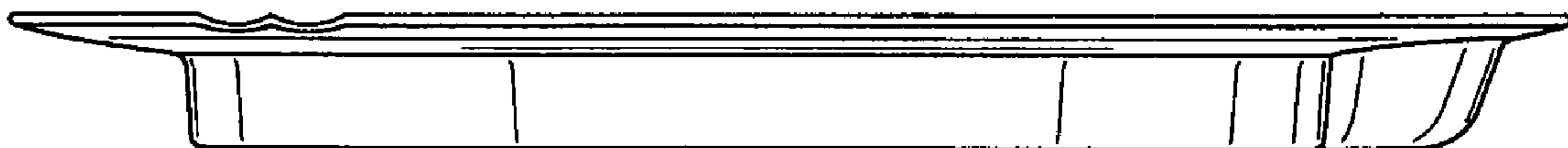


FIG. 3

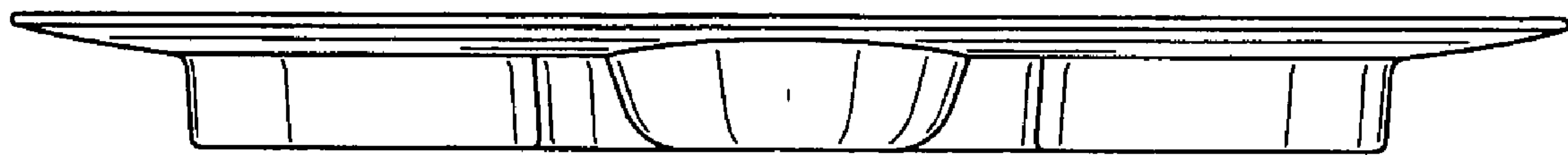


FIG. 4

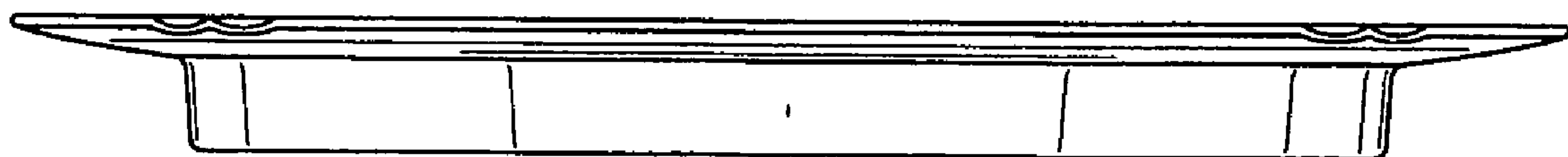


FIG. 5

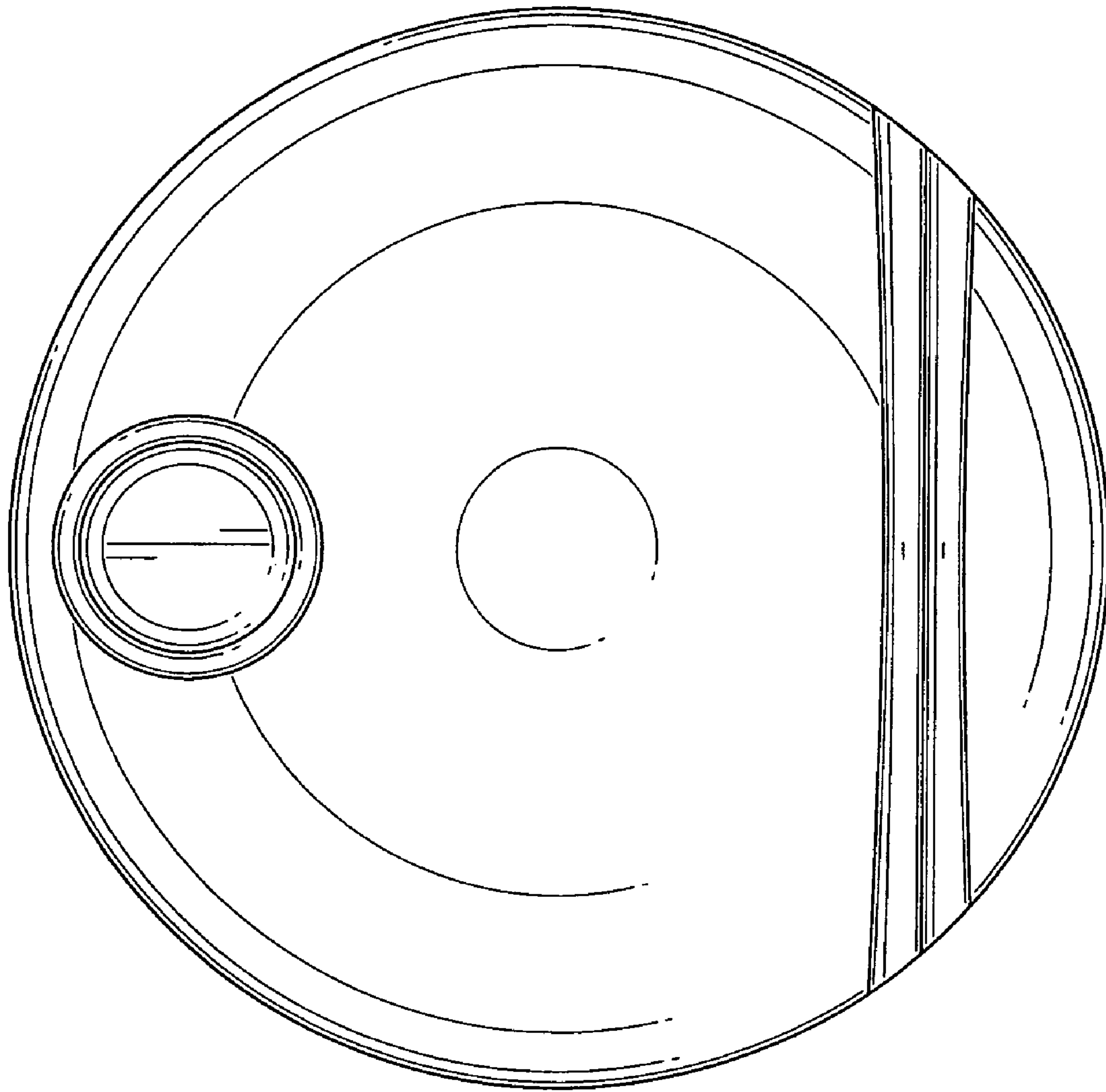


FIG. 6

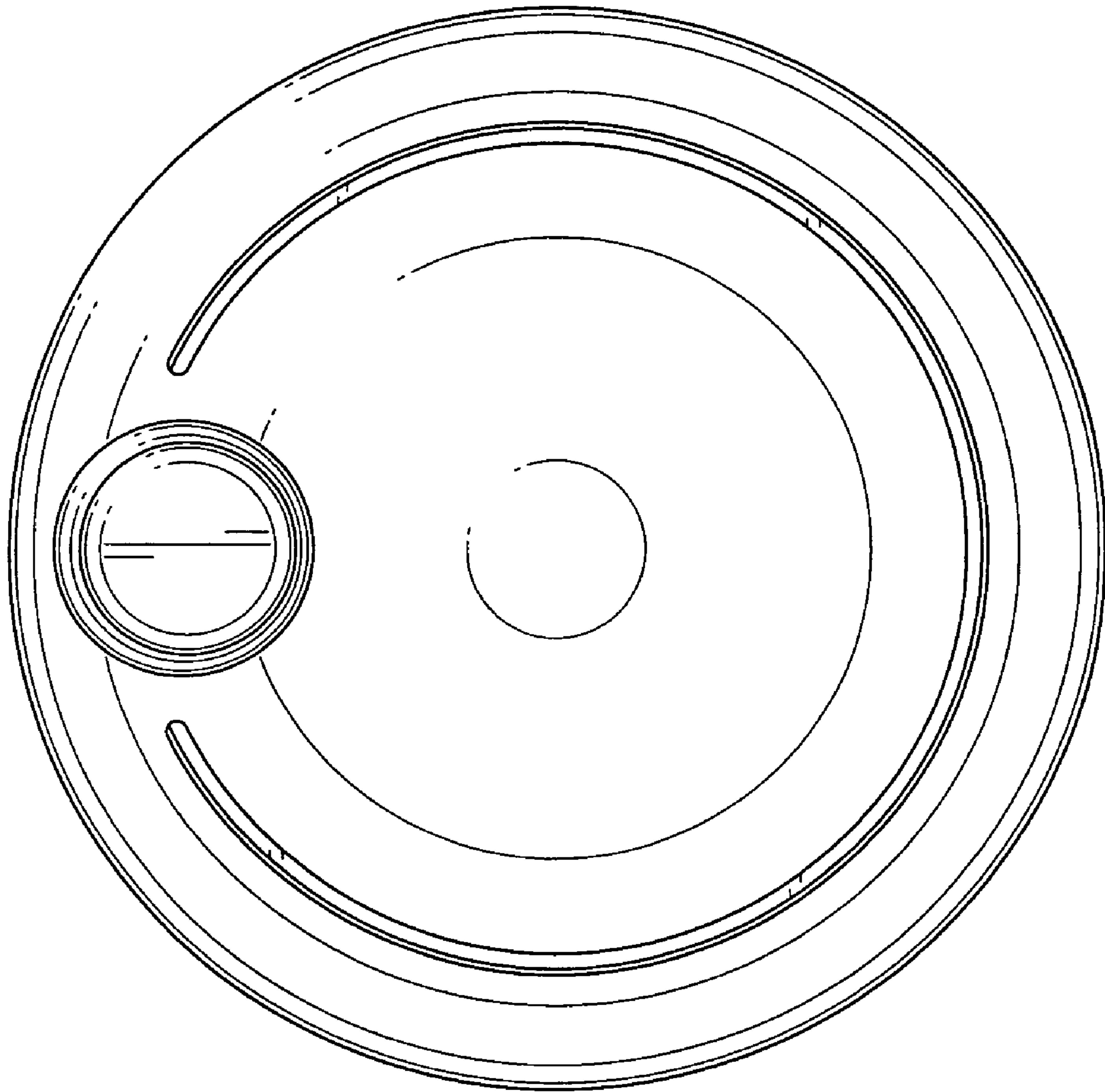


FIG. 7