



US00D560970S

(12) **United States Design Patent**
Yelland

(10) **Patent No.:** **US D560,970 S**

(45) **Date of Patent:** **** Feb. 5, 2008**

(54) **ARMADILLO MUG WITH HANDLE**

(75) Inventor: **William Yelland**, Brampton (CA)

(73) Assignee: **Sun Coast Merchandise Corporation**,
Commerce, CA (US)

(**) Term: **14 Years**

(21) Appl. No.: **29/246,716**

(22) Filed: **May 4, 2006**

(51) **LOC (8) Cl.** **07-01**

(52) **U.S. Cl.** **D7/536; D7/532**

(58) **Field of Classification Search** D7/510,
D7/511, 534, 620, 523, 532, 509, 514-516,
D7/536, 533; D3/202, 215; 220/710.5, 603,
220/715, 711; 215/396, 398, 11.6; D24/197;
D9/429

See application file for complete search history.

(56) **References Cited**

U.S. PATENT DOCUMENTS

D104,342 S *	5/1937	Duncan	D7/529
D193,585 S *	9/1962	Eicholz	D9/429
D195,283 S *	5/1963	Kalow	D9/429
D199,336 S *	10/1964	Wanderer	D9/429
D253,216 S *	10/1979	Trombly	D7/509
D282,134 S *	1/1986	Durand	D7/523
D283,387 S *	4/1986	Durand	D7/523
D346,308 S *	4/1994	Cautereels et al.	D7/509
D346,932 S *	5/1994	Cautereels et al.	D7/507
D407,270 S *	3/1999	Wilson	D7/529
D436,296 S *	1/2001	Freed	D7/523
D476,850 S *	7/2003	Featherston et al.	D7/510

D489,574 S *	5/2004	Copeland	D7/536
D490,655 S *	6/2004	Zettle et al.	D7/532
D505,592 S *	5/2005	Liu	D7/532
D528,365 S *	9/2006	Hsu	D7/529
D529,574 S *	10/2006	Chih	D23/223
D530,980 S *	10/2006	Zerillo et al.	D7/509
D534,396 S *	1/2007	Kramer	D7/532
D535,524 S *	1/2007	Kramer	D7/533
D542,599 S *	5/2007	Tien	D7/523
D545,623 S *	7/2007	Renz et al.	D7/510
D546,123 S *	7/2007	Yelland	D7/509
D547,121 S *	7/2007	Friedman	D7/511
D547,123 S *	7/2007	Sandberg	D7/532

* cited by examiner

Primary Examiner—M. N. Pandozzi

(74) *Attorney, Agent, or Firm*—The Soni Law Firm

(57) **CLAIM**

The ornamental design for a armadillo mug with handle, as shown and described.

DESCRIPTION

FIG. 1 is a top front side perspective view of an armadillo mug showing my new design;

FIG. 2 is a front elevational view thereof;

FIG. 3 is a top plan view thereof;

FIG. 4 is a side elevational view thereof;

FIG. 5 is an opposite side view thereof;

FIG. 6 is a rear elevational view thereof; and,

FIG. 7 is a bottom plan view thereof.

1 Claim, 4 Drawing Sheets

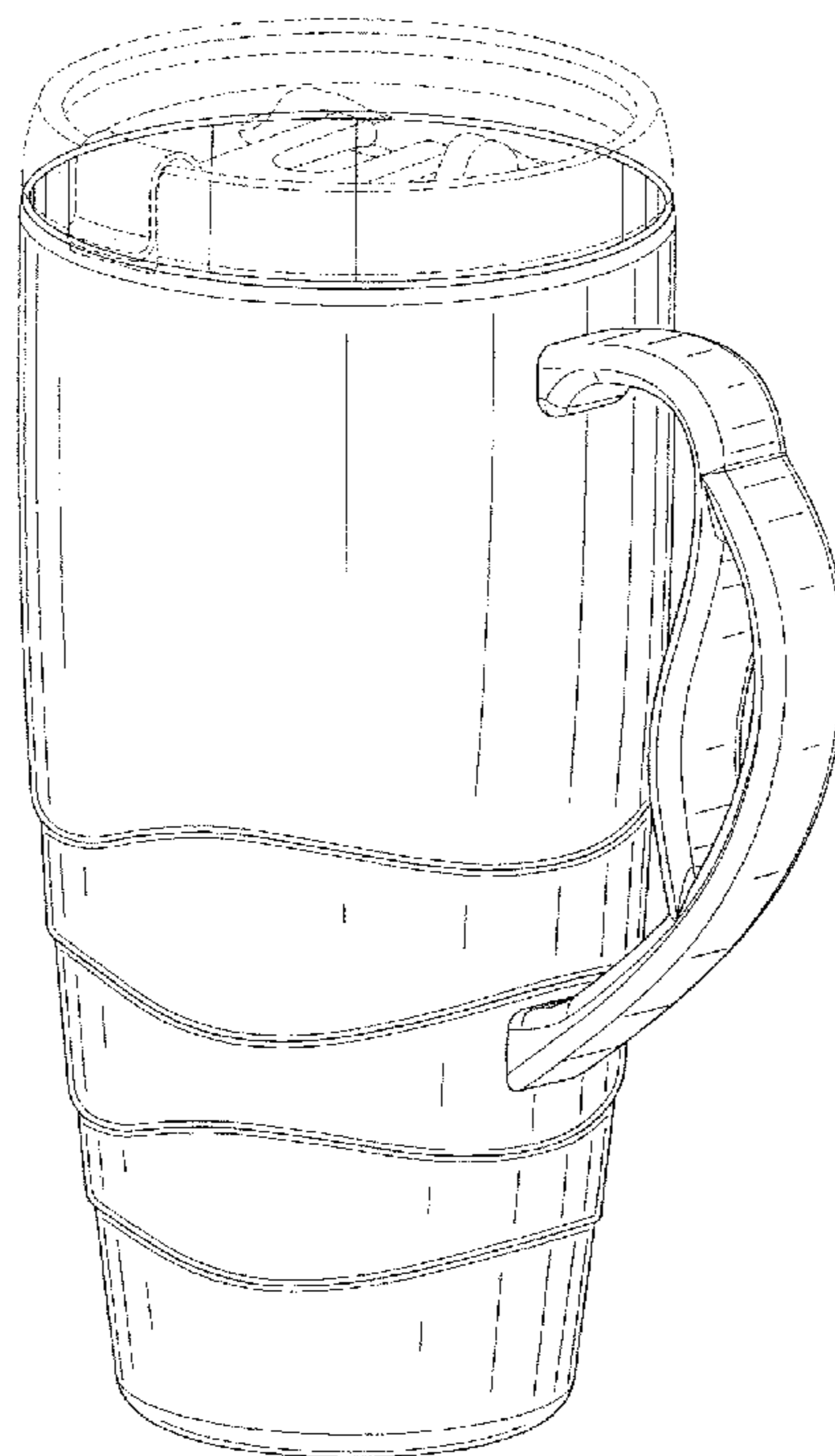
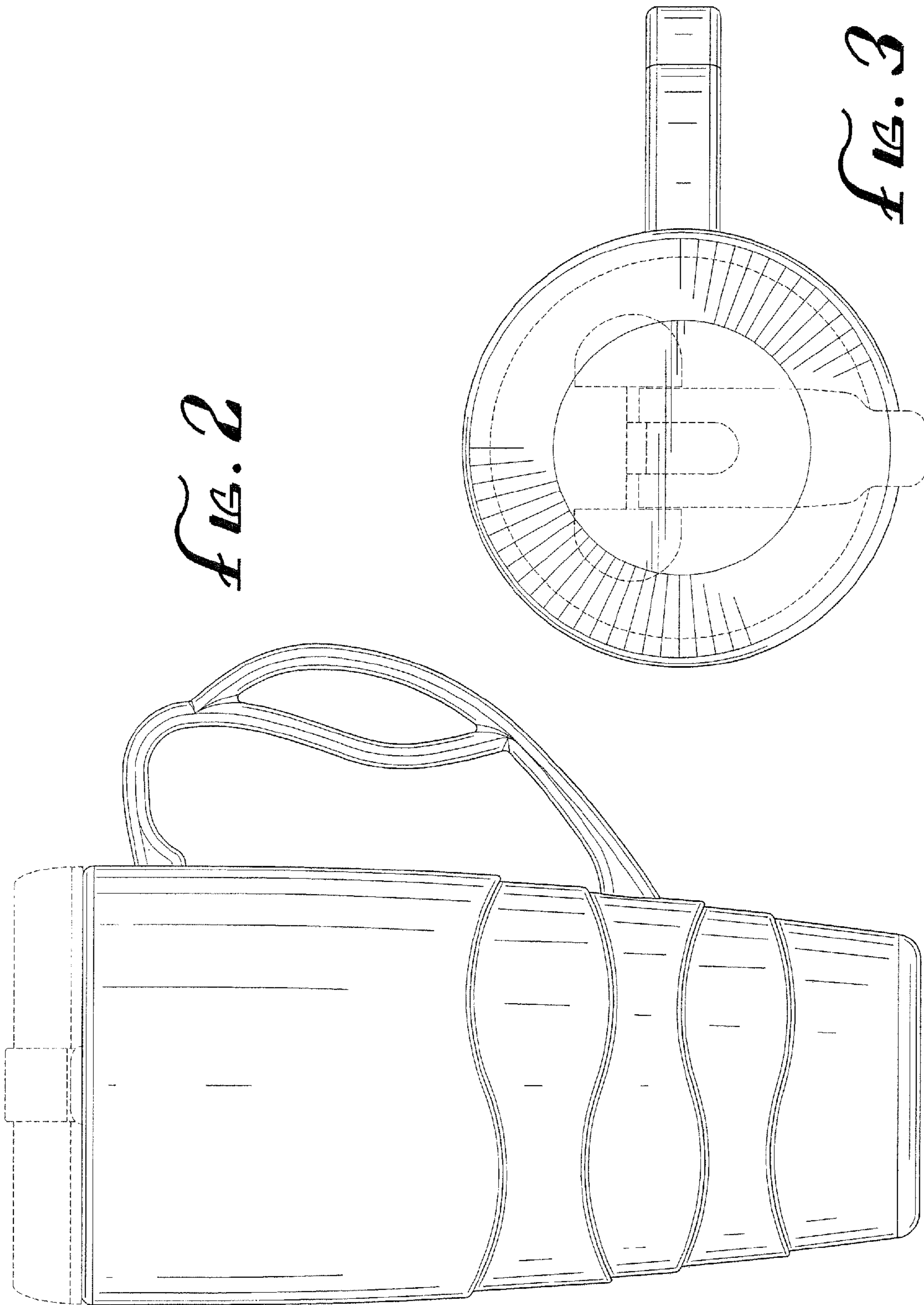




FIG. 1



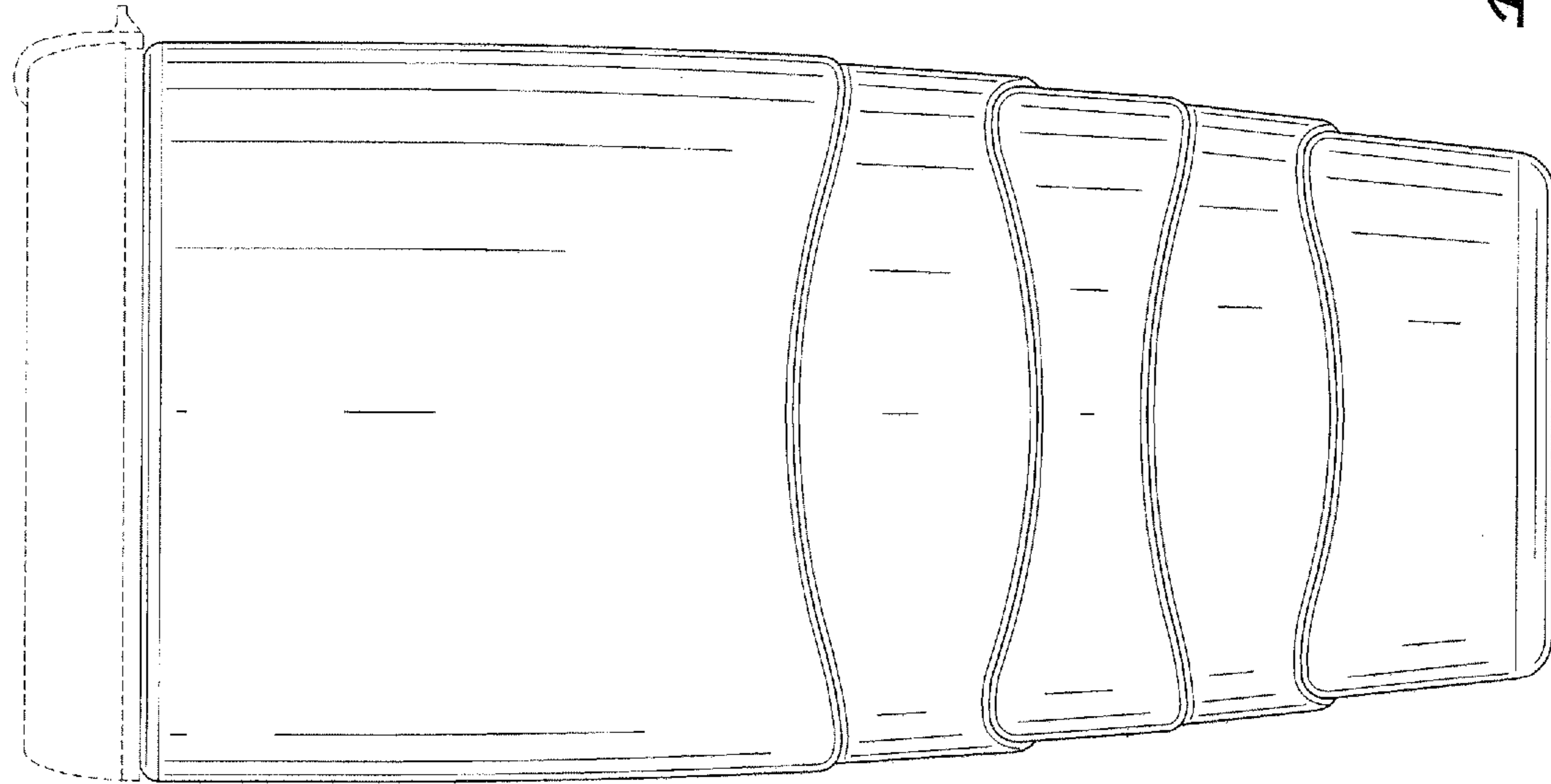


FIG. 5

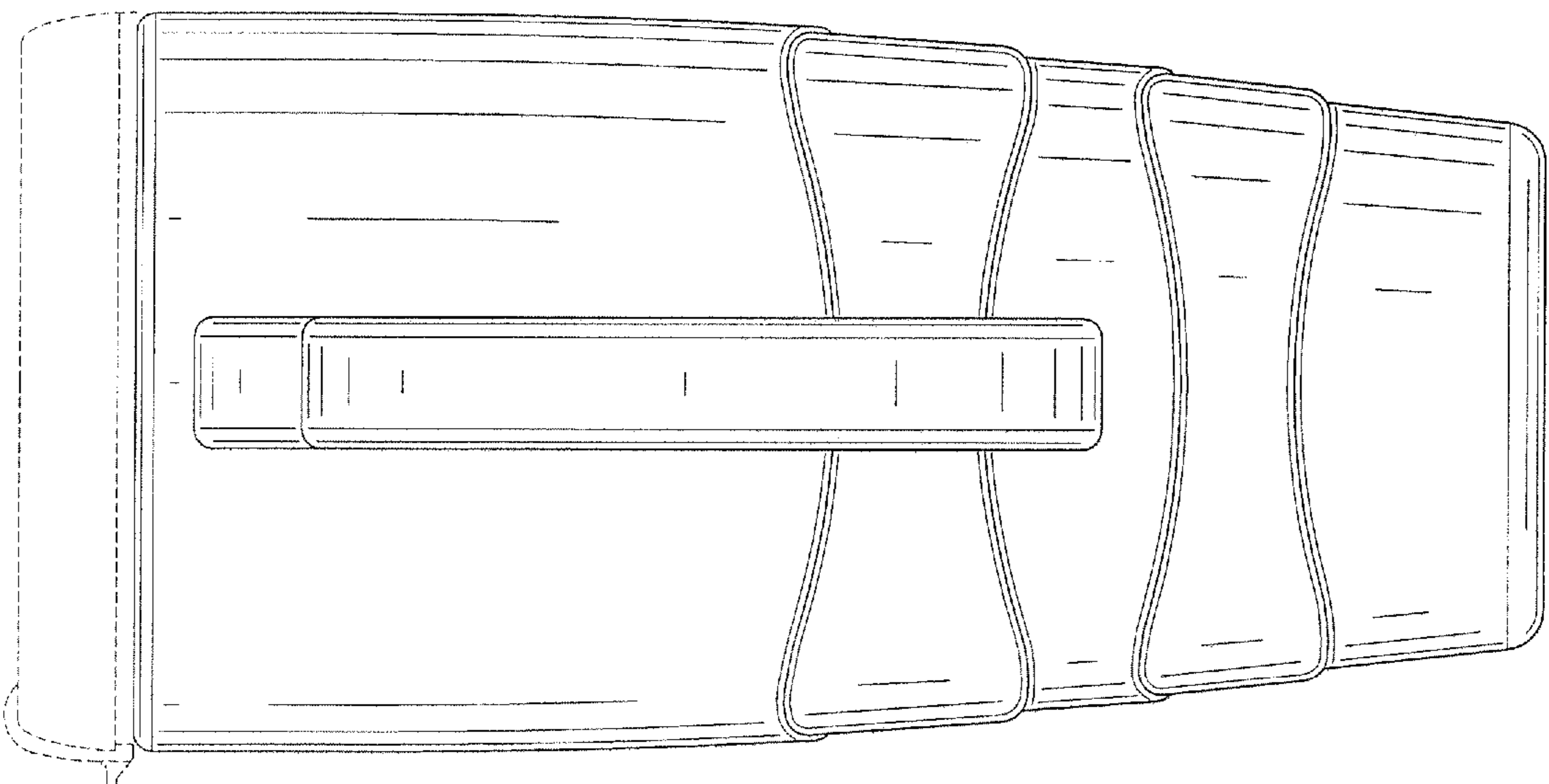


FIG. 4

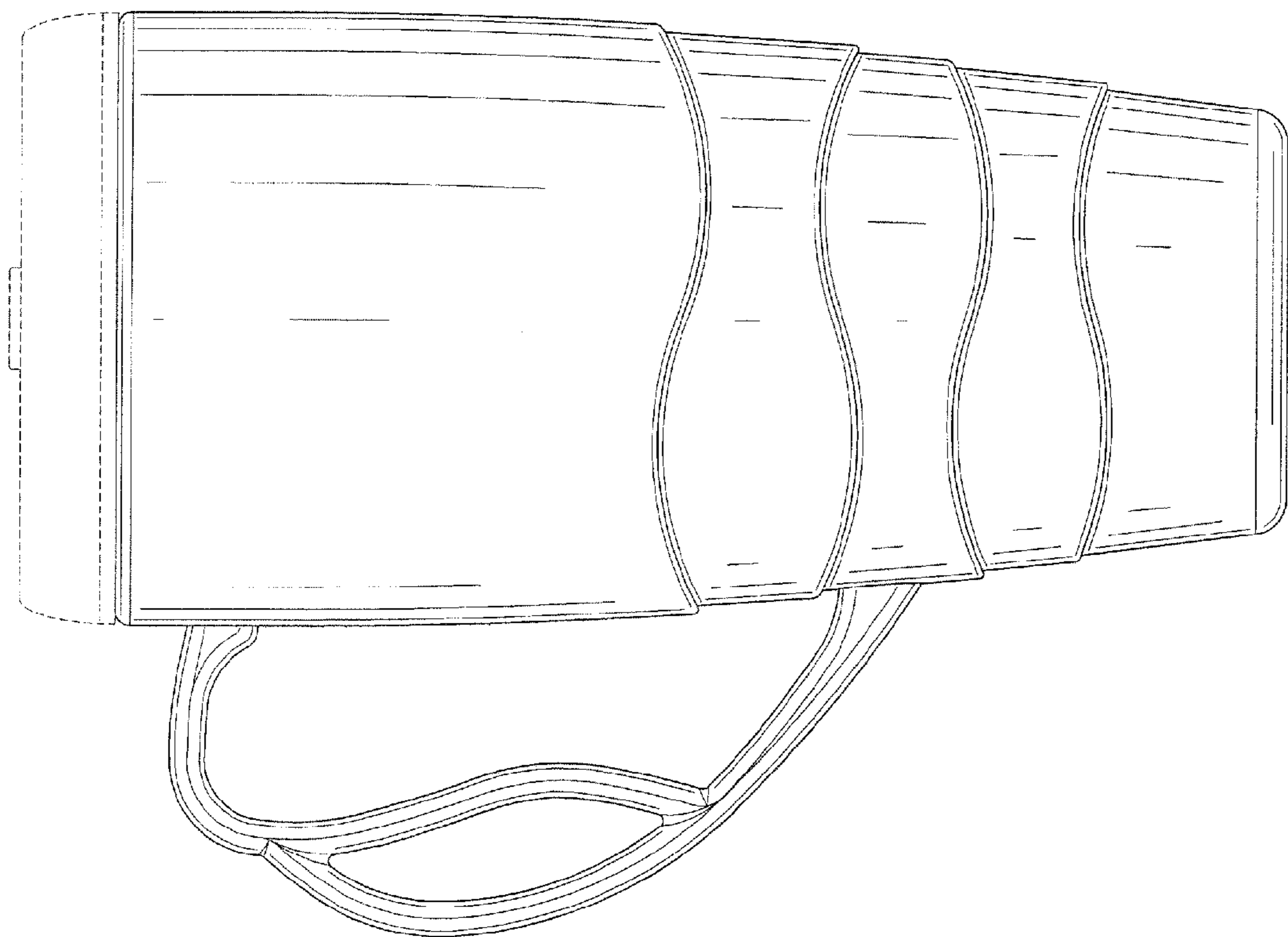


FIG. 6

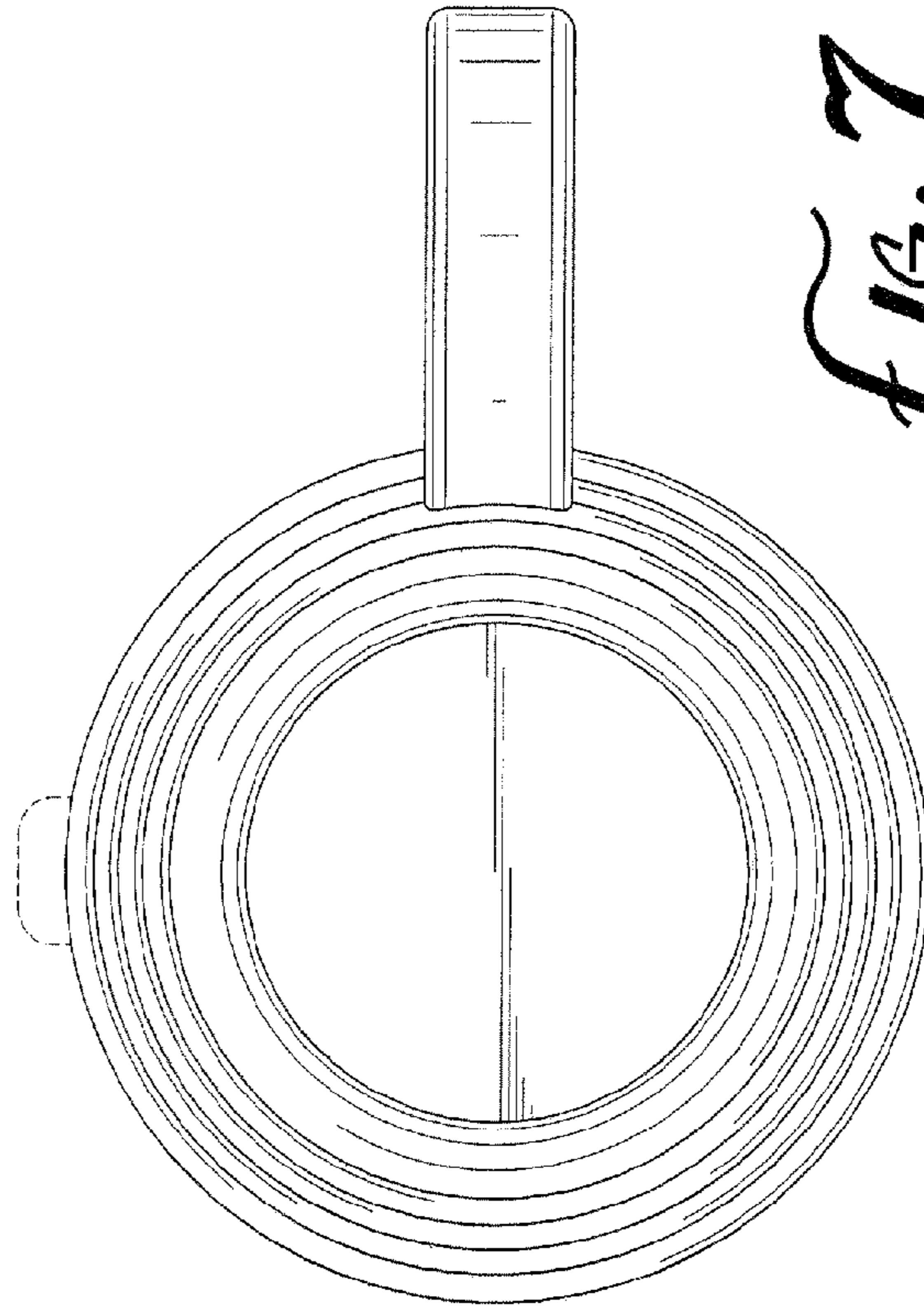


FIG. 7