



US00D560969S

(12) **United States Design Patent**
Mansfield

(10) **Patent No.:** **US D560,969 S**
(45) **Date of Patent:** **** Feb. 5, 2008**

(54) **DRINKING VESSEL**

(76) Inventor: **Bryan D. Mansfield**, 9020 Ogleby
Creek Rd., Myakka City, FL (US)
34251

(**) Term: **14 Years**

(21) Appl. No.: **29/278,589**

(22) Filed: **Apr. 3, 2007**

Related U.S. Application Data

(63) Continuation-in-part of application No. 29/277,631,
filed on Mar. 5, 2007.

(51) **LOC (8) Cl.** **07-01**

(52) **U.S. Cl.** **D7/523; D7/509; D7/515;**
D7/531

(58) **Field of Classification Search** **D7/300,**
D7/302, 500, 509, 511-515, 523, 524, 526-528,
D7/530-532, 540, 584, 589; D9/428, 503,
D9/521, 556; D11/143; D24/107, 112, 116,
D24/117, 222, 224, 226; D27/186; 211/69.4;
215/DIG. 7; 220/592.16, 592.17, 703
See application file for complete search history.

(56) **References Cited**

U.S. PATENT DOCUMENTS

- D46,619 S 11/1914 Fisher
- D47,721 S 8/1915 Haley
- D70,754 S 8/1926 Heisey
- D90,928 S 10/1933 Rosenmerkle
- D93,871 S 11/1934 Griffin
- D113,230 S 2/1939 Karsttat
- D161,115 S 12/1950 Meier
- D168,409 S 12/1952 Kell
- D198,139 S 5/1964 Edwards
- D217,001 S 3/1970 Stone
- D225,253 S 11/1972 Quistgaard
- D240,286 S 6/1976 Sarpaneva
- D248,004 S 5/1978 Simpson
- D263,544 S 3/1982 Vennola
- D286,072 S * 10/1986 Miller D24/224

- D286,570 S * 11/1986 Williams D24/222
- D287,639 S * 1/1987 Moore et al. D24/224
- D300,561 S * 4/1989 Asa et al. D24/112
- D302,225 S 7/1989 Shapard
- D318,728 S * 7/1991 Braune D24/224
- 5,098,663 A 3/1992 Berthold et al.
- D334,321 S 3/1993 Falzorano
- D340,838 S * 11/1993 Lingo D7/531
- D358,080 S 5/1995 Handler
- D384,418 S * 9/1997 Torti et al. D24/222
- D399,571 S * 10/1998 Kelly et al. D24/224
- D400,051 S 10/1998 Miyagi
- D417,820 S 12/1999 Pelz et al.
- D418,015 S 12/1999 Santini
- D418,370 S 1/2000 Wilson
- D431,418 S 10/2000 Moran
- D447,957 S * 9/2001 Lichtman et al. D9/556
- D449,962 S 11/2001 Harrison et al.
- D474,648 S 5/2003 Dimeo
- D491,020 S 6/2004 Gluck
- D515,359 S 2/2006 Andrews
- D517,920 S * 3/2006 Abadinsky D9/522
- D519,840 S * 5/2006 Abadinsky D9/502
- D519,868 S * 5/2006 Sasano et al. D10/103
- D527,223 S 8/2006 Thun
- D535,559 S 1/2007 Kehoe
- D543,783 S * 6/2007 Goldberg D7/523

OTHER PUBLICATIONS

Lake Charles Manufacturing, Lake Charles, Louisiana, Shot Wizard Datasheet [online] [retrieved Mar. 29, 2007] 1 page, Retrieved from the Internet <URL <http://www.shotwizard.com/PhotoGallery.asp?ProductCode=207%2D0013W>>.

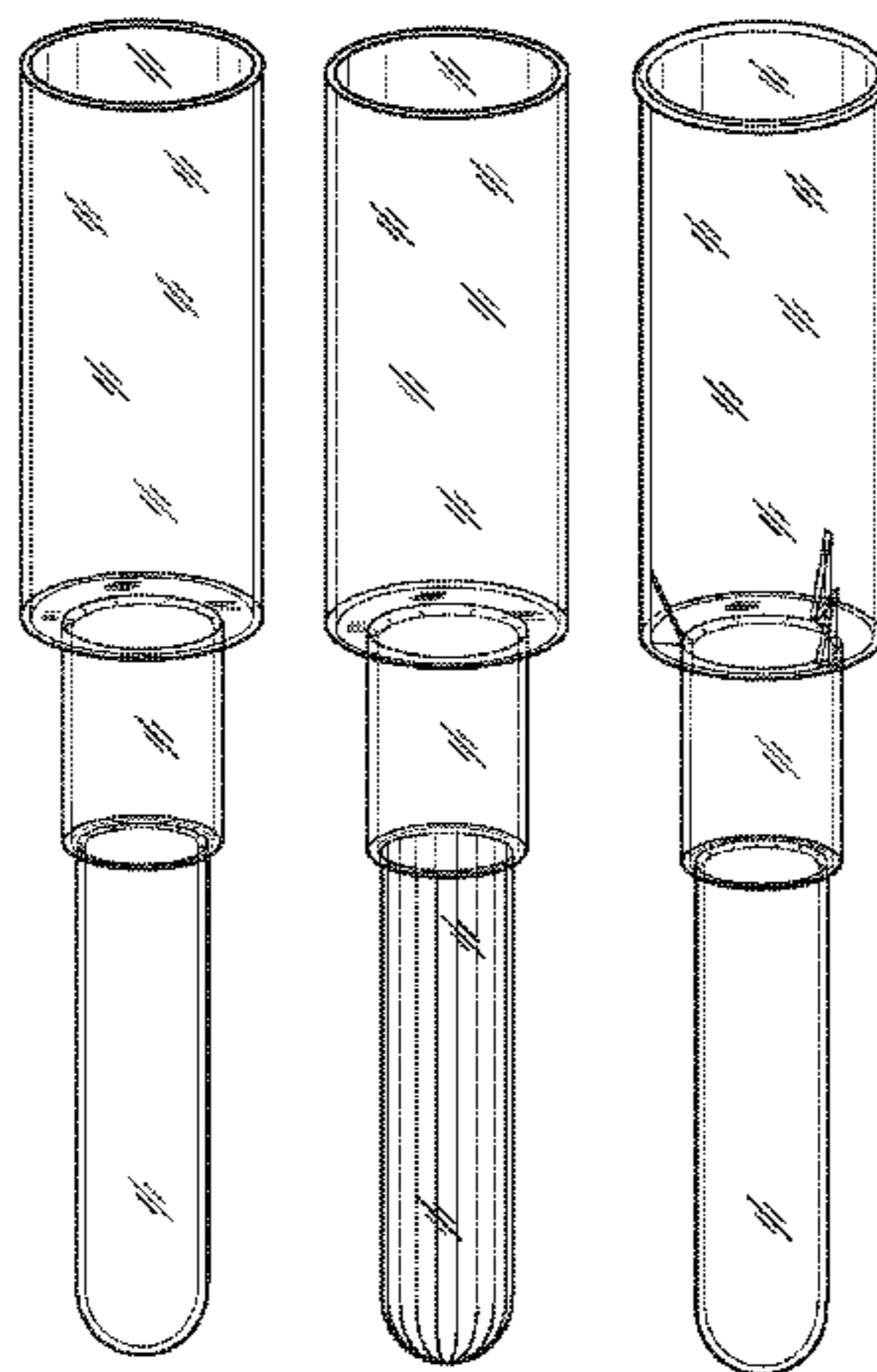
Bar Products.com Inc., Largo, Florida, Tube SHOTZ(R) Datasheet [online] [retrieved Mar. 29, 2007] 1 page, Retrieved from the Internet <URL <http://www.barproducts.com/media/5901b.html>>.

* cited by examiner

Primary Examiner—Philip S. Hyder

Assistant Examiner—Cynthia Underwood

(74) *Attorney, Agent, or Firm*—Mark Douma



(57)

CLAIM

I claim the ornamental design for a drinking vessel, as shown and described.

DESCRIPTION

FIG. 1 is a top and side perspective view of a drinking vessel showing my new design.

FIG. 2 is a side elevation view thereof, wherein all the claimed elements appear the same from all sides.

FIG. 3 is a top plan view thereof;

FIG. 4 is a bottom plan view thereof;

FIG. 5 is a vertical longitudinal sectional view along line 5—5 of FIG. 3;

FIG. 6 is a top and side perspective view of a second embodiment showing my new design;

FIG. 7 is a side elevation view thereof, wherein all the claimed elements appear the same from all sides;

FIG. 8 is a top plan view thereof;

FIG. 9 is a bottom plan view thereof;

FIG. 10 is a vertical longitudinal sectional view along line 10—10 of FIG. 8;

FIG. 11 is a top and side perspective view of a third embodiment showing my new design;

FIG. 12 is a side elevation view thereof, wherein all the claimed elements appear the same from all sides;

FIG. 13 is a top plan view thereof;

FIG. 14 is a bottom plan view thereof;

FIG. 15 is a vertical longitudinal sectional view along line 15—15 of FIG. 13;

FIG. 16 is a top and side perspective view of a fifteenth embodiment showing my new design;

FIG. 17 is a side elevation view thereof, wherein all the claimed elements appear the same from all sides;

FIG. 18 is a top plan view thereof;

FIG. 19 is a bottom plan view thereof;

FIG. 20 is a vertical longitudinal sectional view along line 20—20 of FIG. 18;

FIG. 21 is a top and side perspective view of a fourth embodiment showing my new design;

FIG. 22 is a side elevation view thereof, wherein views from other sides can be understood from the perspective view;

FIG. 23 is a top plan view thereof;

FIG. 24 is a bottom plan view thereof;

FIG. 25 is a vertical longitudinal sectional view along line 25—25 of FIG. 23;

FIG. 26 is a top and side perspective view of a fifth embodiment showing my new design;

FIG. 27 is a side elevation view thereof, wherein views from other sides can be understood from the perspective view;

FIG. 28 is a top plan view thereof;

FIG. 29 is a bottom plan view thereof;

FIG. 30 is a vertical longitudinal sectional view along line 30—30 of FIG. 28;

FIG. 31 is a top and side perspective view of a sixth embodiment showing my new design;

FIG. 32 is a side elevation view thereof, wherein views from other sides can be understood from the perspective view;

FIG. 33 is a top plan view thereof;

FIG. 34 is a bottom plan view thereof;

FIG. 35 is a vertical longitudinal sectional view along line 35—35 of FIG. 33;

FIG. 36 is a top and side perspective view of a seventh embodiment showing my new design;

FIG. 37 is a side elevation view thereof, wherein views from other sides can be understood from the perspective view;

FIG. 38 is a top plan view thereof;

FIG. 39 is a bottom plan view thereof; and,

FIG. 40 is a vertical longitudinal sectional view along line 40—40 of FIG. 38.

1 Claim, 24 Drawing Sheets

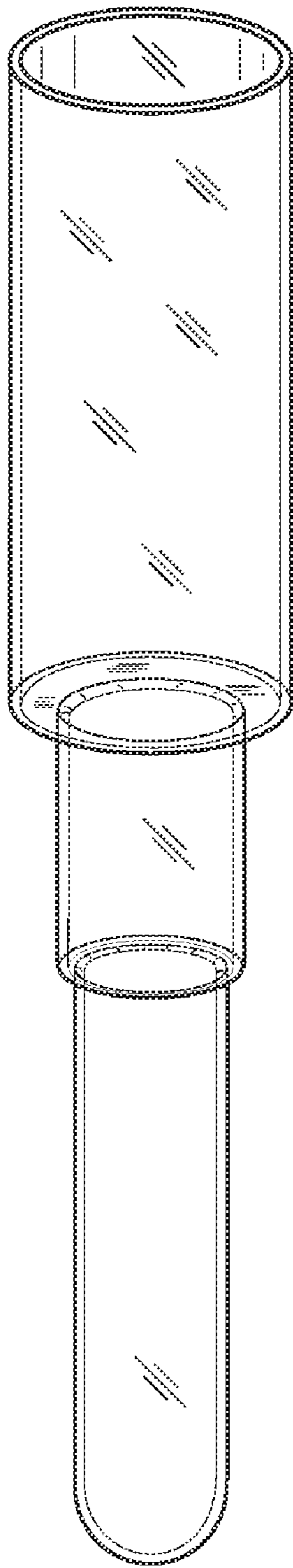


FIG. 1

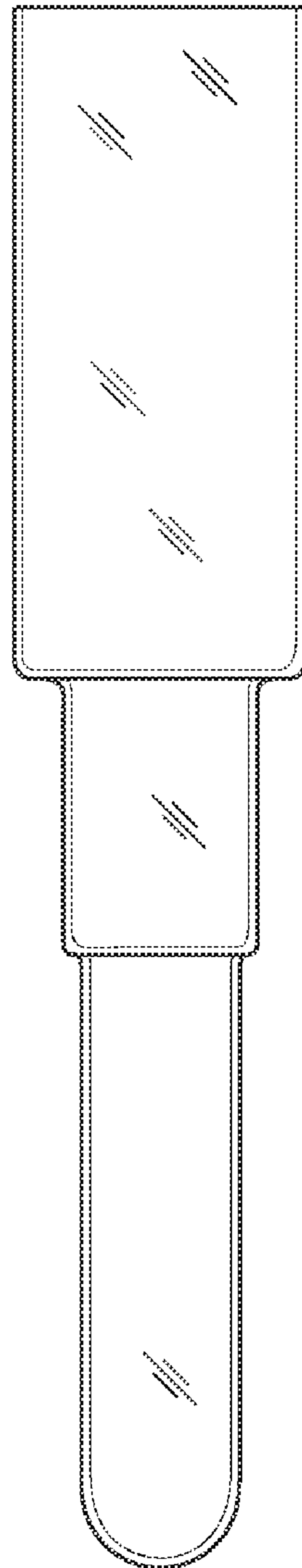


FIG. 2

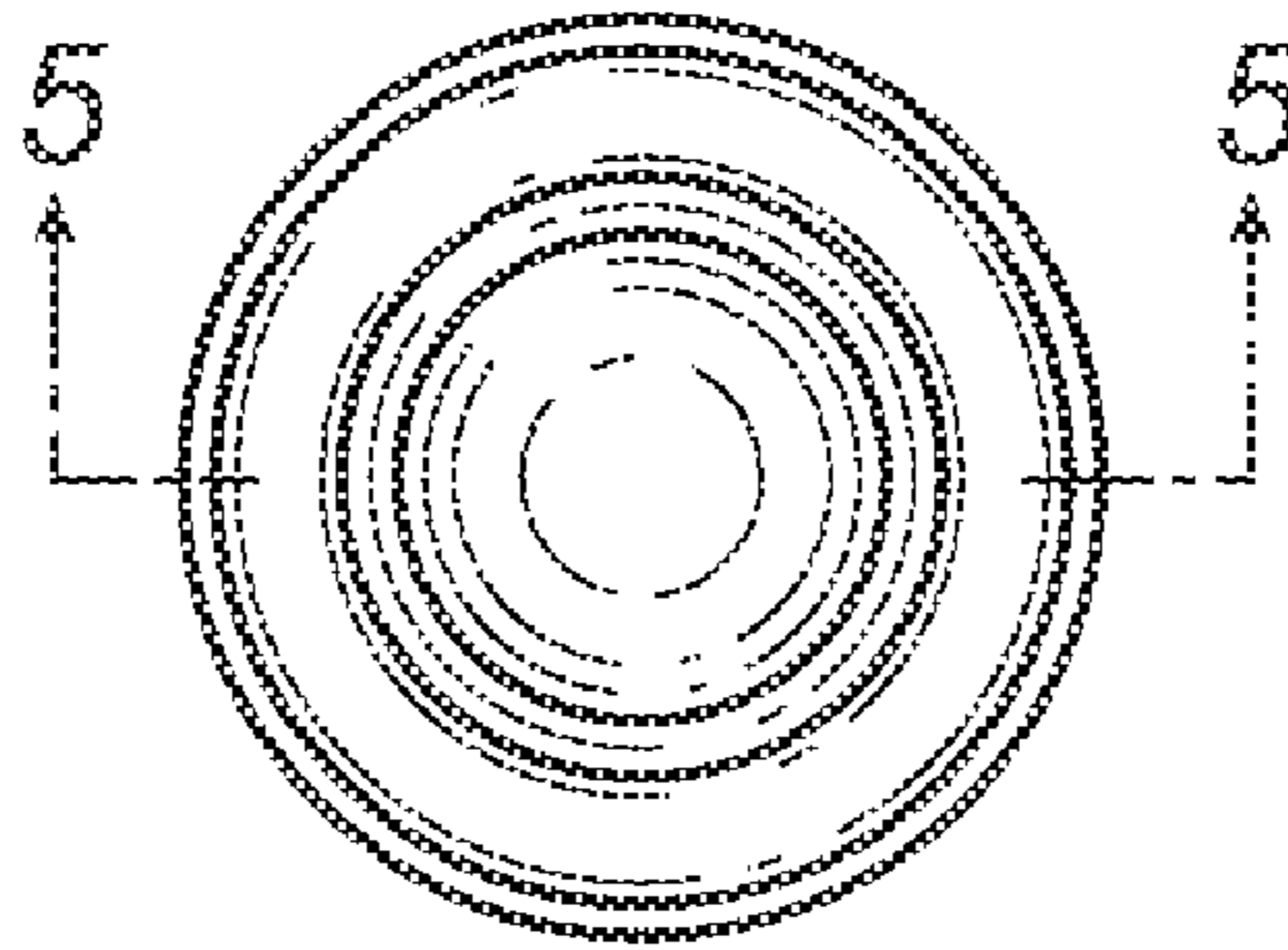


FIG. 3

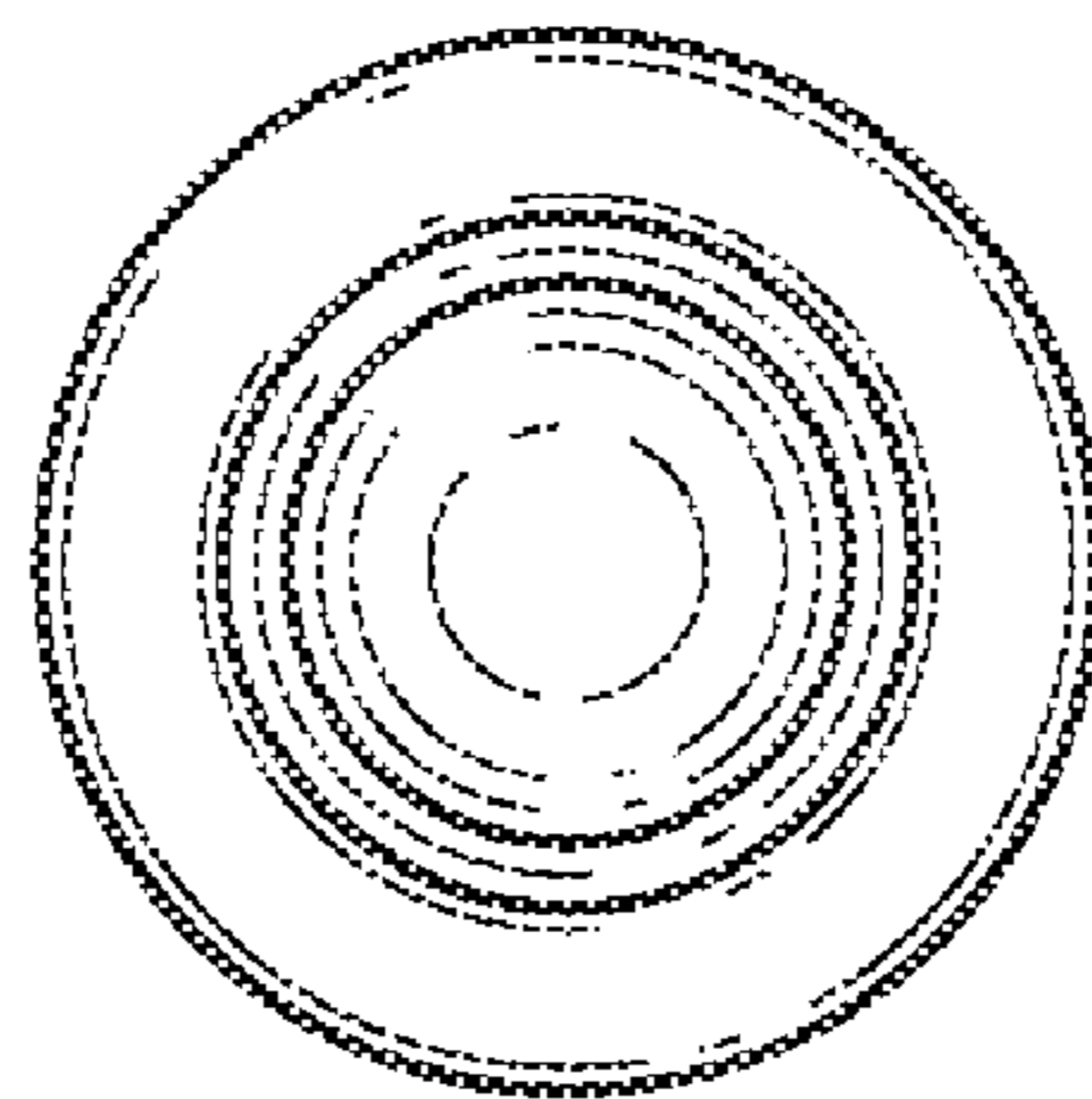


FIG. 4

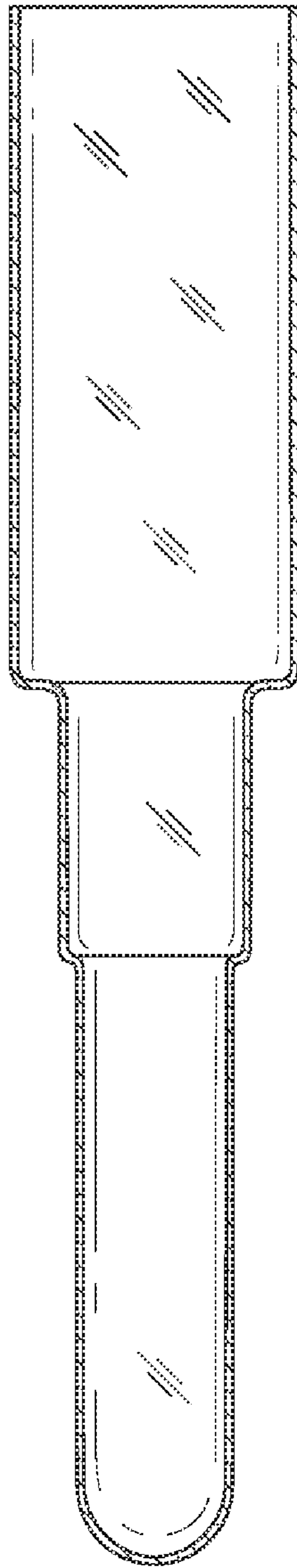


FIG. 5

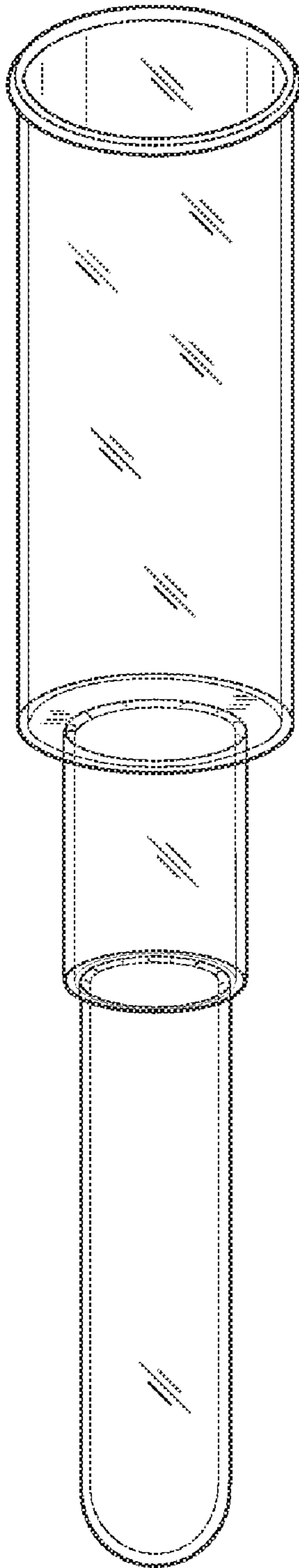


FIG. 6

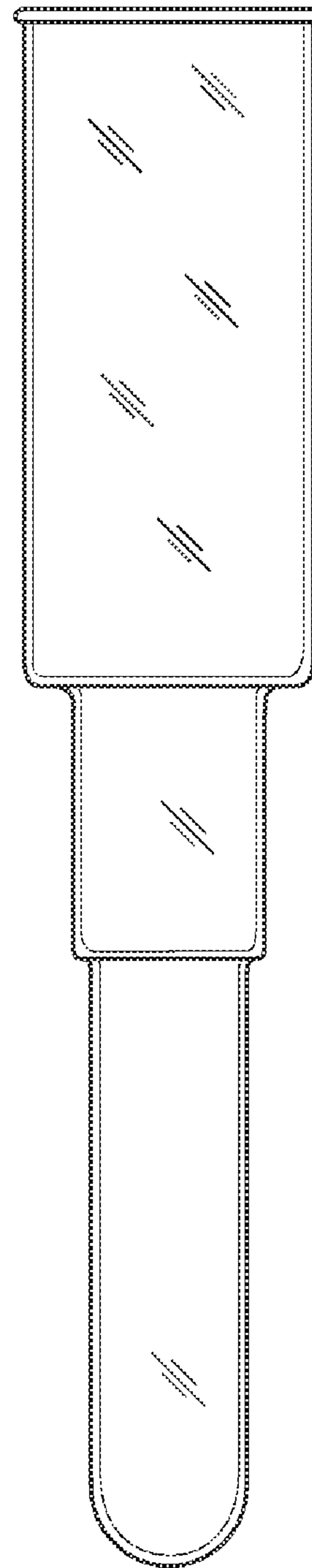


FIG. 7

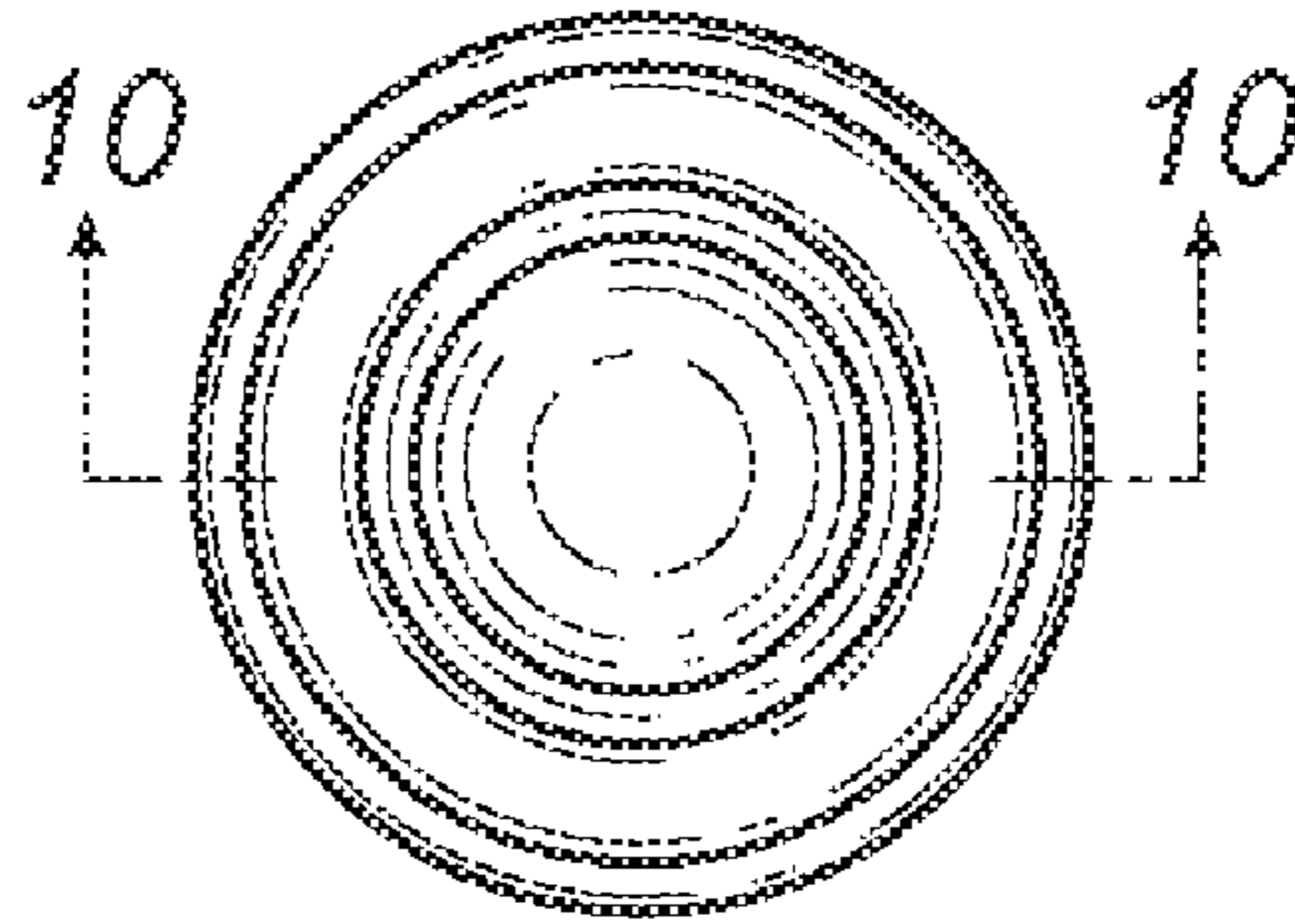


FIG. 8

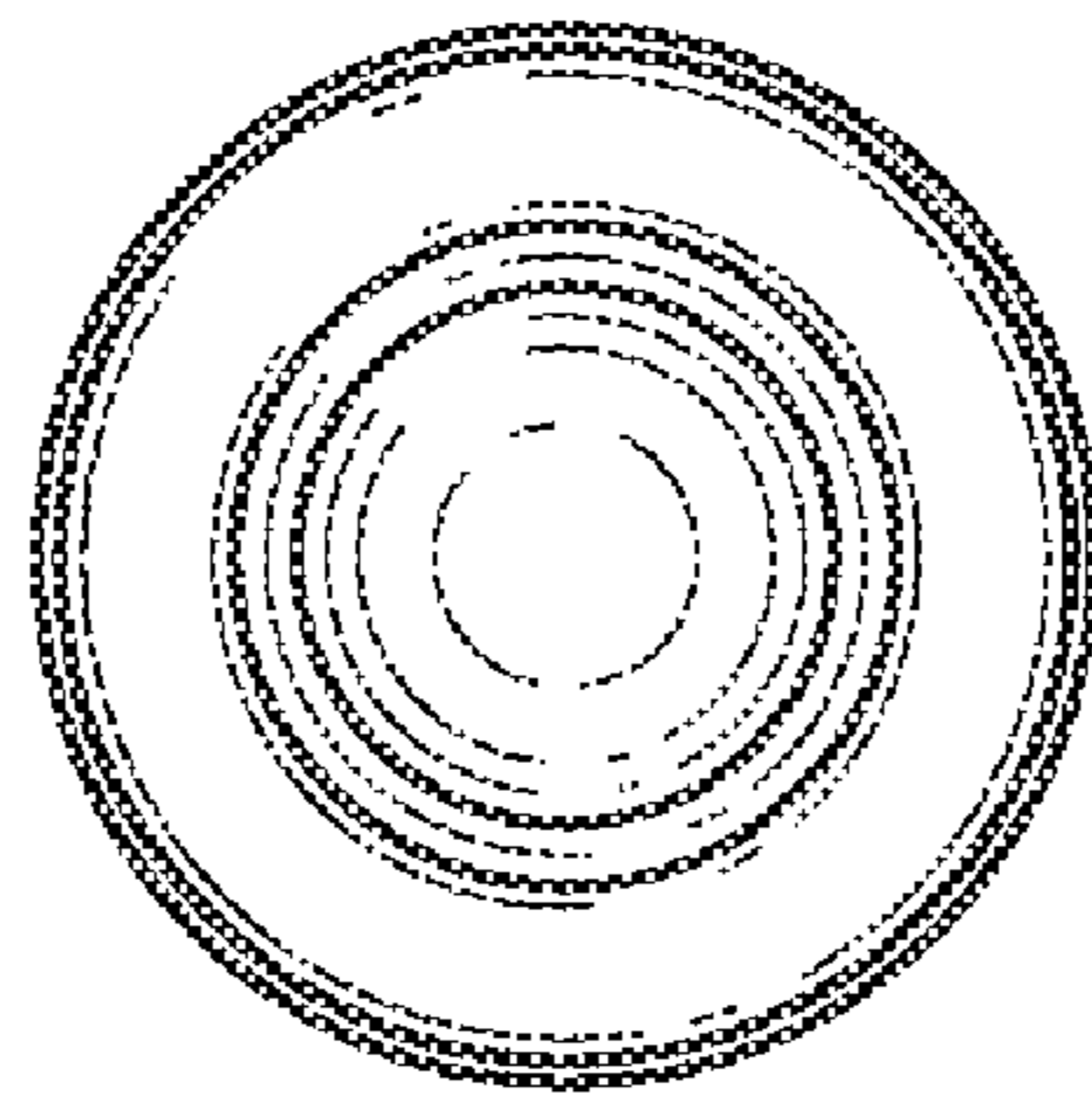


FIG. 9

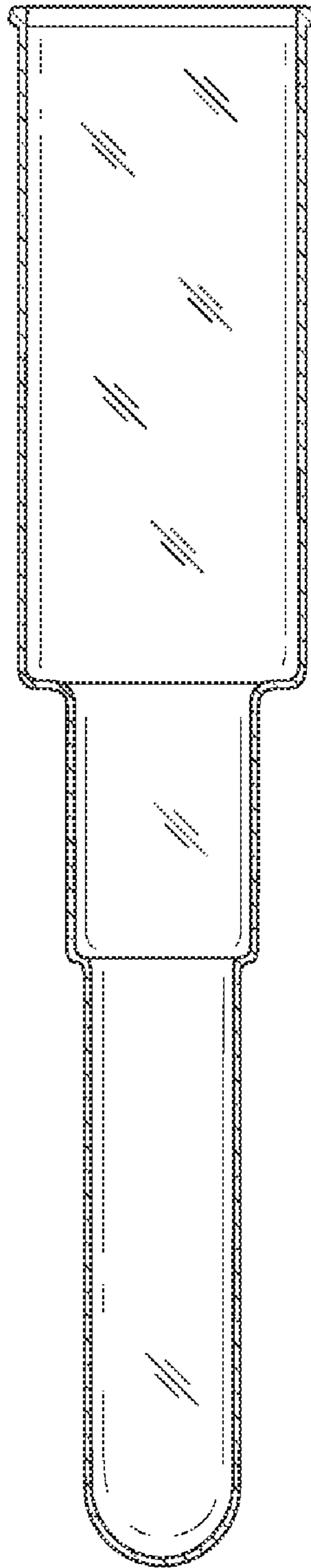


FIG. 10

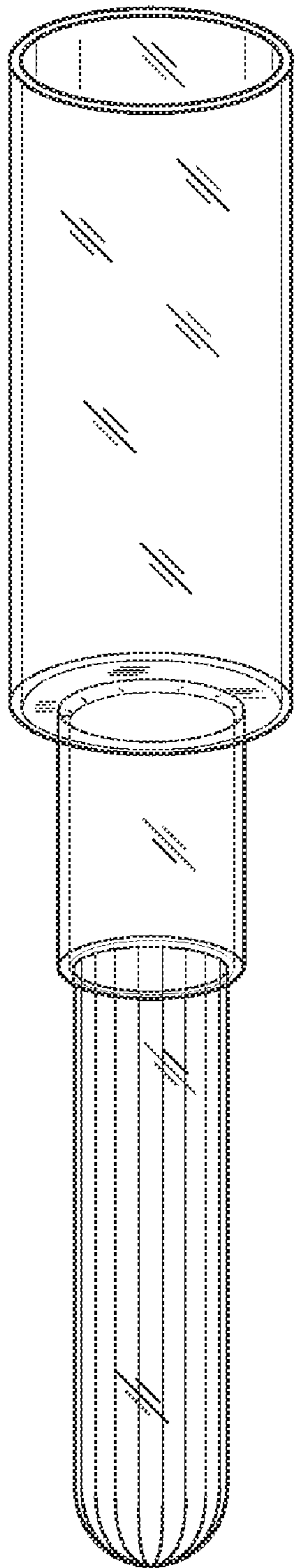


FIG. 11

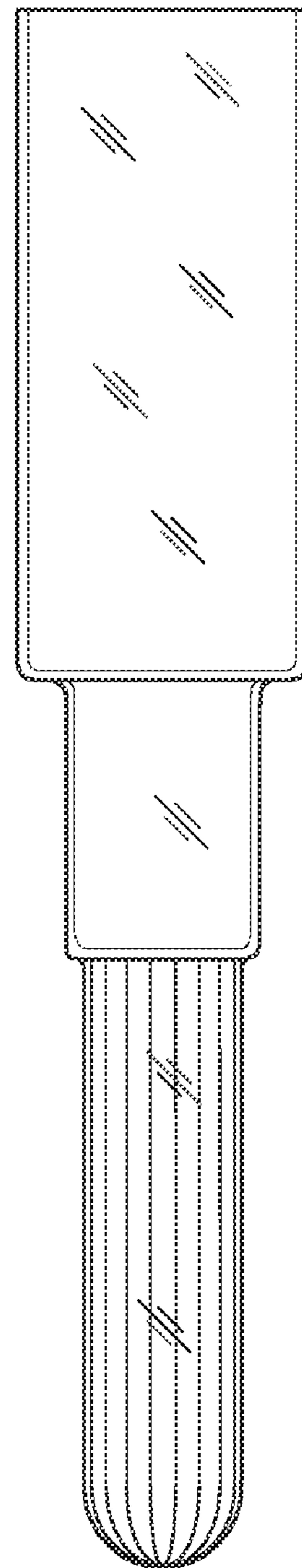


FIG. 12

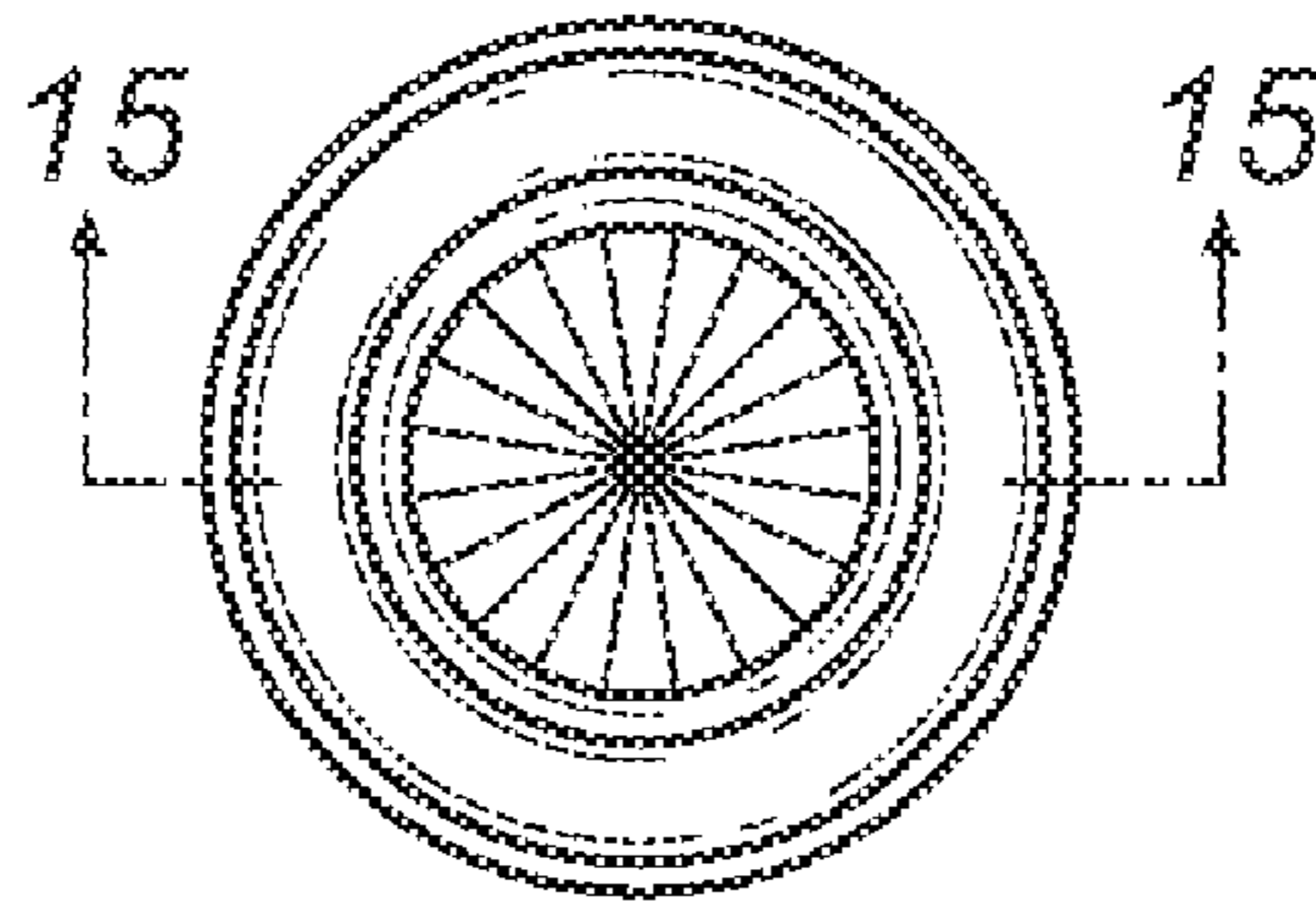


FIG. 13

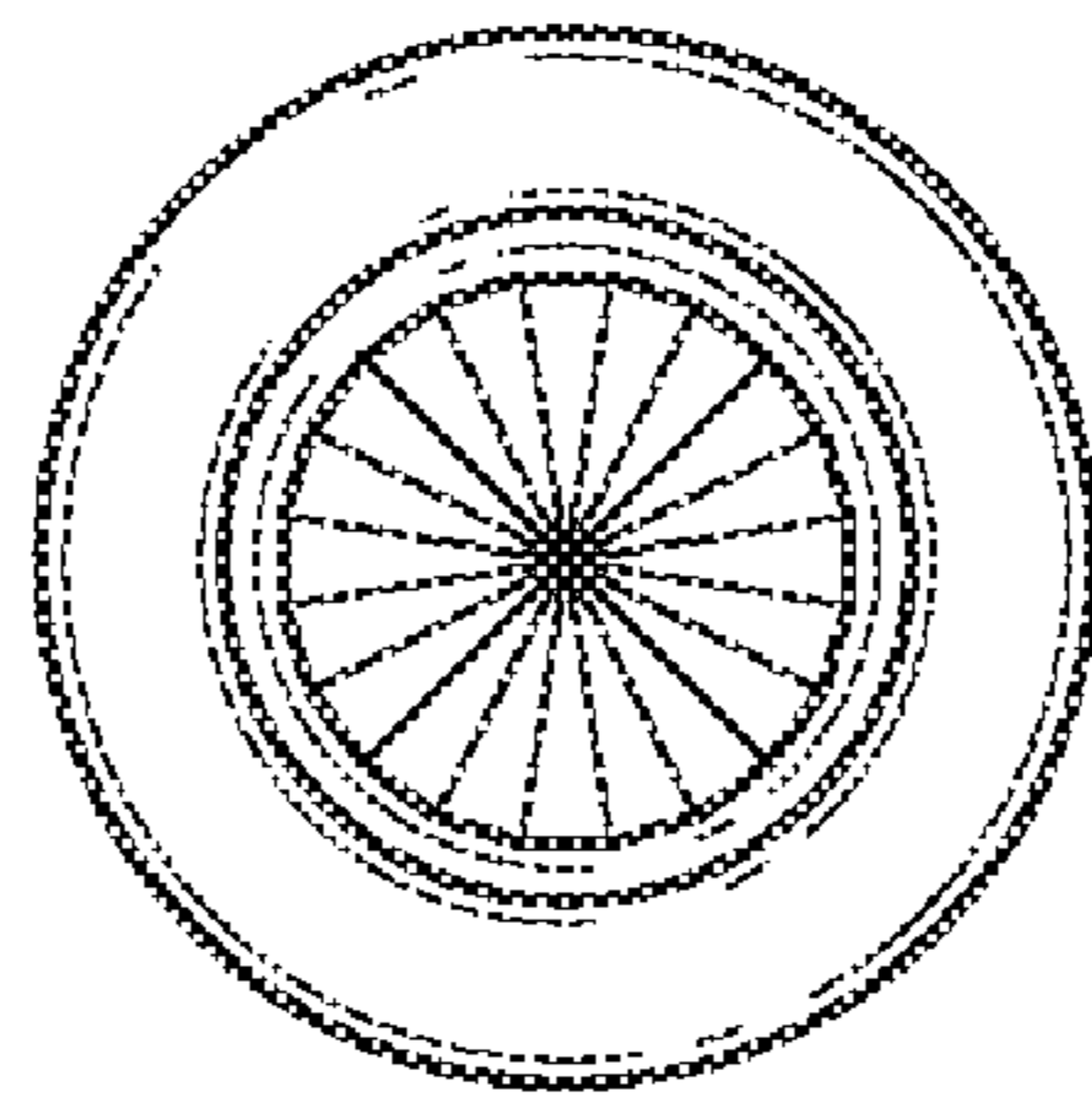


FIG. 14

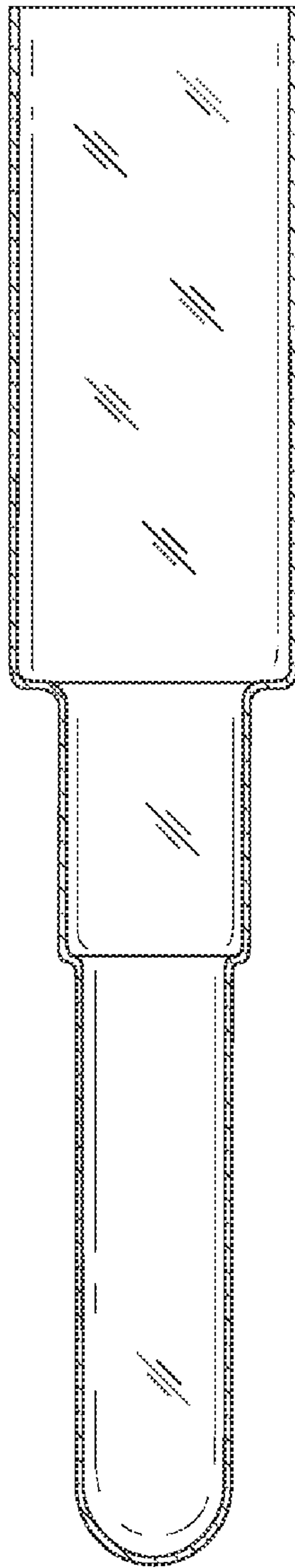


FIG. 15

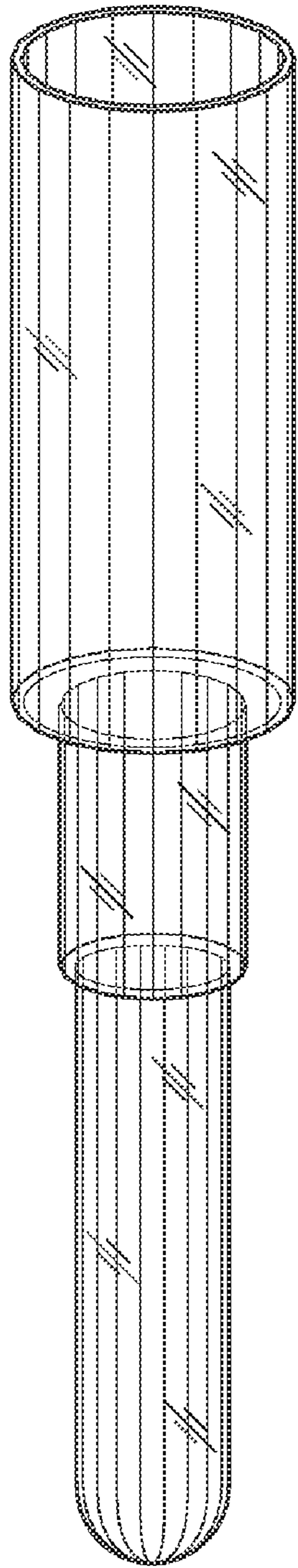


FIG. 16

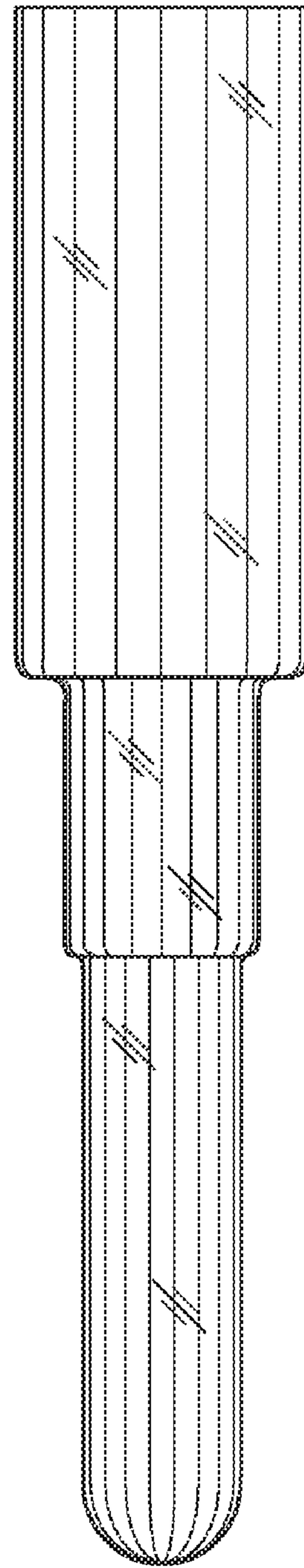


FIG. 17

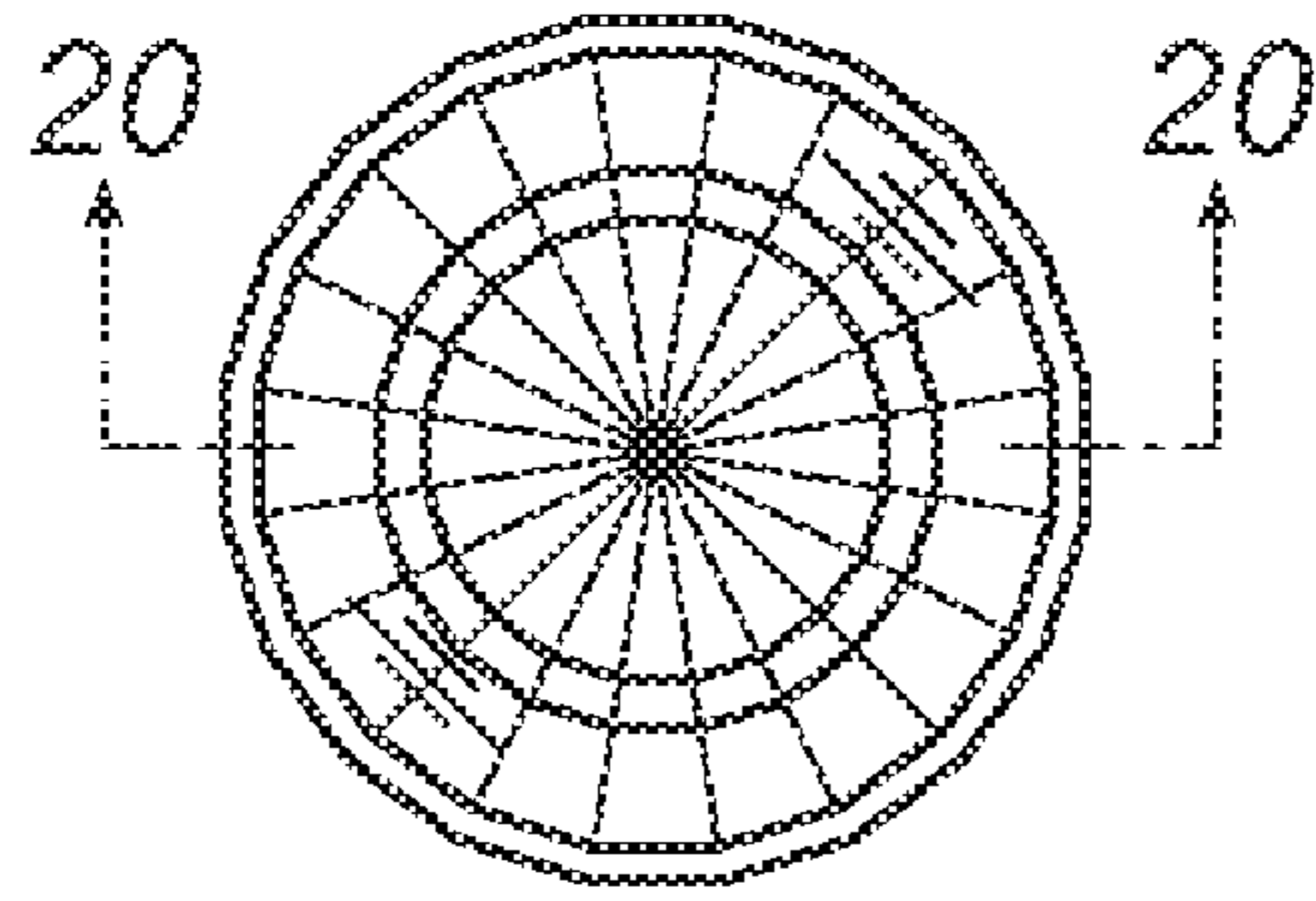


FIG. 18

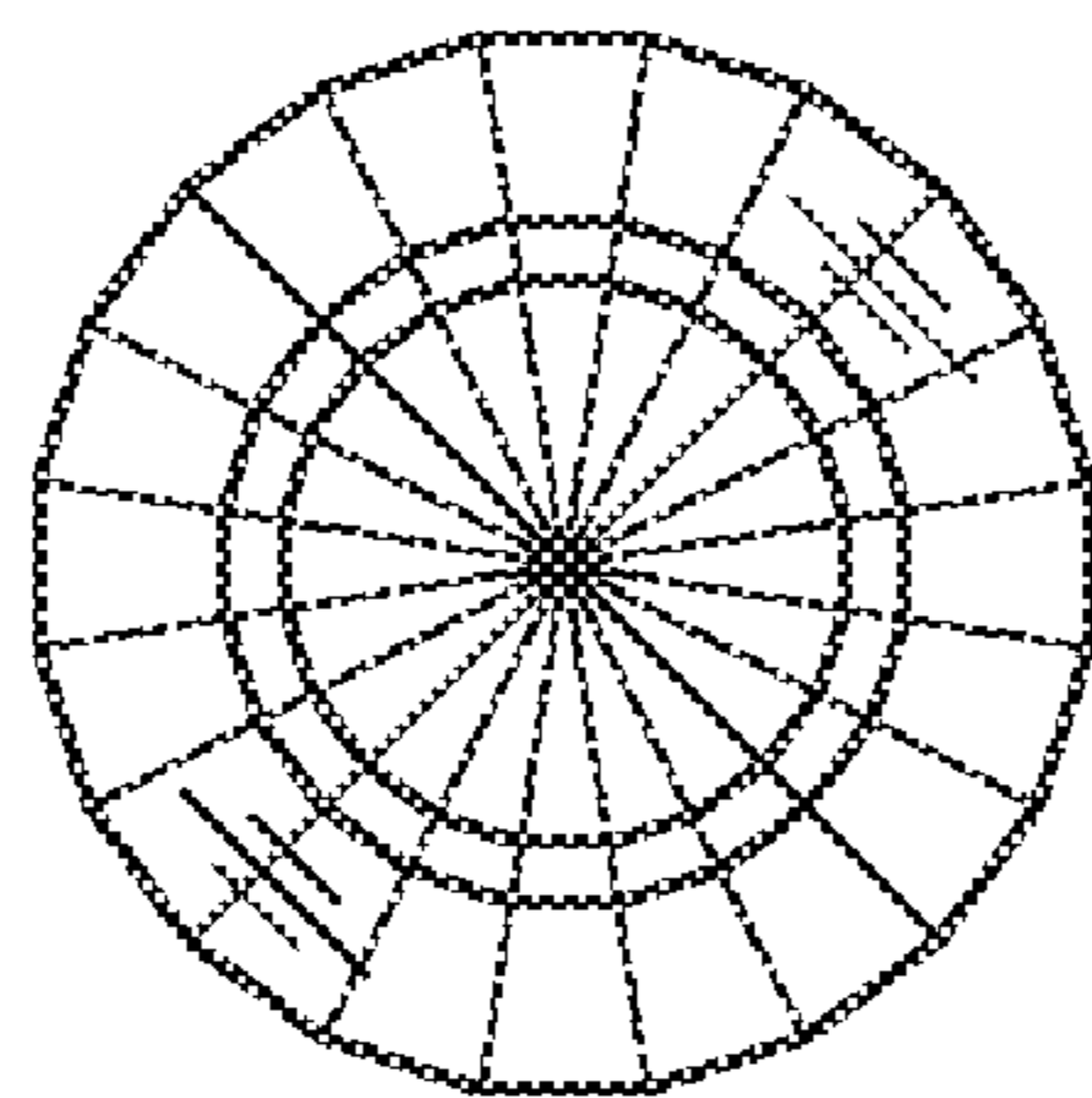


FIG. 19

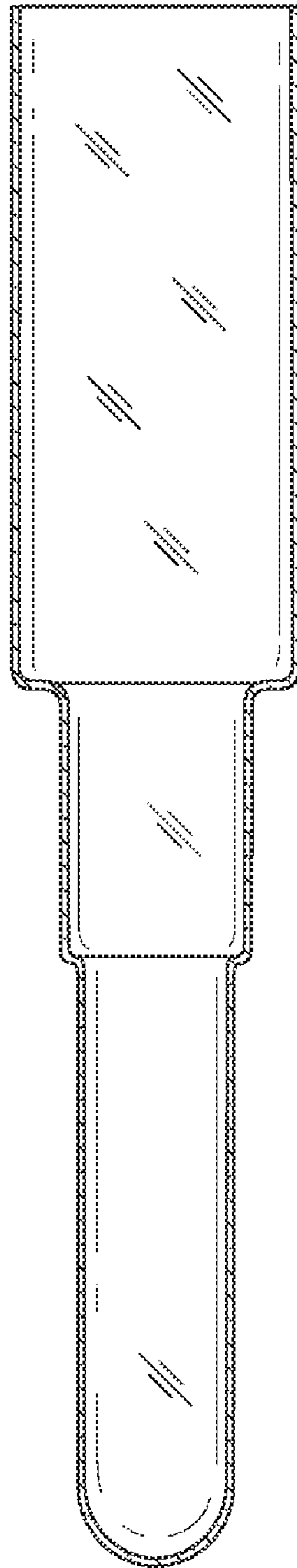


FIG. 20

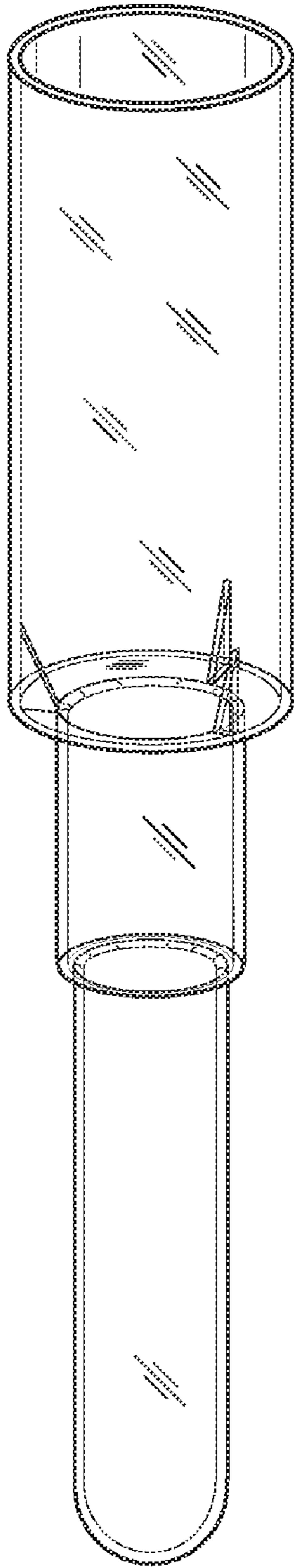


FIG. 21

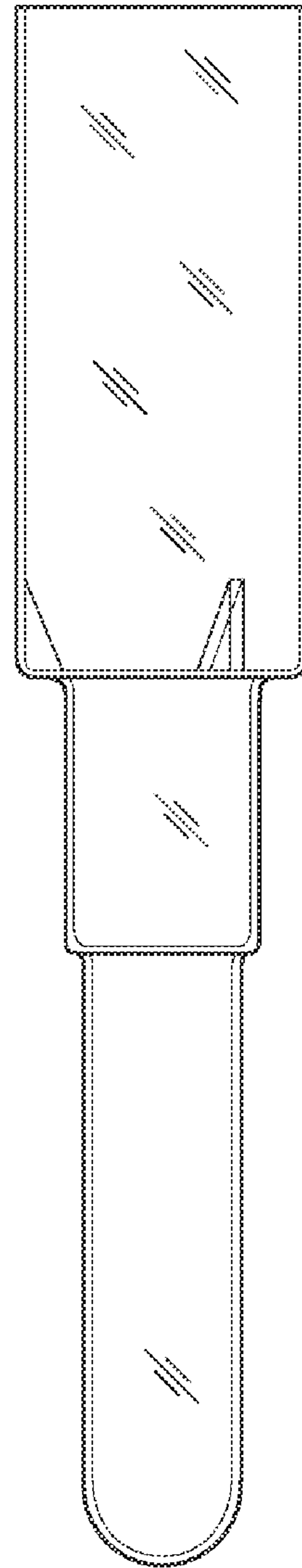


FIG. 22

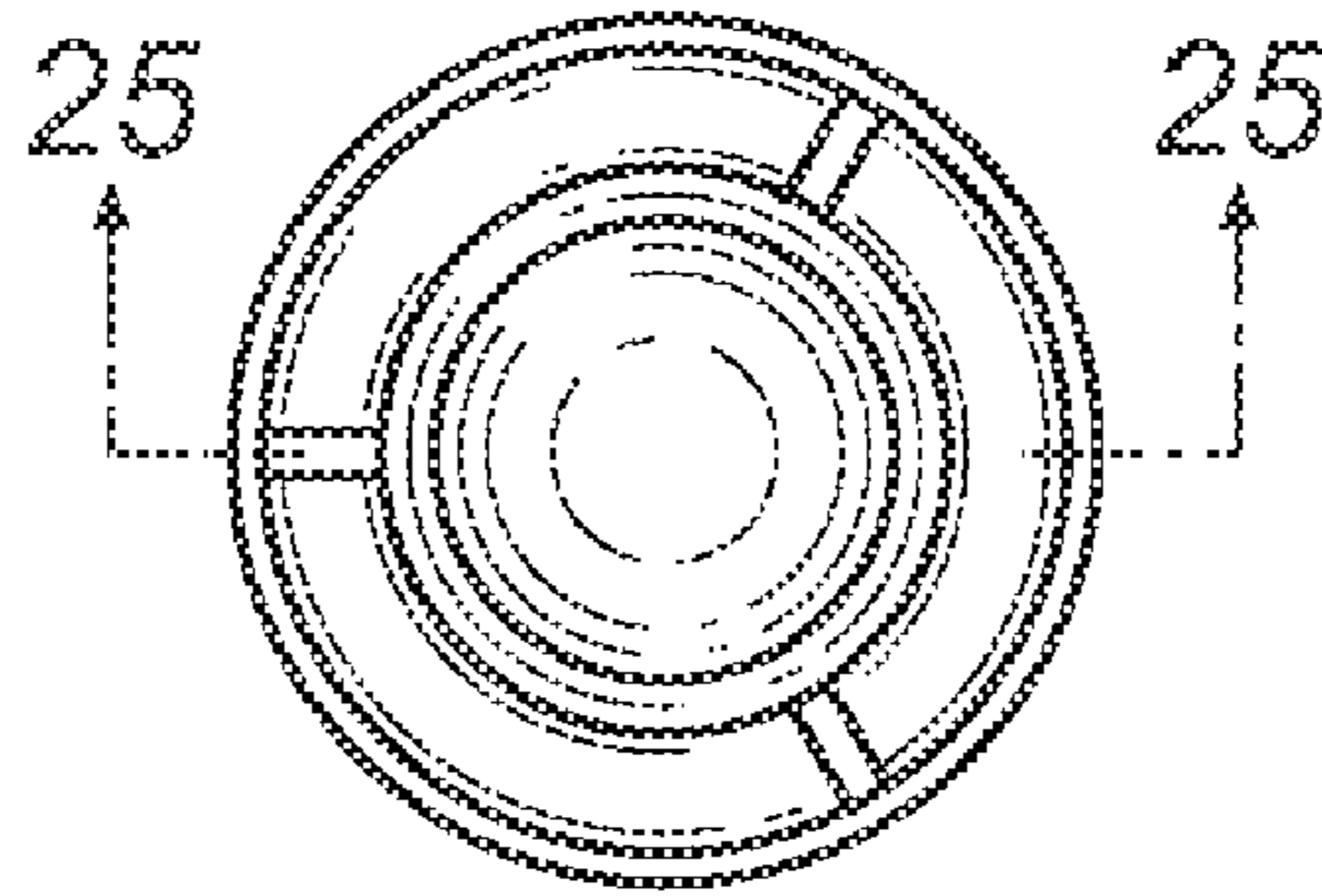


FIG. 23

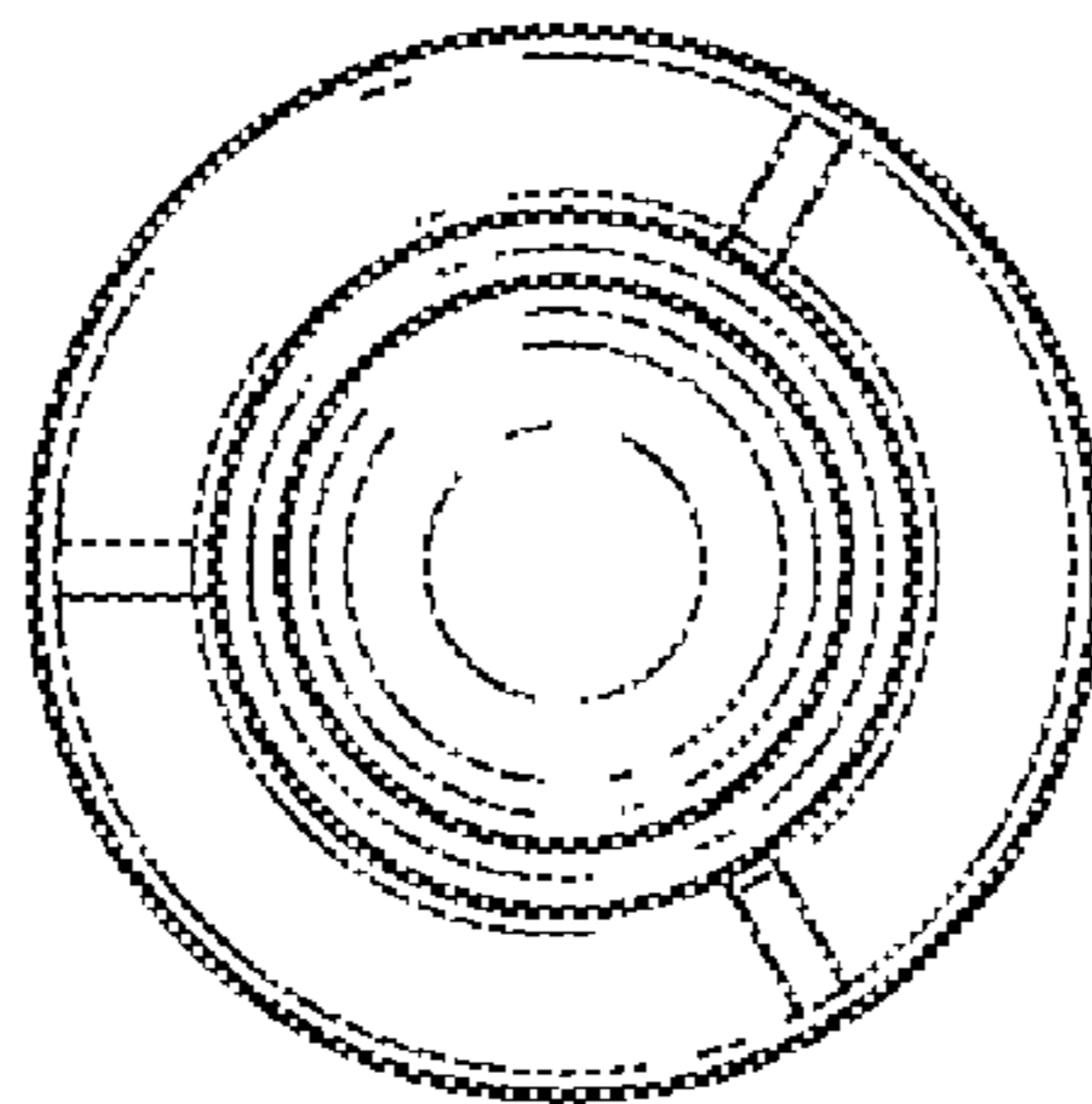


FIG. 24

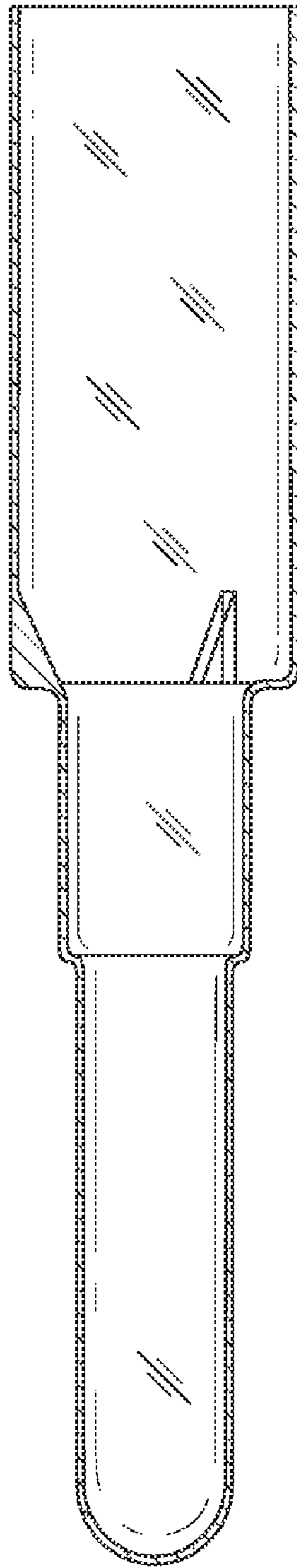


FIG. 25

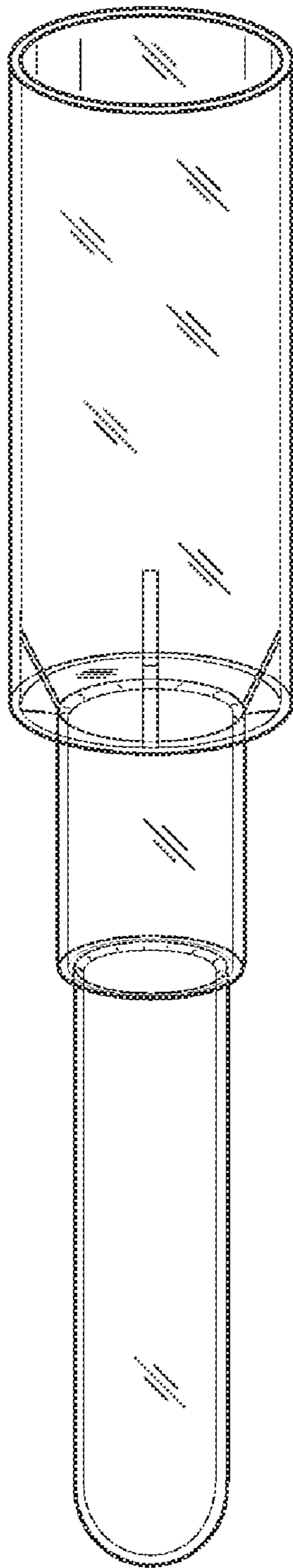


FIG. 26

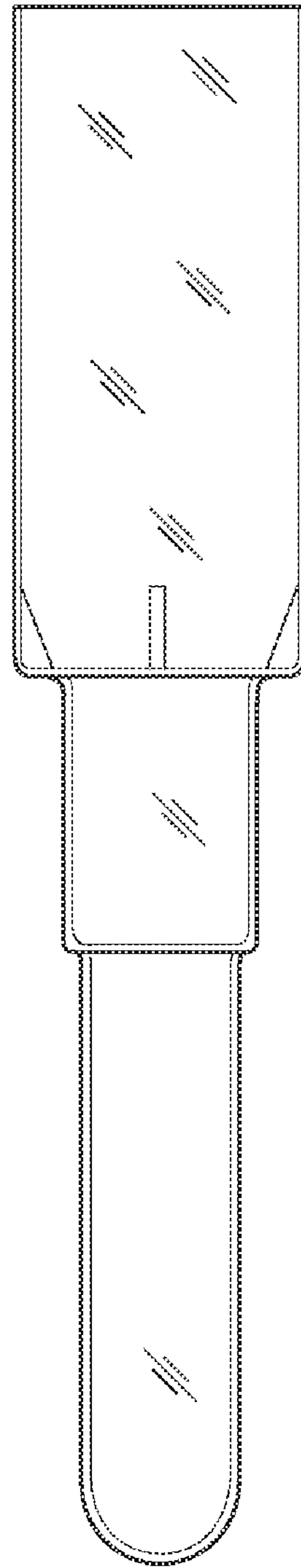


FIG. 27

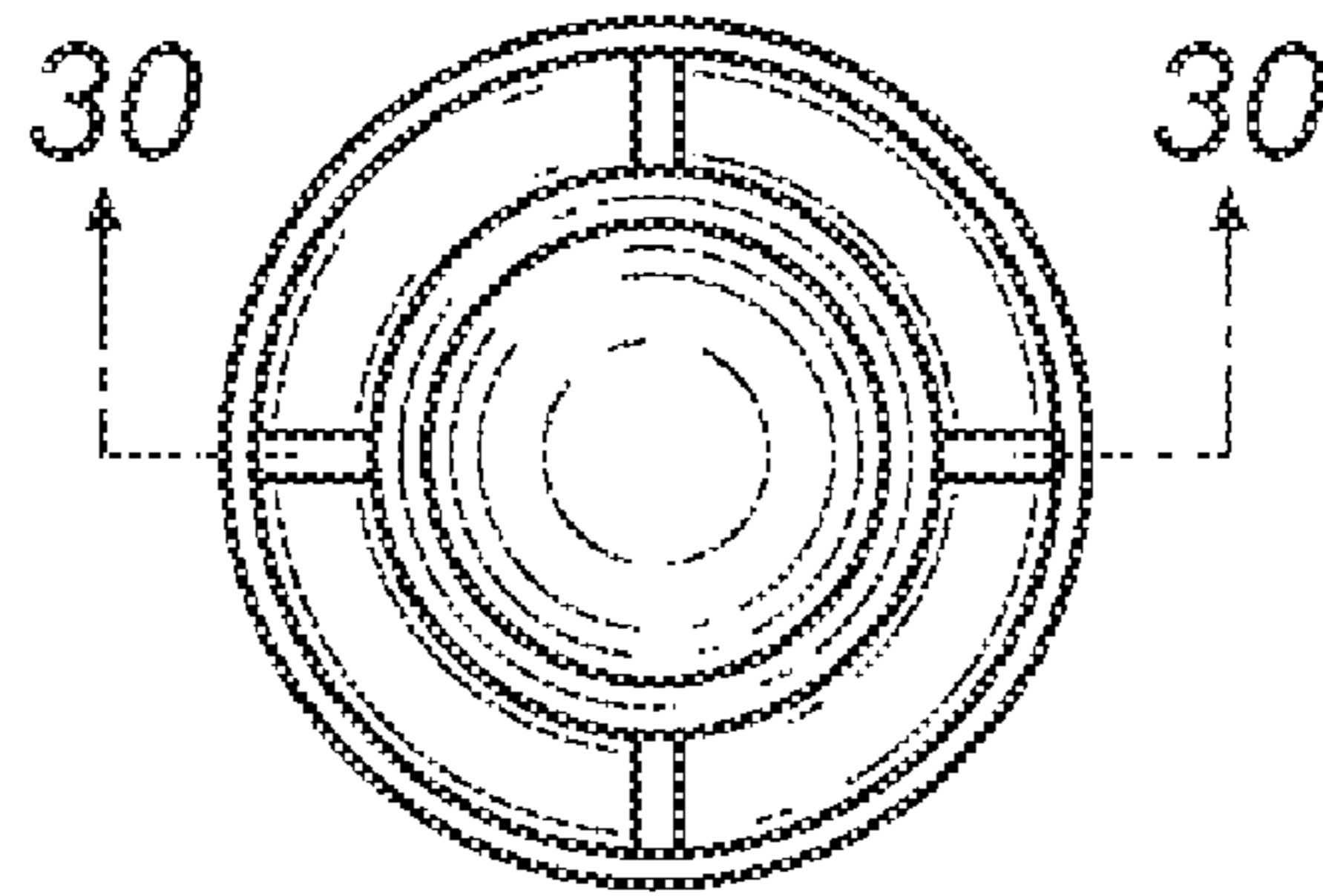


FIG. 28

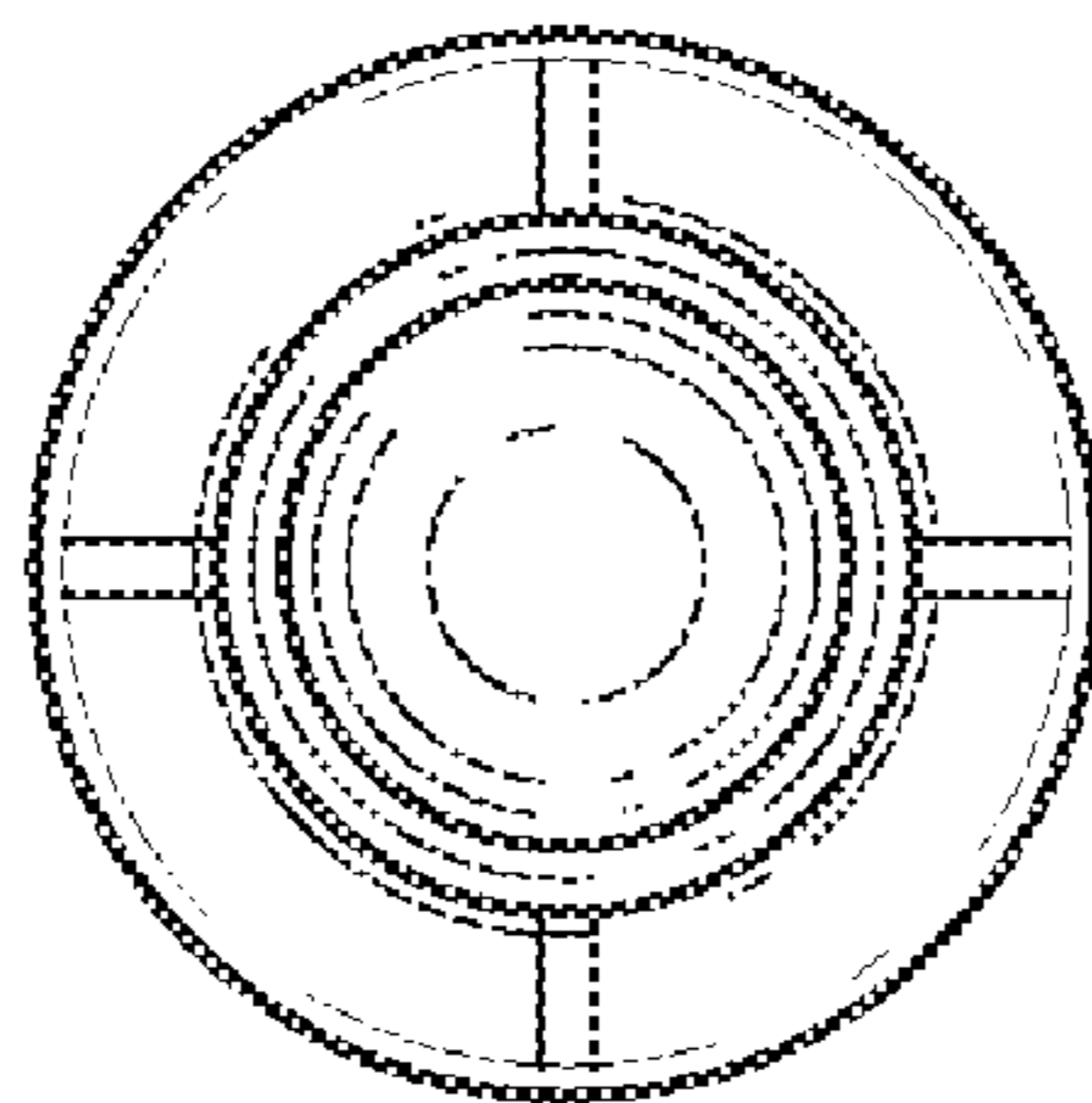


FIG. 29

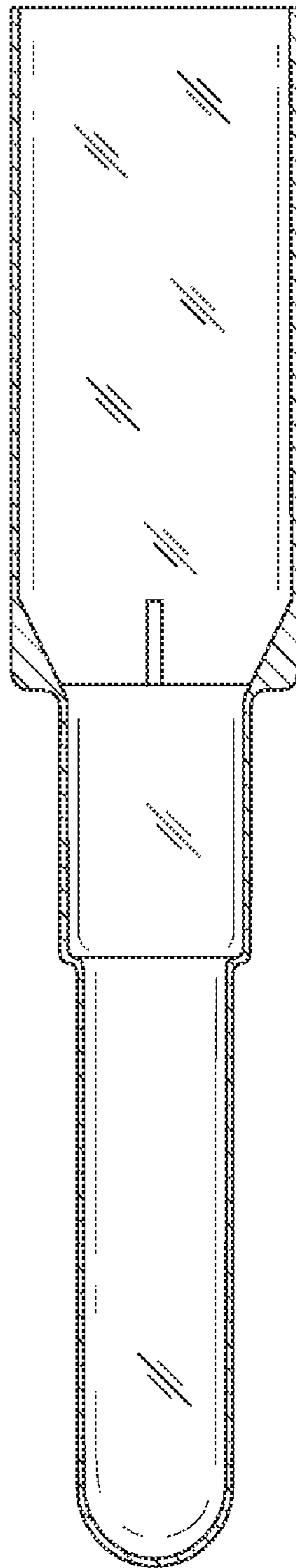


FIG. 30

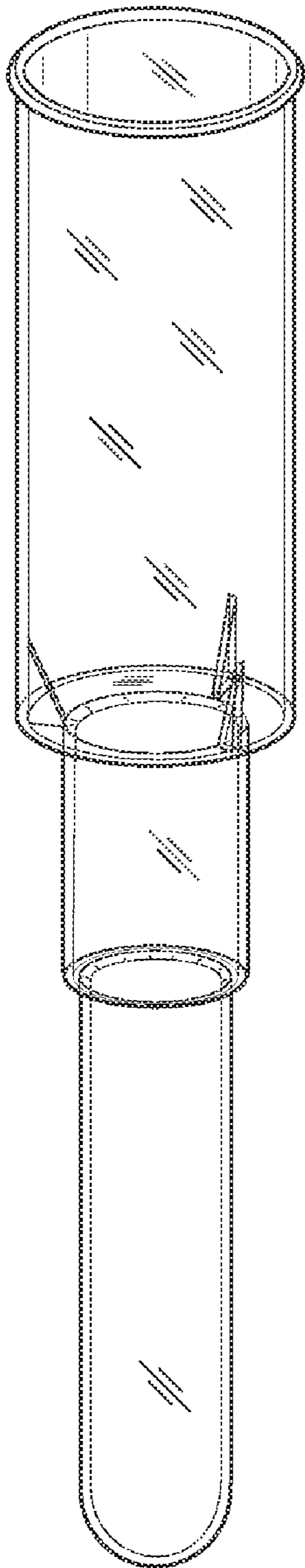


FIG. 31

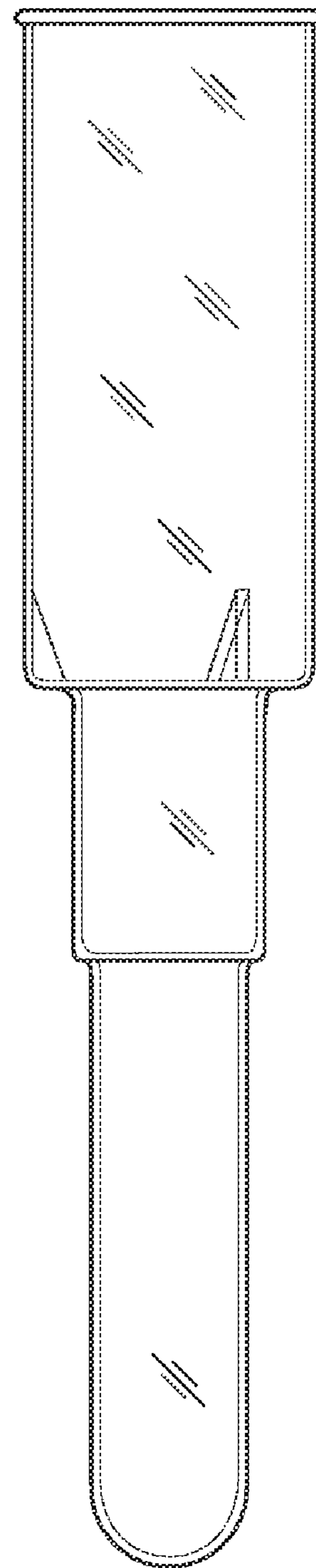


FIG. 32

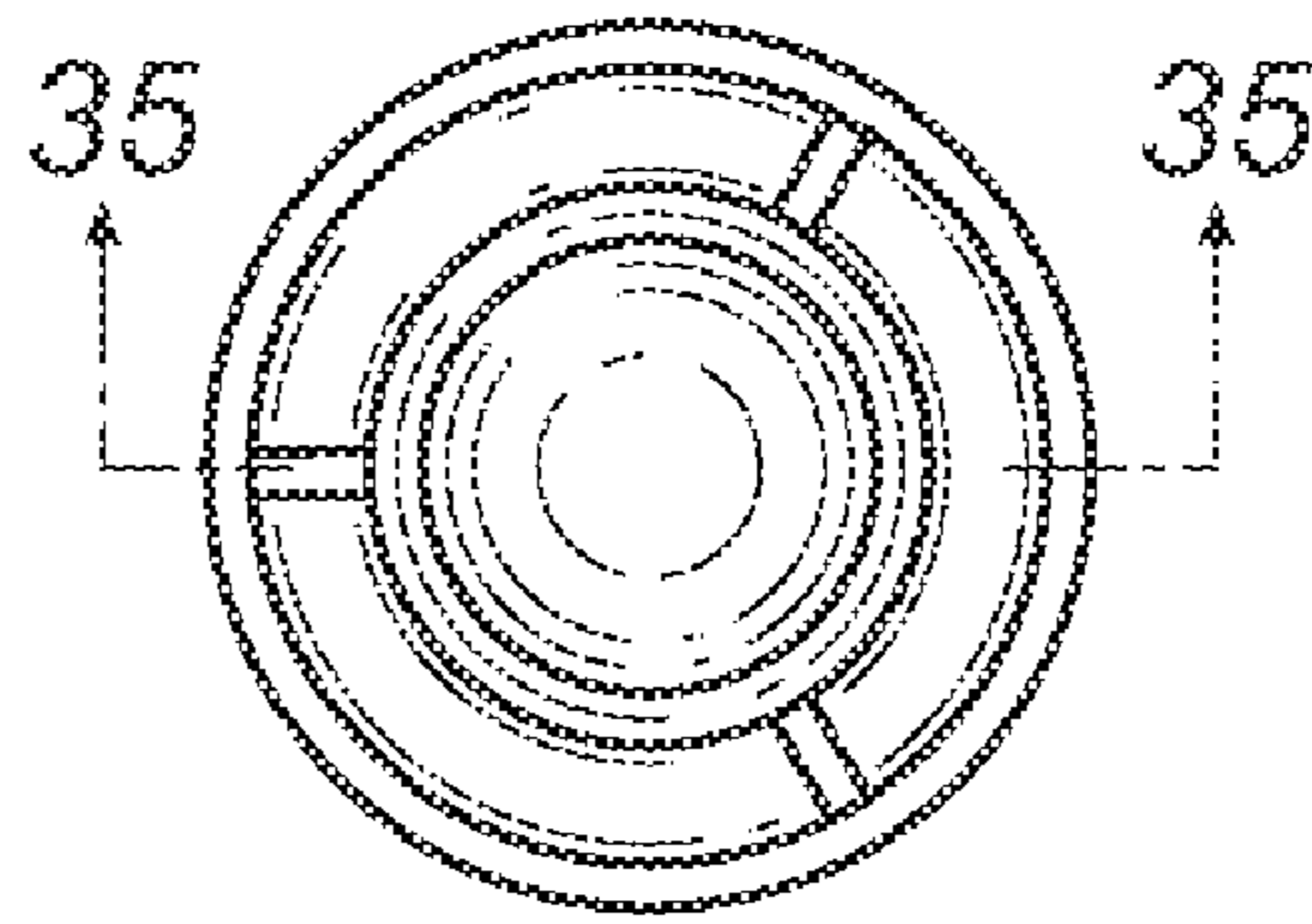


FIG. 33

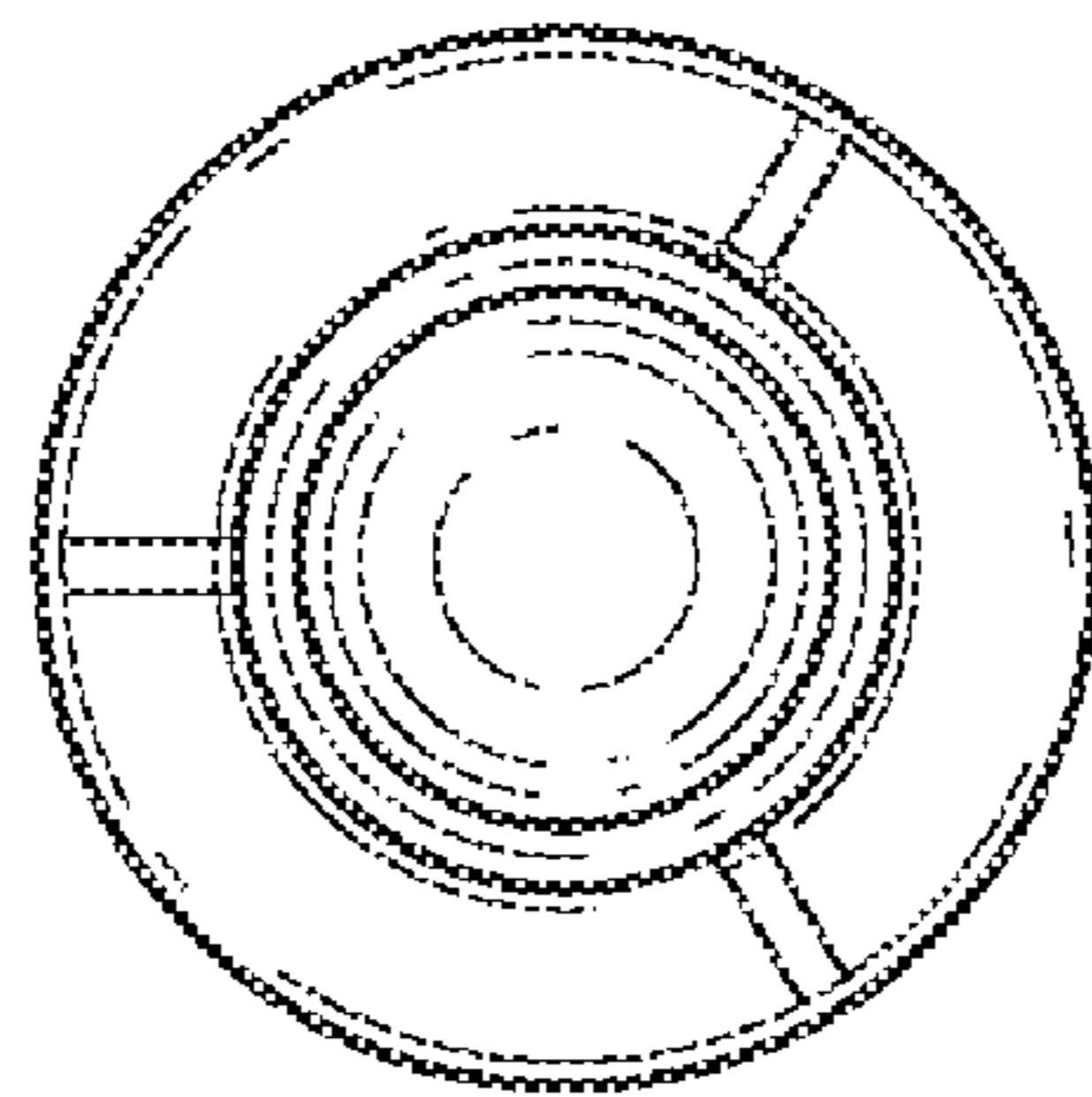


FIG. 34

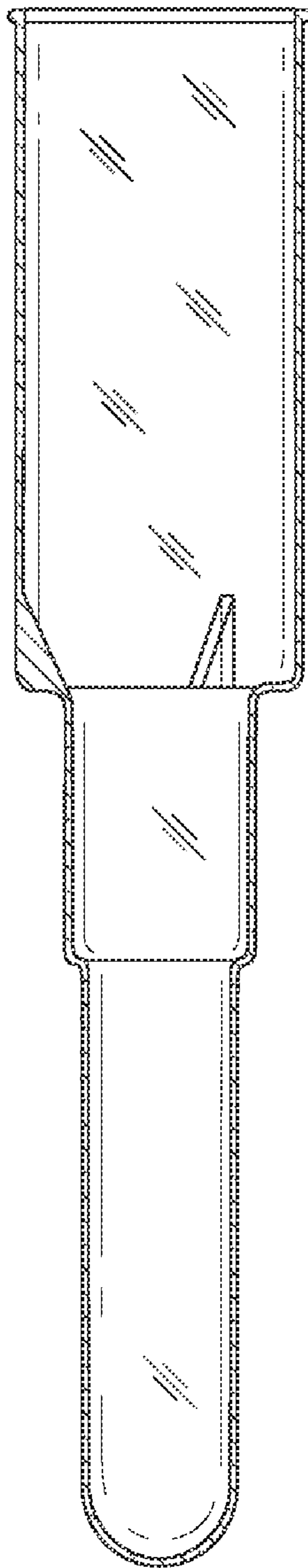


FIG. 35

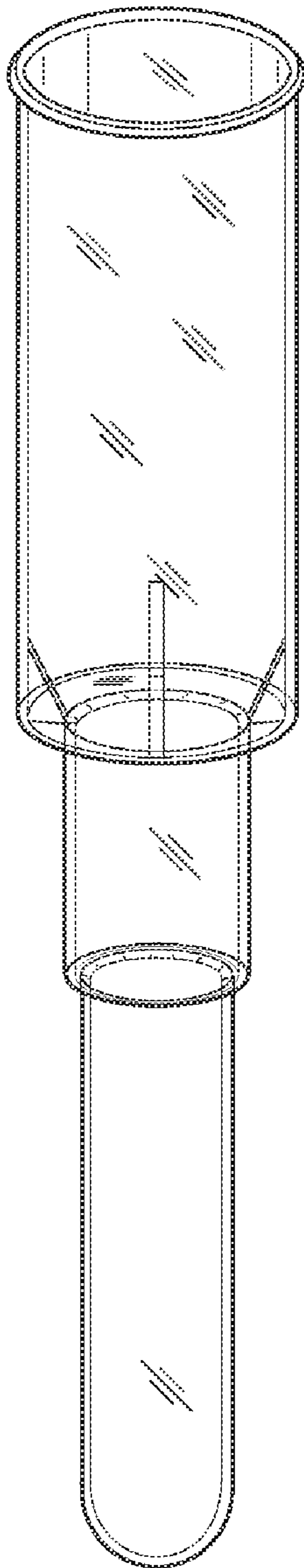


FIG. 36

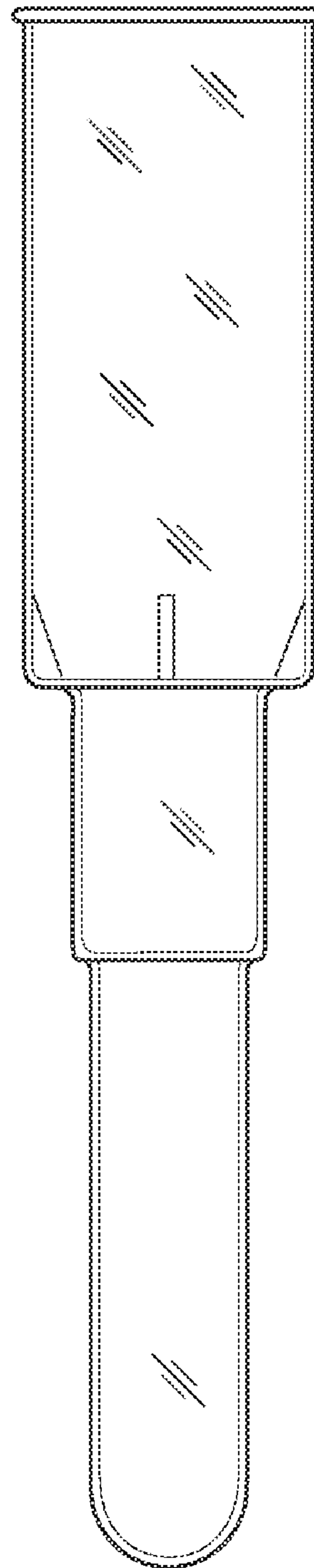


FIG. 37

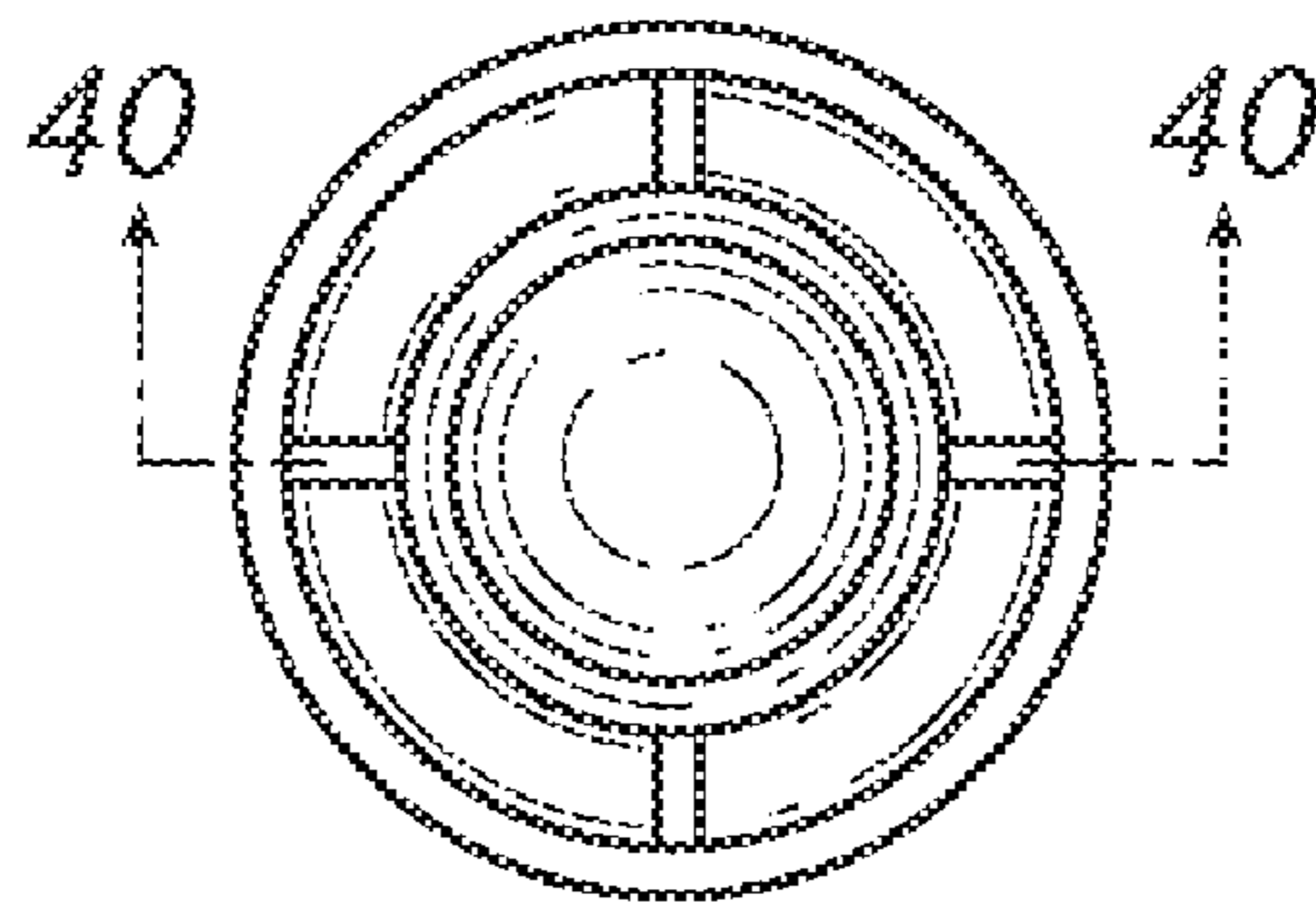


FIG. 38

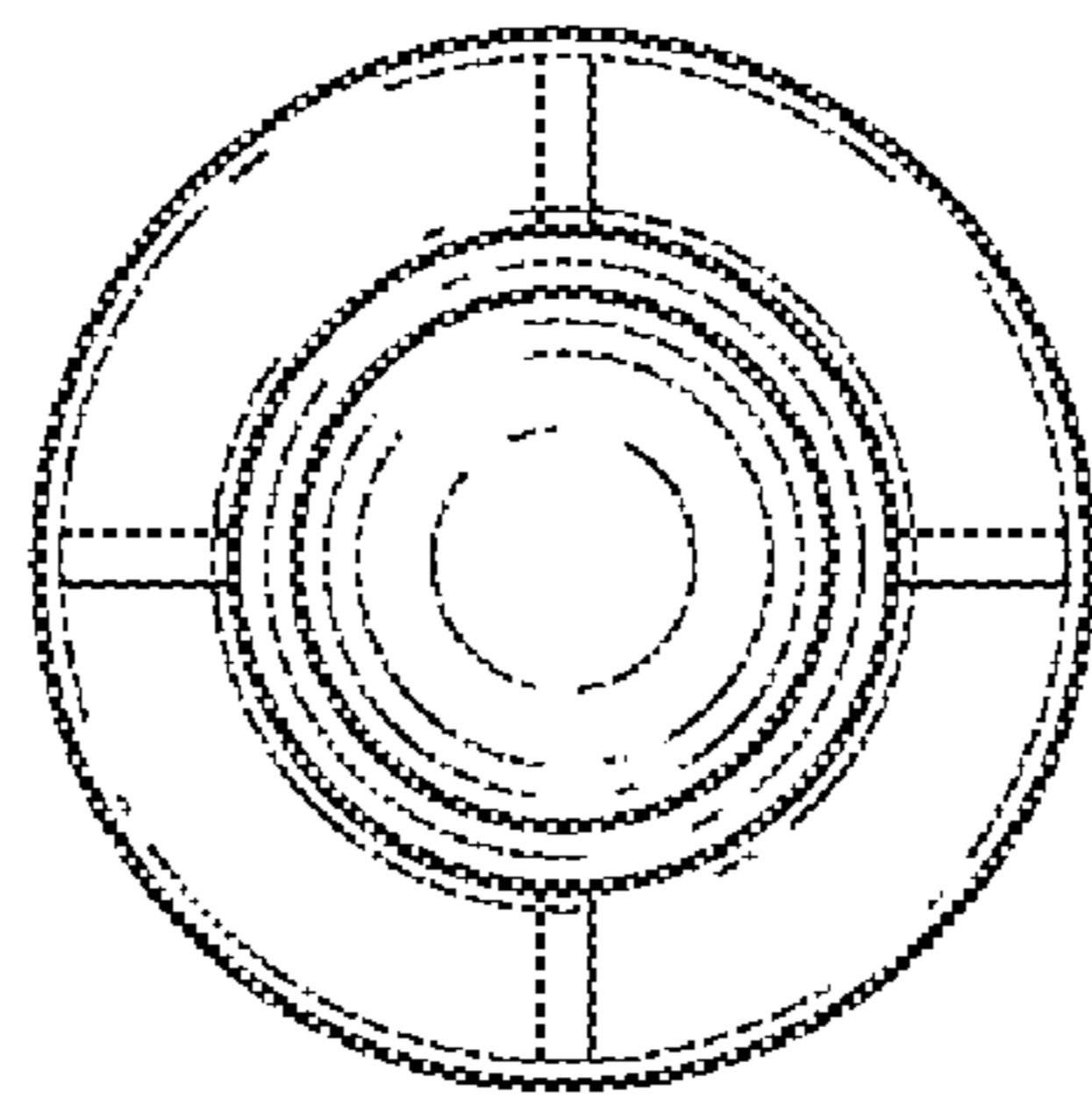


FIG. 39

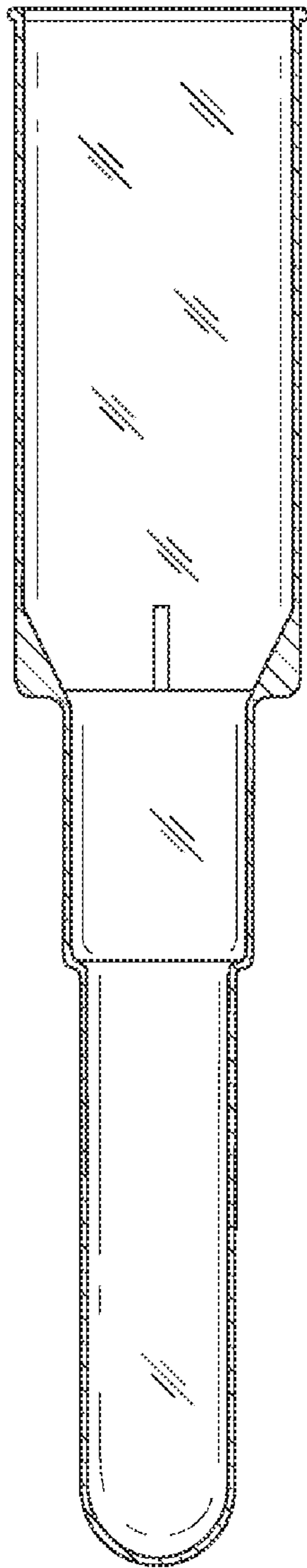


FIG. 40