

US00D560966S

(12) **United States Design Patent**
Pai

(10) **Patent No.:** **US D560,966 S**

(45) **Date of Patent:** **** Feb. 5, 2008**

(54) **STAND FOR A BARBECUE GRILL**

2004/0154603 A1* 8/2004 Crawford et al. 126/25 R
2006/0102162 A1* 5/2006 Chiang 126/25 R

(76) Inventor: **Lucas Pai**, 9F.-1, No. 160, Sec. 1,
Chung-Kang Rd., West Dist., Taichung
City (TW)

* cited by examiner

(**) Term: **14 Years**

Primary Examiner—Ruth McInroy
(74) *Attorney, Agent, or Firm*—Egbert Law Offices

(21) Appl. No.: **29/262,226**

(57) **CLAIM**

(22) Filed: **Jun. 29, 2006**

I claim the ornamental design for a stand for a barbecue grill,
as shown and described.

(51) **LOC (8) Cl.** **07-02**

(52) **U.S. Cl.** **D7/403**

(58) **Field of Classification Search** D7/332,
D7/334-337, 402-404; D6/419, 486, 495;
126/25 R, 25 A, 25 AA, 37 R, 38, 41 R,
126/40, 50, 39 B, 268, 276, 9 R; 99/449,
99/481, 482; 312/236, 223.1

See application file for complete search history.

DESCRIPTION

FIG. 1 is an upper perspective view of the stand for a
barbecue grill showing my design.

FIG. 2 is a front view thereof;

FIG. 3 is a back view thereof;

FIG. 4 is a side view thereof;

FIG. 5 is an opposite side view thereof;

FIG. 6 is a top plan view thereof;

FIG. 7 is a bottom view thereof; and,

FIG. 8 is another upper perspective view thereof, showing
attachment to a grill unit in broken lines.

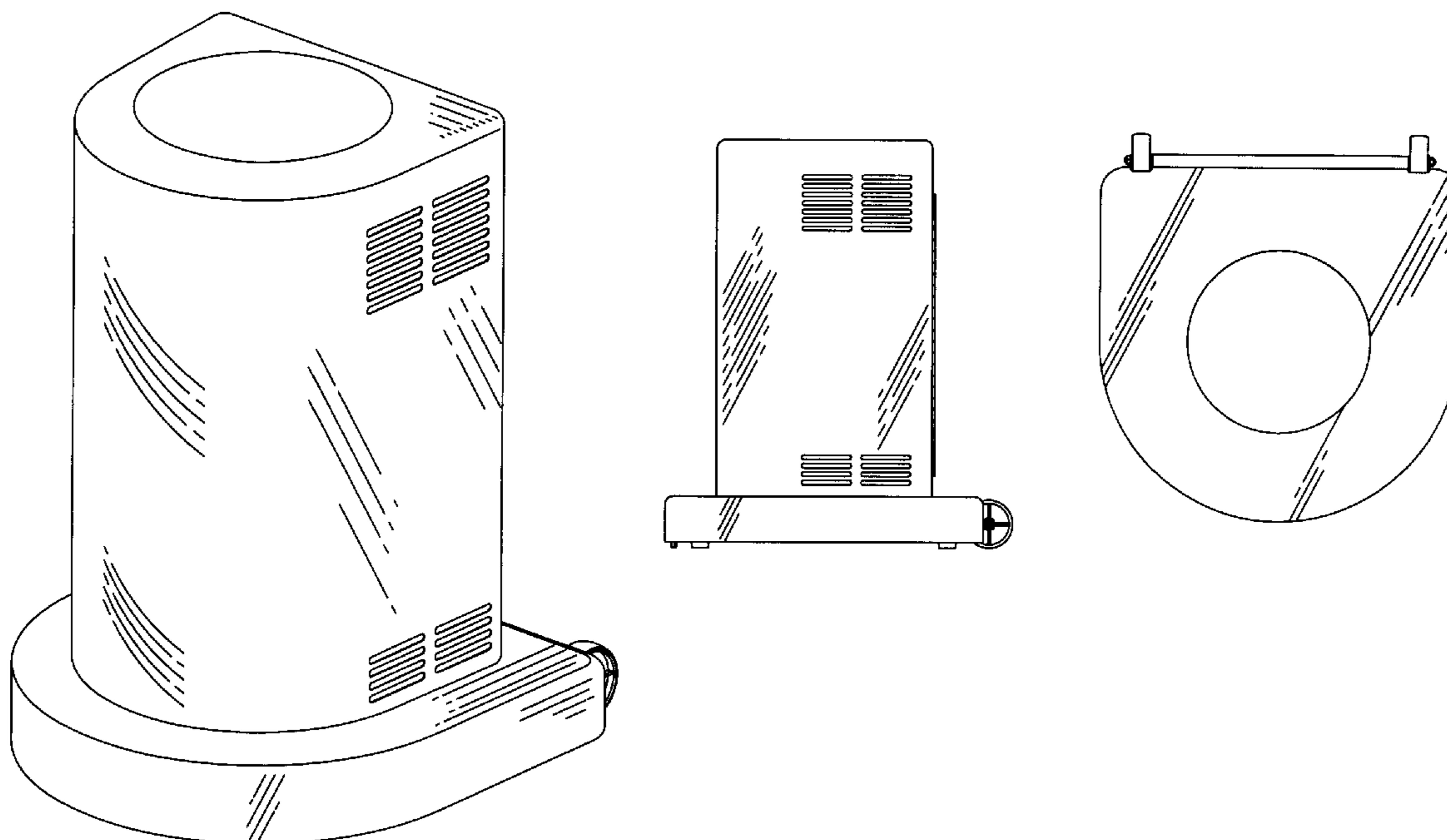
The broken lines are presented for illustrative purposes only
and form no part of the claimed design.

(56) **References Cited**

U.S. PATENT DOCUMENTS

5,813,394	A *	9/1998	Clifford	126/41 R
D410,173	S *	5/1999	Best	D7/403
6,119,679	A *	9/2000	Galvin	126/41 R
D438,750	S *	3/2001	Mashburn et al.	D7/335
6,615,821	B1 *	9/2003	Fisenko	126/25 R
D480,596	S *	10/2003	Dellinger et al.	D7/335
D520,802	S *	5/2006	McLemore et al.	D7/335
D548,514	S *	8/2007	Huang	D7/335

1 Claim, 5 Drawing Sheets



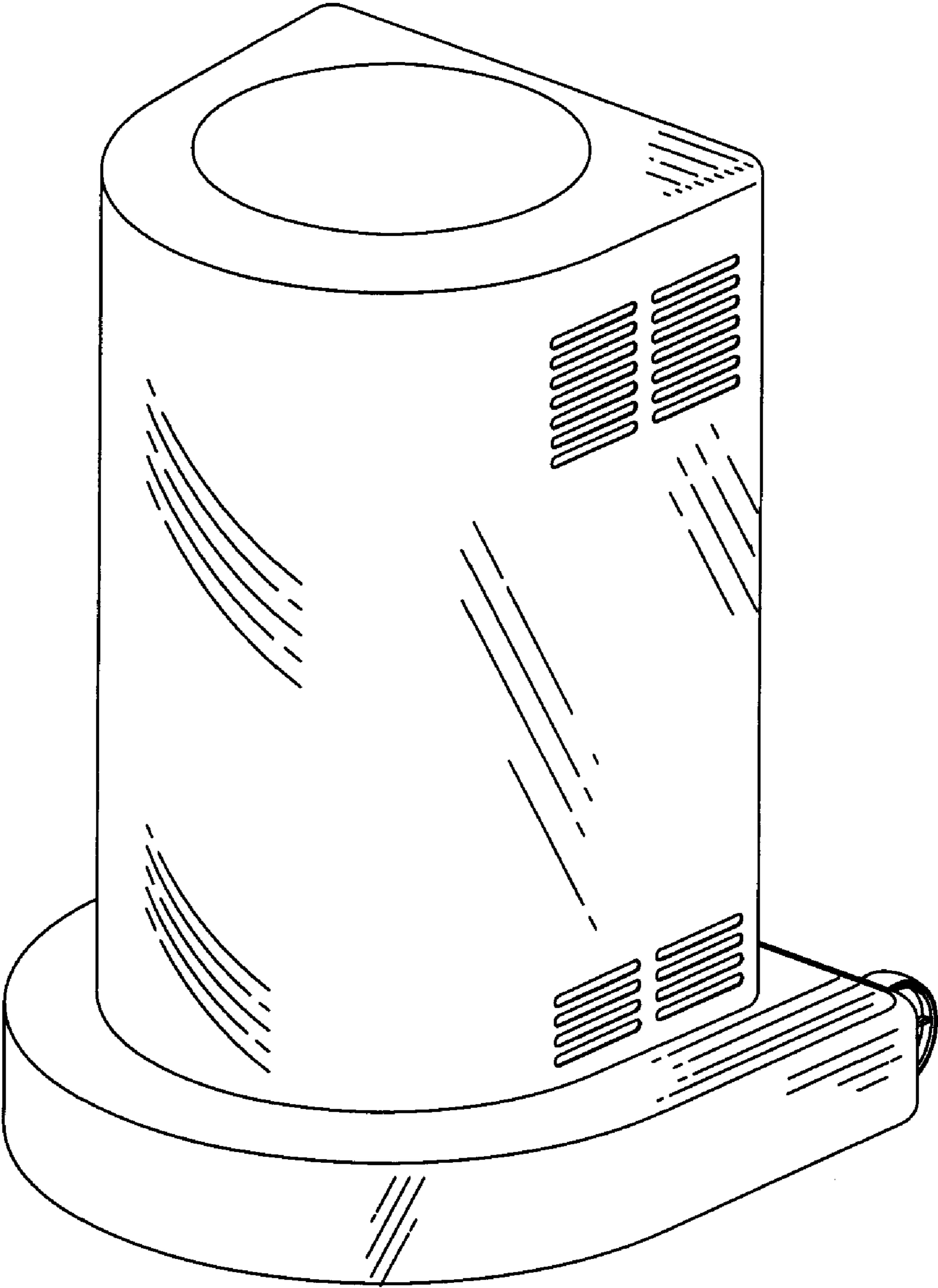


FIG.1

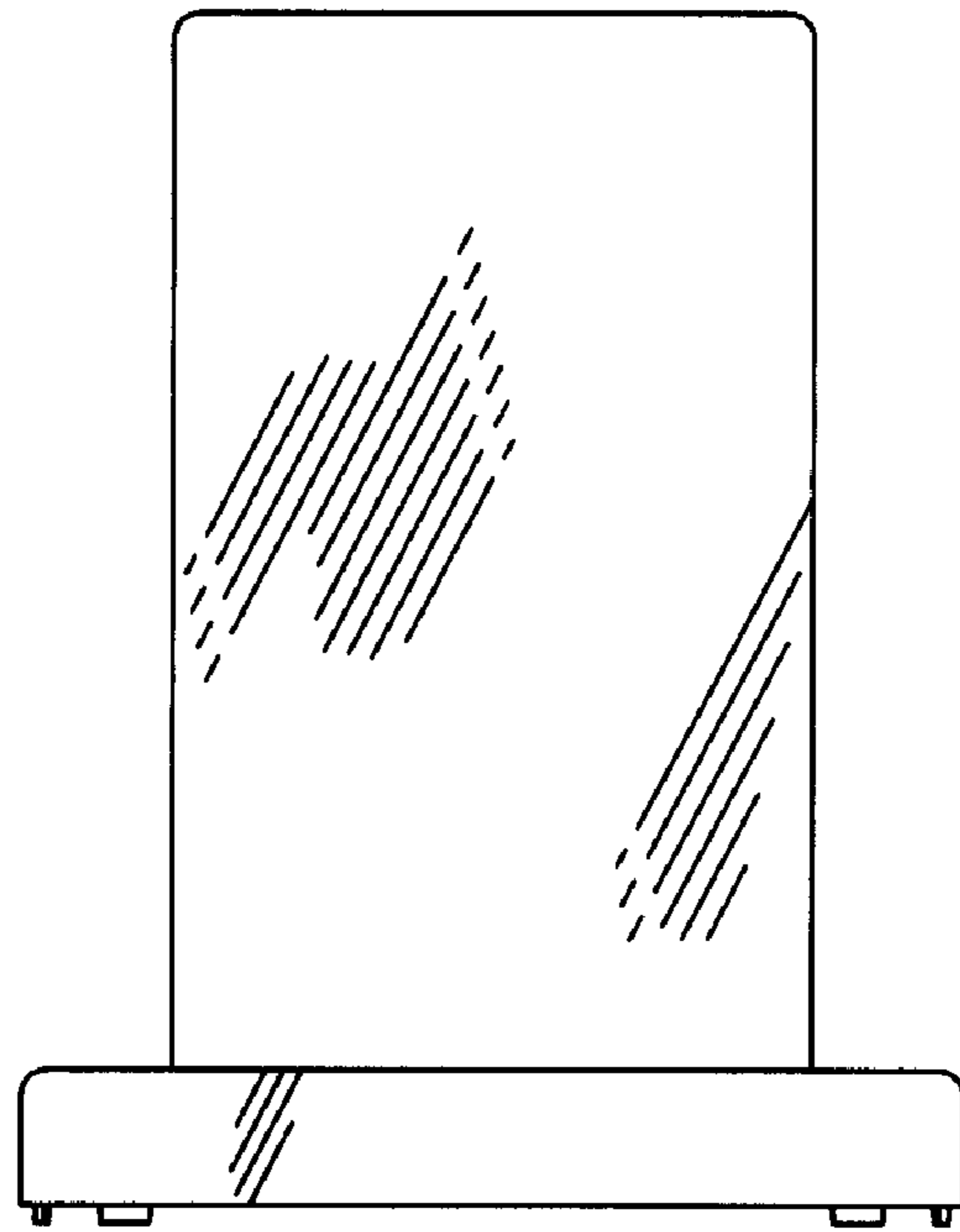


FIG. 2

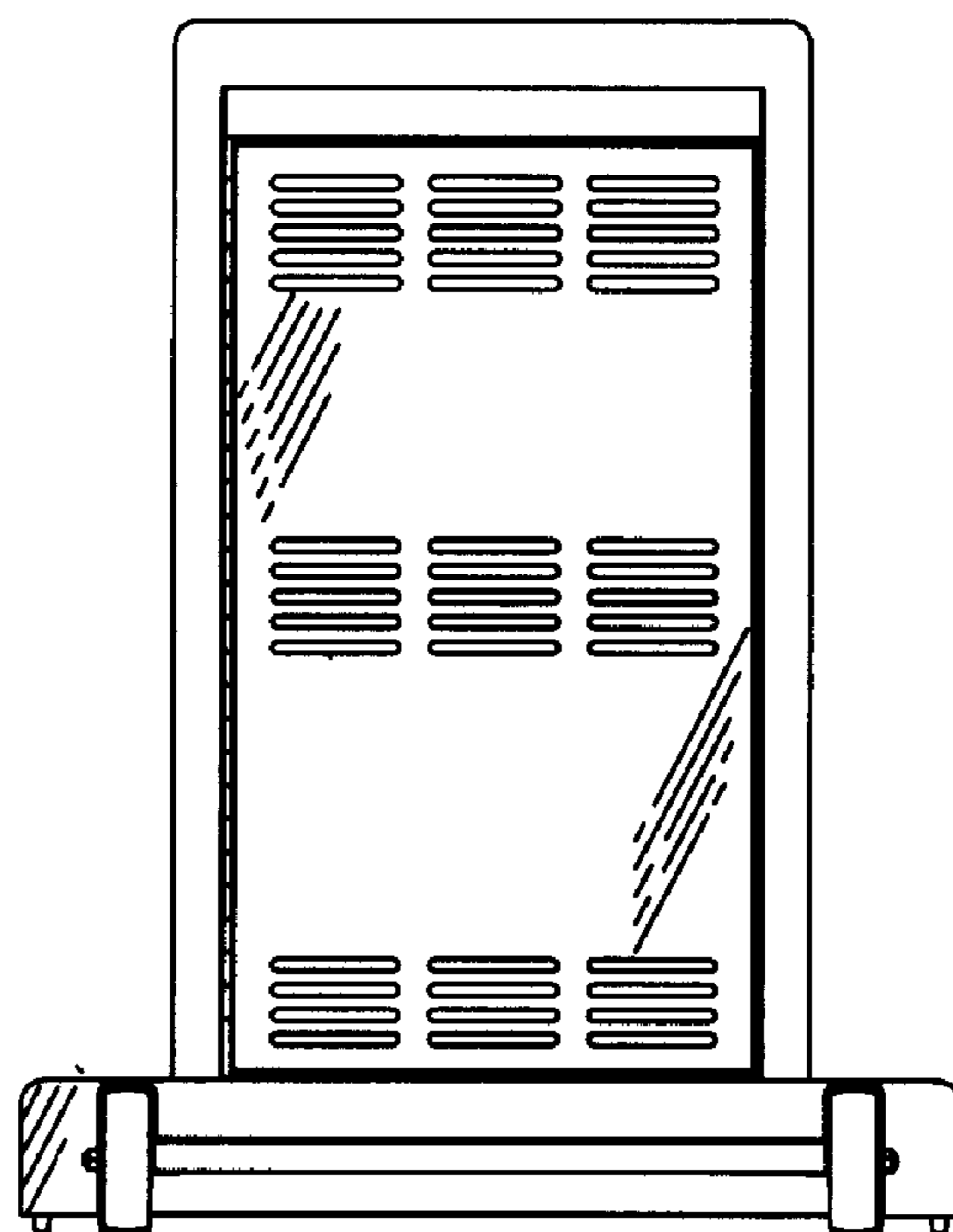


FIG. 3

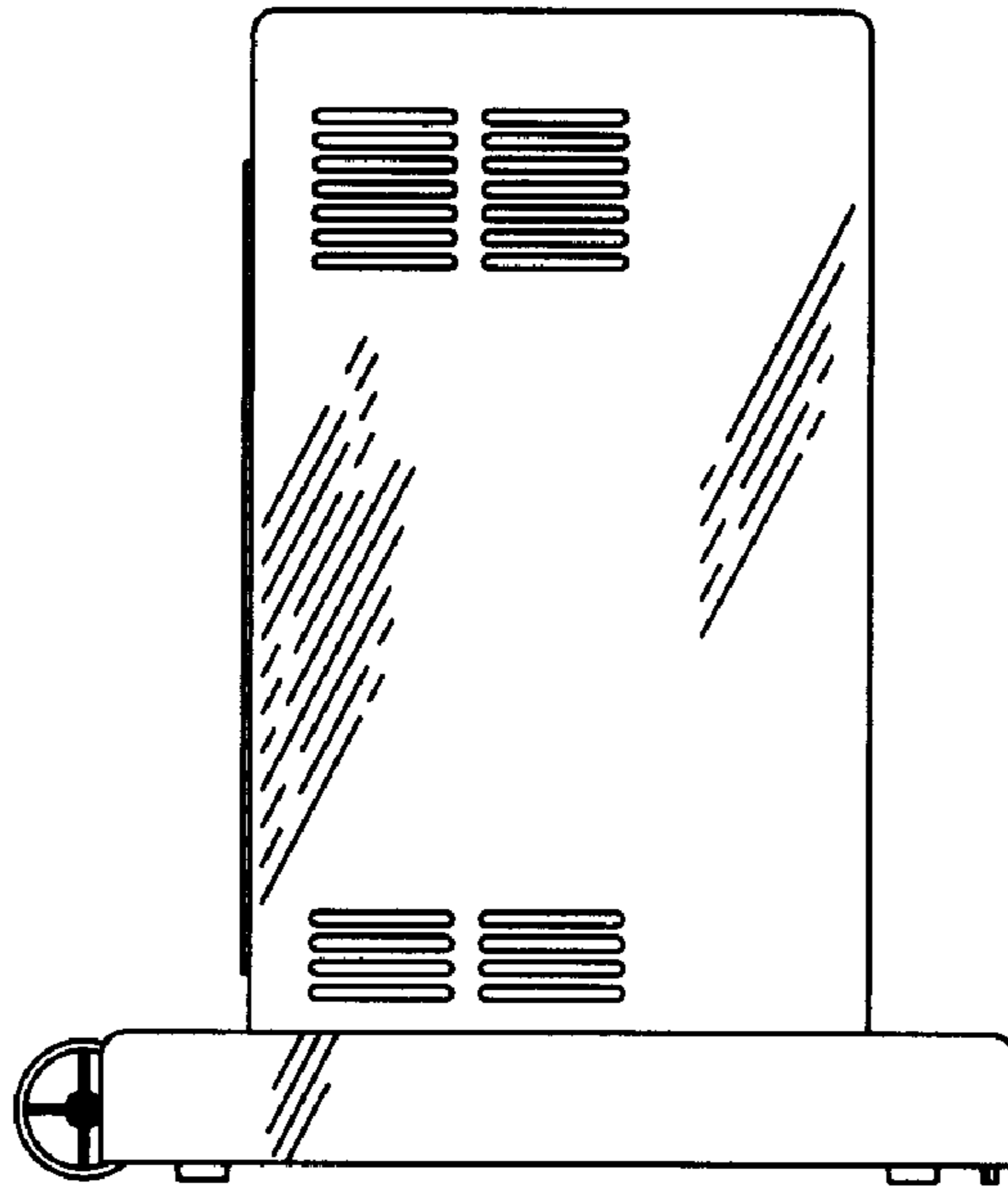


FIG. 4

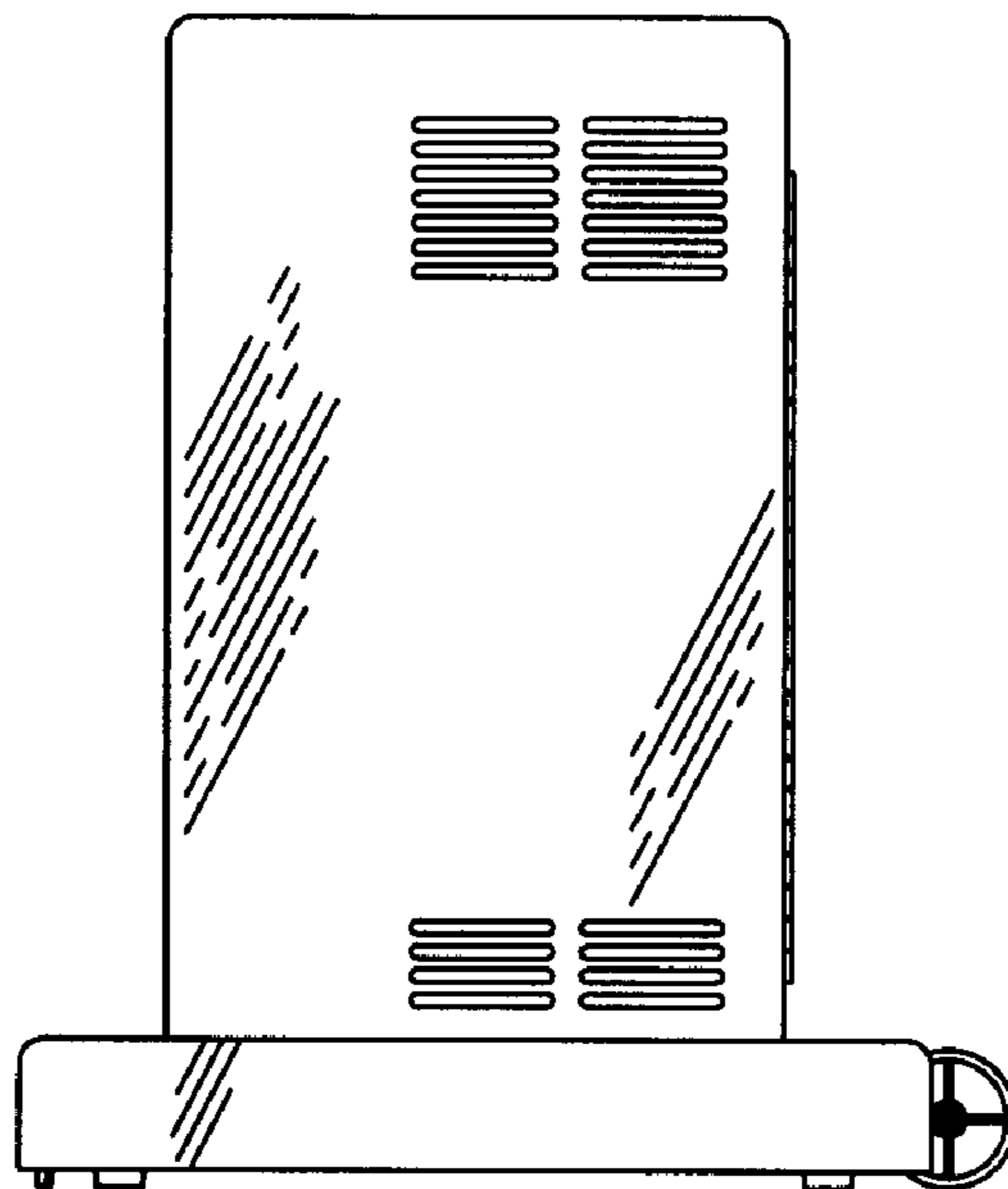


FIG. 5

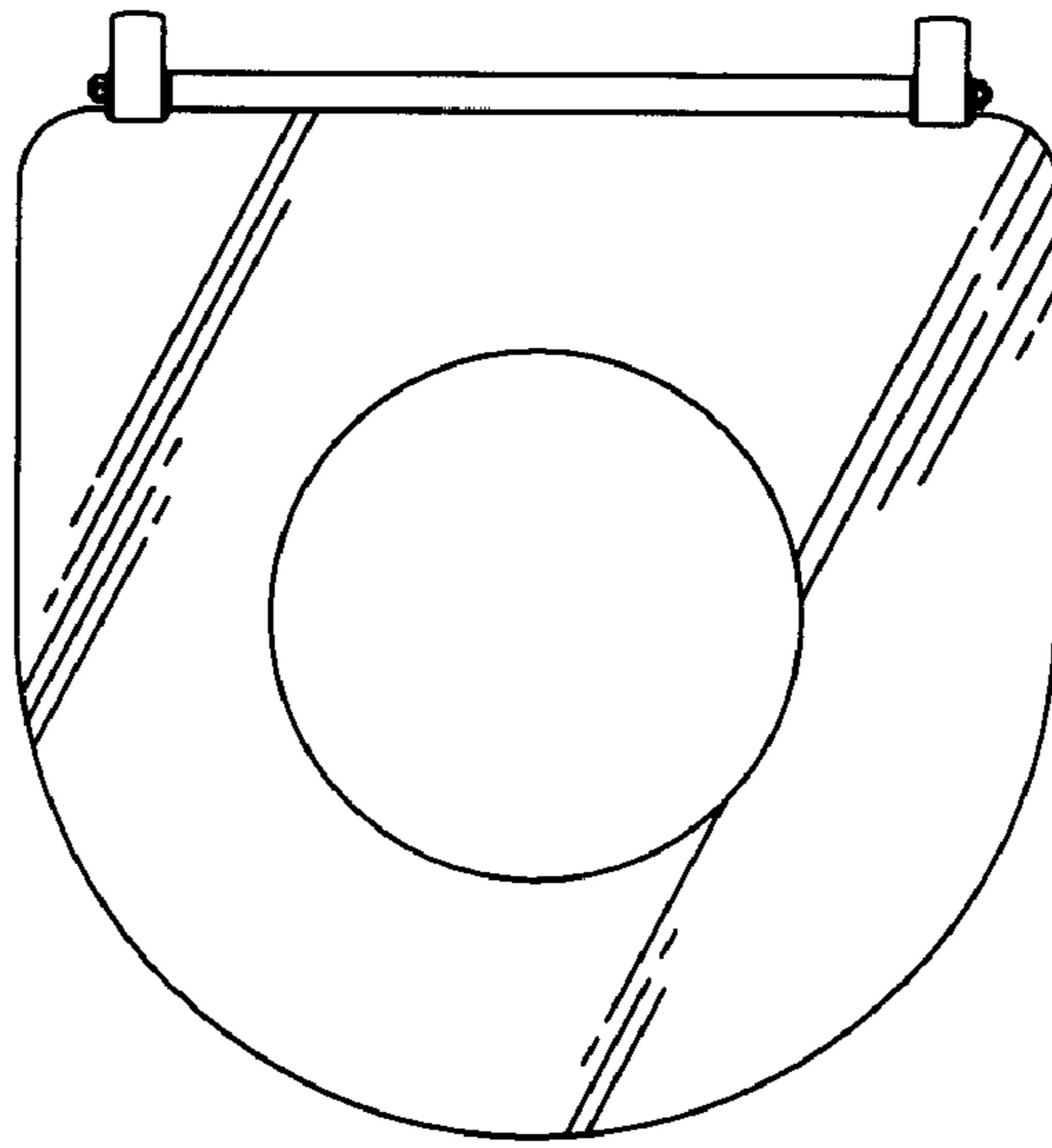


FIG. 6

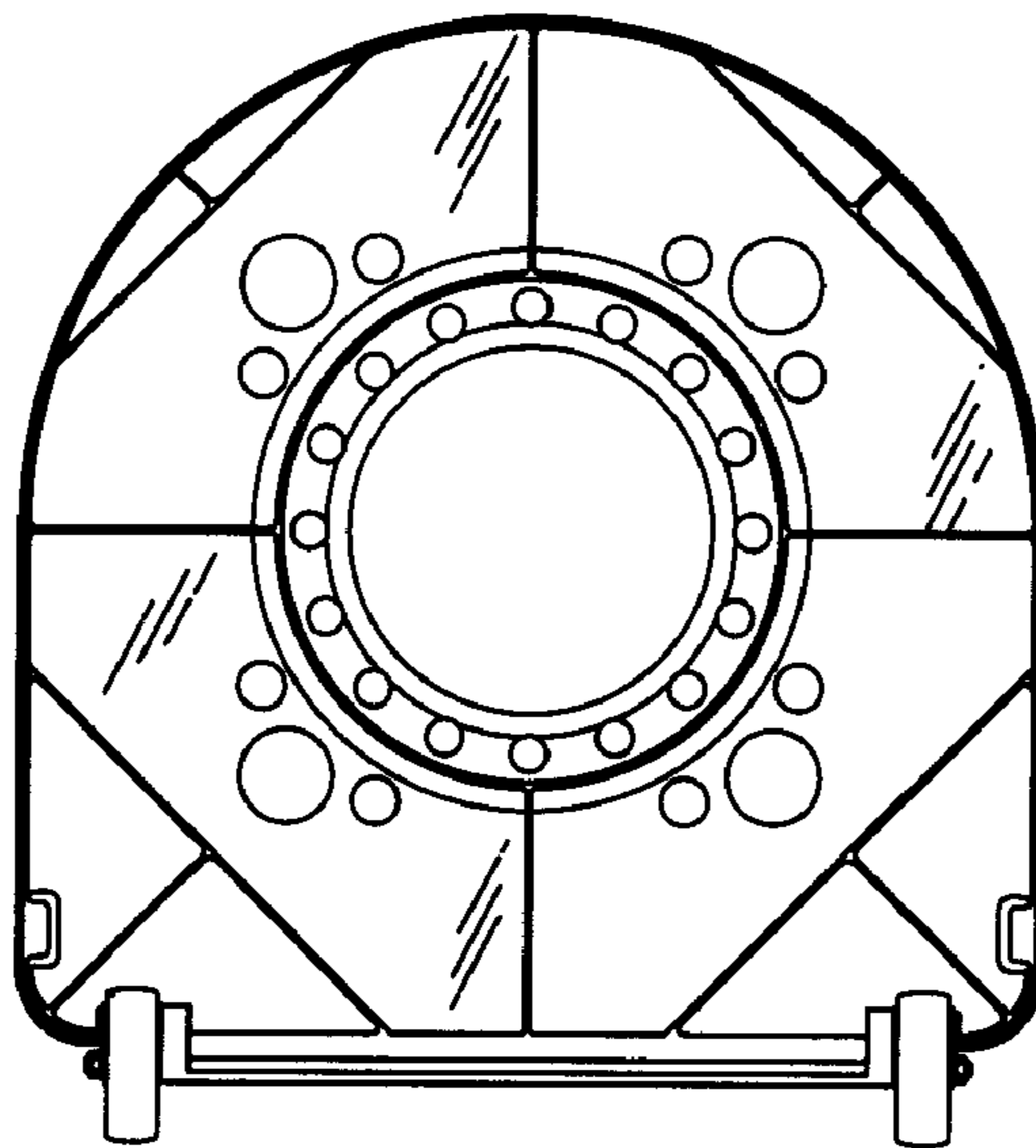


FIG. 7

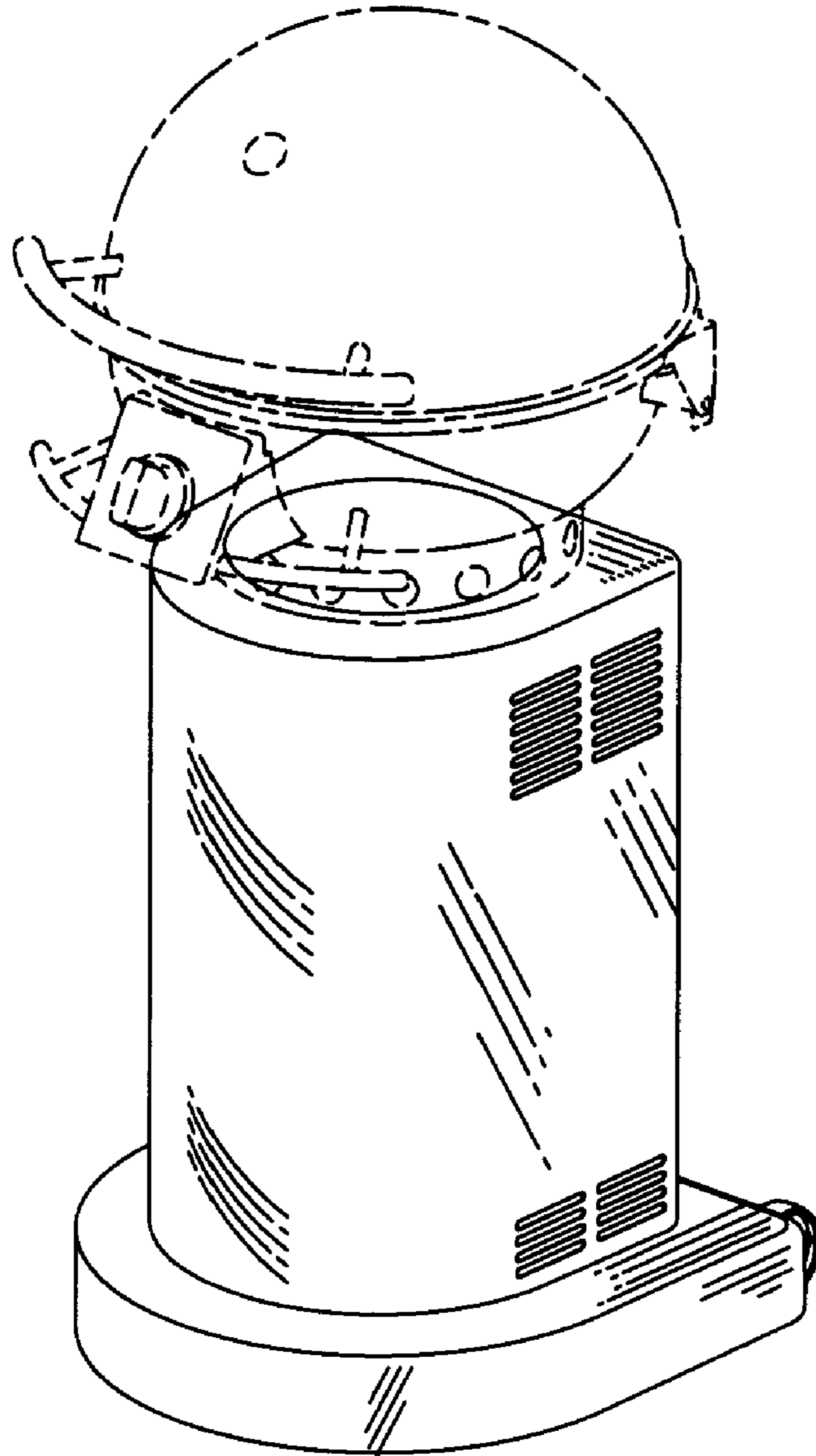


FIG.8