



US00D560965S

(12) **United States Design Patent**  
**Sommerfield**

(10) **Patent No.:** **US D560,965 S**  
(45) **Date of Patent:** **\*\* Feb. 5, 2008**

(54) **NOZZLE FOR A BEVERAGE DISPENSER**

(75) Inventor: **Matthew A. Sommerfield**, Allentown, PA (US)

(73) Assignee: **Wine Gadgets, LLC**, Allentown, PA (US)

(\*\*) Term: **14 Years**

(21) Appl. No.: **29/274,454**

(22) Filed: **Apr. 25, 2007**

(51) **LOC (8) Cl.** ..... **07-01**

(52) **U.S. Cl.** ..... **D7/398**

(58) **Field of Classification Search** ..... D7/313,  
D7/368, 387, 392, 392.1, 395, 396.2, 397,  
D7/398, 300; D6/512, 553; D9/434, 435;  
D23/233, 238, 242, 213, 249, 255, 262; 222/222,  
222/255, 481, 568, 566, 569

See application file for complete search history.

(56) **References Cited**

**U.S. PATENT DOCUMENTS**

- D42,649 S \* 6/1912 Savill ..... D7/398
- D124,228 S \* 12/1940 Cornelius ..... D7/398
- D128,643 S 8/1941 Rosander
- D154,879 S \* 8/1949 Rosander et al. .... D7/398
- D187,905 S 5/1960 Seltsam
- D189,904 S \* 3/1961 Seltsam ..... D7/398

- D194,389 S \* 1/1963 Benjamin ..... D7/398
- D200,230 S 2/1965 Seltsam
- D202,689 S \* 11/1965 Reichow ..... D7/398
- D241,841 S 10/1976 Frahm et al.
- D525,828 S \* 8/2006 Daniels, Jr. .... D7/398

\* cited by examiner

*Primary Examiner*—Philip S. Hyder

*Assistant Examiner*—Cynthia Underwood

(74) *Attorney, Agent, or Firm*—Welsh & Flaxman LLC

(57) **CLAIM**

The ornamental design for a nozzle for a beverage dispenser, as shown and described.

**DESCRIPTION**

FIG. 1 is a front perspective view showing my design.

FIG. 2 is a front plan view.

FIG. 3 is a rear plan view.

FIG. 4 is a left side plan view.

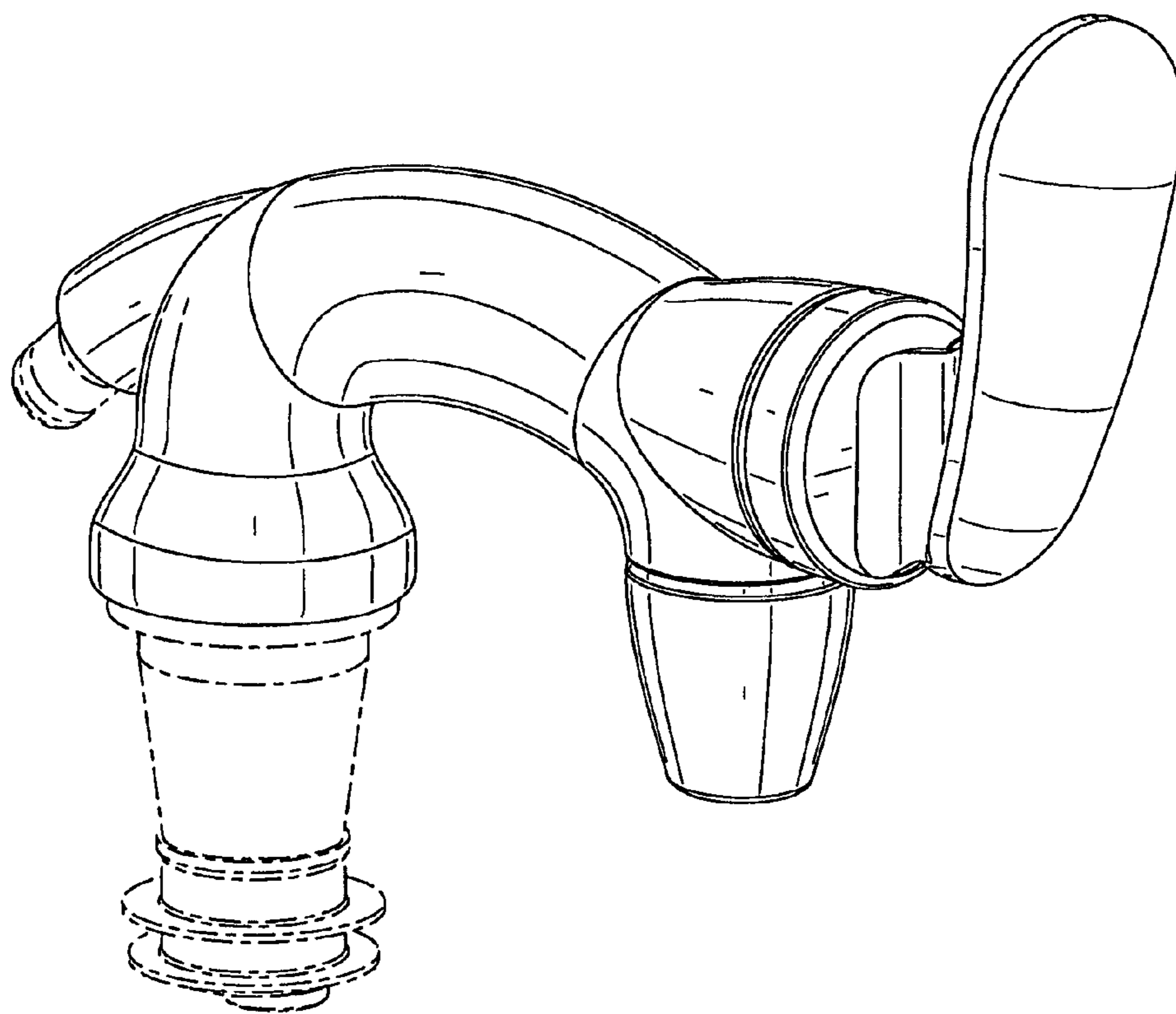
FIG. 5 is a right side plan view.

FIG. 6 is a top view; and,

FIG. 7 is a bottom view.

The broken lines in the drawings are for purposes of showing environmental structure and form no part of the claimed design.

**1 Claim, 5 Drawing Sheets**



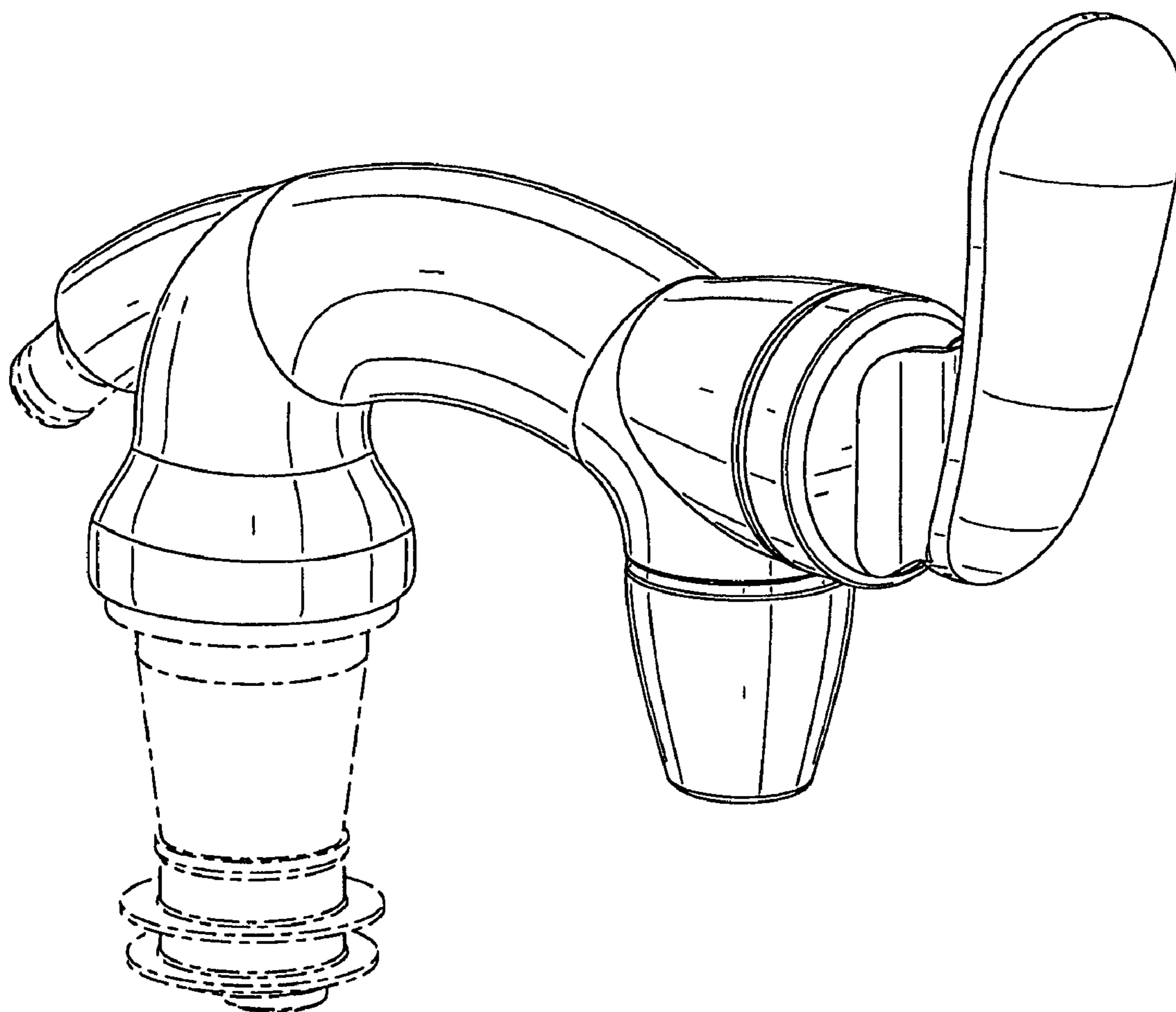


FIG. 1

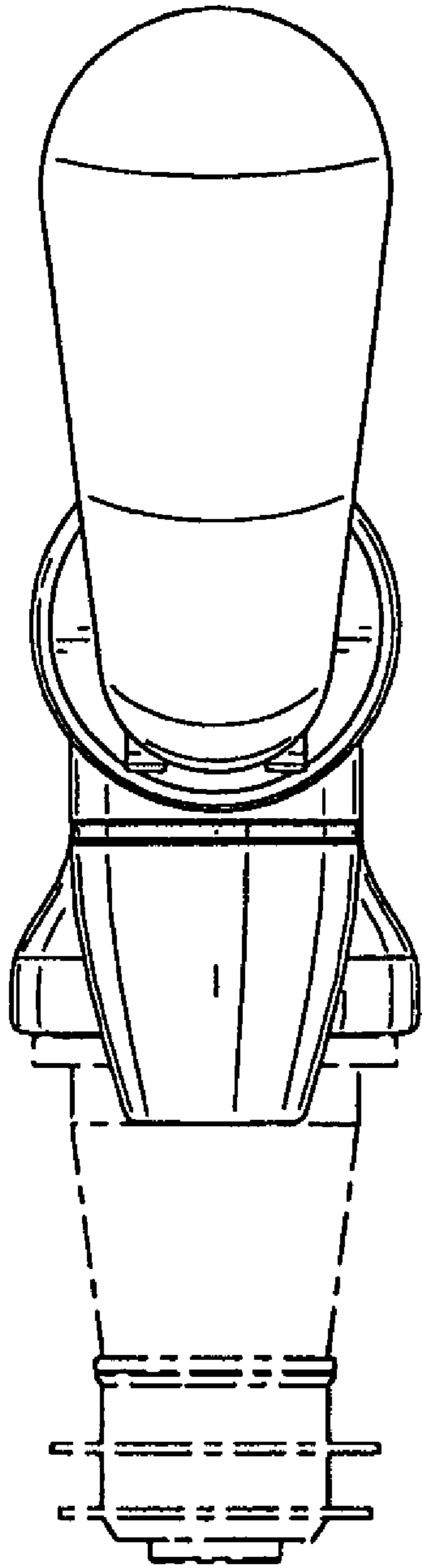


FIG. 2

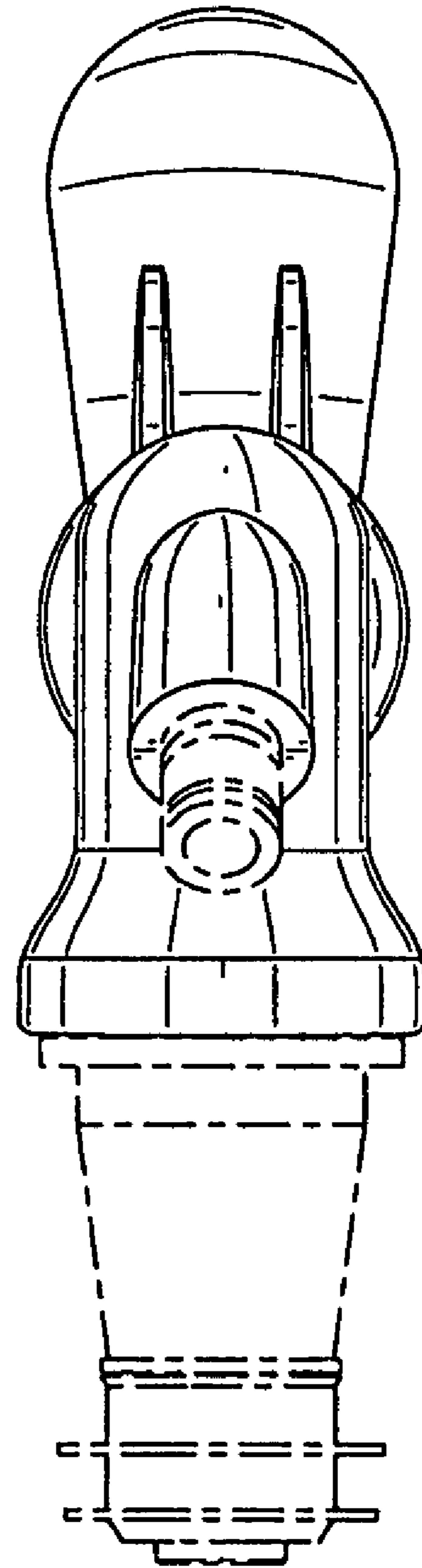


FIG. 3

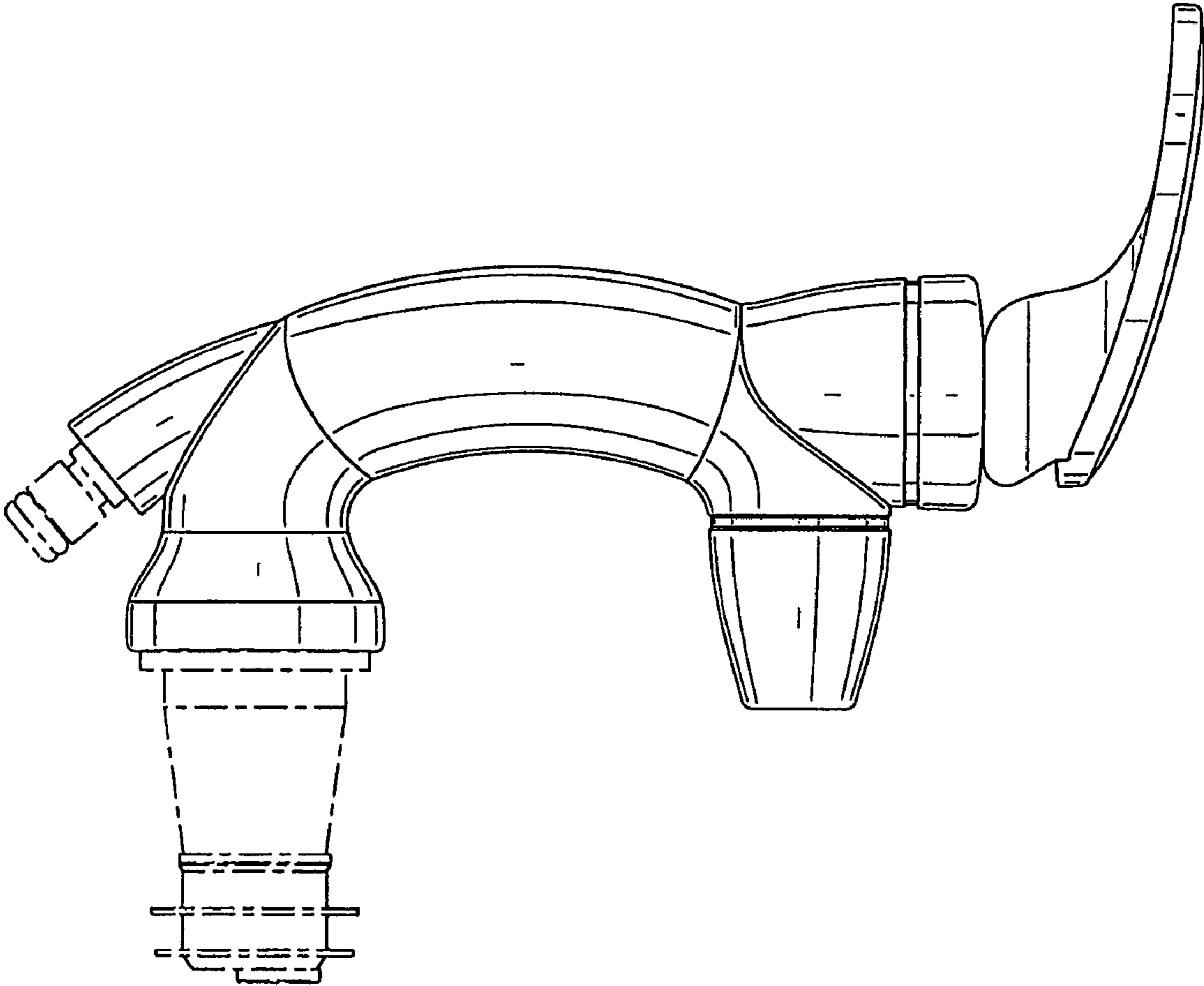


FIG. 4

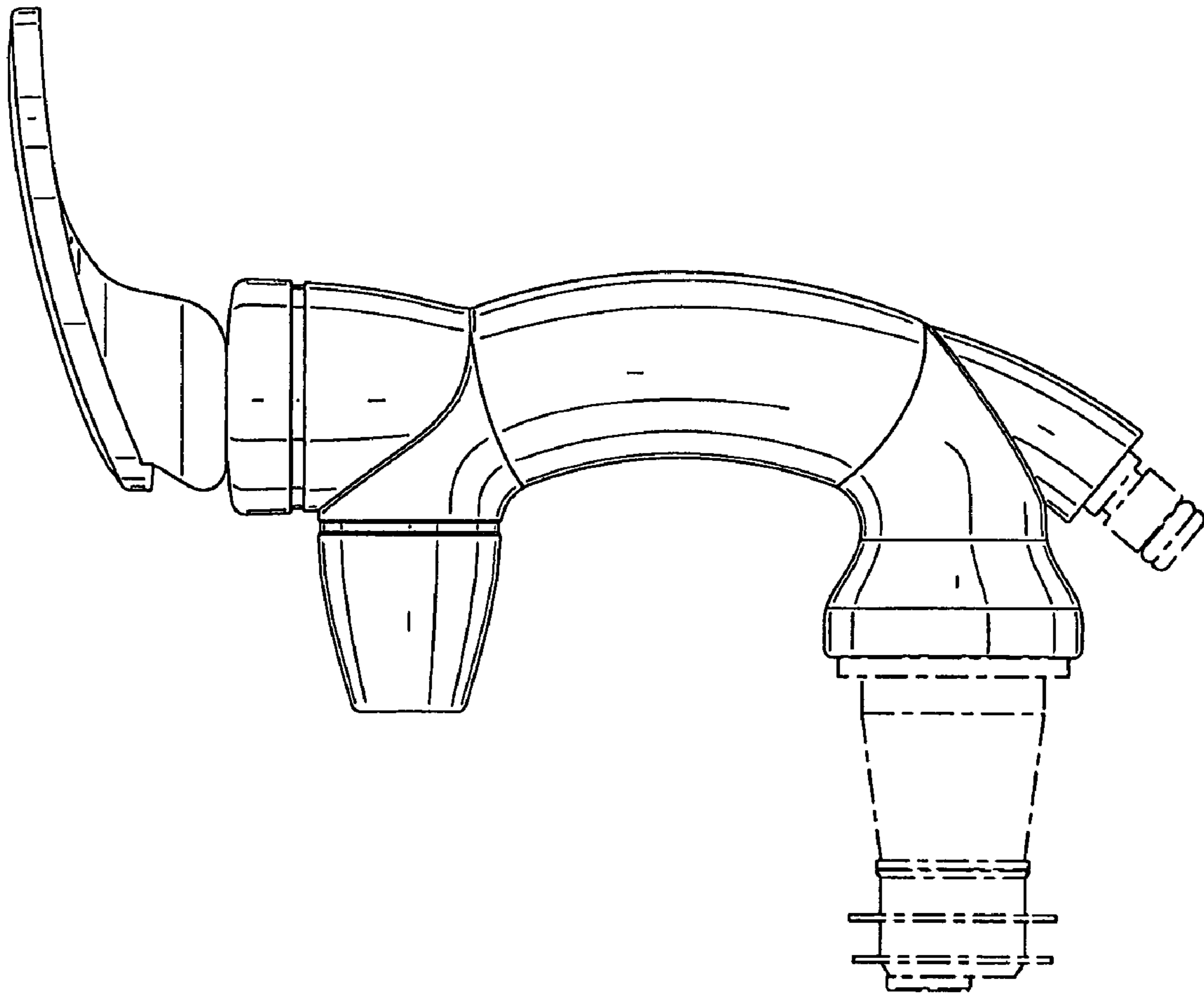


FIG. 5

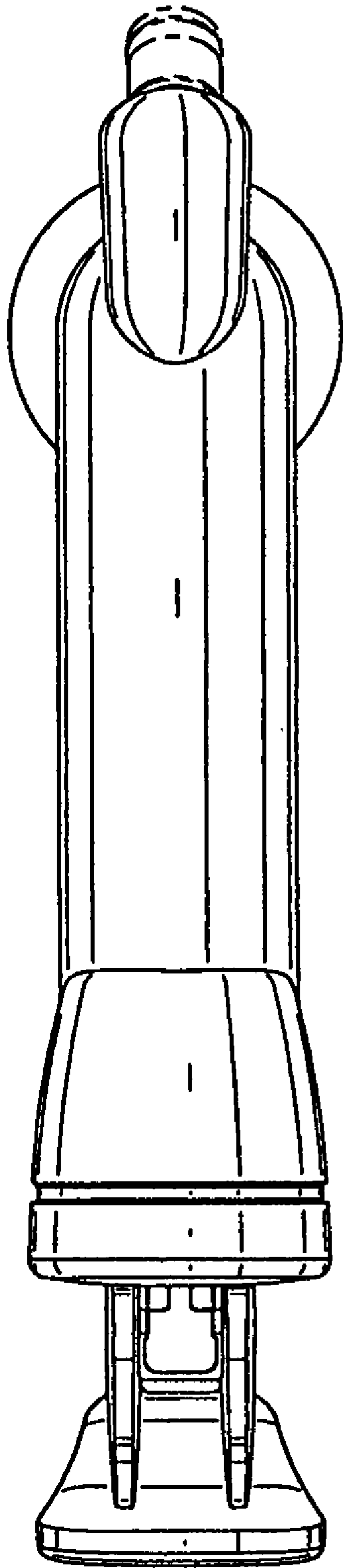


FIG. 6

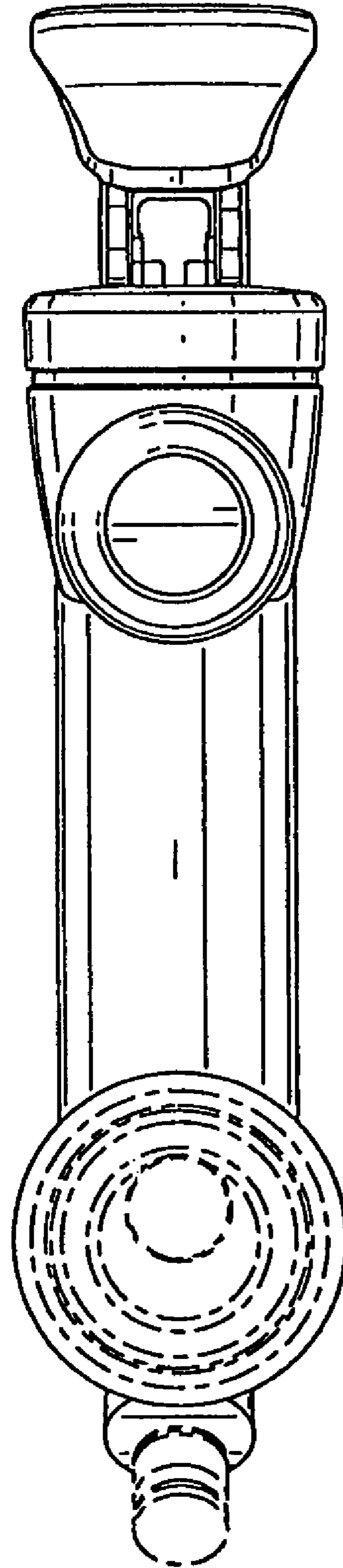


FIG. 7