



US00D560964S

(12) **United States Design Patent**  
**Hoff**

(10) **Patent No.:** **US D560,964 S**

(45) **Date of Patent:** **\*\* Feb. 5, 2008**

(54) **COOKWARE HANDLE**

D451,339 S \* 12/2001 Munari ..... D7/393  
D461,993 S \* 8/2002 Coudurier ..... D7/393  
D493,060 S \* 7/2004 Pippel et al. .... D7/393

(75) Inventor: **Susan K. Hoff**, Belmont, MI (US)

(73) Assignee: **Access Business Group International LLC**, Ada, MI (US)

\* cited by examiner

(\*\*) Term: **14 Years**

*Primary Examiner*—Holly H. Baynham

*Assistant Examiner*—Cynthia M. Chin

(21) Appl. No.: **29/250,140**

(74) *Attorney, Agent, or Firm*—Warner Norcross & Judd LLP

(22) Filed: **Nov. 3, 2006**

(57) **CLAIM**

(51) **LOC (8) Cl.** ..... **07-02**

The ornamental design for a cookware handle, as shown and described.

(52) **U.S. Cl.** ..... **D7/393**

(58) **Field of Classification Search** ..... D7/354–357,  
D7/359–361, 393–395; D8/107, 307, 300,  
D8/301, 310, 312, 319, 320; 16/414, 417,  
16/441, 443, 430, 431, 110.1, 407; 220/573.1–573.5,  
220/752, 753, 755–757, 759  
See application file for complete search history.

**DESCRIPTION**

FIG. 1 is a top perspective view of the cookware handle embodying the new design;

FIG. 2 is a bottom perspective view thereof;

FIG. 3 is a side view thereof;

FIG. 4 is a top view thereof; and,

FIG. 5 is a bottom view thereof.

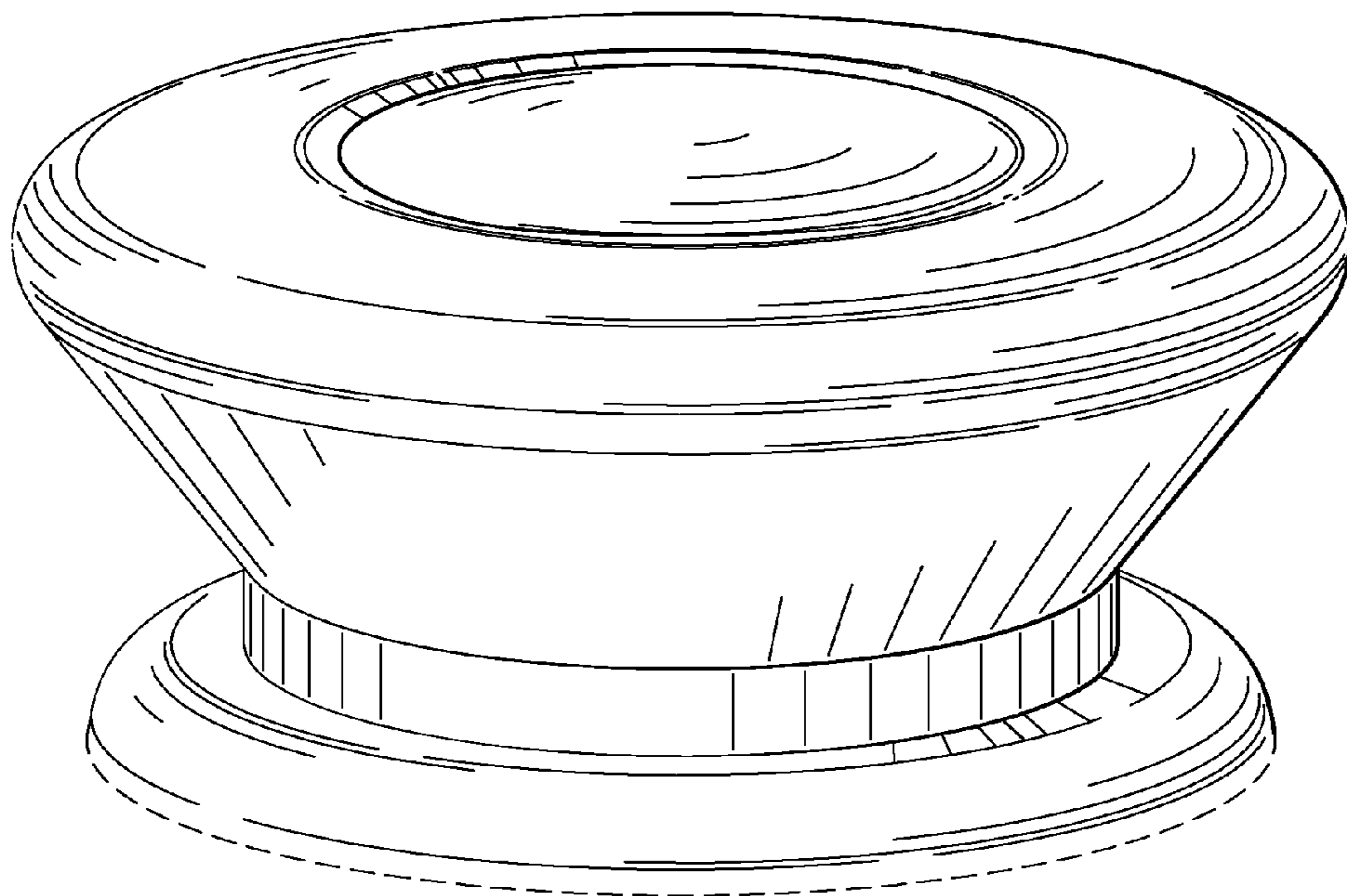
FIGS. 1, 2, 3 and 5 show portions of the cookware handle in broken lines. The portions shown in broken lines form no part of the claimed design. Further, the broken lines immediately adjacent the solid-line portions of the design form the boundary of the claimed design, with the broken lines forming no part of the claimed design.

(56) **References Cited**

U.S. PATENT DOCUMENTS

D149,191 S \* 4/1948 Krause ..... D7/393  
D212,379 S \* 10/1968 Dudas et al. .... D7/393  
D261,349 S \* 10/1981 Ryser ..... D7/393  
D284,444 S \* 7/1986 Baumgarten ..... D7/393  
D365,497 S \* 12/1995 Gebhardt ..... D7/393  
D365,964 S \* 1/1996 Gebhardt ..... D7/393  
D376,726 S \* 12/1996 Rohrer ..... D7/393  
D411,707 S \* 6/1999 Horvat ..... D7/393  
D419,373 S \* 1/2000 Geelen ..... D7/393

**1 Claim, 3 Drawing Sheets**



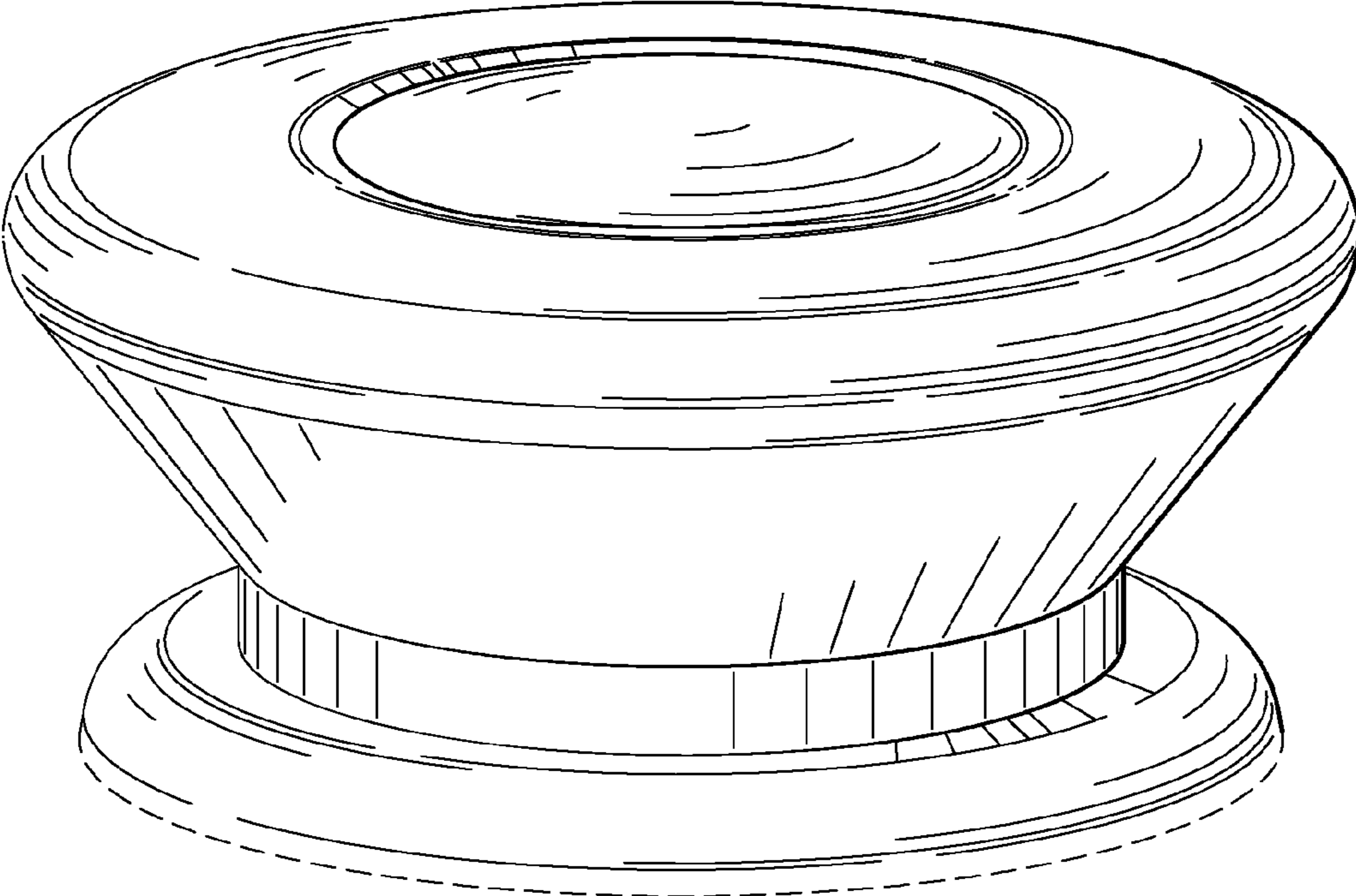


FIG. 1

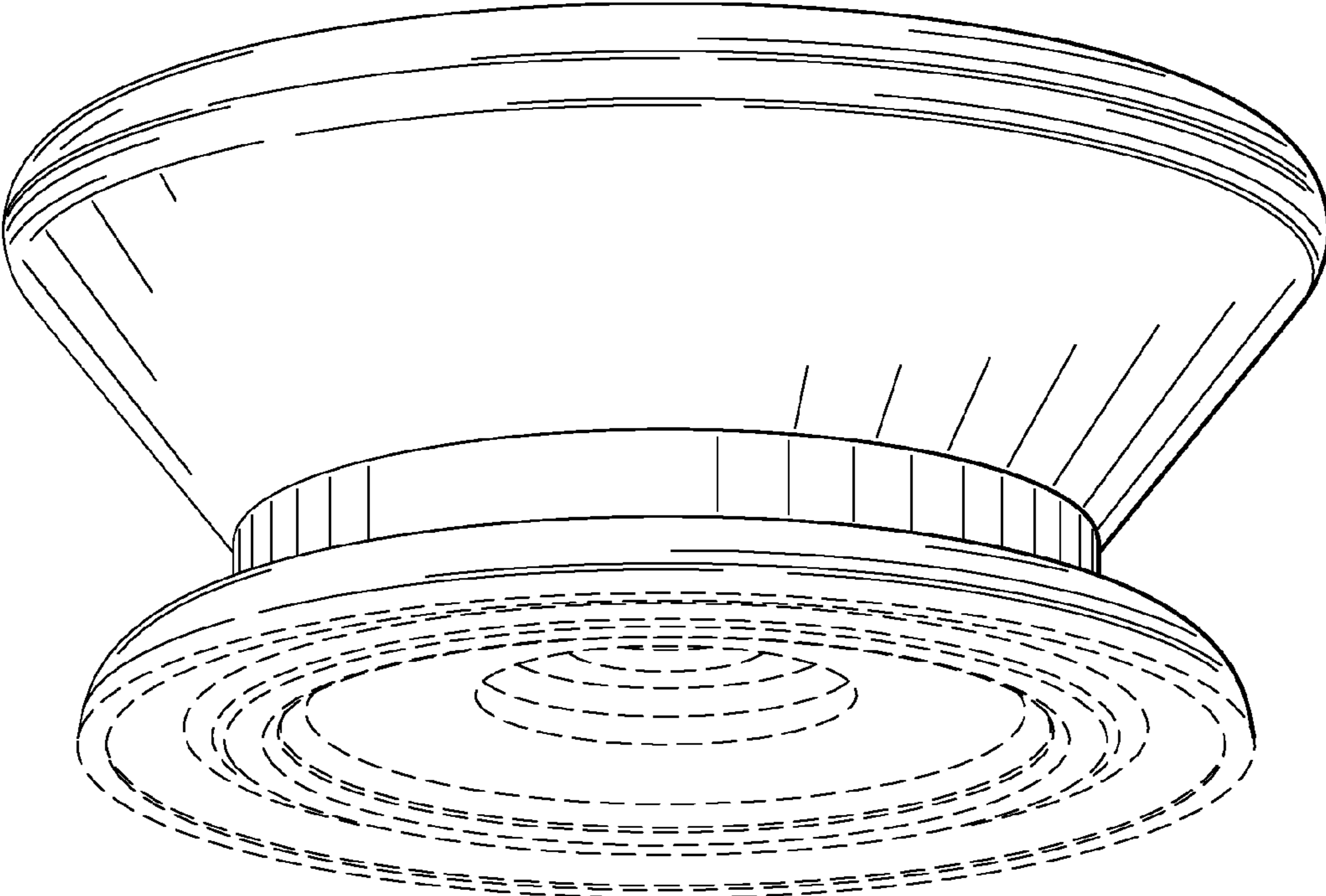


FIG. 2



FIG. 3

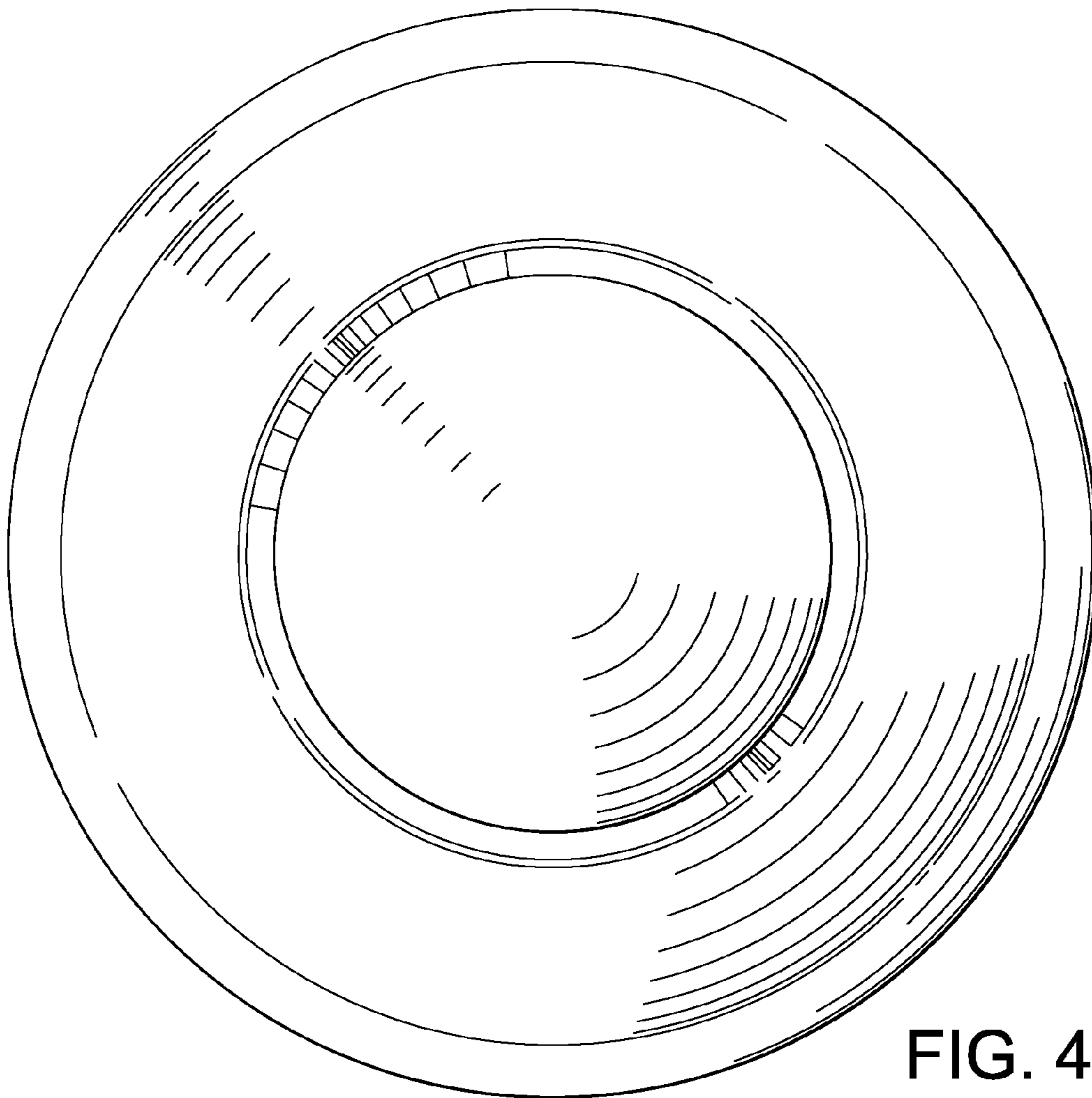


FIG. 4

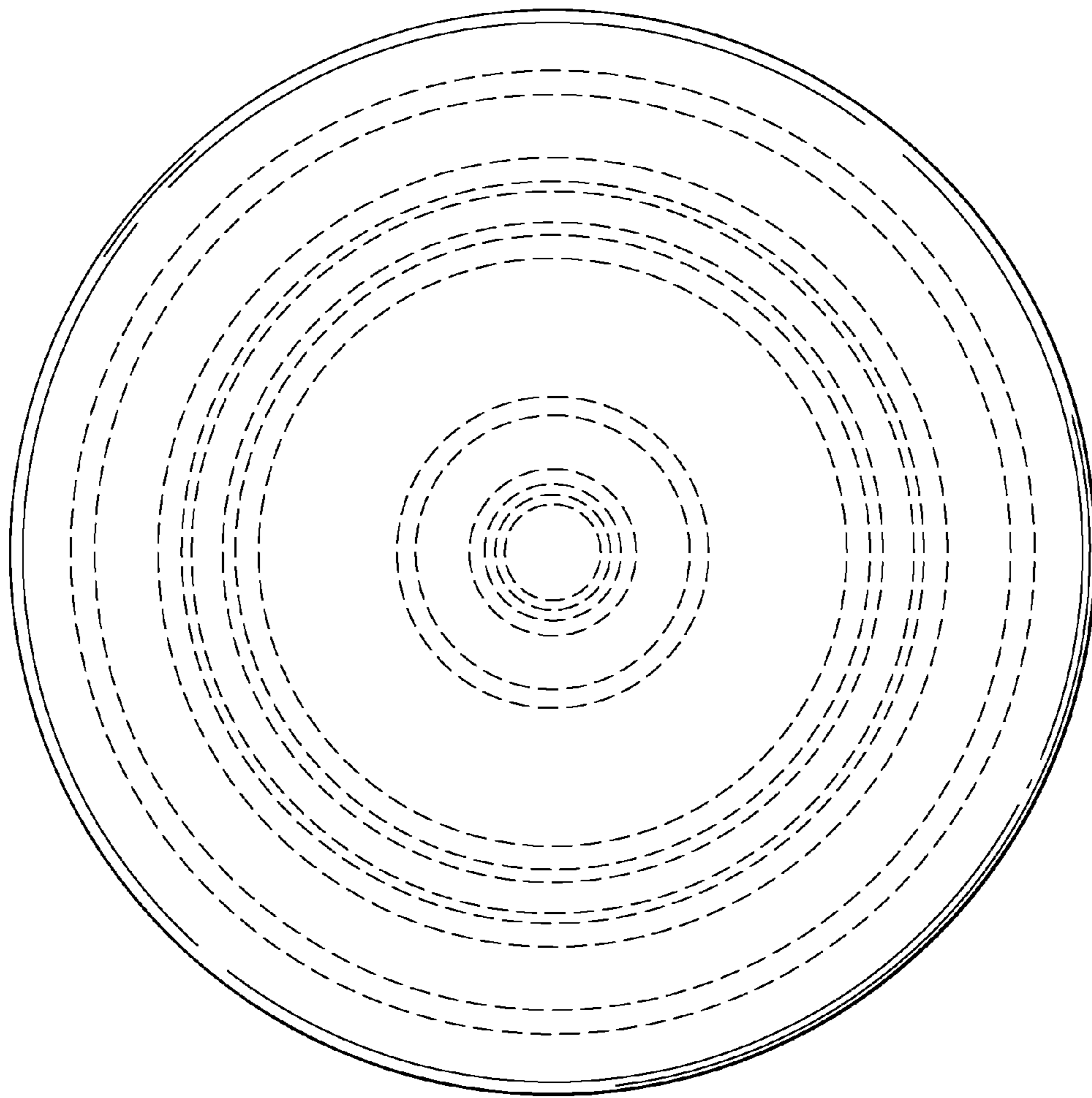


FIG. 5