



US00D560961S

(12) **United States Design Patent**
Kato

(10) **Patent No.: US D560,961 S**
(45) **Date of Patent: ** *Feb. 5, 2008**

(54) **FROZEN ICE DRINK MACHINE**

FOREIGN PATENT DOCUMENTS

(75) Inventor: **Yukio Kato**, Mie (JP)
(73) Assignee: **Joytec Kabushiki Kaisha**, Mie (JP)
(**) Term: **14 Years**

JP 548962 1/1956
JP 774962 11/1989
JP 1233322 2/2005

* cited by examiner

Primary Examiner—Catherine R. Oliver
(74) *Attorney, Agent, or Firm*—Jason A. Bernstein; Powell Goldstein LLP

(21) Appl. No.: **29/278,159**
(22) Filed: **Mar. 21, 2007**

(30) **Foreign Application Priority Data**

Oct. 17, 2006 (JP) 2006-028145

(51) **LOC (8) Cl.** **31-00**
(52) **U.S. Cl.** **D7/374; D7/378**
(58) **Field of Classification Search** D7/374,
D7/378, 311, 306–307, 309, 372, 373; 241/101.2,
241/168–169, 169.1, 273.3, 277, 279, 280;
99/484

See application file for complete search history.

(56) **References Cited**

U.S. PATENT DOCUMENTS

3,791,597 A * 2/1974 Walter et al. 241/101.2
D427,844 S * 7/2000 Herbert D7/374
D527,567 S * 9/2006 Nakato et al. D7/306
D549,043 S * 8/2007 Beesley et al. D7/378

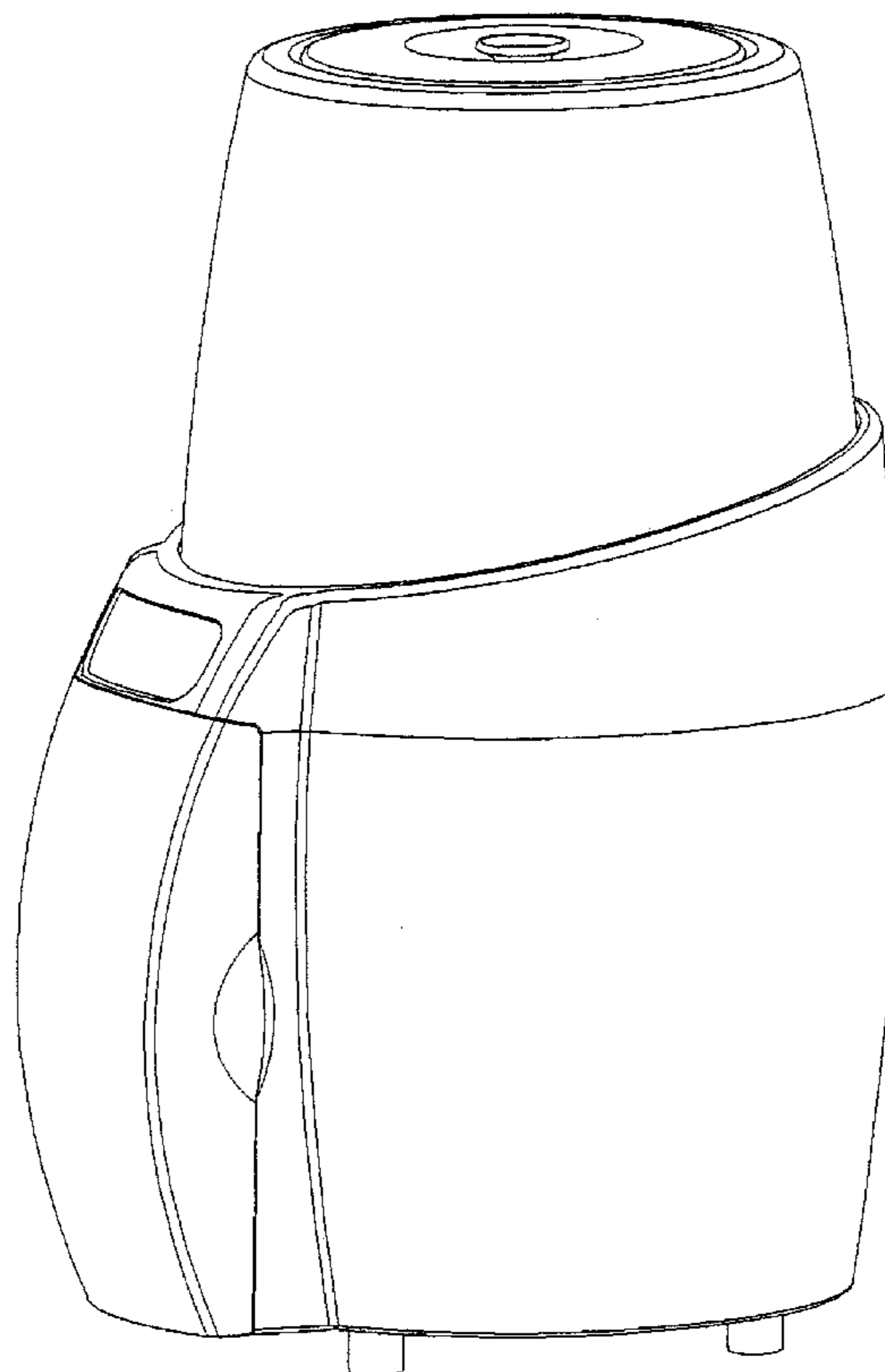
(57) **CLAIM**

The ornamental design for a frozen ice drink machine, as shown and described.

DESCRIPTION

FIG. 1 is a perspective view of my new frozen ice drink machine;
FIG. 2 is a front elevation view thereof;
FIG. 3 is a rear elevation view thereof;
FIG. 4 is a left side elevation view thereof;
FIG. 5 is a right side elevational view thereof;
FIG. 6 is a top plan view thereof;
FIG. 7 is a bottom elevation view thereof; and,
FIG. 8 is a front elevation view thereof.

1 Claim, 8 Drawing Sheets



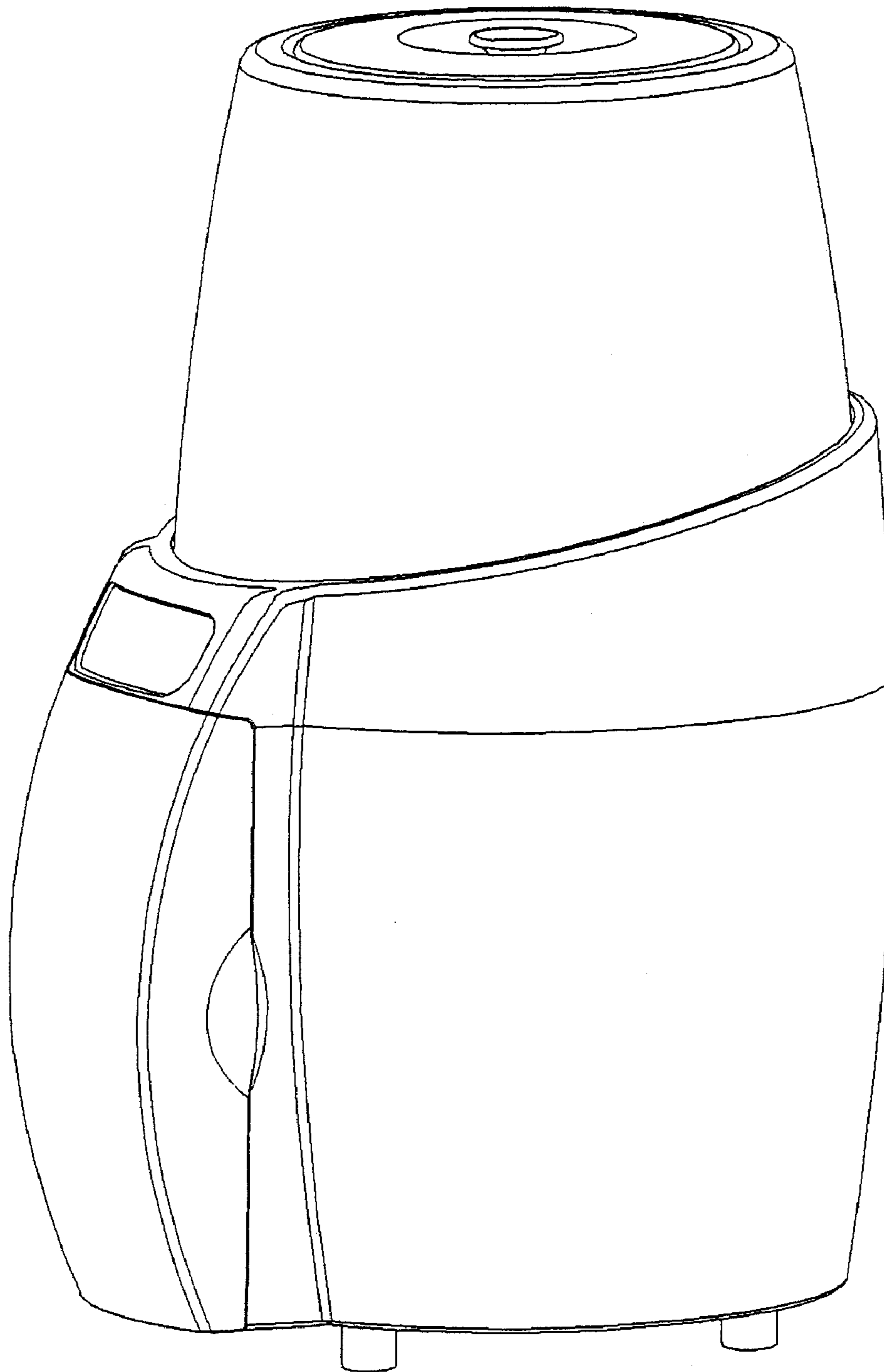


FIG. 1

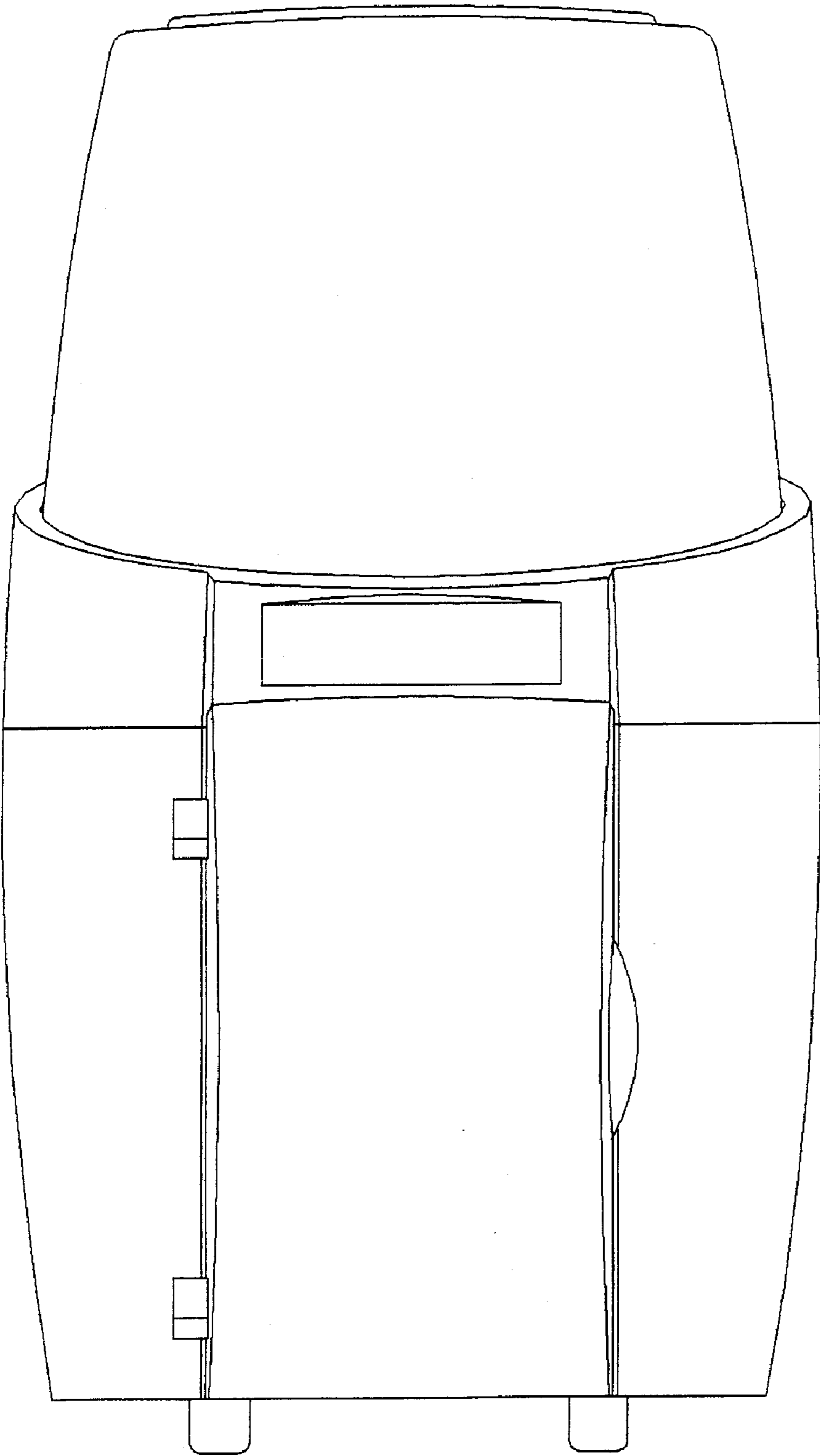


FIG. 2

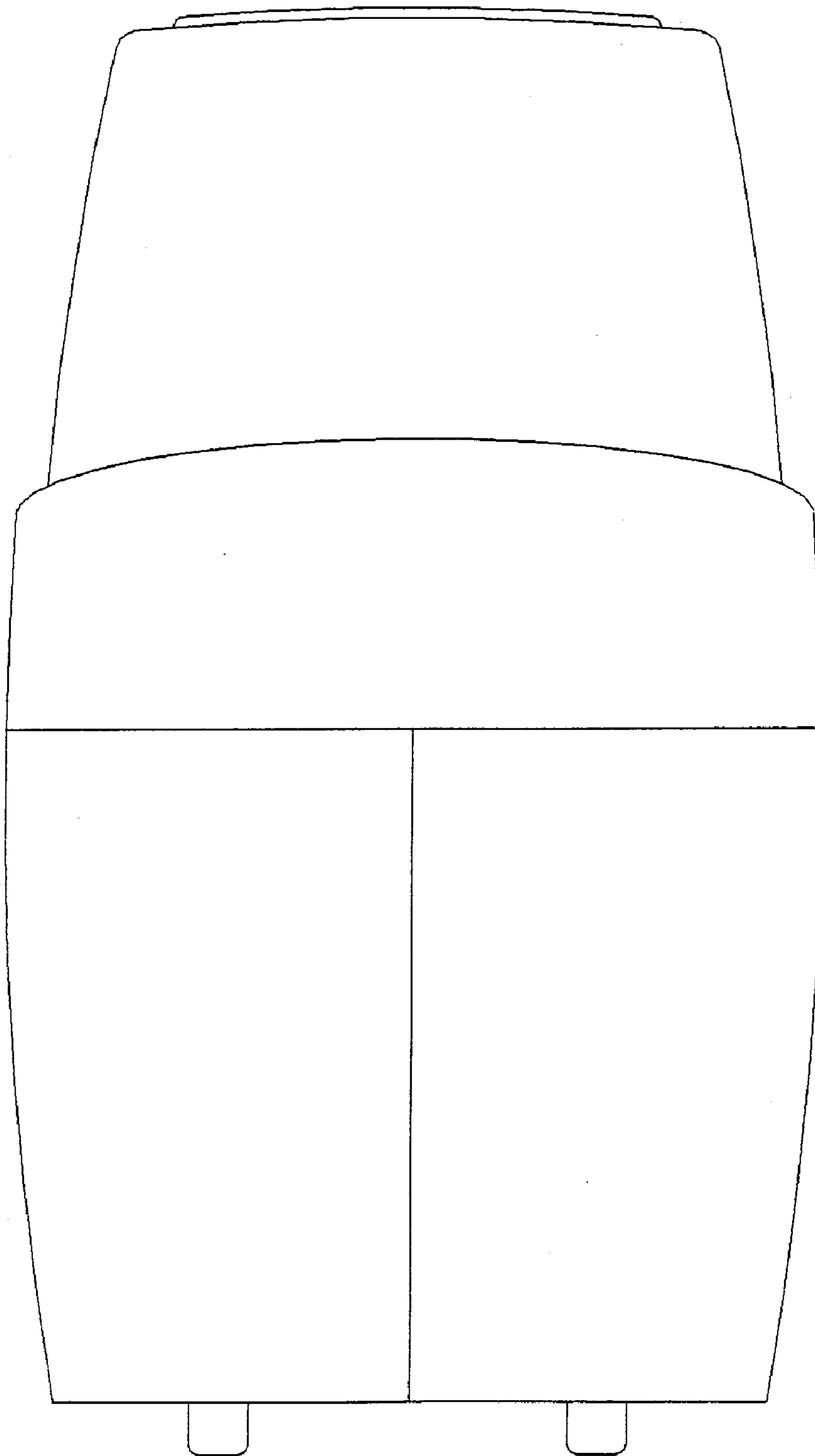


FIG. 3

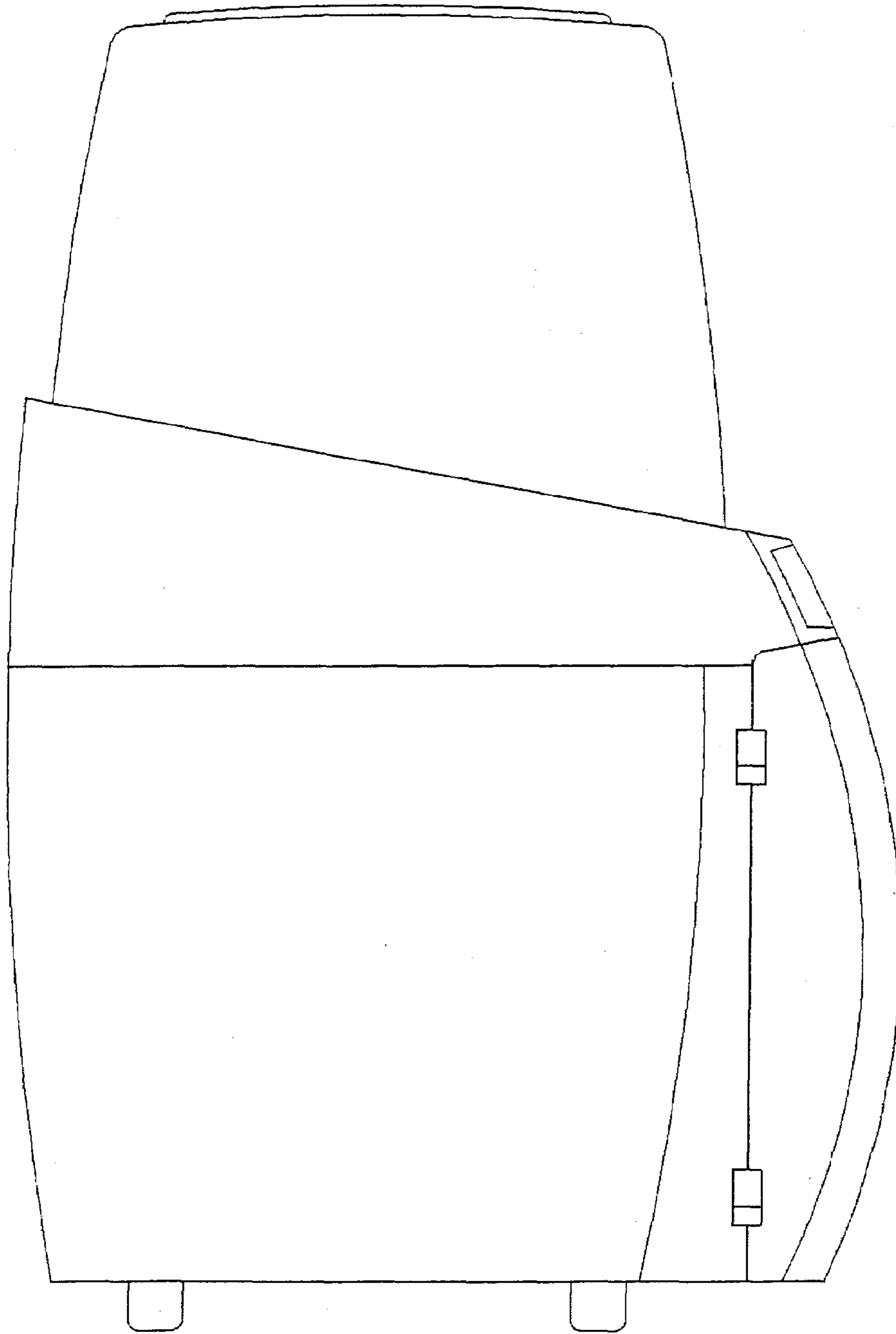


FIG. 4

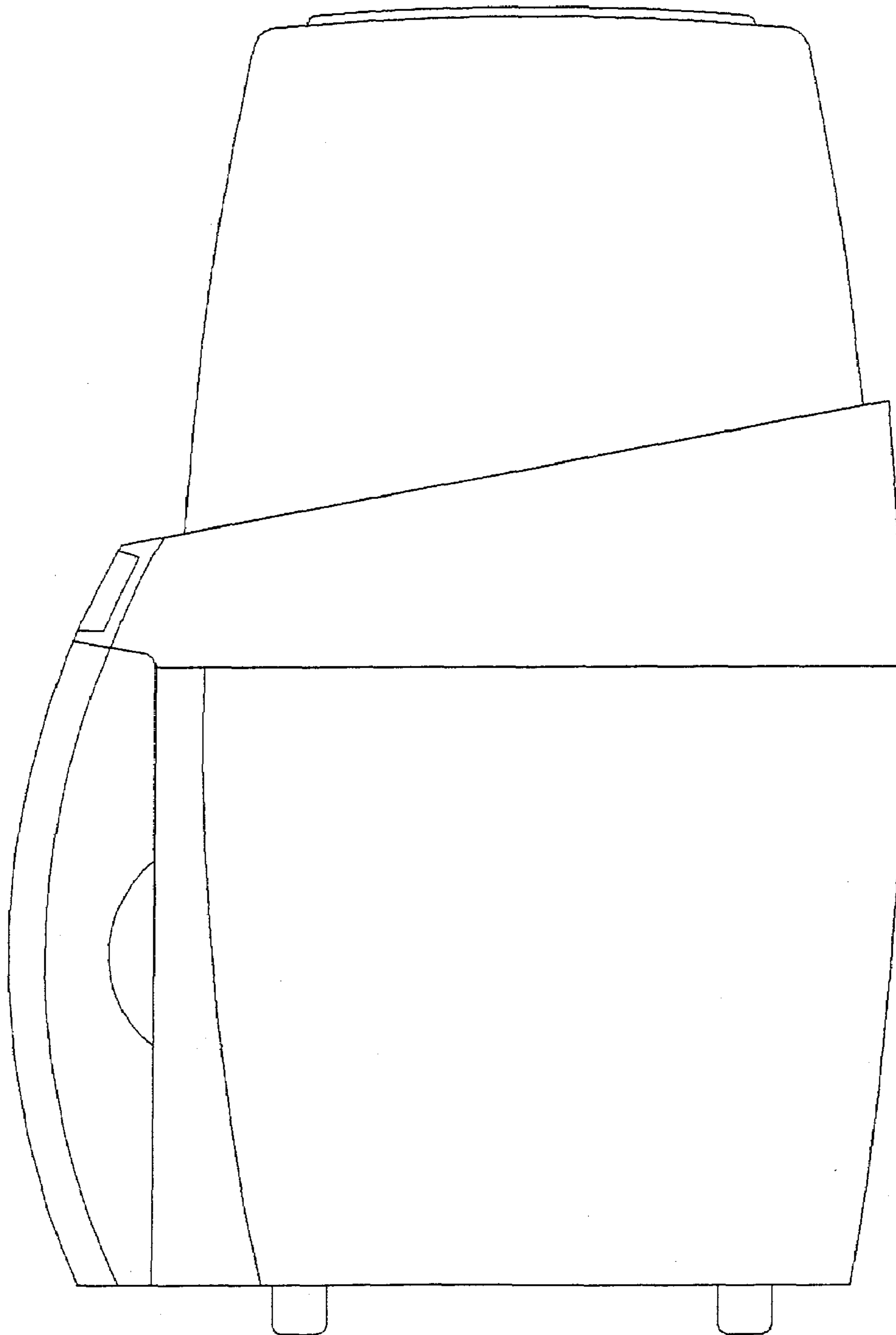


FIG. 5

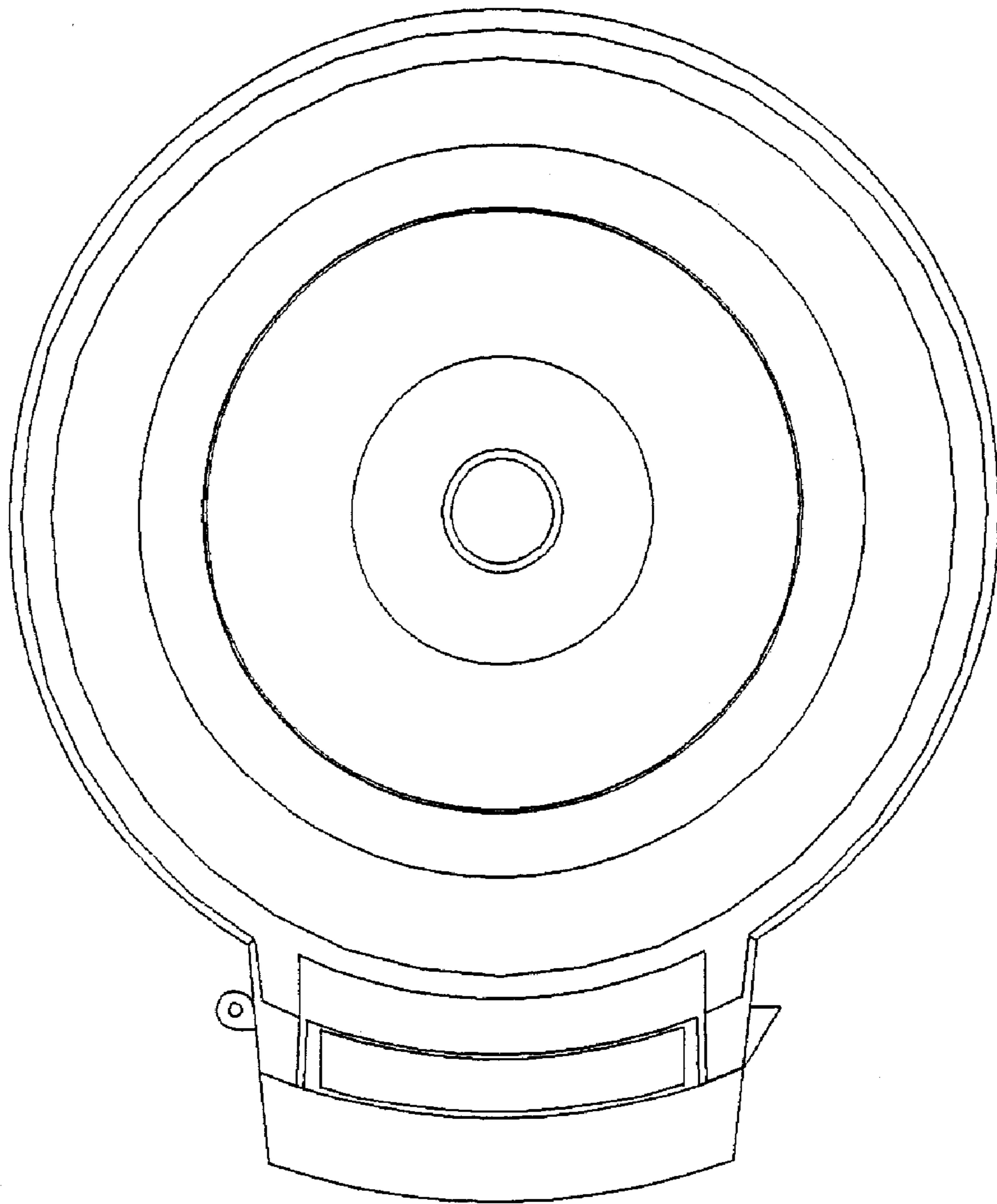


FIG. 6

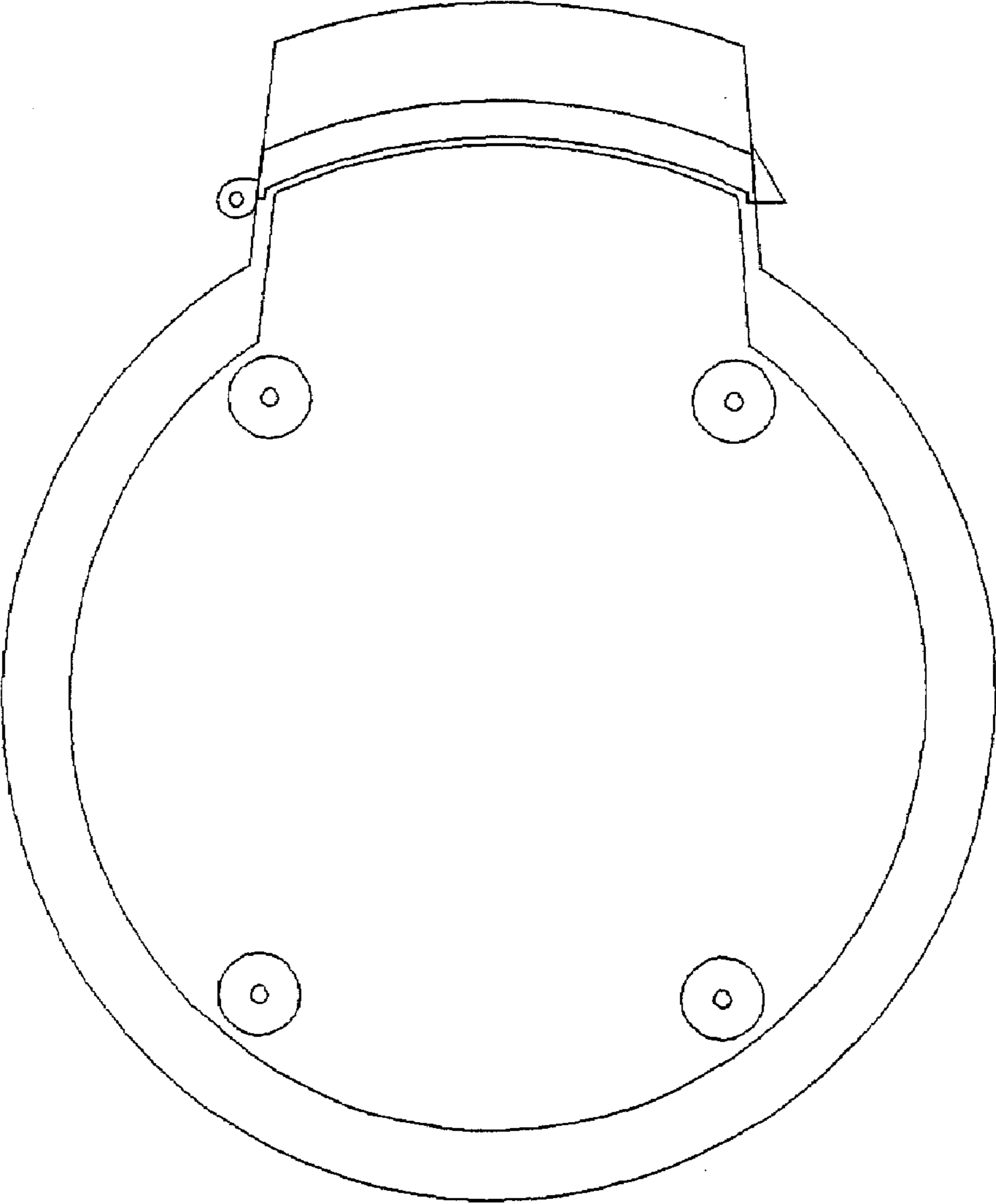


FIG. 7

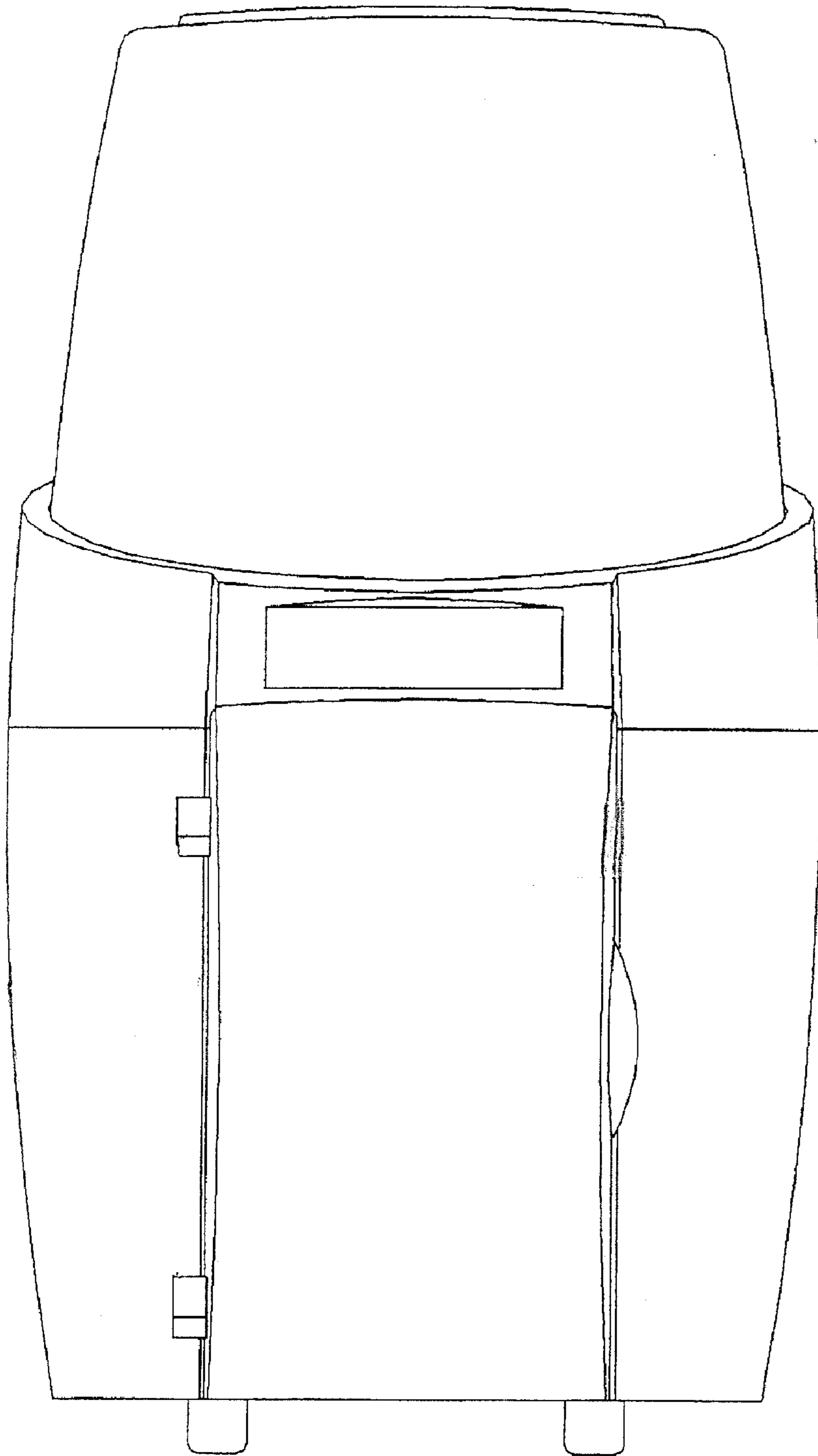


FIG. 8