



US00D560959S

(12) **United States Design Patent**
Shin et al.

(10) **Patent No.:** **US D560,959 S**

(45) **Date of Patent:** **** Feb. 5, 2008**

(54) **INDUCTION OVEN RANGE**

(75) Inventors: **Dae Kee Shin**, Seoul (KR); **Soo Yeon Kim**, Gyeonggi-do (KR)

(73) Assignee: **LG Electronics Inc.**, Seoul (KR)

(**) Term: **14 Years**

(21) Appl. No.: **29/273,274**

(22) Filed: **Mar. 2, 2007**

(30) **Foreign Application Priority Data**

Sep. 15, 2006 (KR) 30-2006-0038154

(51) **LOC (8) Cl.** **07-02**

(52) **U.S. Cl.** **D7/348**

(58) **Field of Classification Search** D7/323,
D7/339-348, 402-408; 219/391-392, 395,
219/445-446, 446.1, 460.1, 560; 126/198,
126/211, 39 B, 19 R, 39 C, 50, 39 R, 273 R
See application file for complete search history.

(56) **References Cited**

U.S. PATENT DOCUMENTS

D464,229 S * 10/2002 Baldwin et al. D7/340

D511,926 S * 11/2005 Baldwin D7/340
D530,971 S * 10/2006 Kim D7/340
2007/0023029 A1 * 2/2007 Kelley et al. 126/273 R
2007/0044788 A1 * 3/2007 Jacobs 126/211

* cited by examiner

Primary Examiner—Catherine R. Oliver

(74) *Attorney, Agent, or Firm*—Birch, Stewart, Kolasch & Birch, LLP

(57) **CLAIM**

We claim the ornamental design for induction oven range, as shown and described.

DESCRIPTION

FIG. 1 is a perspective view of induction oven range showing the new design:

FIG. 2 is a front elevation view thereof;

FIG. 3 is a rear elevation view thereof;

FIG. 4 is a left-side elevation view thereof;

FIG. 5 is a right-side elevation view thereof;

FIG. 6 is a top plan view thereof; and,

FIG. 7 is a bottom plan view thereof.

1 Claim, 5 Drawing Sheets

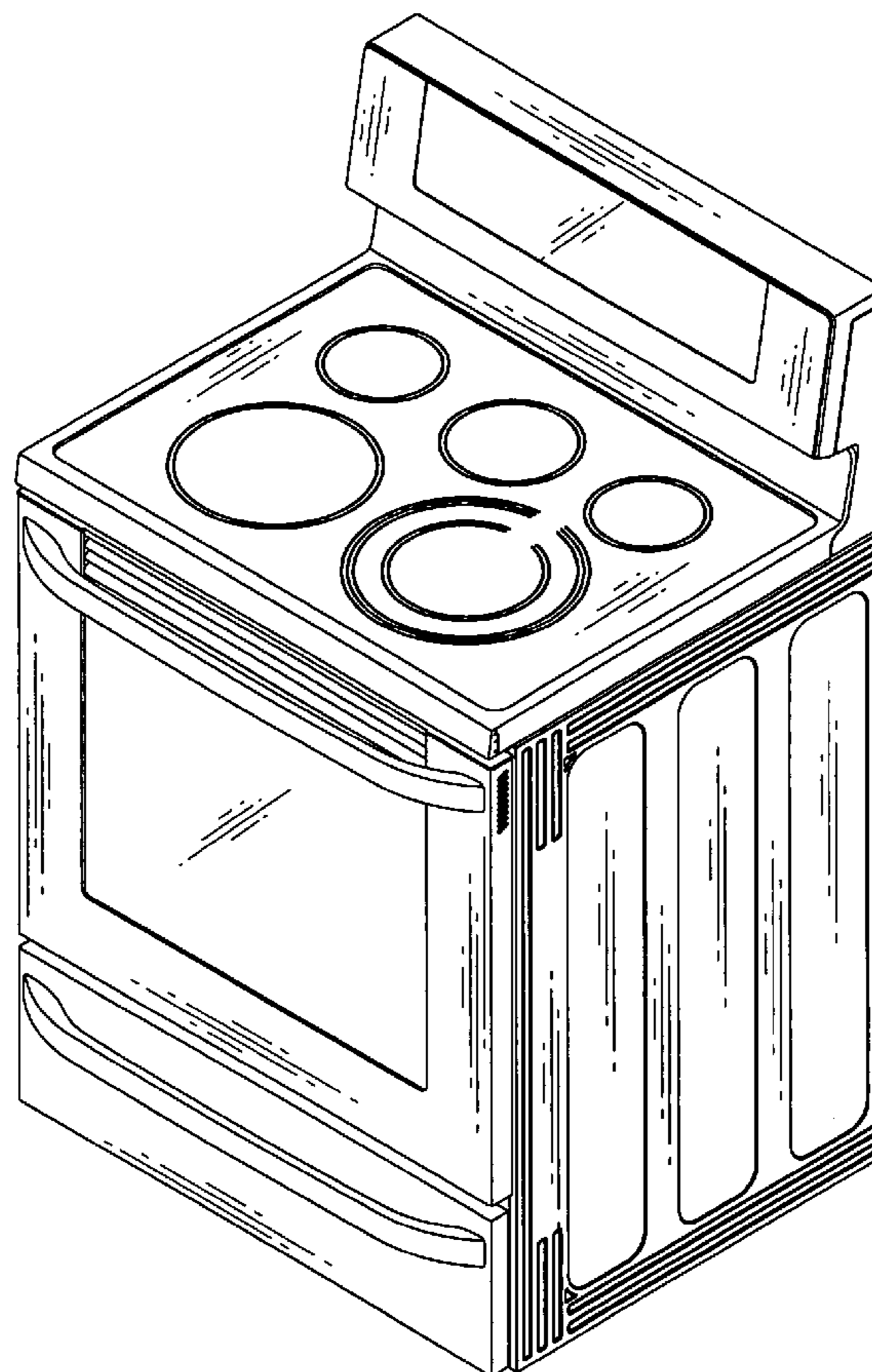


FIG. 1

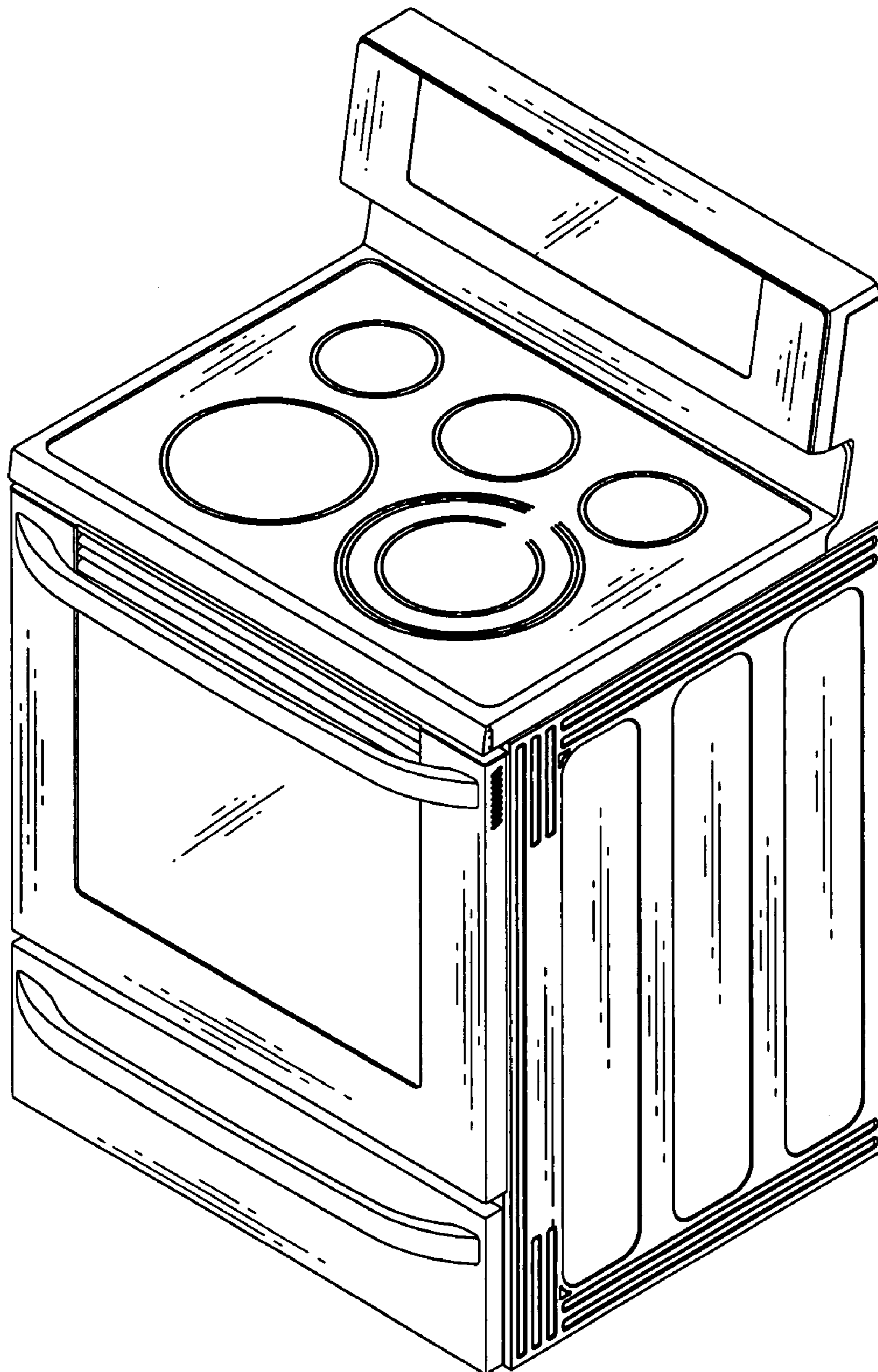


FIG. 2

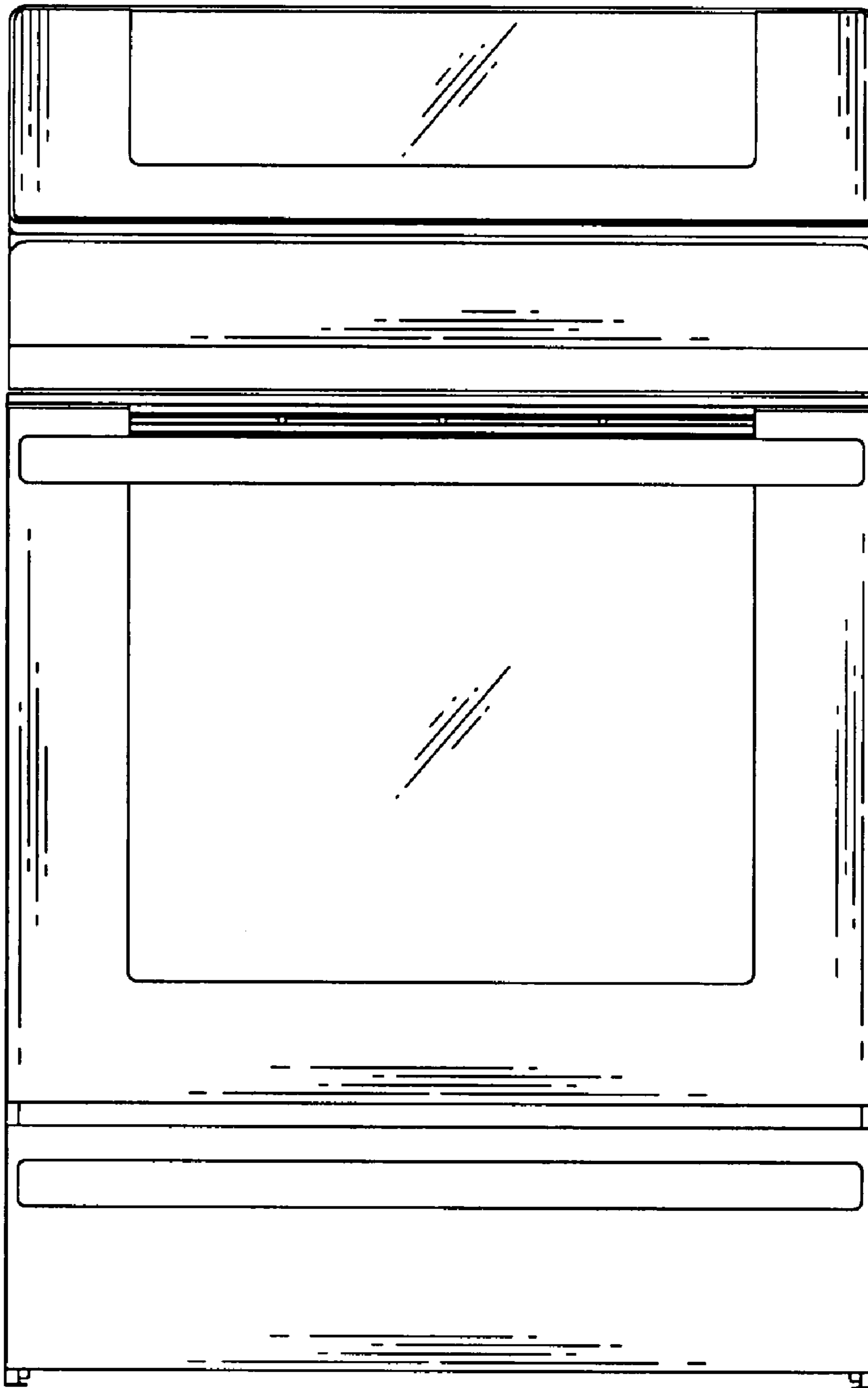


FIG. 3

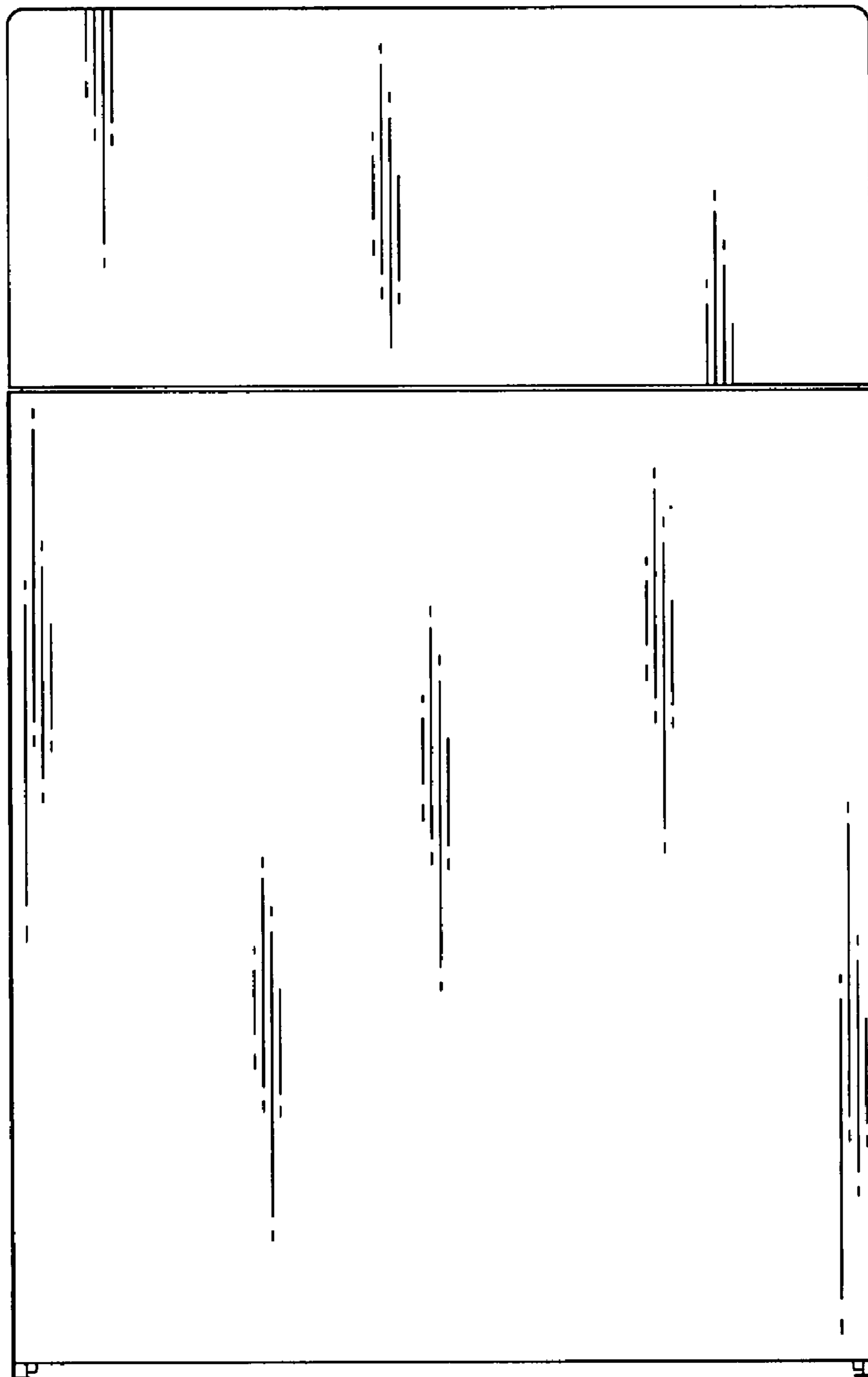


FIG. 4

FIG. 5

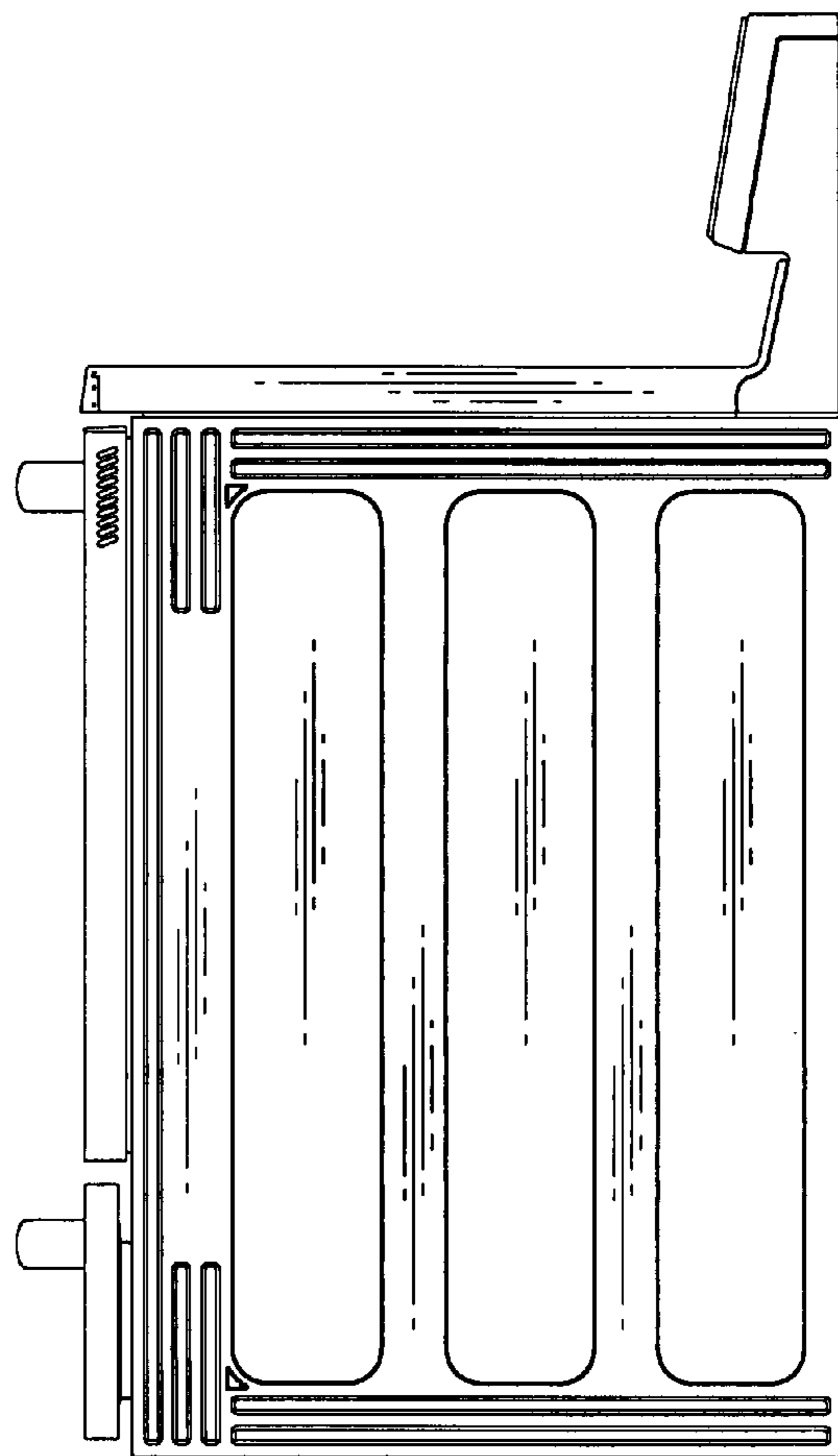
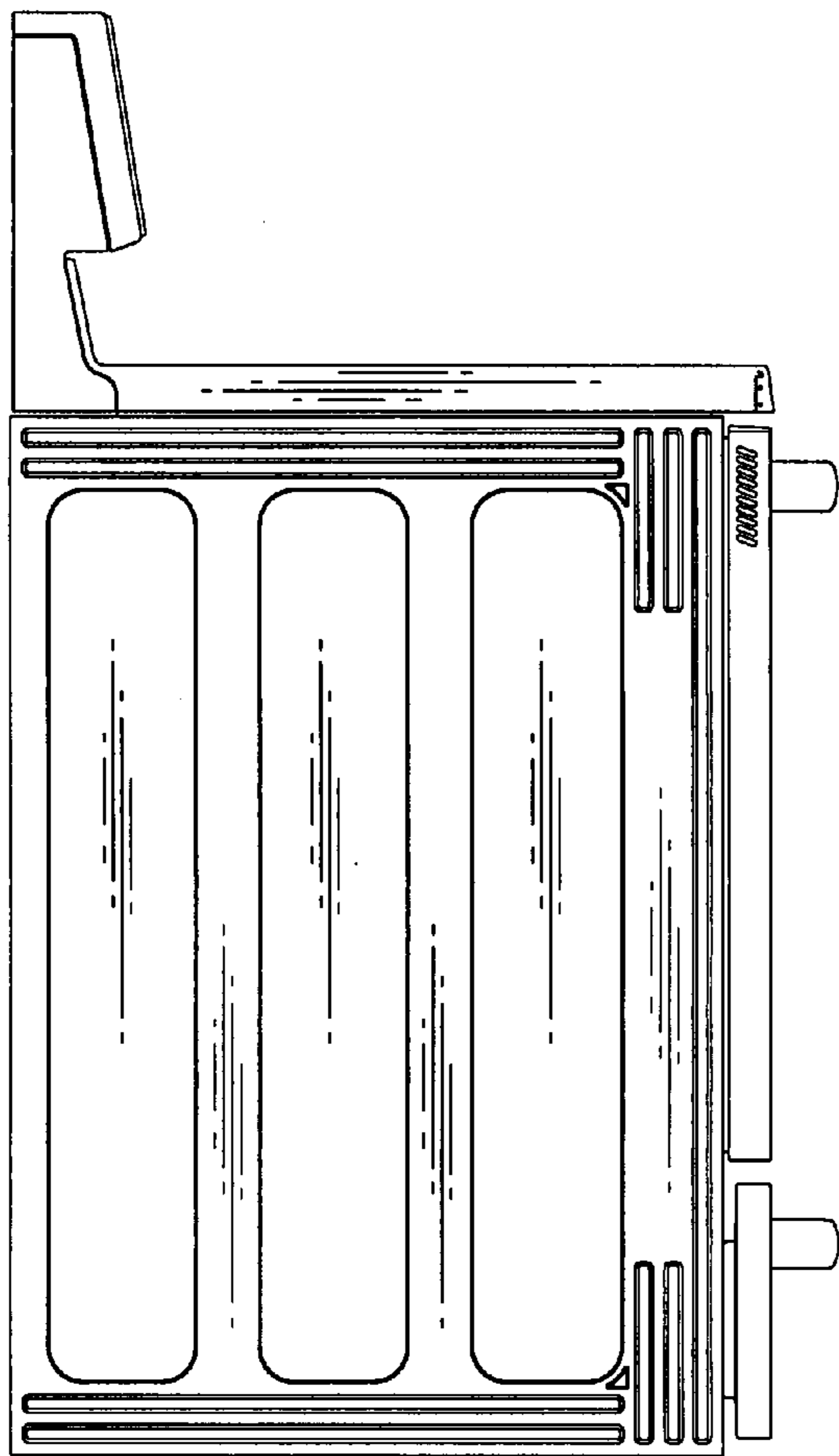


FIG. 6

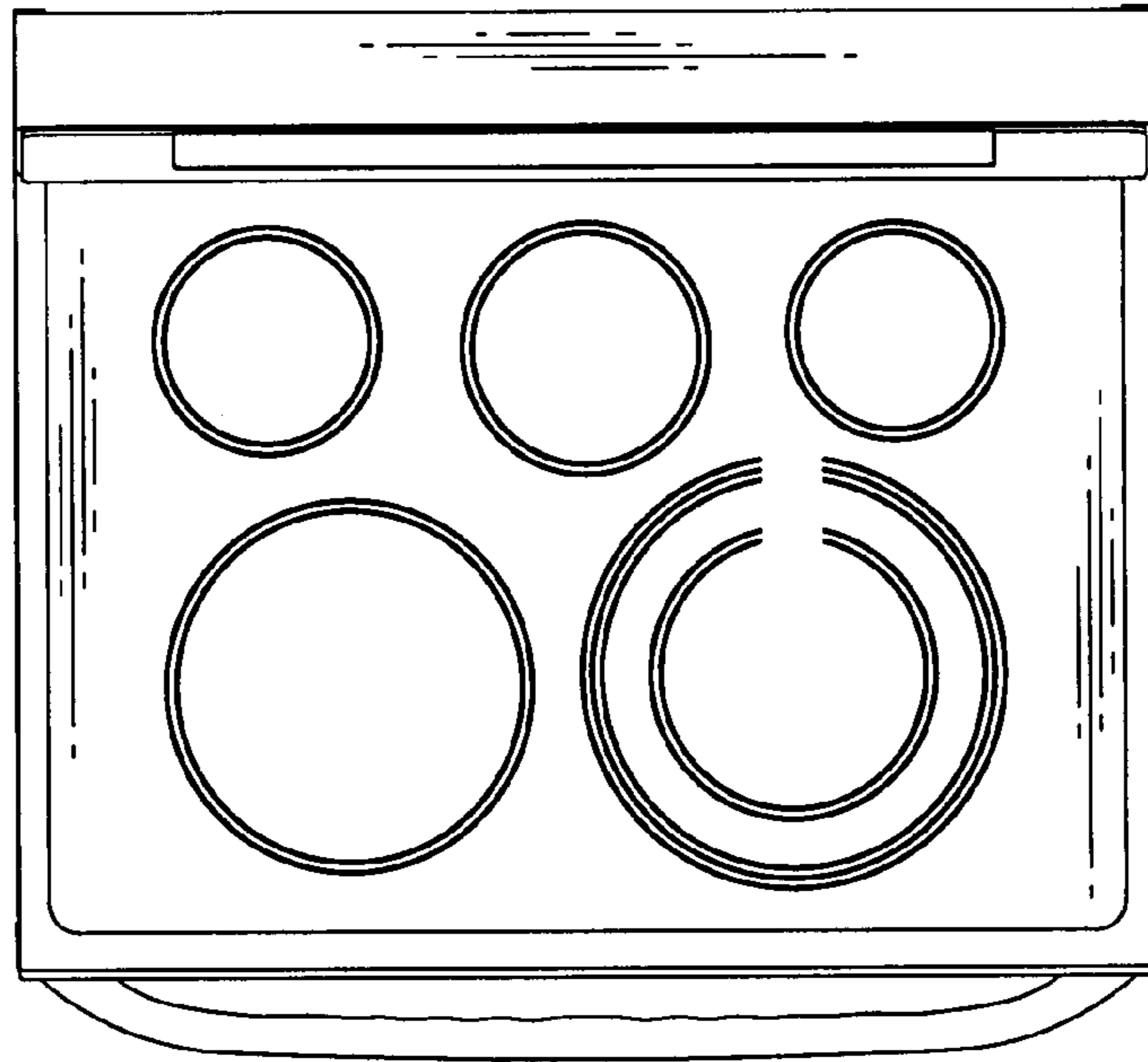


FIG. 7

