

US00D560956S

(12) **United States Design Patent**
Shin et al.

(10) **Patent No.:** **US D560,956 S**

(45) **Date of Patent:** **** Feb. 5, 2008**

(54) **COOK-TOP FOR INDUCTION OVEN RANGE**

D277,449 S * 2/1985 Vetter et al. D7/346
D537,291 S * 2/2007 Huxhold D7/346

(75) Inventors: **Dae Kee Shin**, Seoul (KR); **Soo Yeon Kim**, Gyeonggi-do (KR)

* cited by examiner

(73) Assignee: **LG Electronics Inc.**, Seoul (KR)

Primary Examiner—Catherine R. Oliver

(**) Term: **14 Years**

(74) *Attorney, Agent, or Firm*—Birch, Stewart, Kolasch & Birch, LLP

(21) Appl. No.: **29/273,273**

(57) **CLAIM**

(22) Filed: **Mar. 2, 2007**

We claim the ornamental design for cook-top for induction oven range, as shown and described.

(30) **Foreign Application Priority Data**

Sep. 15, 2006 (KR) 30-2006-0038155

DESCRIPTION

(51) **LOC (8) Cl.** **07-02**

FIG. 1 is a perspective view of cook-top for induction oven range showing the new design:

(52) **U.S. Cl.** **D7/346**

FIG. 2 is a front elevation view thereof;

(58) **Field of Classification Search** D7/323,
D7/339–348, 402–408; 219/391–392, 395,
219/445–446, 446.1, 460.1, 560; 126/198,
126/211, 39 B, 19 R, 39 C, 50, 39 R, 273 R
See application file for complete search history.

FIG. 3 is a rear elevation view thereof;

FIG. 4 is a left-side elevation view thereof;

FIG. 5 is a right-side elevation view thereof;

FIG. 6 is a top plan view thereof; and,

FIG. 7 is a bottom plan view thereof.

(56) **References Cited**

U.S. PATENT DOCUMENTS

D277,448 S * 2/1985 Vetter et al. D7/346

1 Claim, 4 Drawing Sheets

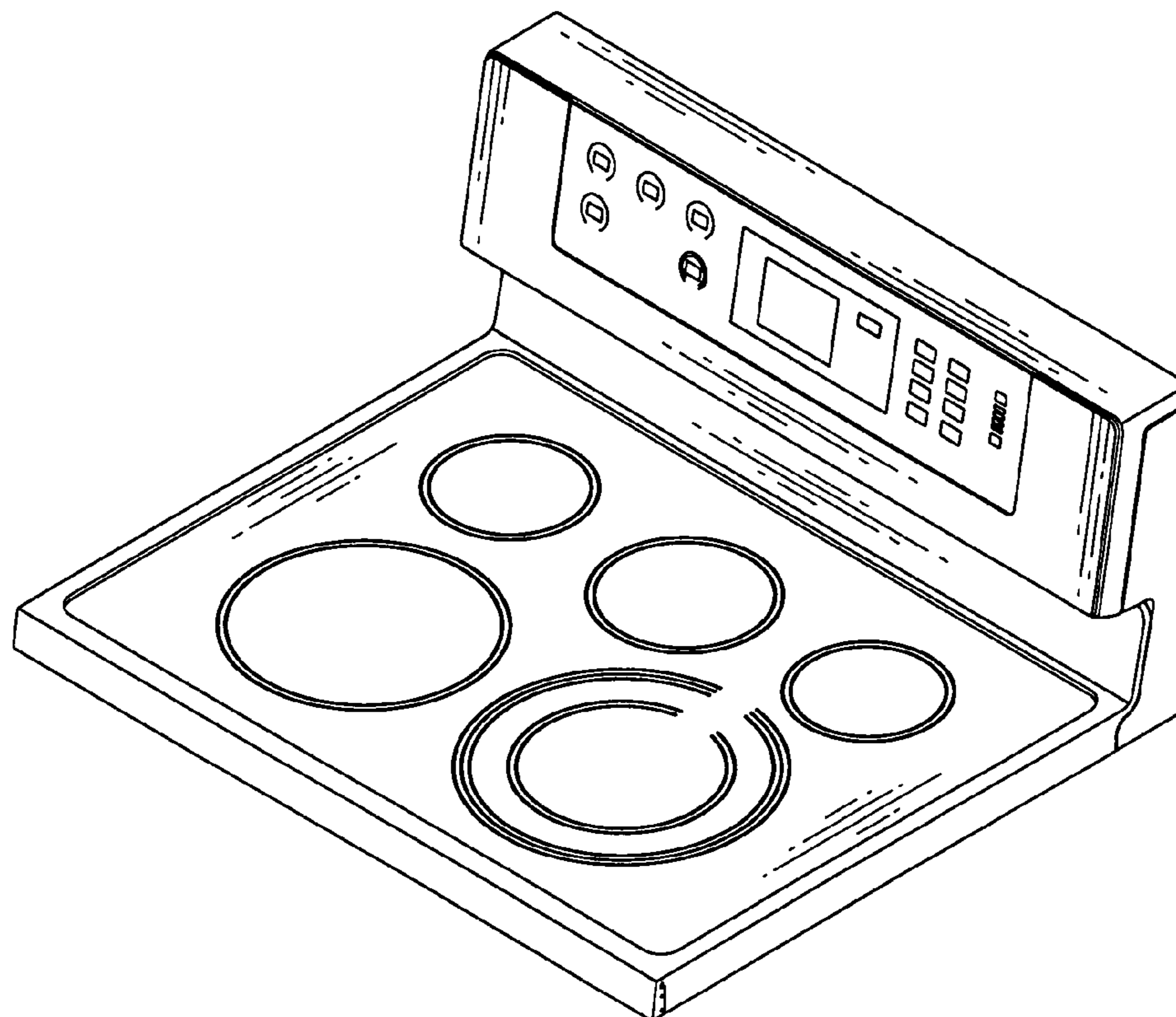


FIG. 1

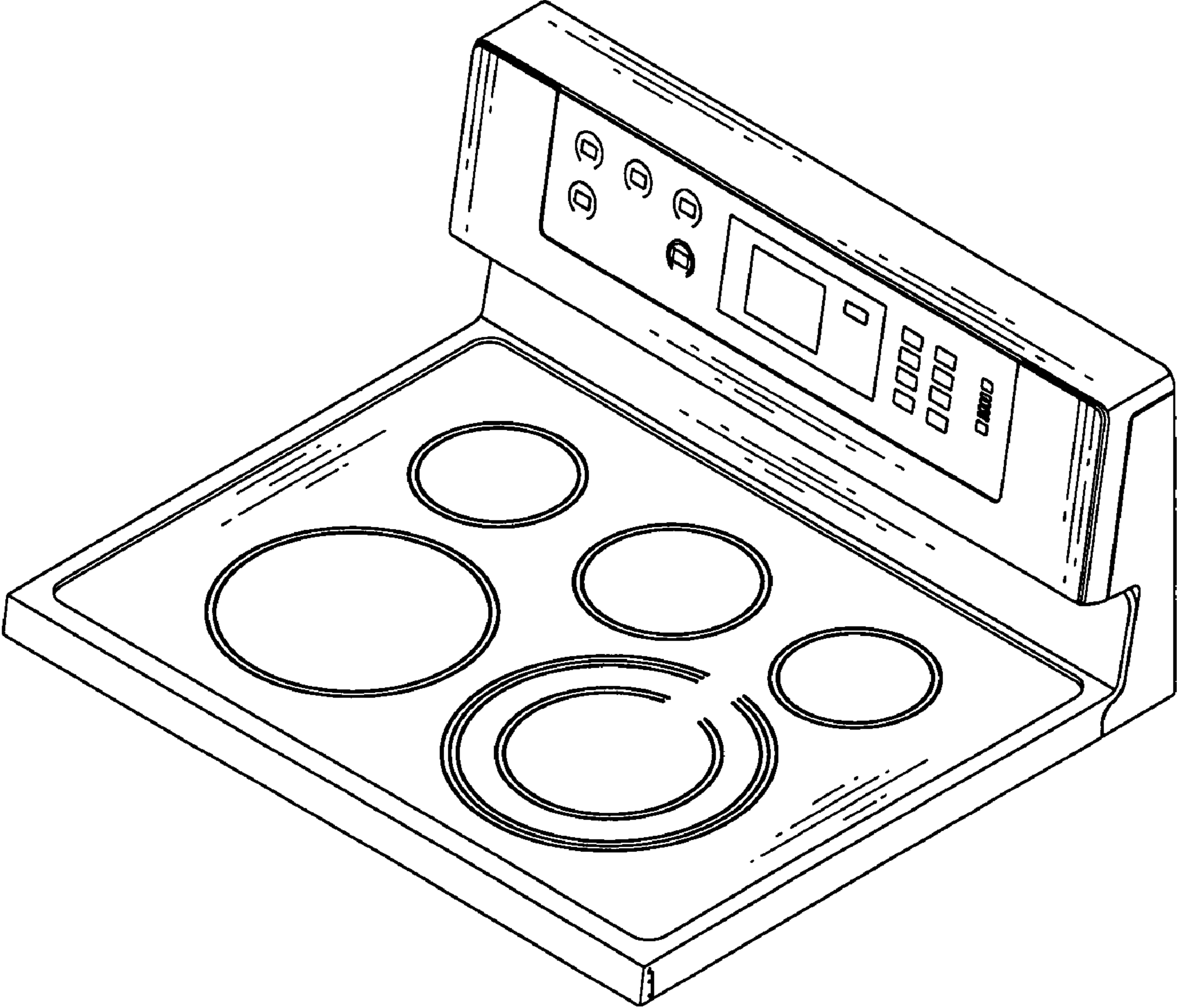


FIG. 2

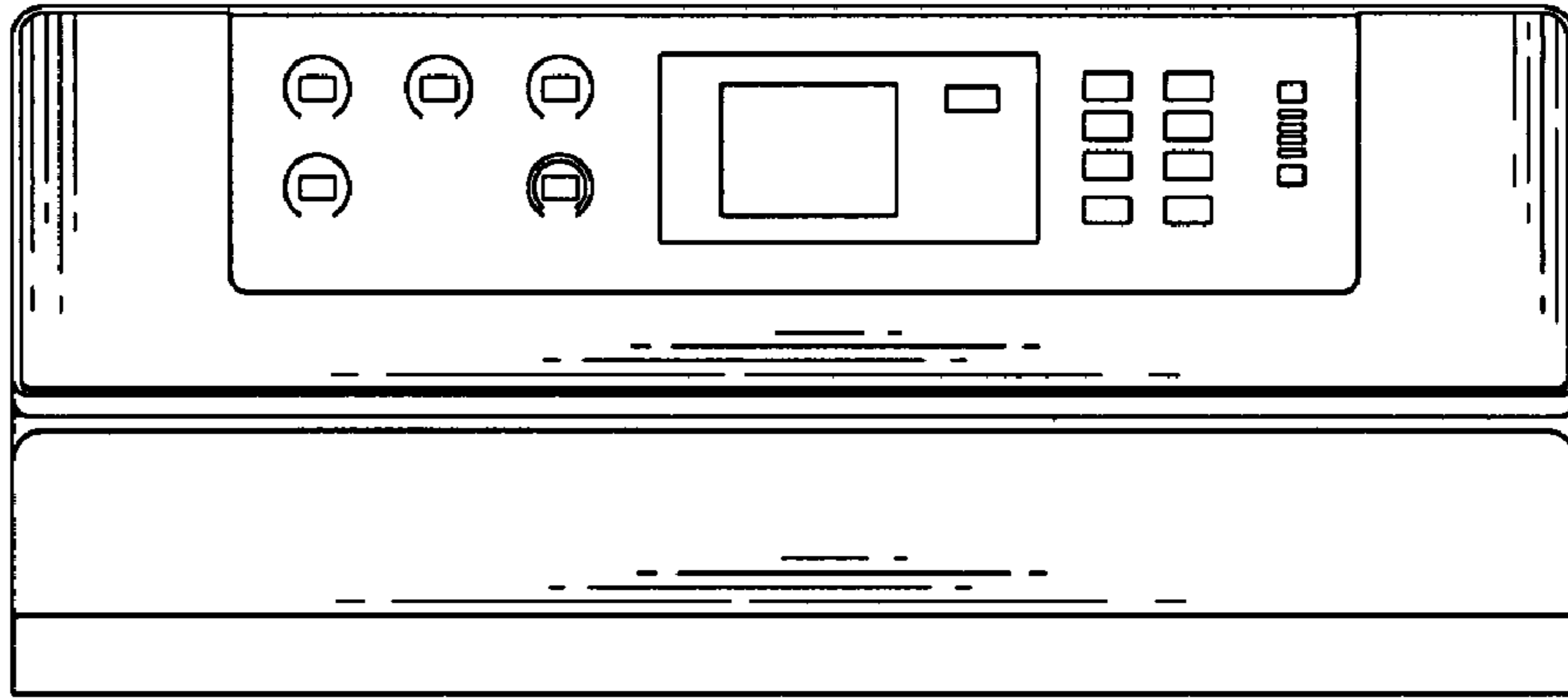


FIG. 3

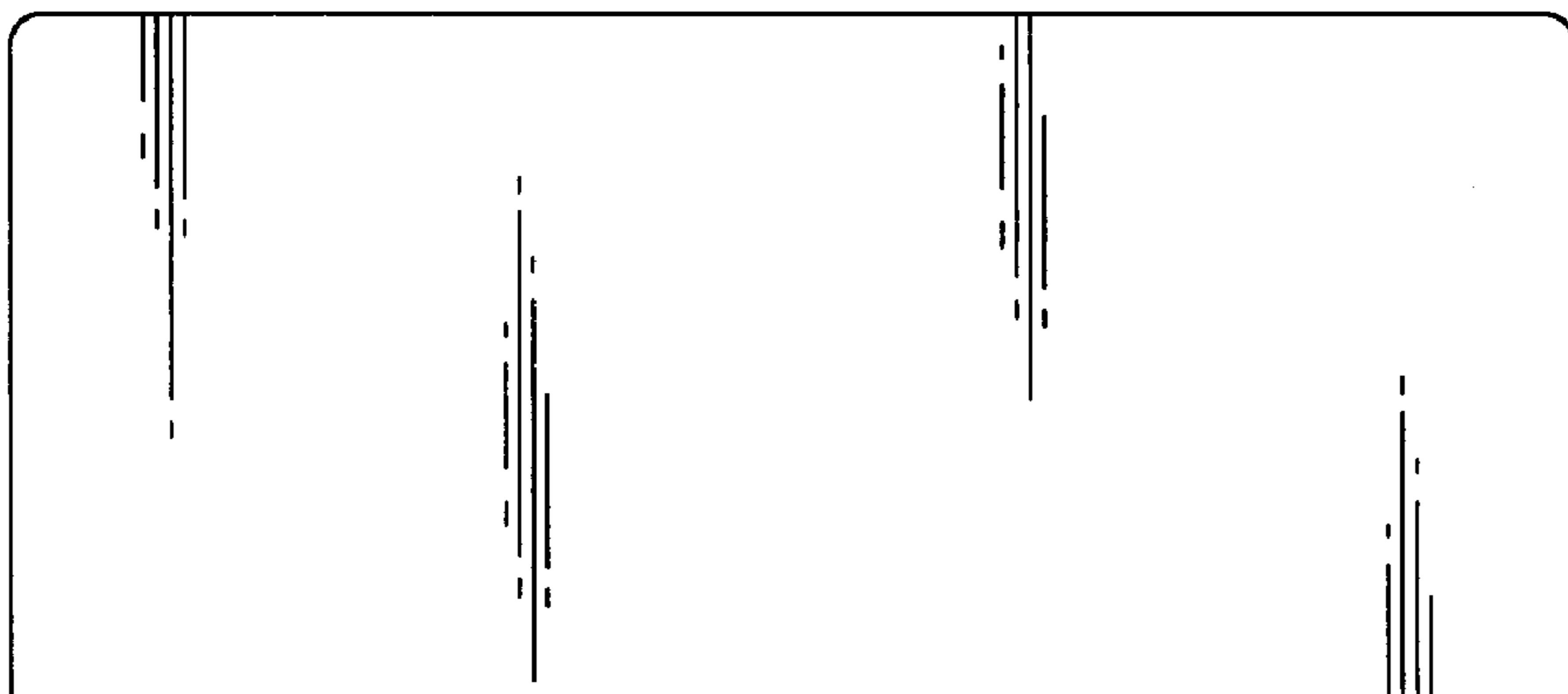


FIG. 4



FIG. 5



FIG. 6

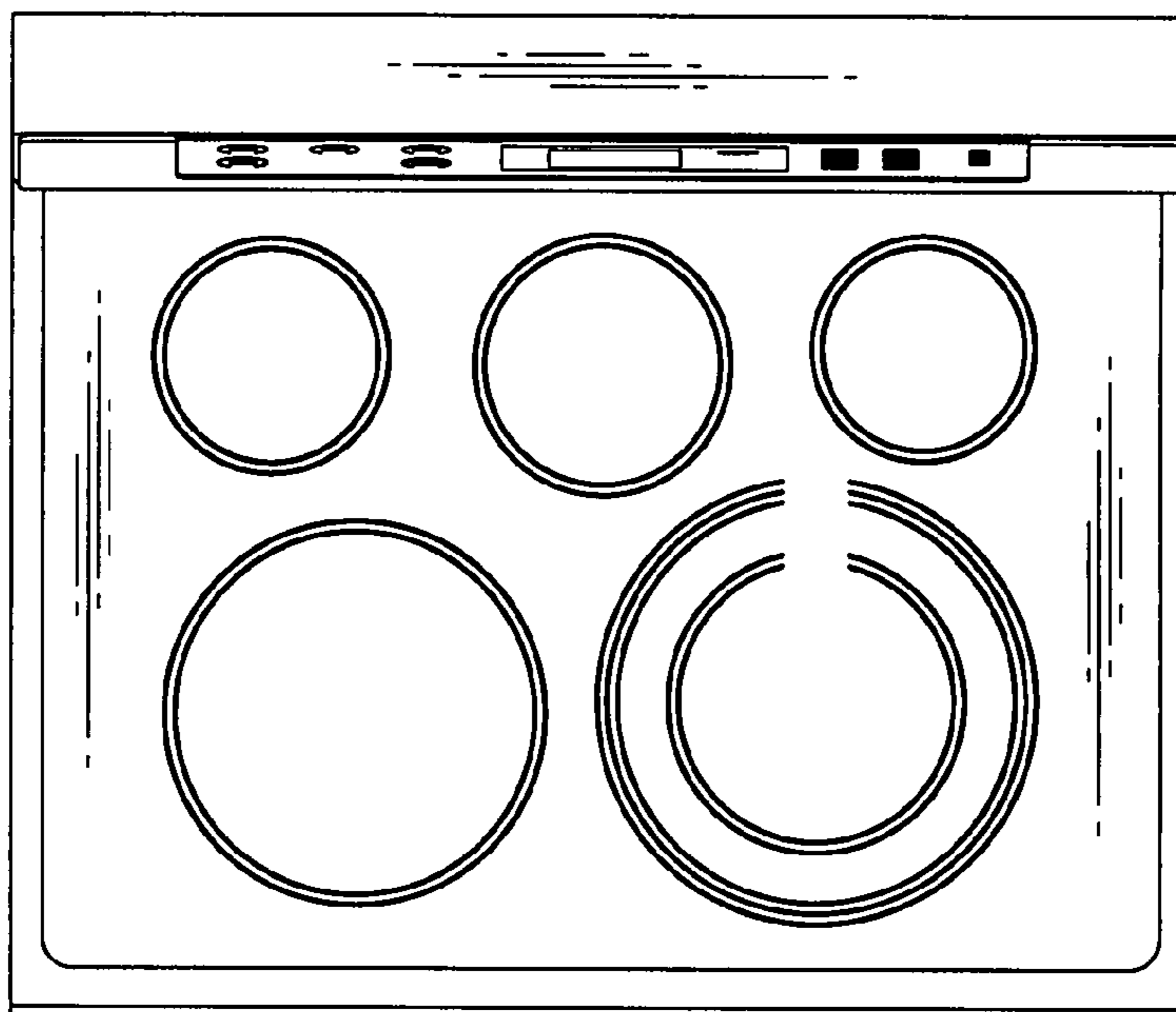


FIG. 7

