

US00D560953S

(12) **United States Design Patent**  
**Bruno et al.**

(10) **Patent No.:** **US D560,953 S**

(45) **Date of Patent:** **\*\* Feb. 5, 2008**

(54) **GRILL**

(75) Inventors: **Adrian A. Bruno**, Rolling Meadows, IL (US); **Daniel S. Choi**, Rolling Meadows, IL (US); **Charles Choi**, Chicago, IL (US)

(73) Assignee: **Weber-Stephen Products Co.**, Palatine, IL (US)

(\*\*) Term: **14 Years**

(21) Appl. No.: **29/256,978**

(22) Filed: **Mar. 27, 2006**

(51) **LOC (8) Cl.** ..... **07-02**

(52) **U.S. Cl.** ..... **D7/334**

(58) **Field of Classification Search** ..... D7/332-337, D7/402-405; D23/335-336, 343; 126/500, 126/506, 519, 40, 50, 9 R, 9 B, 25 R, 25 A, 126/304 R, 305, 268, 276, 41 R, 37 R; 99/445, 99/448, 481-482; 248/128-129; 312/249.8, 312/249.13, 351.2; D6/511, 574

See application file for complete search history.

(56) **References Cited**

**U.S. PATENT DOCUMENTS**

D471,057 S \* 3/2003 Chung ..... D7/334  
D503,065 S \* 3/2005 Pai ..... D7/334

D521,308 S \* 5/2006 Tseng ..... D7/334  
D528,349 S \* 9/2006 Chung ..... D7/334  
D529,330 S \* 10/2006 Chung ..... D7/334  
D533,011 S \* 12/2006 Pai ..... D7/334  
D535,139 S \* 1/2007 Lutz ..... D7/334  
D535,846 S \* 1/2007 Debord et al. .... D7/334  
D536,918 S \* 2/2007 Wood ..... D7/334  
2006/0081236 A1\* 4/2006 Johnston et al. .... 126/25 R

\* cited by examiner

*Primary Examiner*—Ruth McInroy

(74) *Attorney, Agent, or Firm*—Baker & McKenzie LLP; David I. Roche; Daniel A. Tallitsch

(57) **CLAIM**

The ornamental design for a grill, as shown and described.

**DESCRIPTION**

FIG. 1 is a perspective view of a grill embodying the invention;

FIG. 2 is a front view thereof;

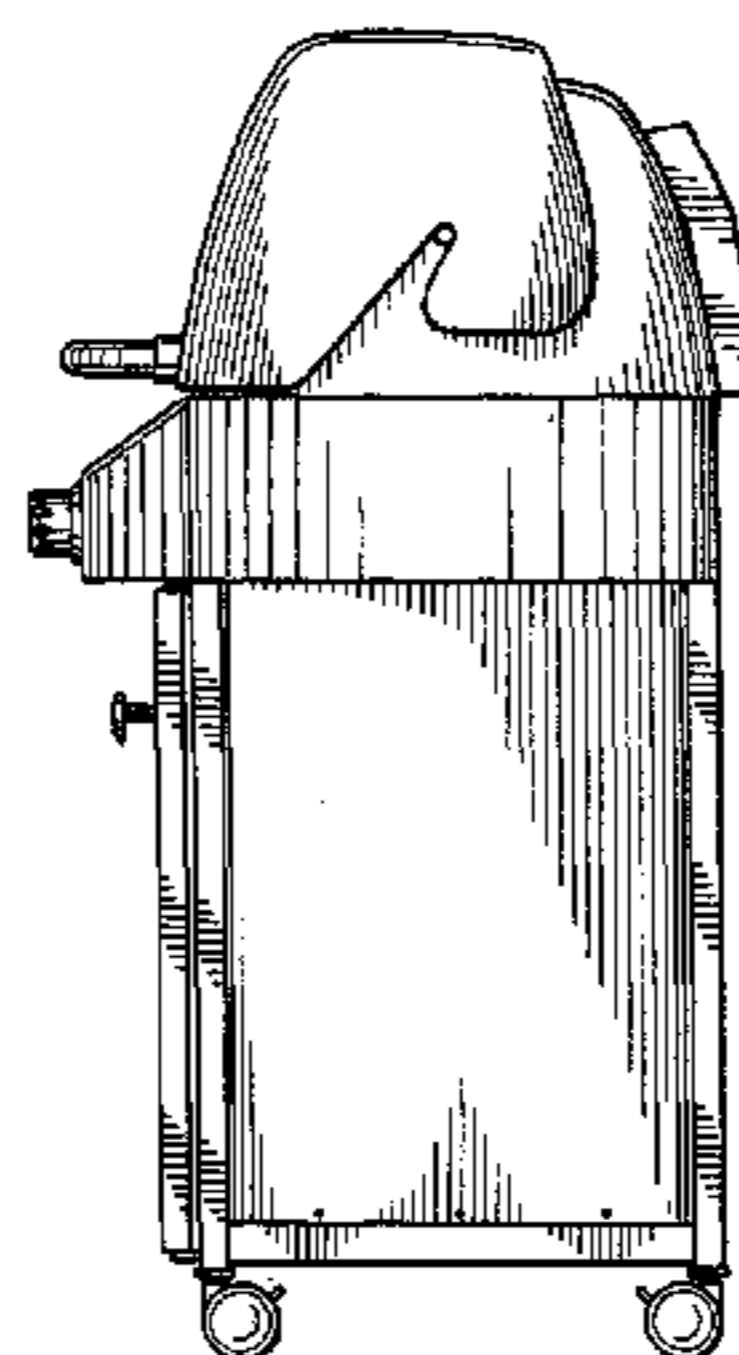
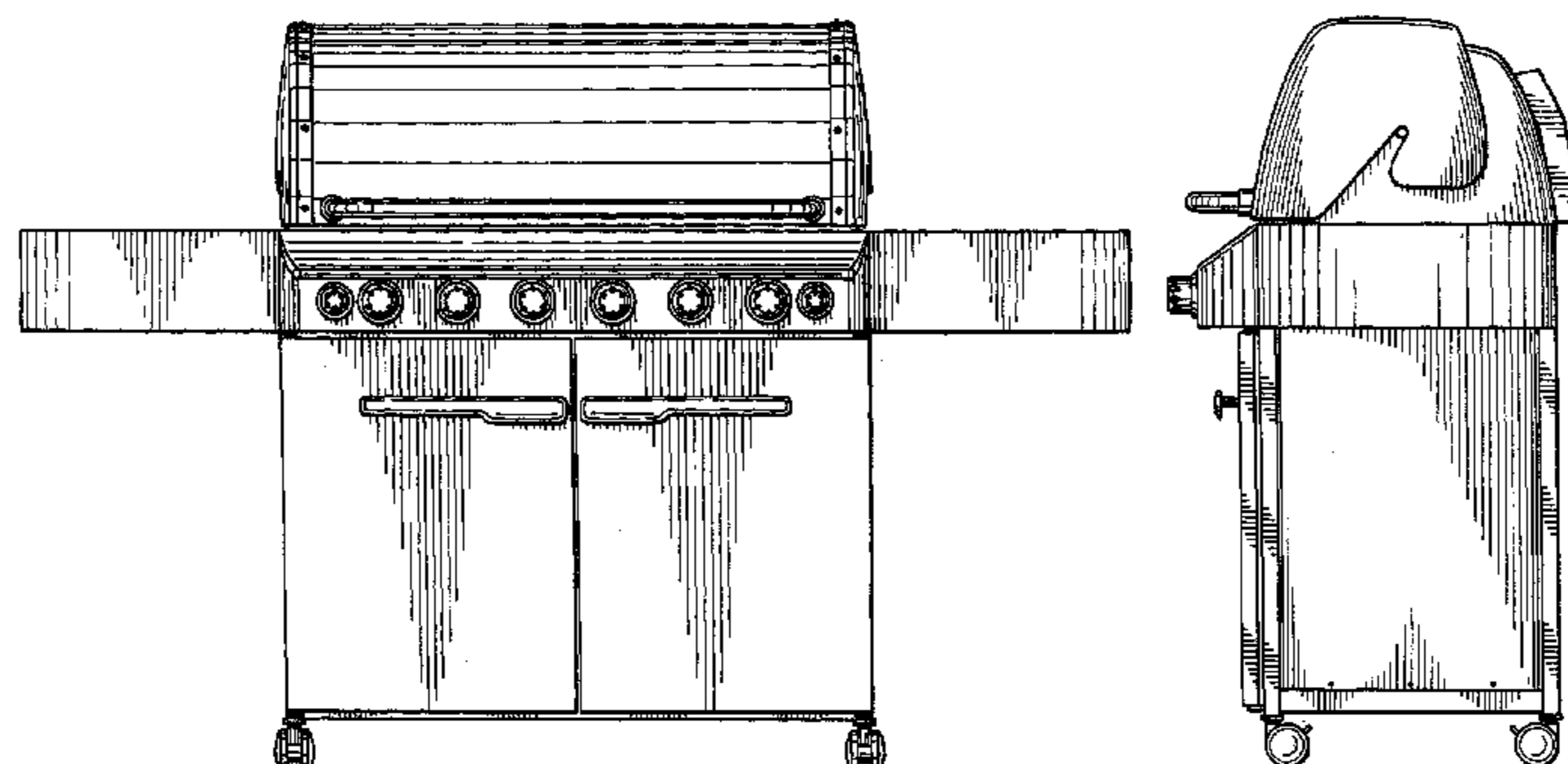
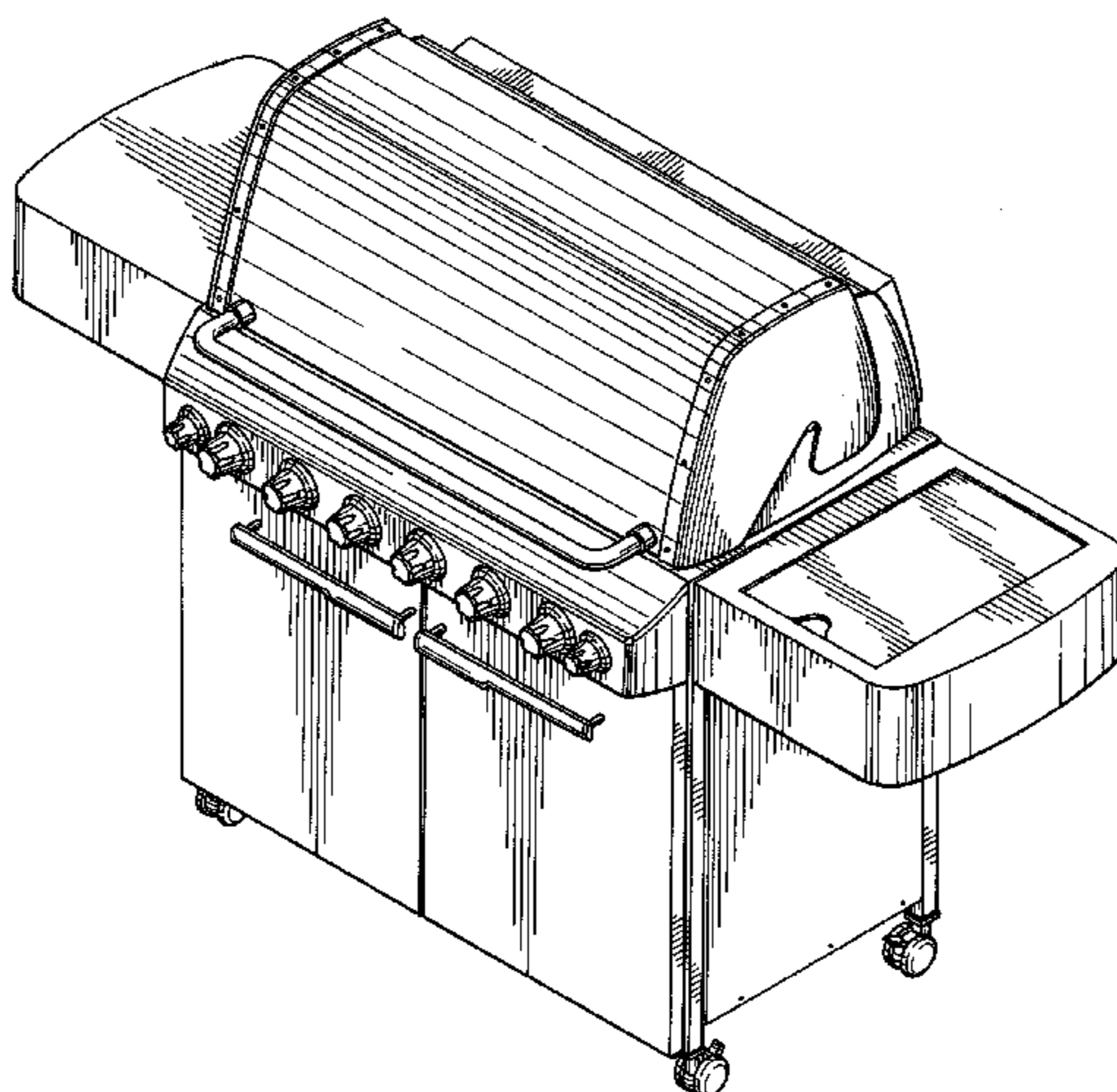
FIG. 3 is a rear view thereof;

FIG. 4 is a right side view thereof (the left side being a mirror image thereof);

FIG. 5 is a top view thereof; and,

FIG. 6 is a bottom view thereof.

**1 Claim, 3 Drawing Sheets**



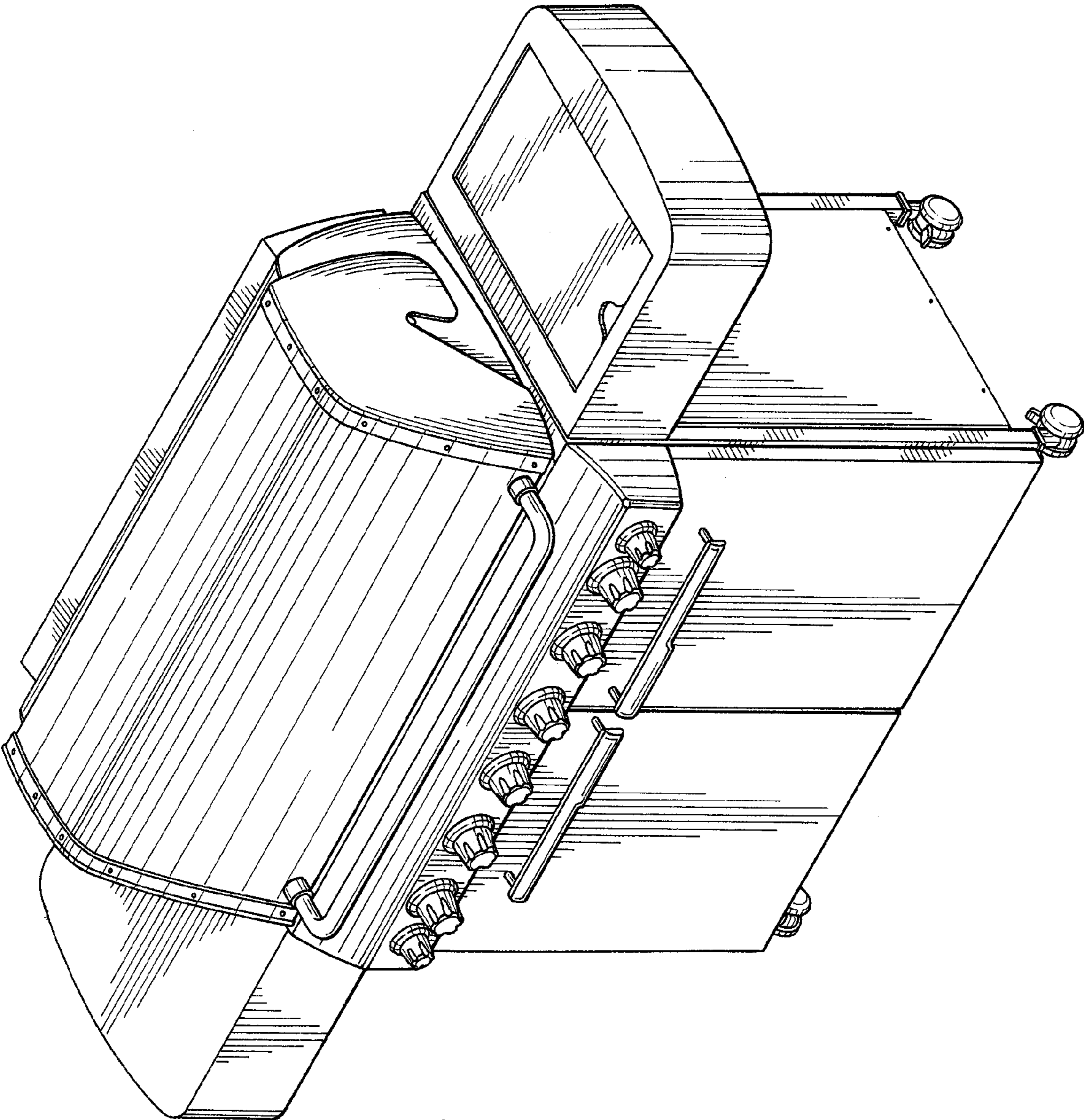
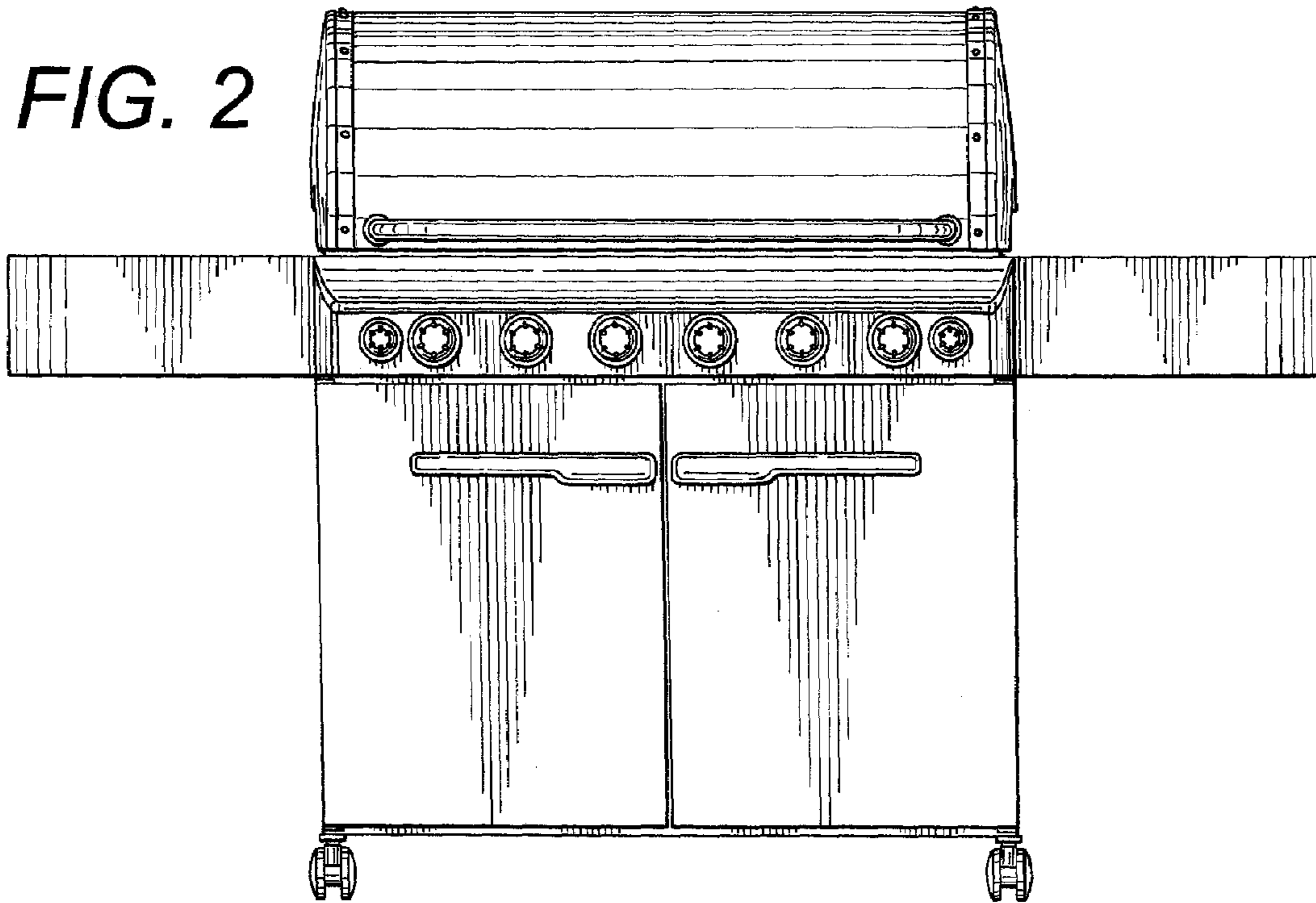
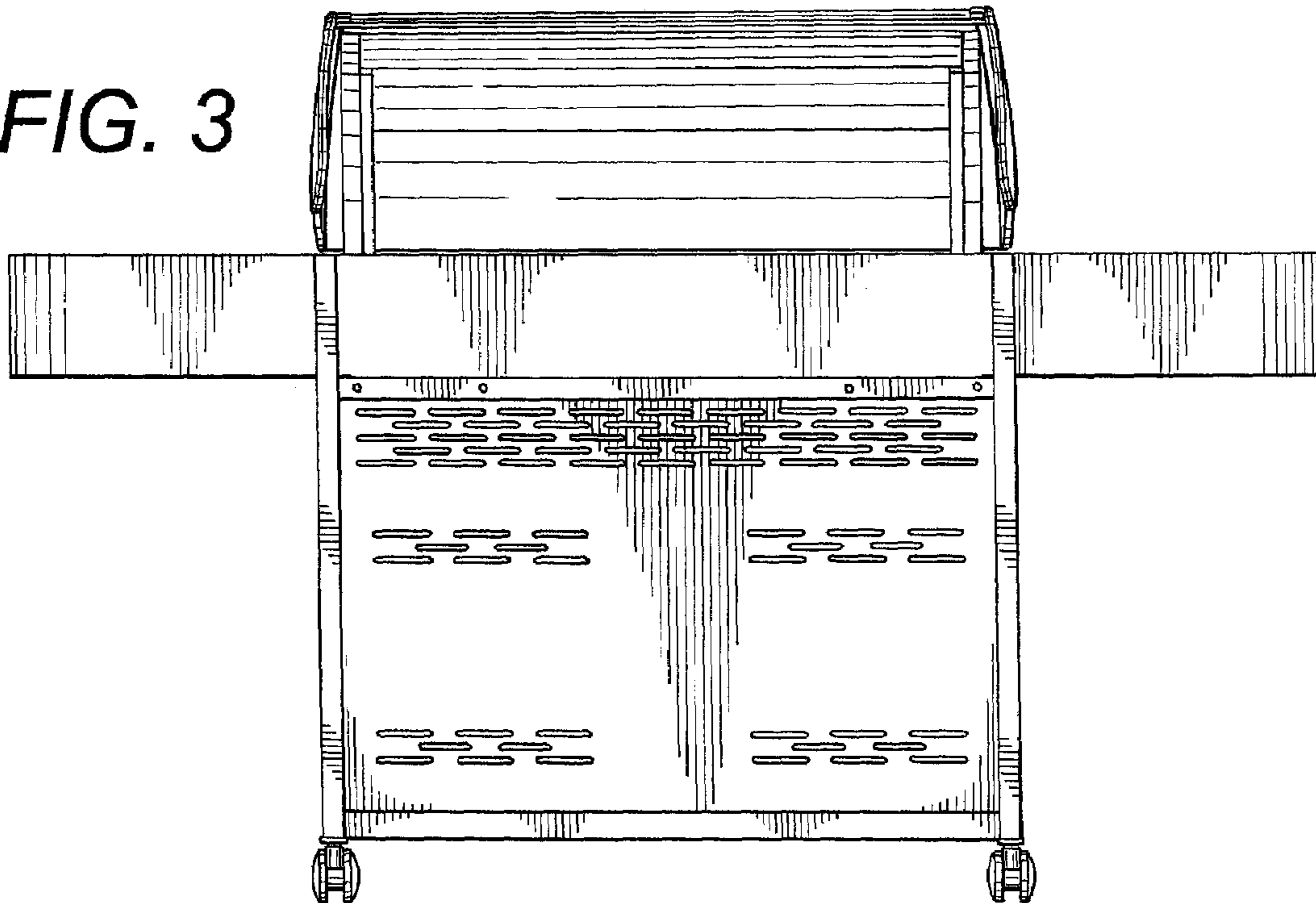


FIG. 1

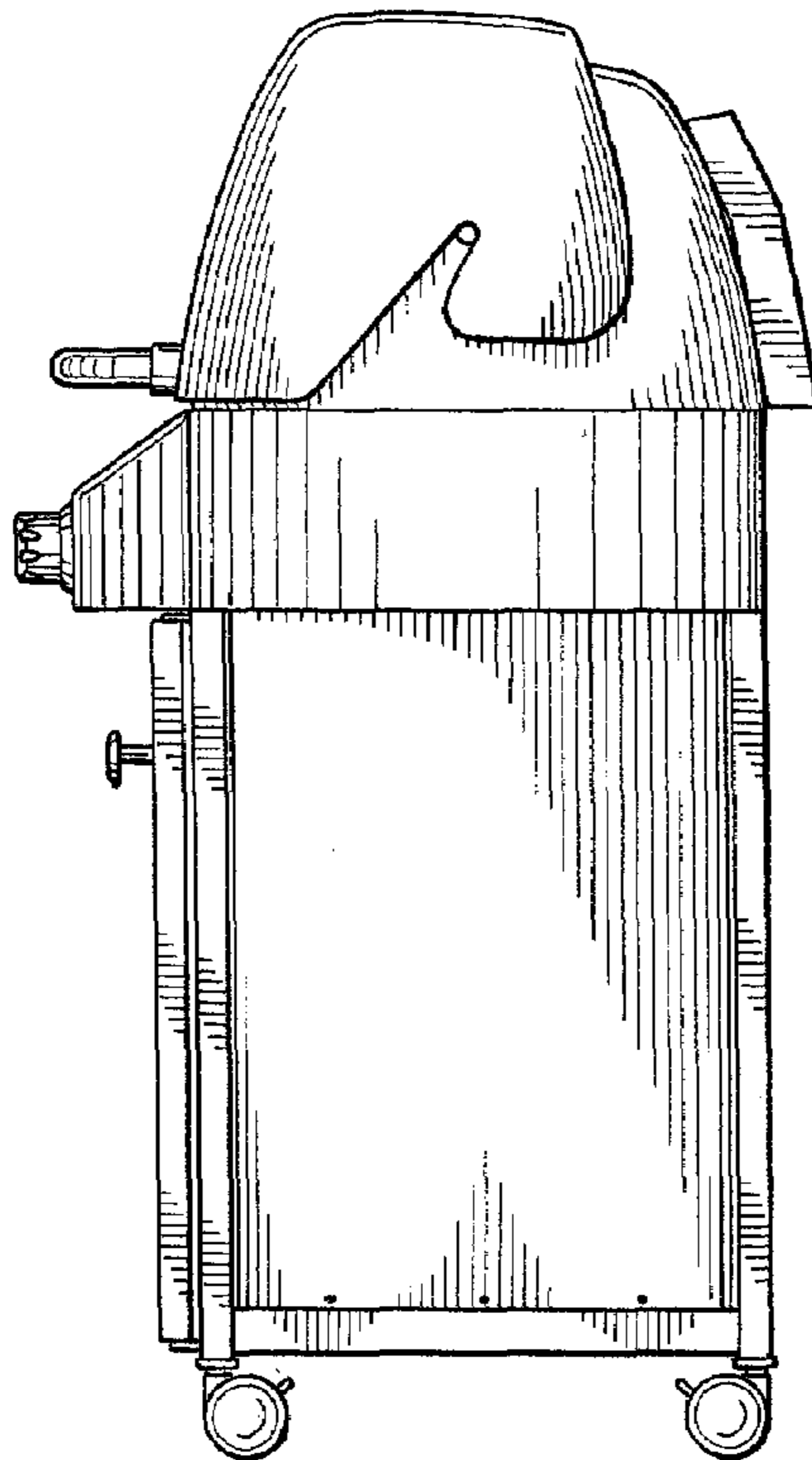
*FIG. 2*



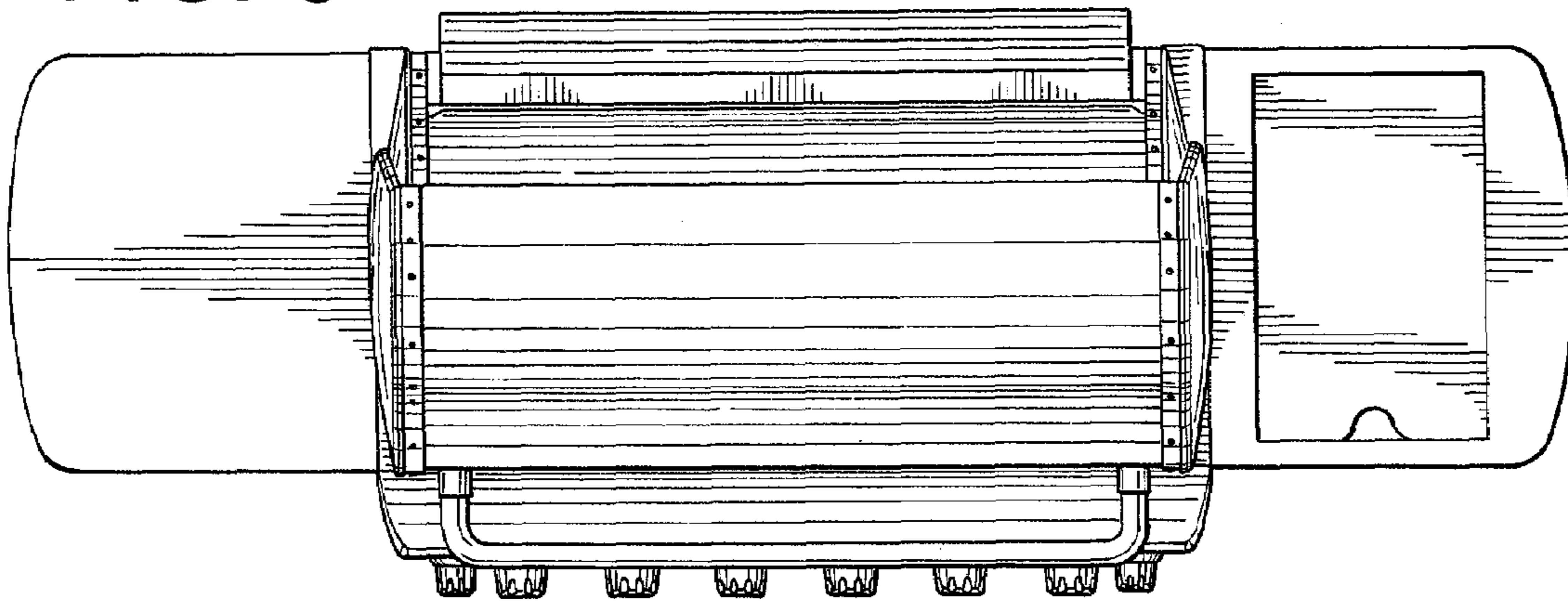
*FIG. 3*



**FIG. 4**



**FIG. 5**



**FIG. 6**

