



US00D560946S

(12) **United States Design Patent**
Malone

(10) **Patent No.:** **US D560,946 S**

(45) **Date of Patent:** **** Feb. 5, 2008**

(54) **TIRE MUD REMOVAL PLATE**

(76) Inventor: **Morris Malone**, 11124 Valley Ave.
East, Puyallup, WA (US) 98372

(**) Term: **14 Years**

(21) Appl. No.: **29/285,663**

(22) Filed: **Apr. 4, 2007**

(51) **LOC (8) Cl.** **06-11**

(52) **U.S. Cl.** **D6/582**

(58) **Field of Classification Search** D6/582-595,
D6/604; D5/59; D12/203, 425; D29/109;
428/159; 5/417, 418, 419, 420; 15/215,
15/216, 217

See application file for complete search history.

(56) **References Cited**

U.S. PATENT DOCUMENTS

- D242,136 S * 11/1976 Matlock D12/425
- D353,071 S * 12/1994 Roberts D6/583
- D355,321 S * 2/1995 Giles D6/582
- D378,645 S * 4/1997 Reardon D6/582
- D400,040 S * 10/1998 Pawson et al. D6/582

- D485,110 S * 1/2004 Theorin D6/582
- D499,924 S * 12/2004 Lee D6/582
- D512,868 S * 12/2005 Eberwein D6/582

* cited by examiner

Primary Examiner—T. Chase Nelson

Assistant Examiner—Barbara B Lohr

(74) *Attorney, Agent, or Firm*—Dean A. Craine

(57) **CLAIM**

The ornamental design for a tire mud removal plate, as shown and described.

DESCRIPTION

FIG. 1 is a perspective view of a tire mud removal plate.

FIG. 2 is a top plan view of the invention.

FIG. 3 is a bottom elevational view of the invention.

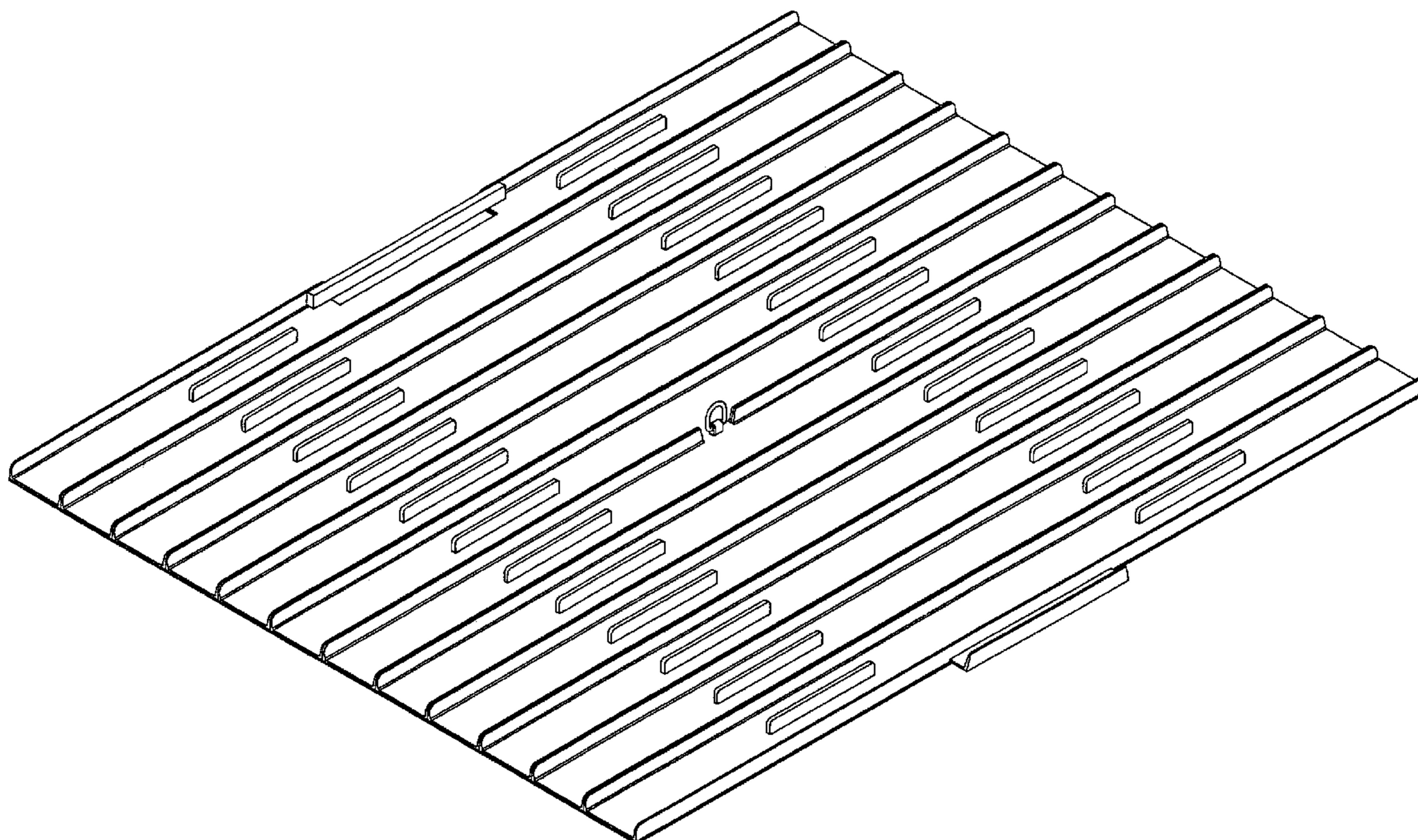
FIG. 4 is a rear elevational view of the invention.

FIG. 5 is a front elevational view of the invention.

FIG. 6 is a left side elevational view of the invention; and,

FIG. 7 is a right side elevational view of the invention.

1 Claim, 3 Drawing Sheets



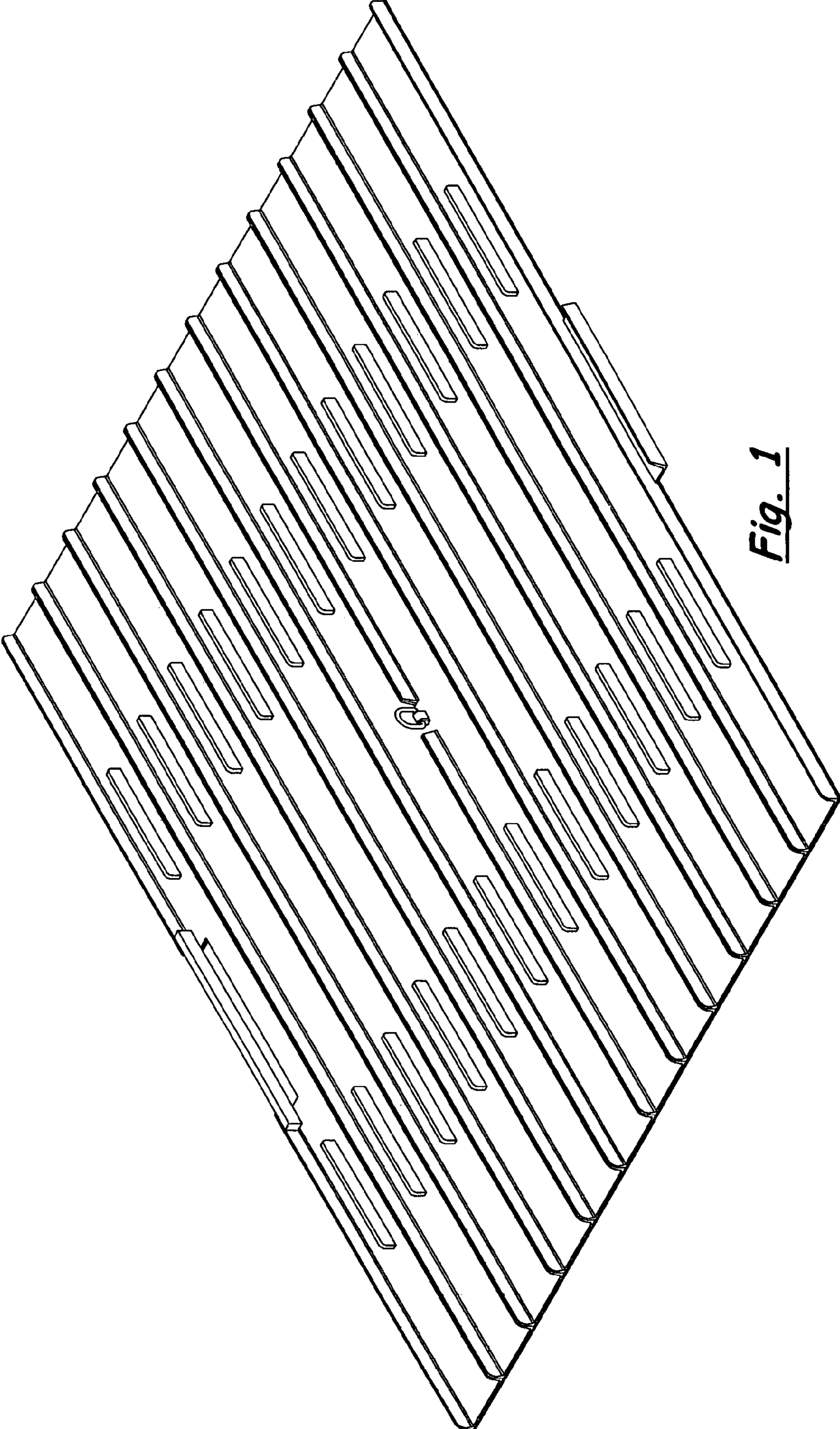


Fig. 1

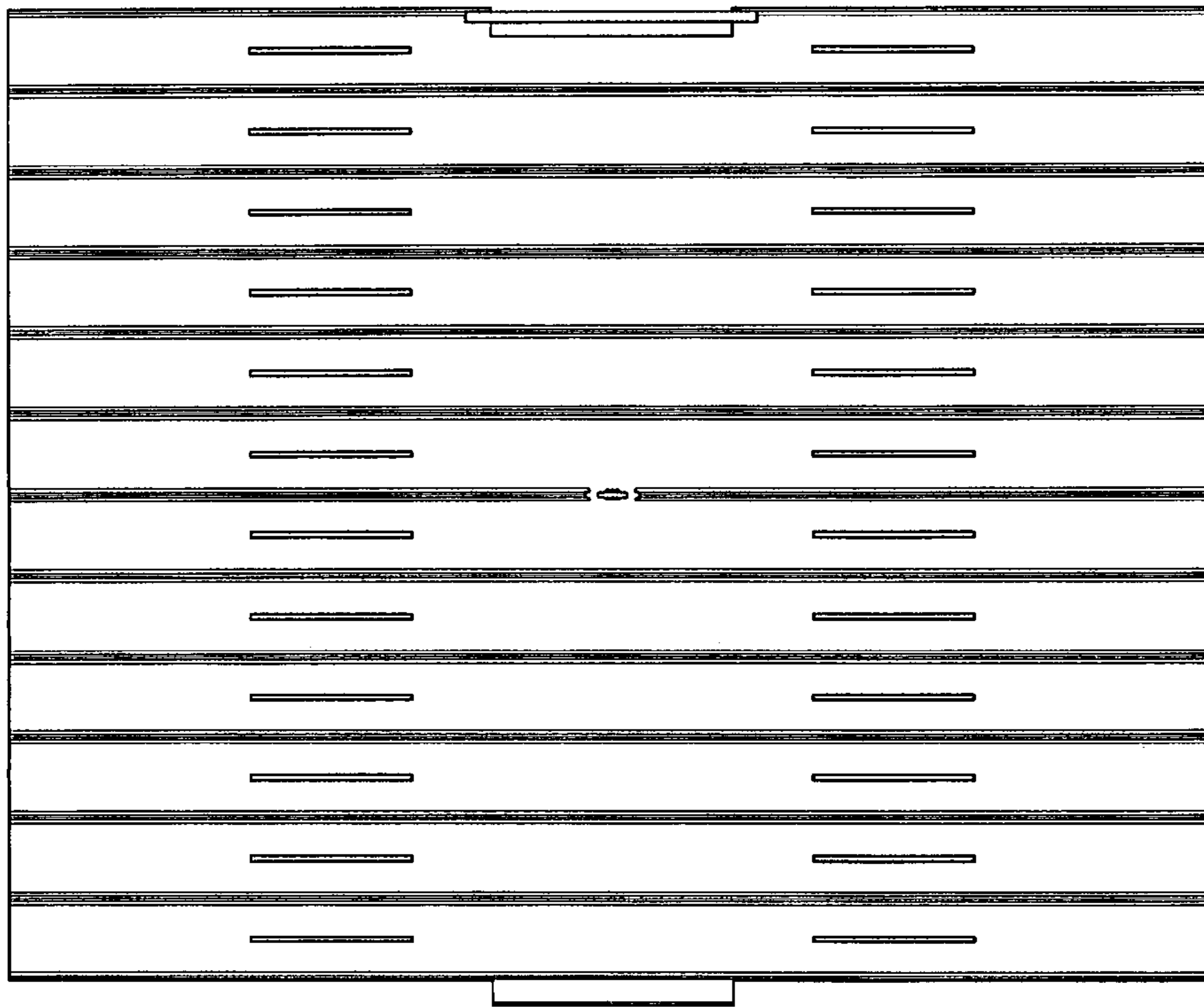


Fig. 2

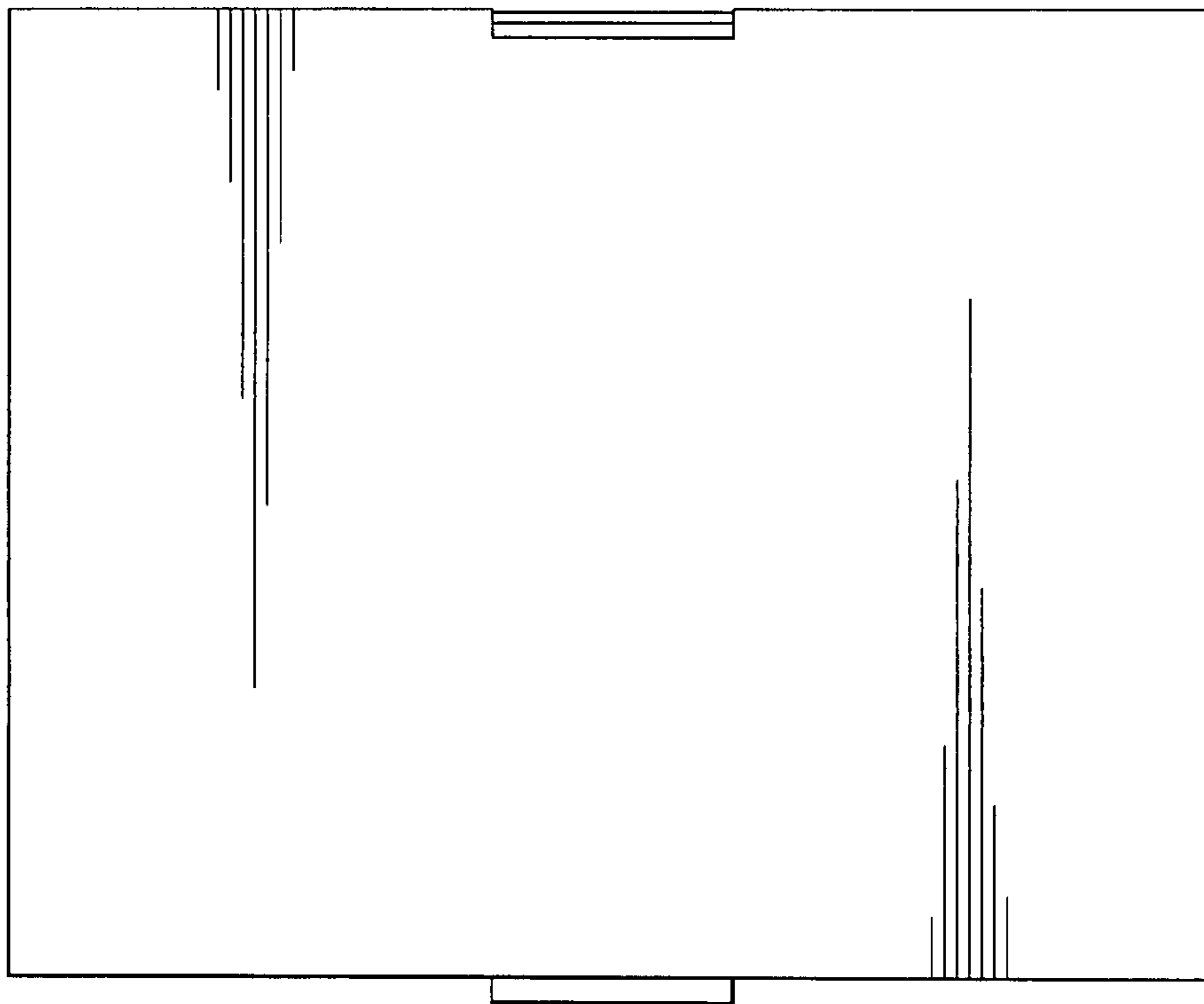


Fig. 3



Fig. 4



Fig. 5

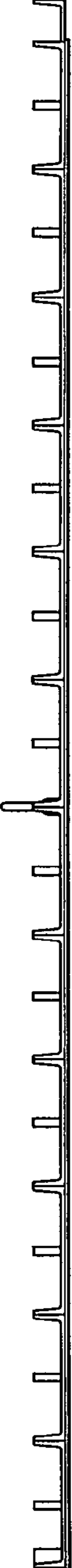


Fig. 6

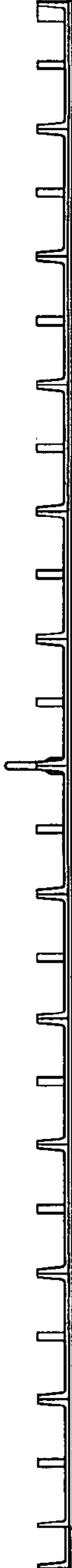


Fig. 7