



US00D560943S

(12) **United States Design Patent**
Hurd

(10) **Patent No.:** **US D560,943 S**

(45) **Date of Patent:** **** Feb. 5, 2008**

(54) **LEASH HOLDER**

D459,130 S * 6/2002 Annan D6/553
D460,652 S * 7/2002 Mahoney D6/552

(76) Inventor: **David Hurd**, 1369 Ferguson Street,
Ottawa, Ontario (CA) K2C 2K8

* cited by examiner

(**) Term: **14 Years**

Primary Examiner—Brian N Vinson
(74) *Attorney, Agent, or Firm*—David V. Radack; Eckert
Seamans Cherin & Mellott, LLC

(21) Appl. No.: **29/276,385**

(22) Filed: **Jan. 24, 2007**

(57) **CLAIM**

(51) **LOC (8) Cl.** **06-04**

The ornamental design for a leash holder, as shown and described.

(52) **U.S. Cl.** **D6/567**

(58) **Field of Classification Search** D6/552,
D6/553, 567; D8/367; 211/13.1, 86.01,
211/87.01, 105.1, 106.1; 248/466, 309.1,
248/309.2

See application file for complete search history.

DESCRIPTION

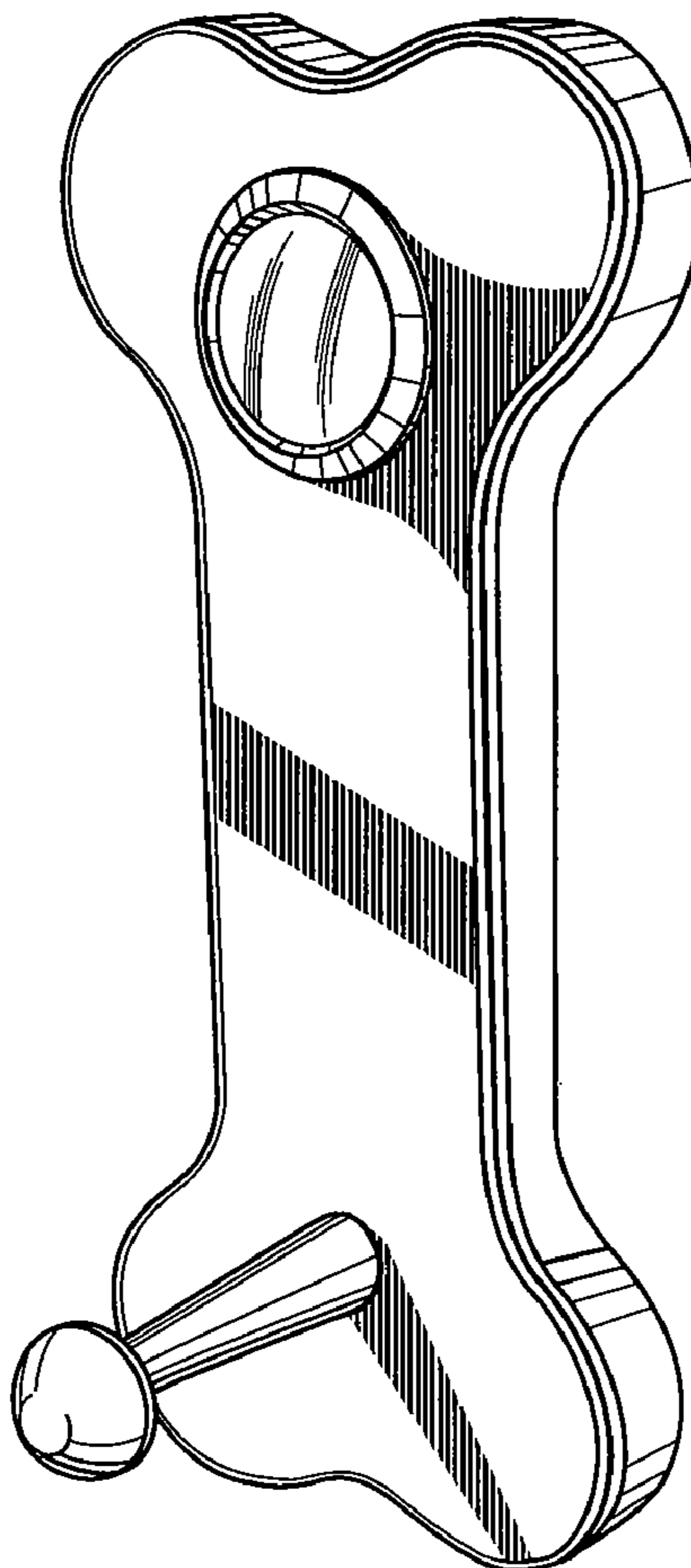
(56) **References Cited**

U.S. PATENT DOCUMENTS

D275,248 S * 8/1984 Parker D6/567
D322,747 S * 12/1991 Leto D8/367
D326,405 S * 5/1992 Leto D6/552
D328,416 S * 8/1992 Karrer et al. D8/367
D423,339 S * 4/2000 Snell D6/567
D443,161 S * 6/2001 Mahlmann D6/567

FIG. 1 is an isometric view of the leash holder;
FIG. 2 is a front view of the leash holder of FIG. 1;
FIG. 3 is a back view of the leash holder of FIG. 1;
FIG. 4 is a side view of the leash holder of FIG. 1;
FIG. 5 is a top view of the leash holder of FIG. 1;
FIG. 6 is a bottom view of the leash holder of FIG. 1; and,
FIG. 7 is an isometric view of an alternative embodiment of
leash holder according to the present invention.

1 Claim, 3 Drawing Sheets



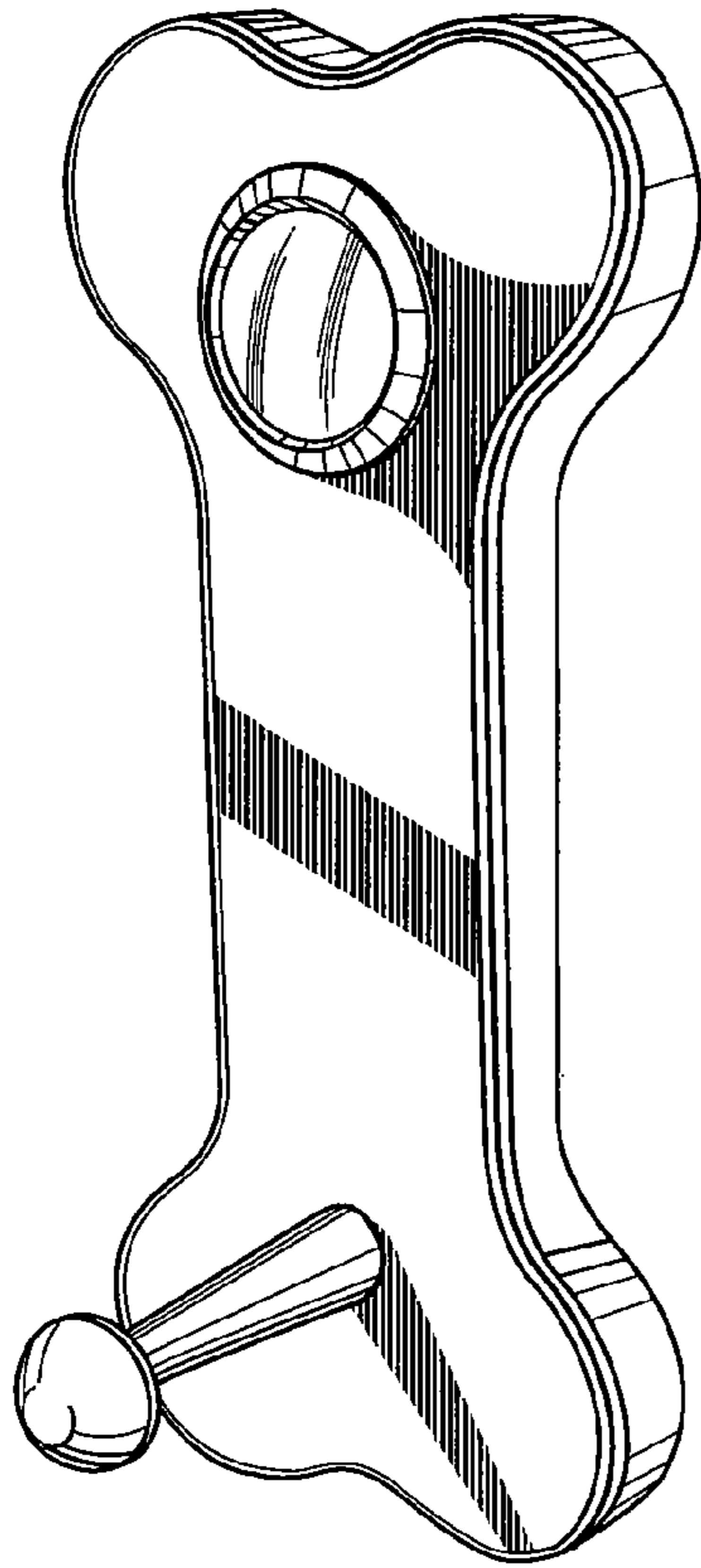


FIG. 1

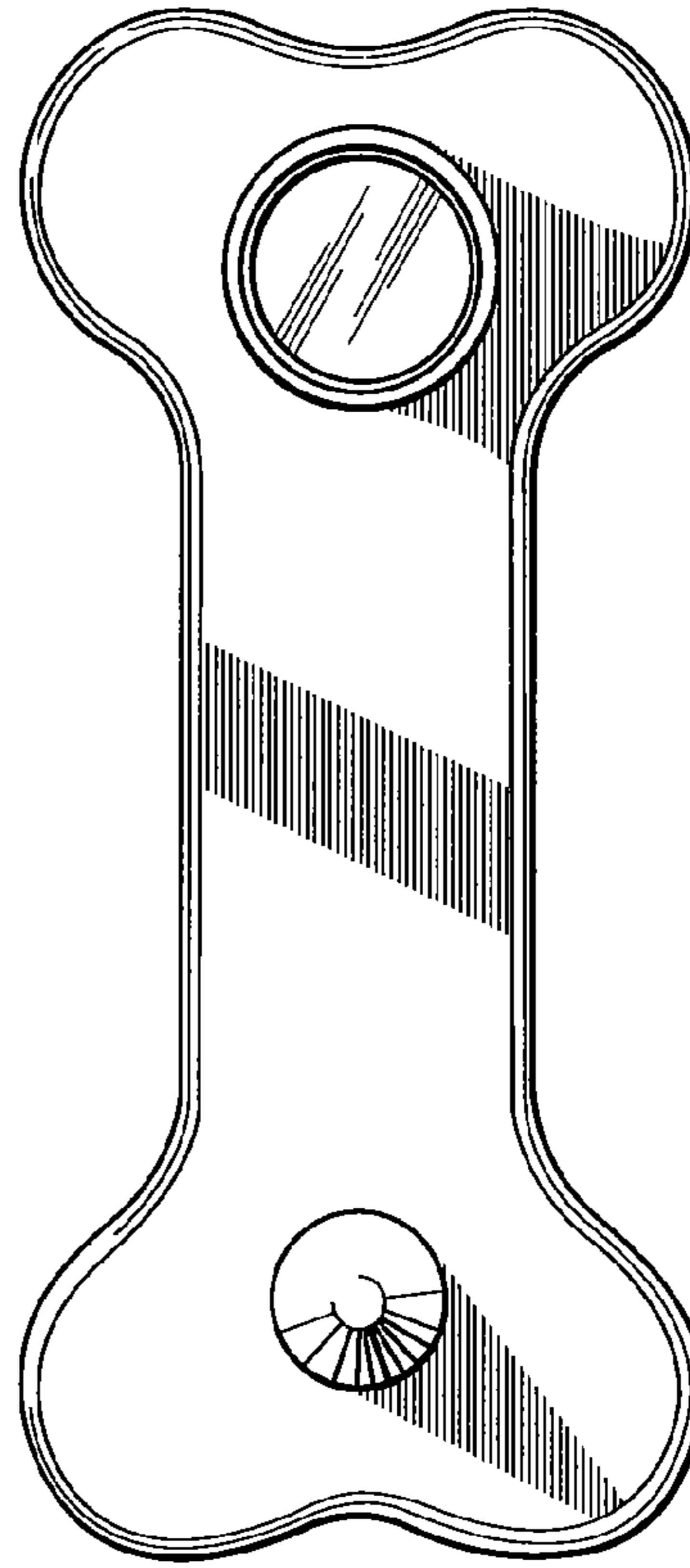


FIG. 2

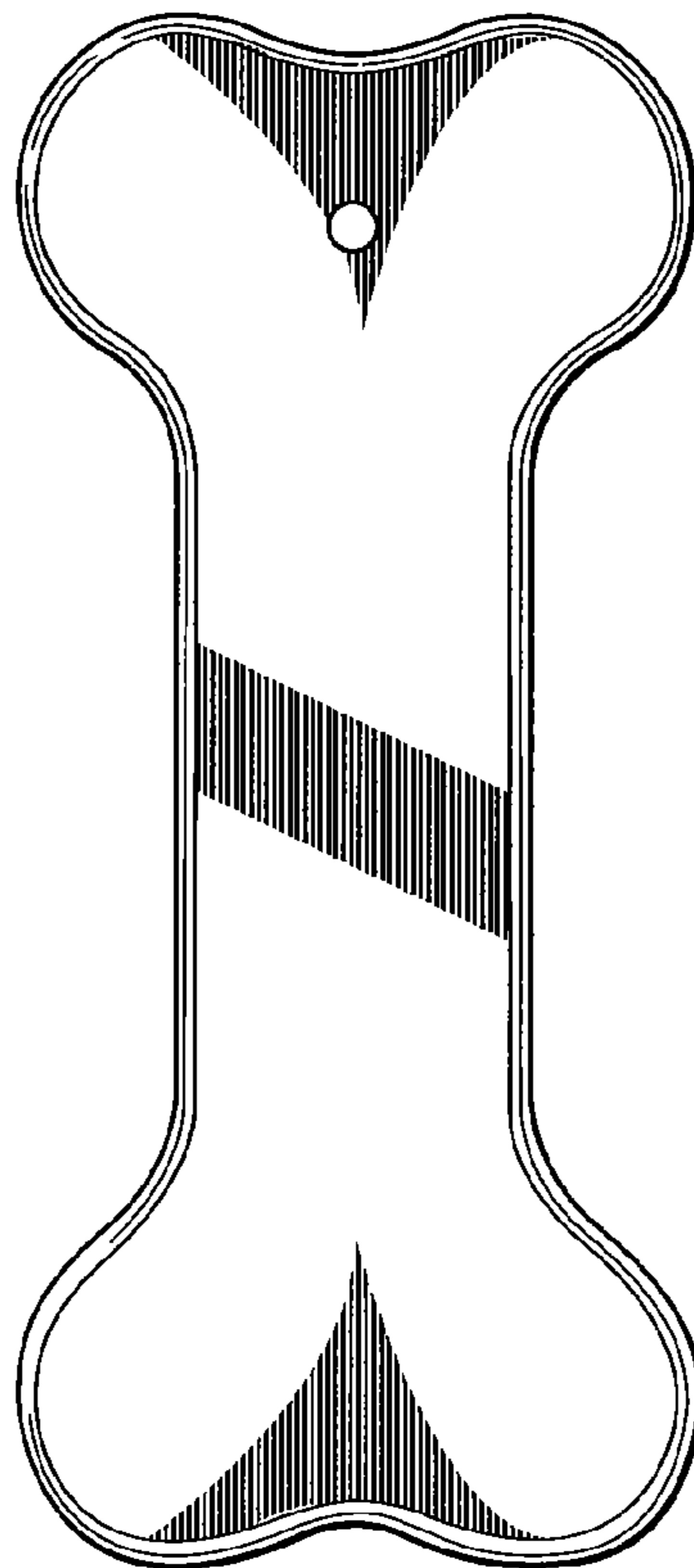


FIG. 3

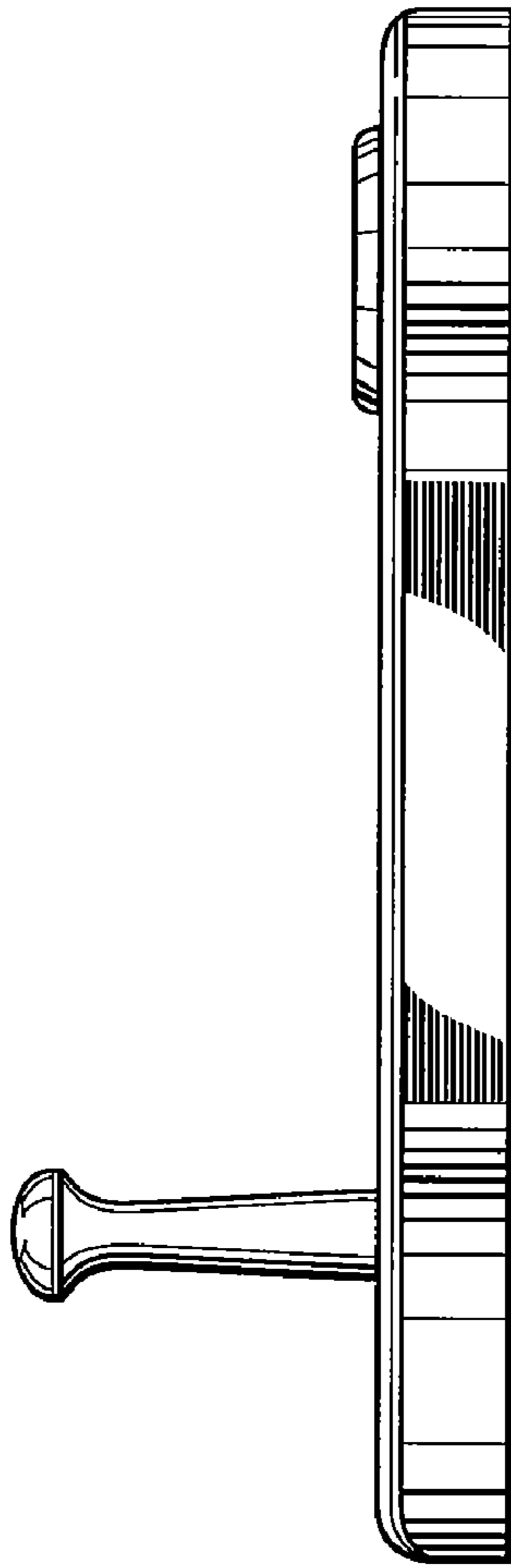


FIG. 4

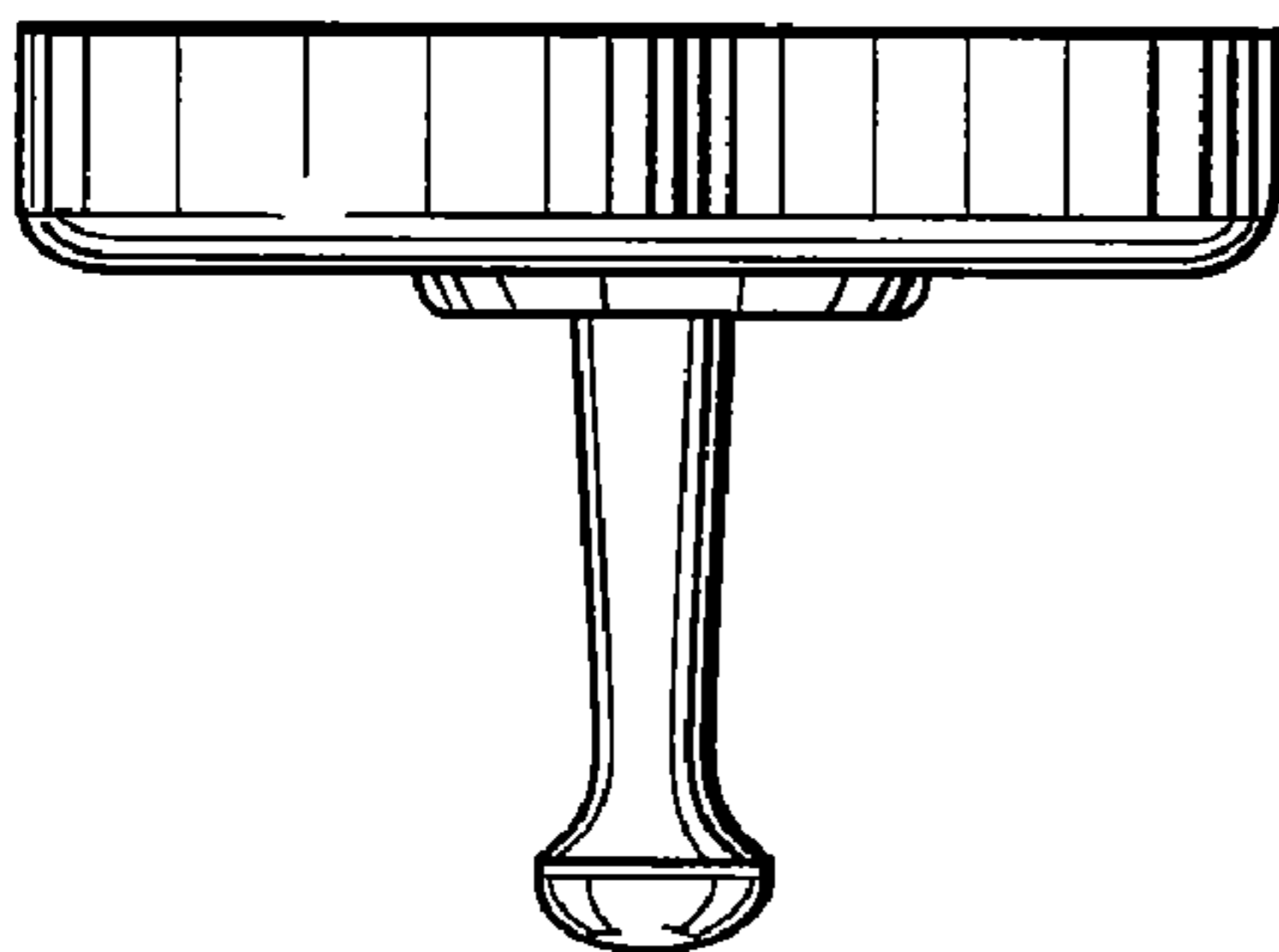


FIG. 5

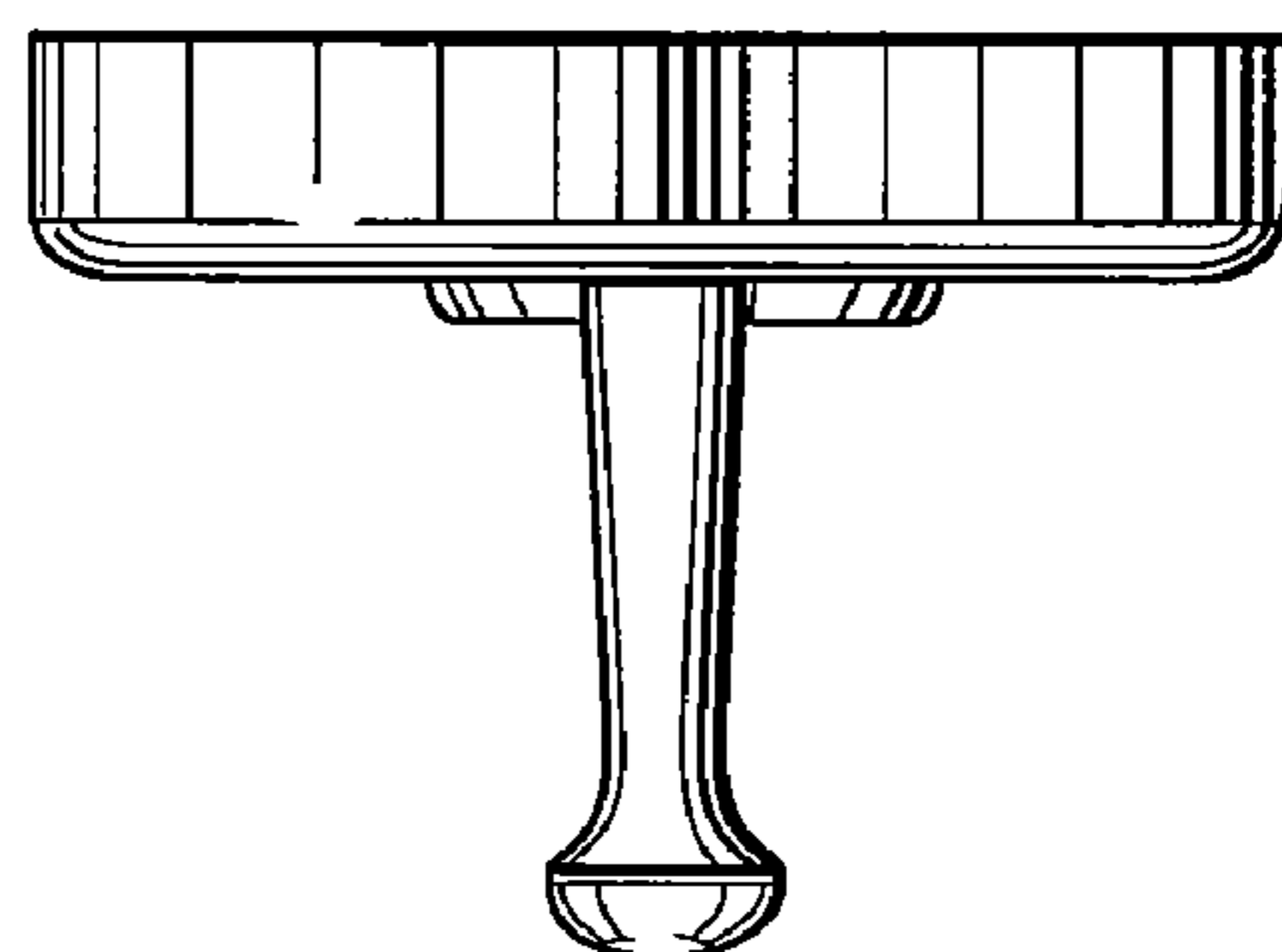


FIG. 6

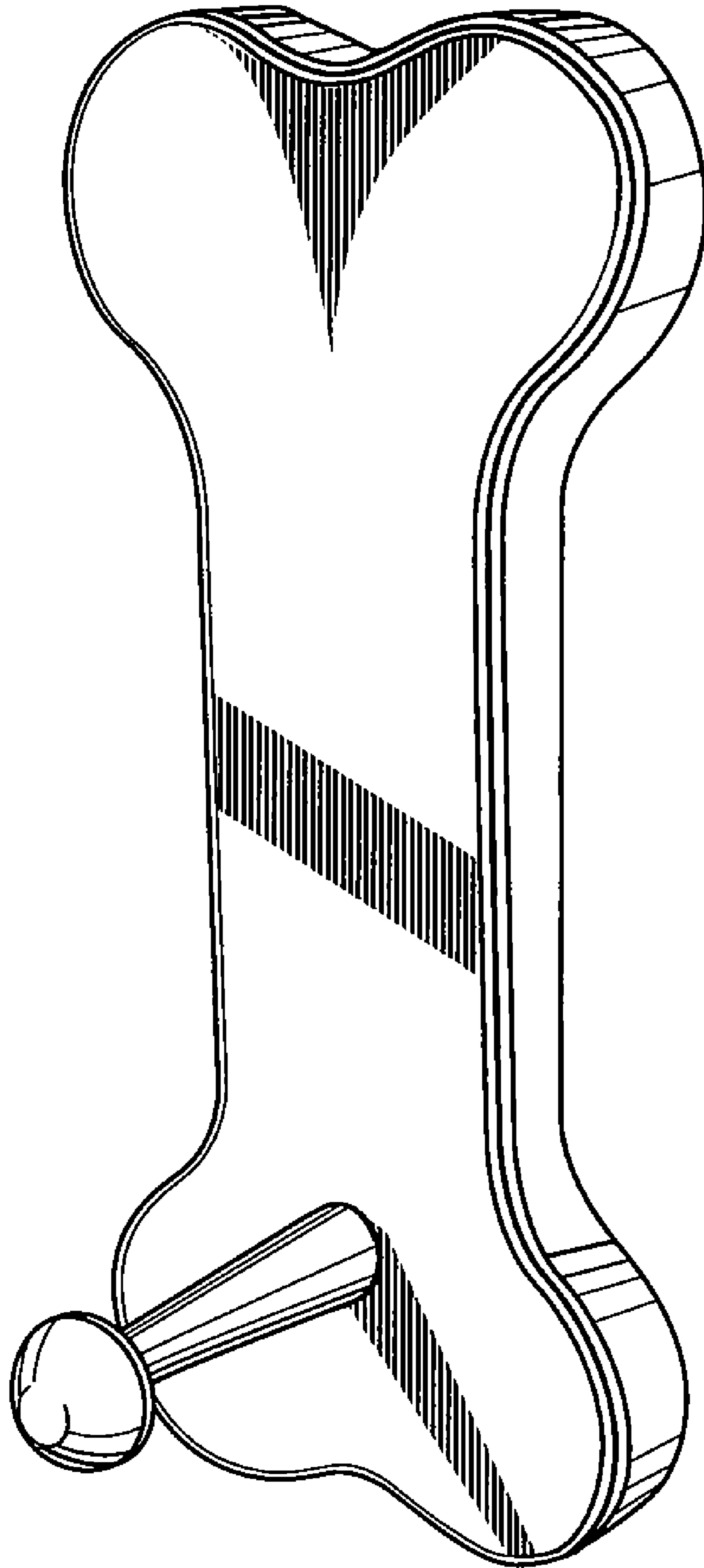


FIG. 7