



US00D560942S

(12) **United States Design Patent**
Hanna

(10) **Patent No.:** **US D560,942 S**

(45) **Date of Patent:** **** Feb. 5, 2008**

(54) **SOAP DISPENSER**

(75) Inventor: **Aaron Hanna**, Corona, CA (US)

(73) Assignee: **Newfrey LLC**, Newark, DE (US)

(**) Term: **14 Years**

(21) Appl. No.: **29/286,145**

(22) Filed: **Apr. 25, 2007**

(51) **LOC (8) Cl.** **06-04**

(52) **U.S. Cl.** **D6/542**

(58) **Field of Classification Search** D6/542-545;
221/282-283, 14, 173, 146.3, 628, 251, 181.1;
222/181.3; D9/682, 688, 690, 691, 448,
D9/449
See application file for complete search history.

D471,964 S	3/2003	Bates et al.	
D479,075 S *	9/2003	Zhao	D6/542
D505,714 S	5/2005	Dretzka	
D517,660 S	3/2006	Kemp	
D517,662 S	3/2006	Müllenmeister	
D519,372 S *	4/2006	Hsieh	D6/542
D521,353 S	5/2006	Gilbert	
D521,354 S	5/2006	Gilbert et al.	
D530,952 S *	10/2006	Lord	D6/542
D530,954 S *	10/2006	Snell	D6/542
D531,441 S *	11/2006	Soriano	D6/542
D533,629 S	12/2006	Lammel	
D537,666 S *	3/2007	Berberet	D6/542
D544,268 S *	6/2007	Greenspon	D6/542
D547,099 S *	7/2007	Williams	D6/542
D550,011 S *	9/2007	Kennard	D6/542

* cited by examiner

Primary Examiner—Brian N Vinson

(74) *Attorney, Agent, or Firm*—Richard J. Veltman

(56) **References Cited**

U.S. PATENT DOCUMENTS

D108,067 S	1/1938	Clemmons	
D219,781 S	1/1971	Neimann	
D235,098 S	5/1975	Doman	
D290,496 S	6/1987	Ryan	
D346,205 S	4/1994	Sauter et al.	
D383,831 S	9/1997	Esche et al.	
D389,229 S	1/1998	Kolada	
D397,412 S	8/1998	Slothower et al.	
D397,425 S	8/1998	Paredes et al.	
D402,005 S	12/1998	Ko	
D407,144 S	3/1999	Formgren	
D413,654 S	9/1999	Paredes et al.	
D458,345 S	6/2002	Gottwald	
D460,534 S	7/2002	Hanna et al.	
D464,119 S	10/2002	Blomstrom	
D466,588 S *	12/2002	Lord	D6/542
D469,857 S	2/2003	Lim	
D470,574 S	2/2003	Marshall	
D470,575 S	2/2003	Marshall	

(57) **CLAIM**

The ornamental design for a soap dispenser, as shown and described.

DESCRIPTION

FIG. 1 is a perspective view of a soap dispenser showing a new design;

FIG. 2 is a front view thereof;

FIG. 3 is a back view thereof;

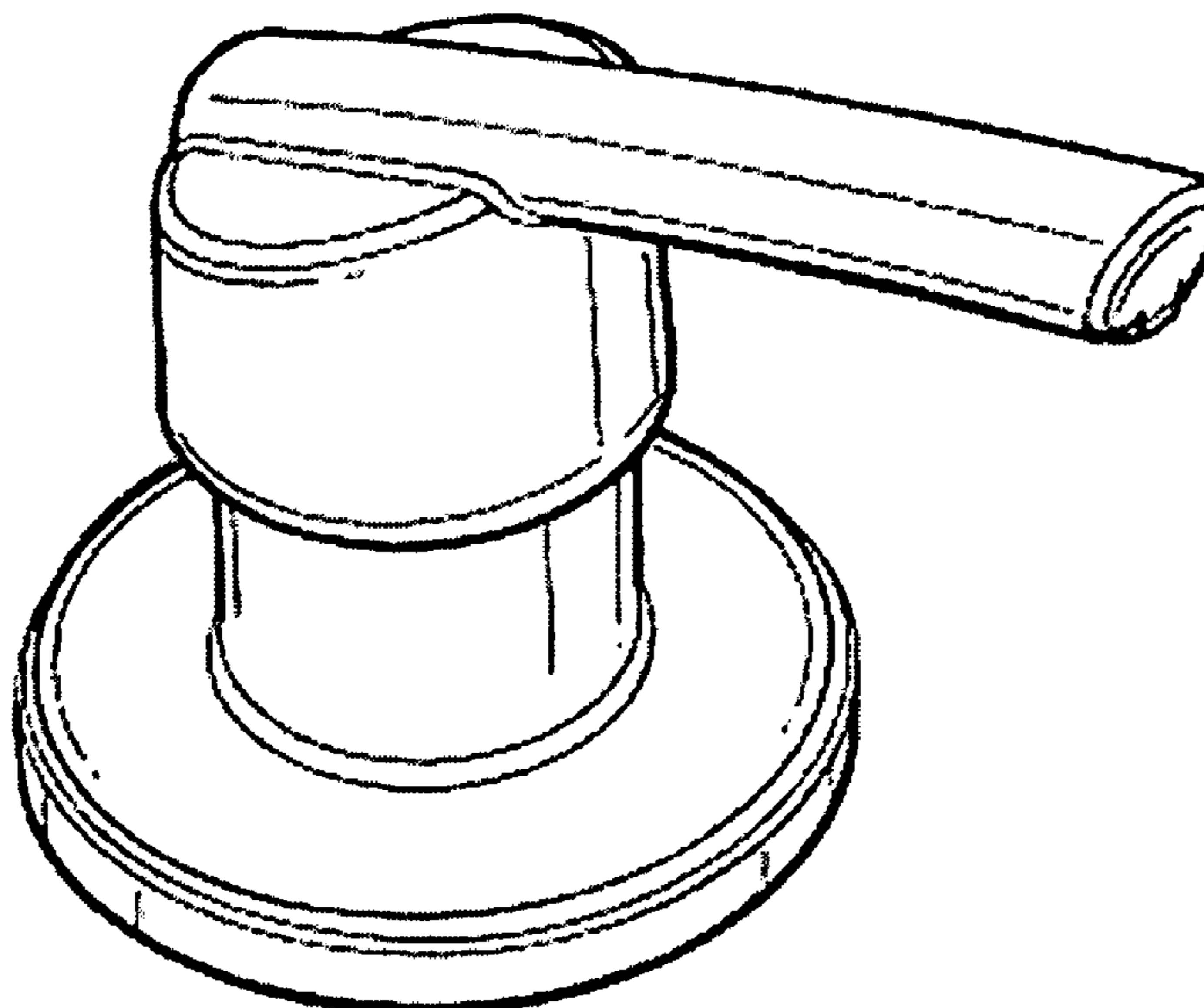
FIG. 4 is a top view thereof;

FIG. 5 is a bottom view thereof; and,

FIG. 6 is a right side view (the left side view being a mirror image) thereof.

The broken lines in the Figures are for illustrative purposes only and form no part of the claimed design.

1 Claim, 2 Drawing Sheets



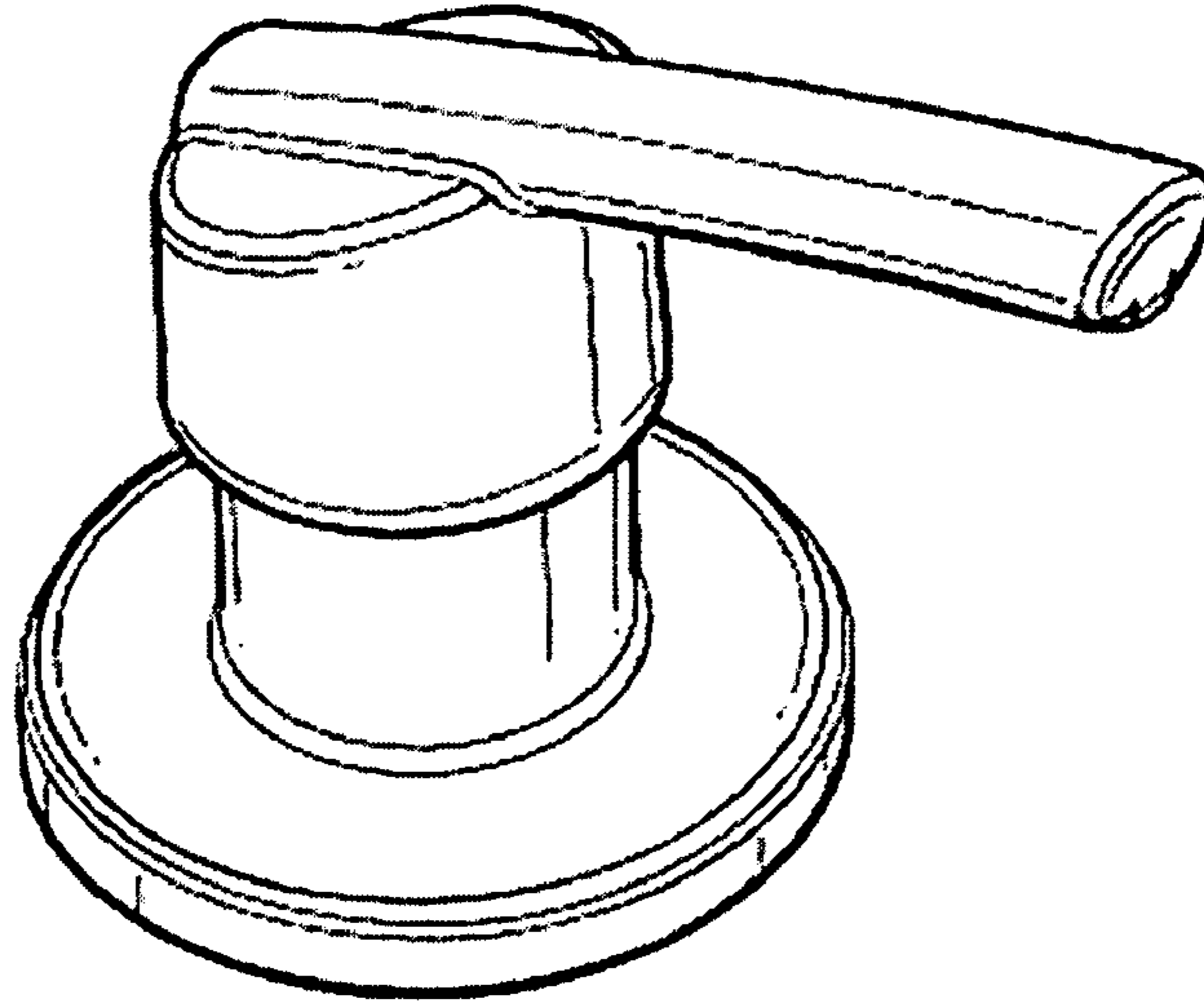


FIG. 1

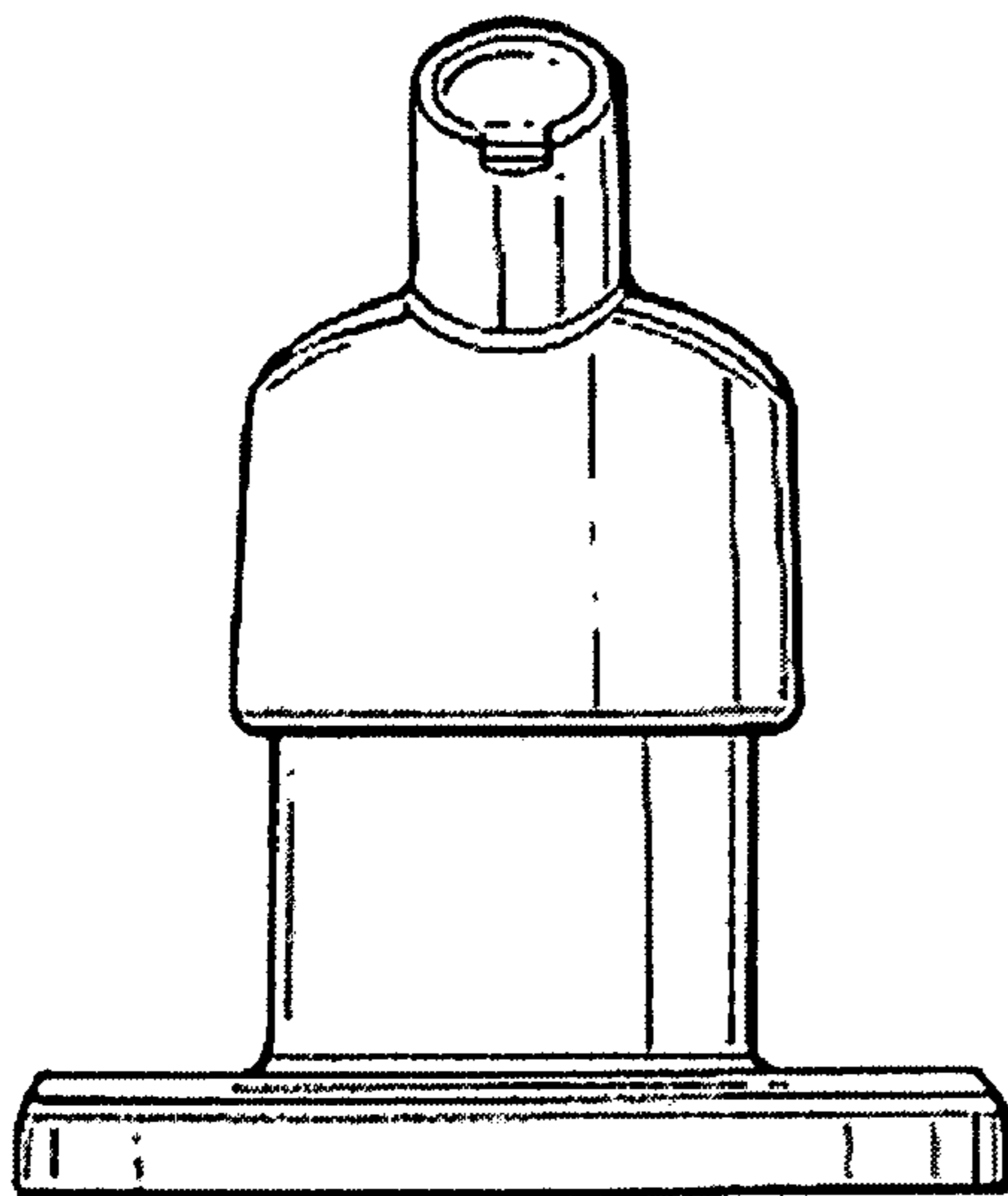


FIG. 2

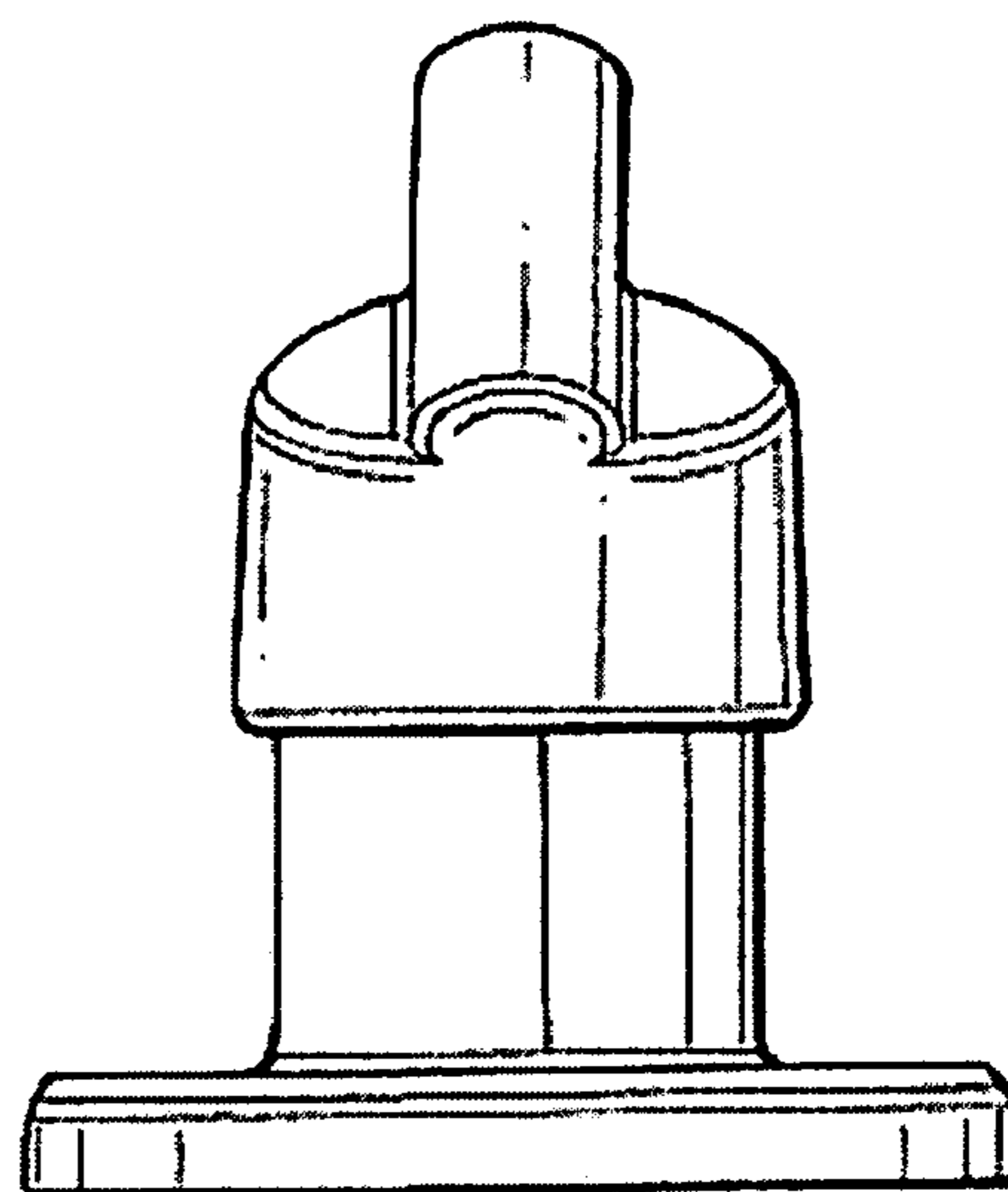


FIG. 3

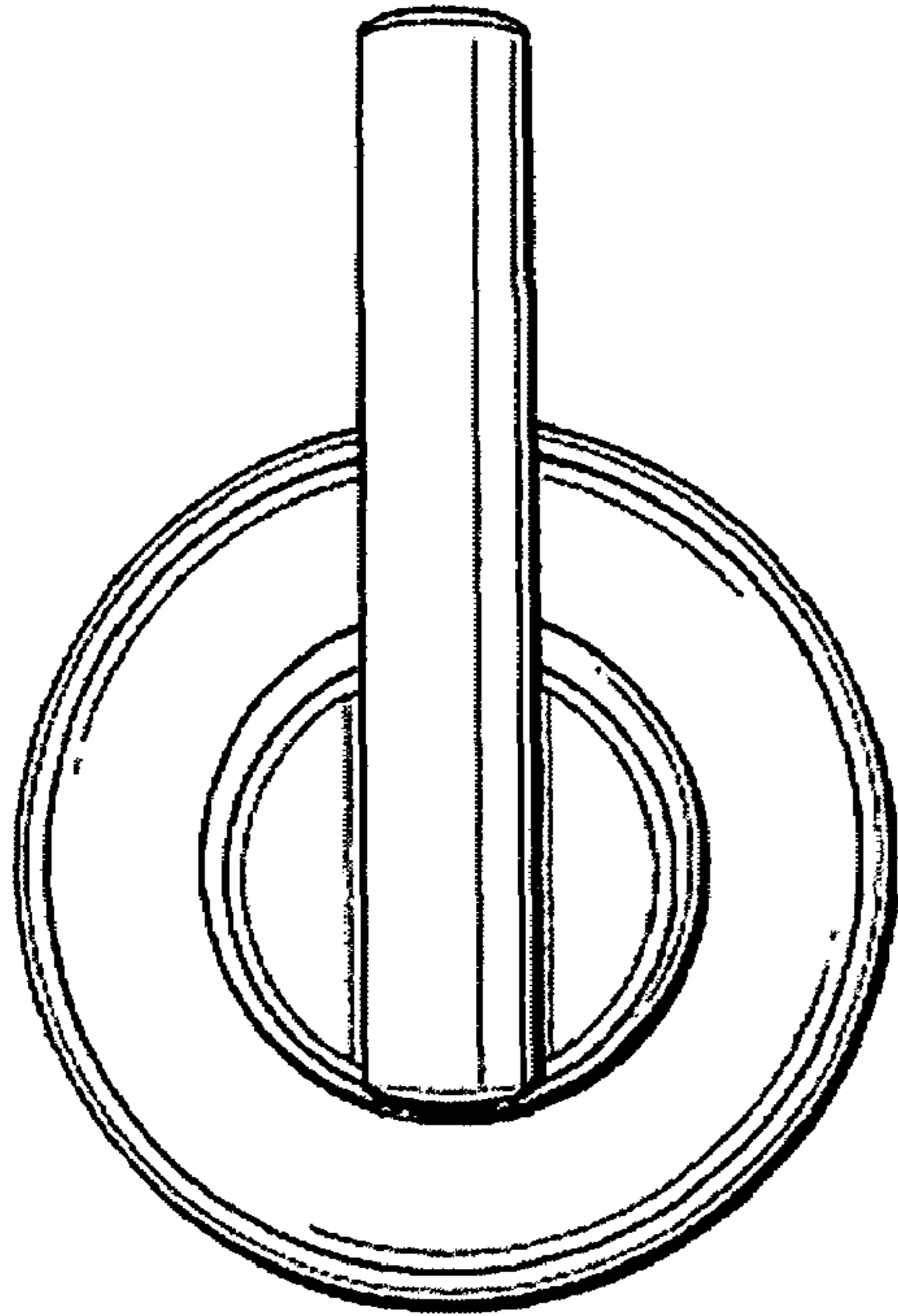


FIG. 4

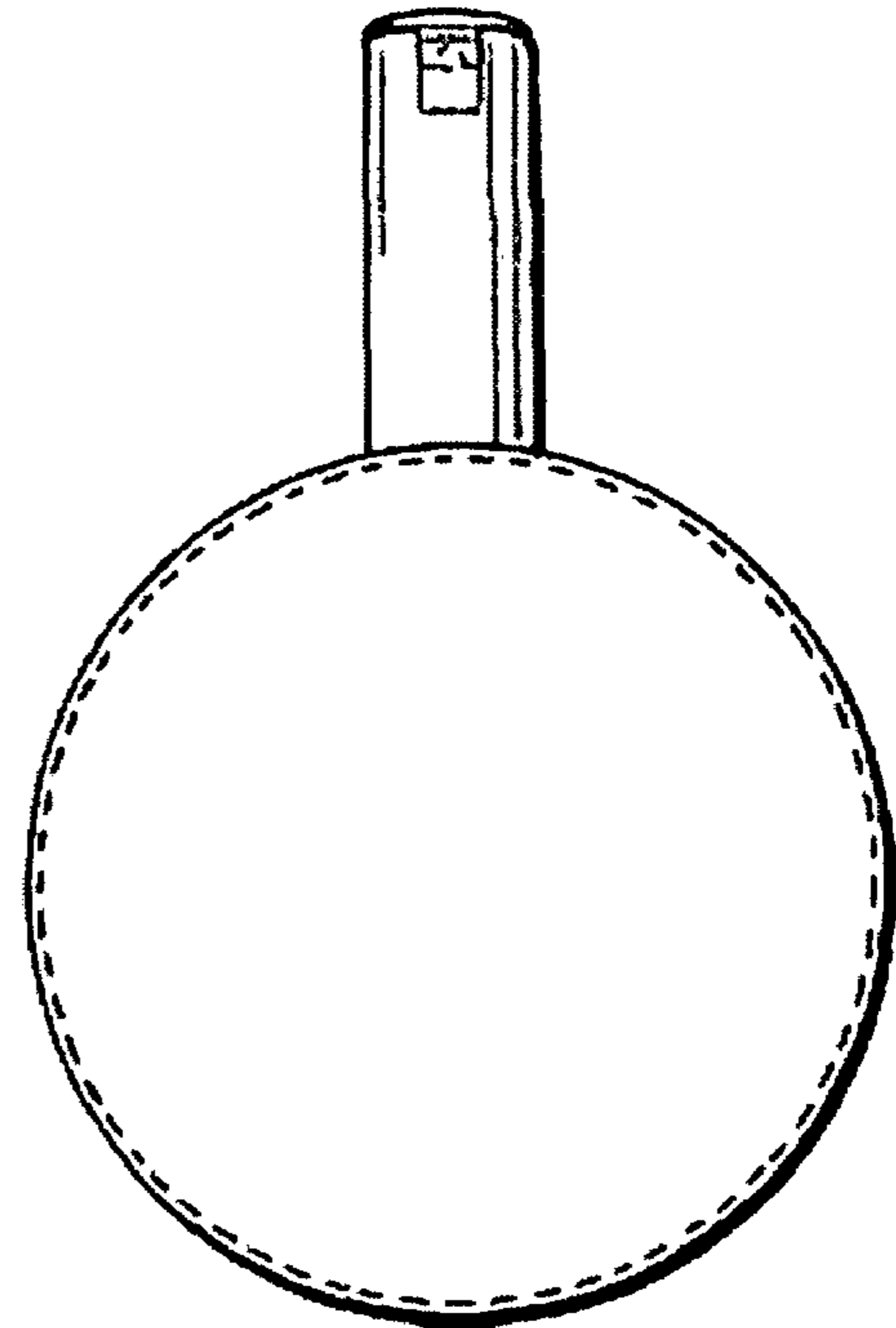


FIG. 5

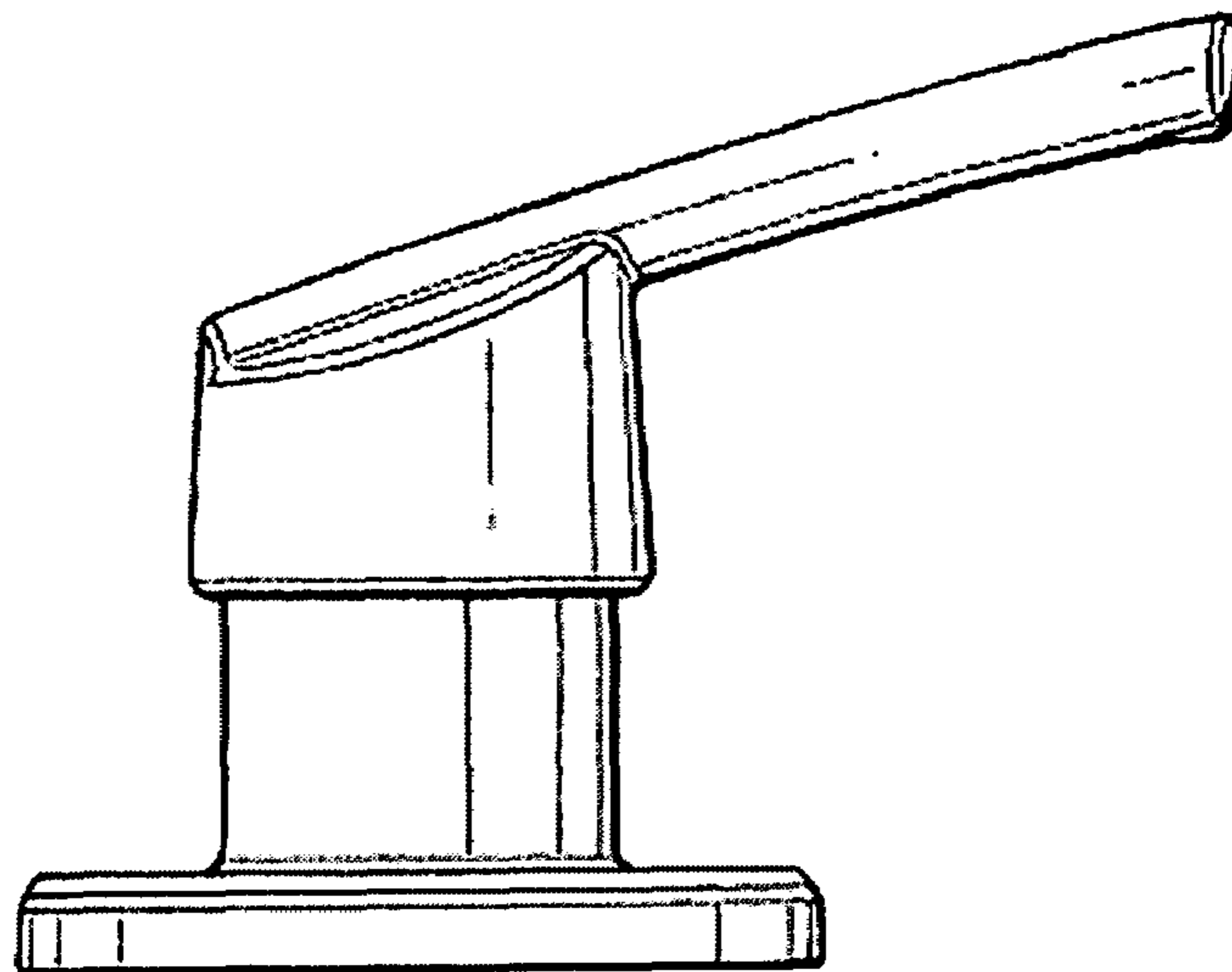


FIG. 6