



US00D560941S

(12) **United States Design Patent**
Genord et al.

(10) **Patent No.: US D560,941 S**

(45) **Date of Patent: ** Feb. 5, 2008**

(54) **SOAP DISPENSER**

(75) Inventors: **Daniel Genord**, South Lyon, MI (US);
Dominic Daunter, Howell, MI (US)

(73) Assignee: **Masco Corporation of Indiana**,
Indianapolis, IN (US)

(**) Term: **14 Years**

(21) Appl. No.: **29/250,543**

(22) Filed: **Nov. 20, 2006**

(51) **LOC (8) Cl. 06-04**

(52) **U.S. Cl. D6/542; D23/238**

(58) **Field of Classification Search** D23/238,
D23/239, 240, 249, 250, 255; D6/542-545;
221/282; 222/14, 173, 146.3, 628, 251, 181.1,
222/181.3; D9/682, 688, 690, 691, 448,
D9/449

See application file for complete search history.

(56) **References Cited**

U.S. PATENT DOCUMENTS

- D451,735 S * 12/2001 Hanna D6/542
- D466,588 S * 12/2002 Lord D23/238
- D466,976 S * 12/2002 Lord D23/238
- D466,978 S * 12/2002 Lord D23/238
- D467,305 S * 12/2002 Lord D23/238
- D477,778 S * 7/2003 Dretzka D9/692
- D477,991 S * 8/2003 Dretzka D9/691
- D479,779 S * 9/2003 Zhao D6/542
- D486,336 S * 2/2004 Snell D6/542
- D519,372 S * 4/2006 Hsieh D9/448

- D520,117 S * 5/2006 Fritz D23/241
- D521,122 S * 5/2006 Fritz D23/255
- D522,625 S * 6/2006 Fritz D23/252
- D526,052 S * 8/2006 Lord D23/252
- D530,952 S * 10/2006 Lord D6/542
- D531,441 S * 11/2006 Soriano D6/542
- D536,561 S * 2/2007 Berberet D6/542
- D537,360 S * 2/2007 Snell D9/690
- D538,177 S * 3/2007 Dretzka D9/690
- D547,099 S * 7/2007 Williams D6/542
- D550,011 S * 9/2007 Kennard D6/542
- 2007/0187427 A1 * 8/2007 Shaw et al. 222/52

* cited by examiner

Primary Examiner—Robert M. Spear

Assistant Examiner—Anna K Dworzecka

(74) *Attorney, Agent, or Firm*—Leon E. Redman; Lloyd D. Doigan

(57) **CLAIM**

The ornamental design for a soap dispenser, as shown and described.

DESCRIPTION

FIG. 1 is a front perspective view of a soap dispenser showing our new design;

FIG. 2 is a right side elevational view thereof;

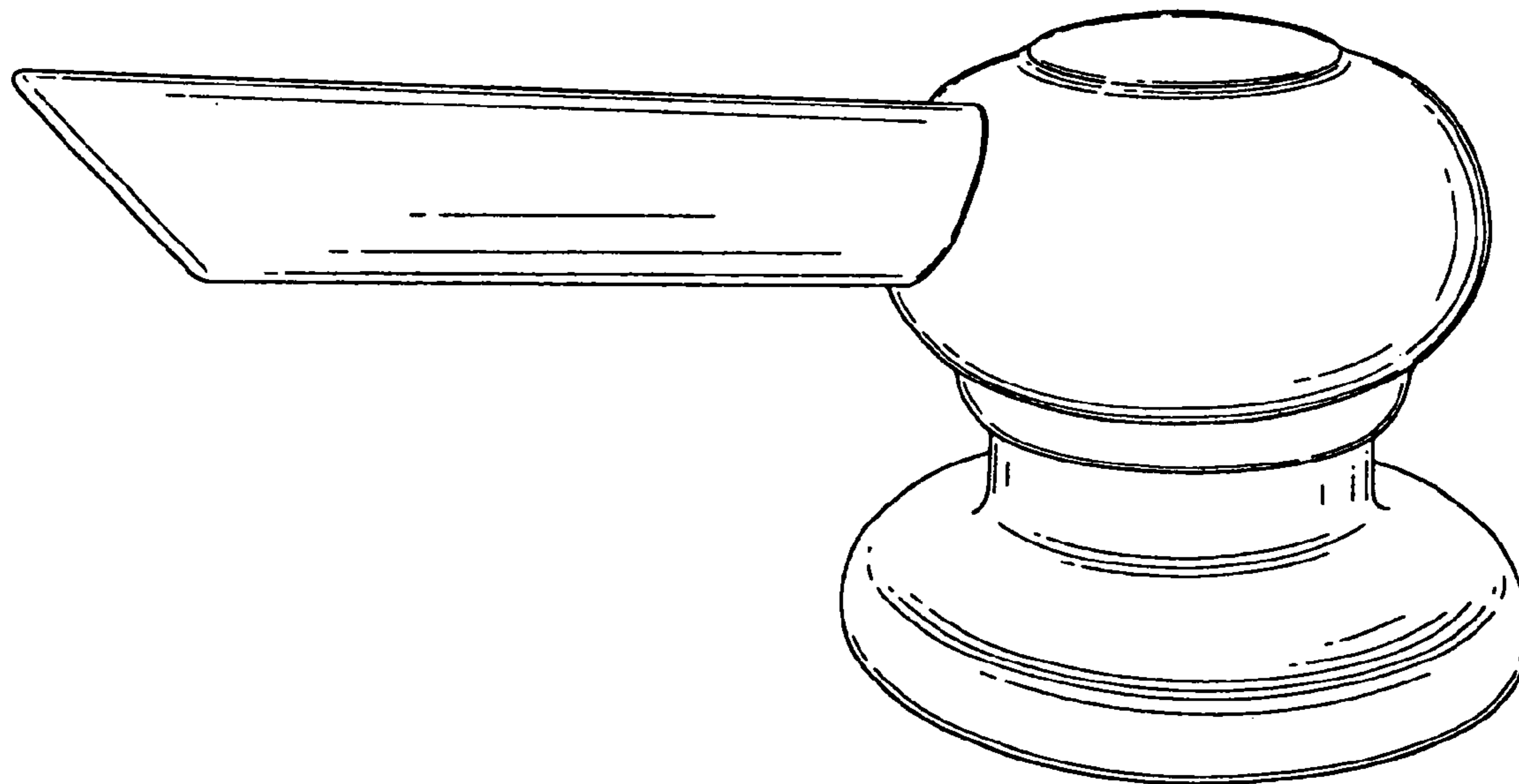
FIG. 3 is a left side elevational view thereof;

FIG. 4 is a top plan view thereof;

FIG. 5 is a front elevational view thereof; and,

FIG. 6 is a rear elevational view thereof.

1 Claim, 6 Drawing Sheets



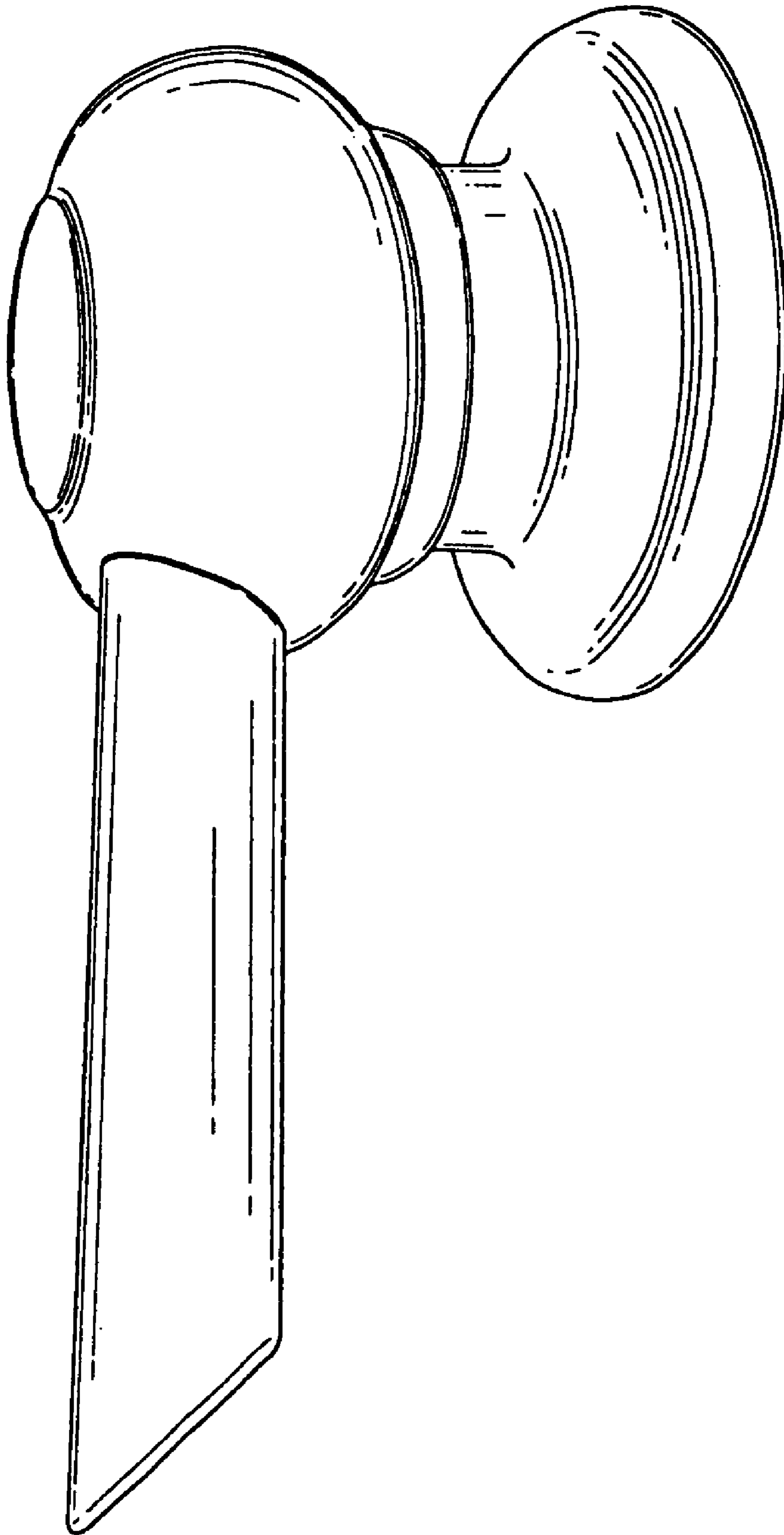


FIG. 1

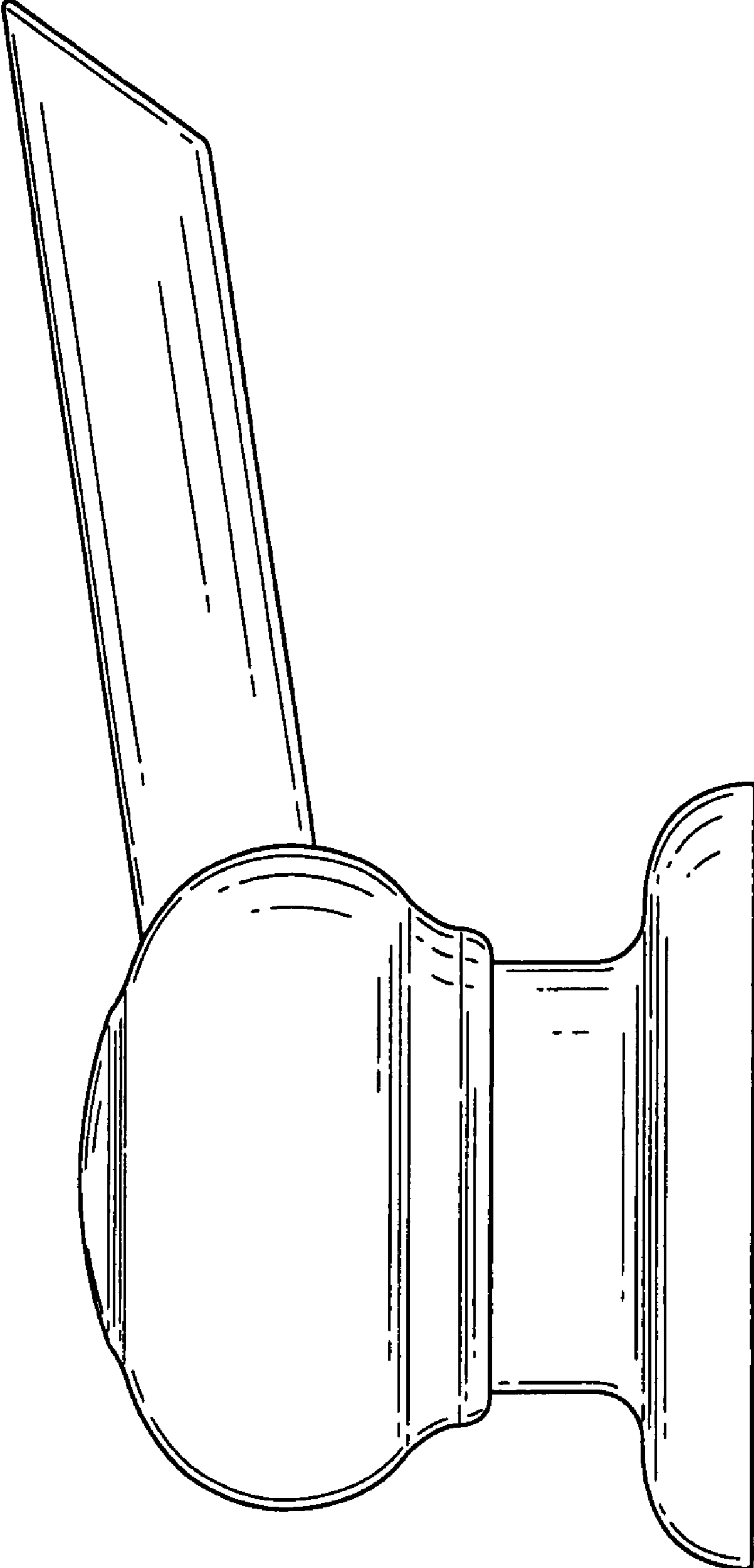


FIG. 2

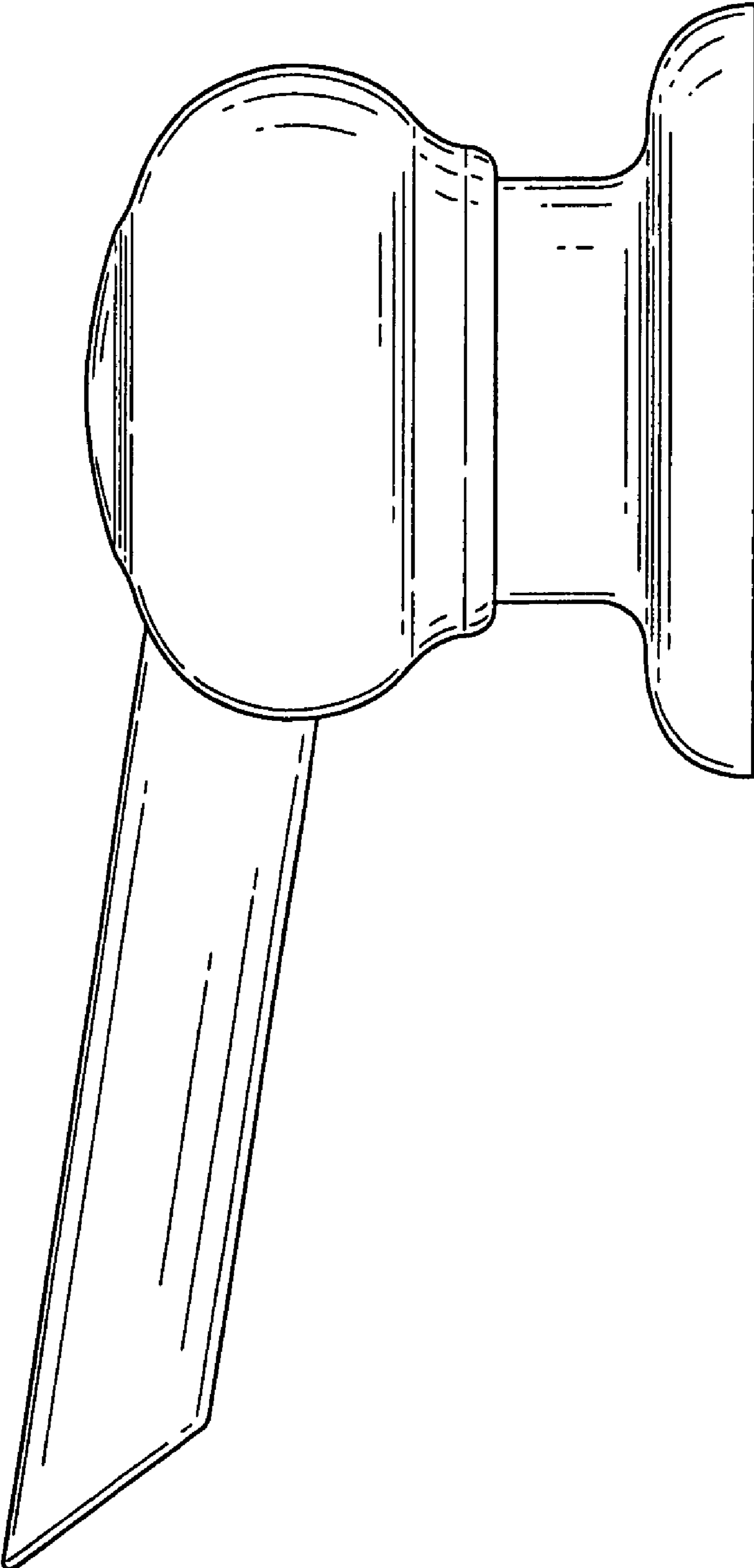


FIG. 3

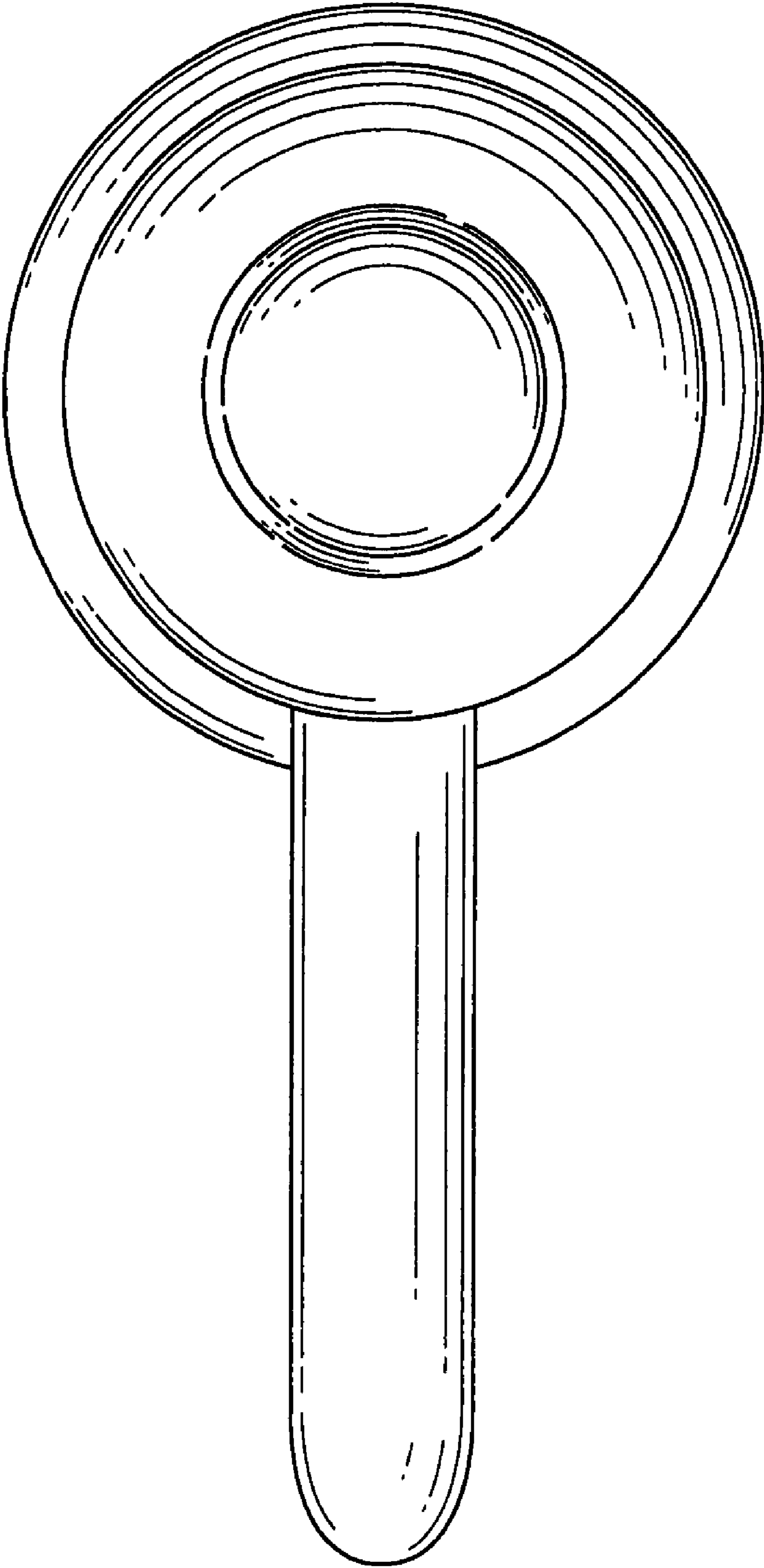


FIG. 4

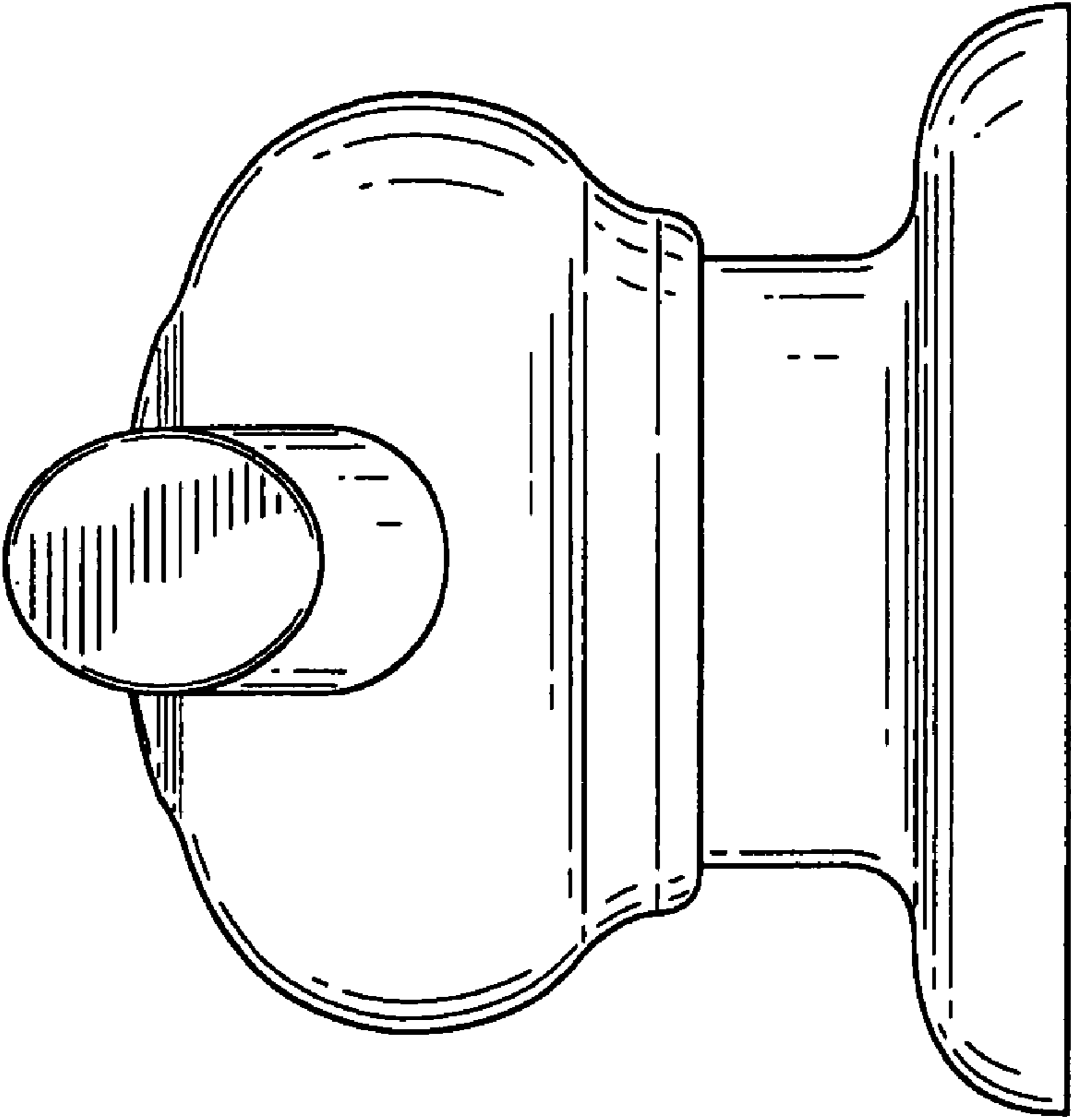


FIG. 5

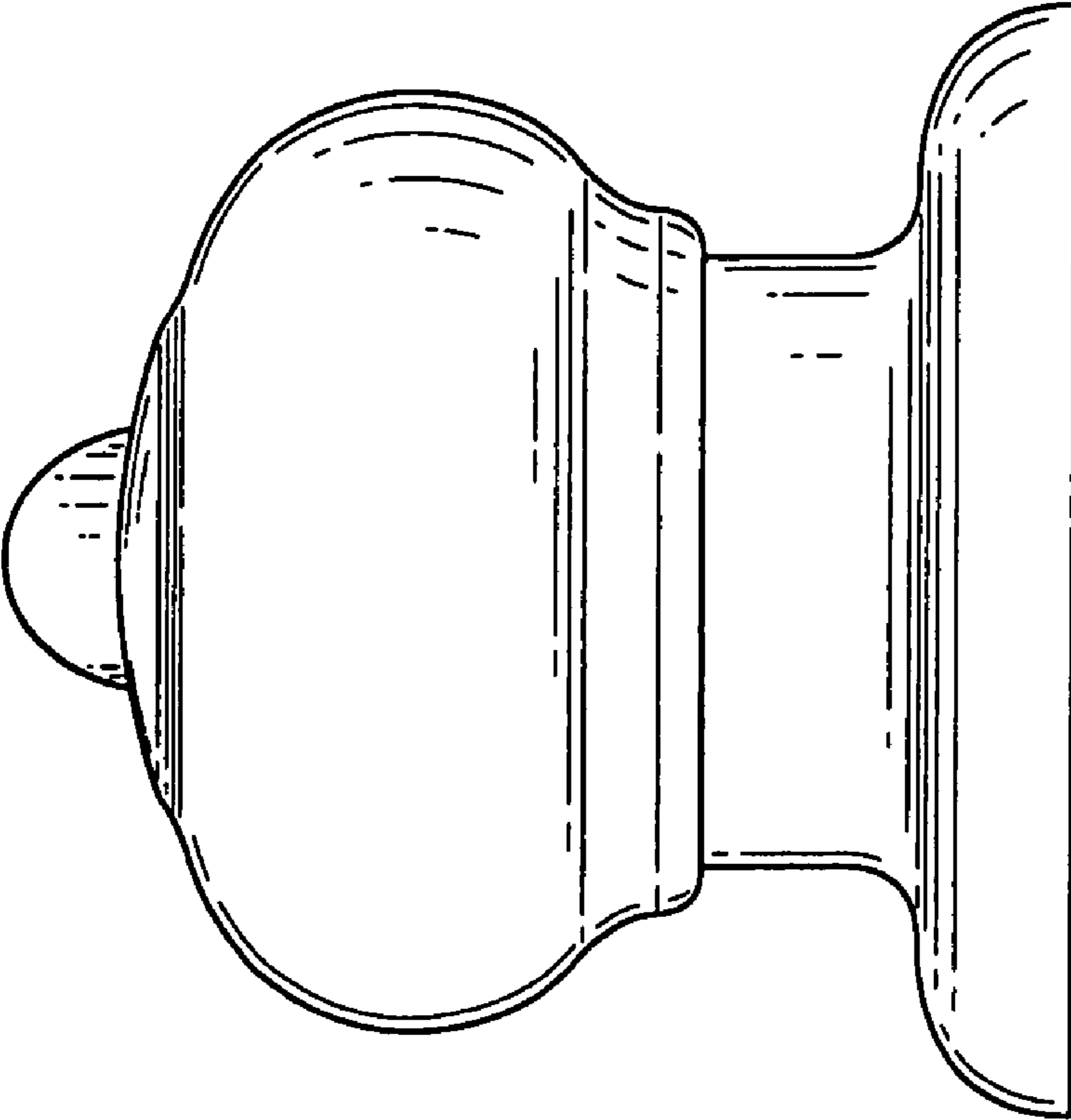


FIG. 6