



US00D560929S

(12) **United States Design Patent**
Woodward et al.

(10) **Patent No.:** **US D560,929 S**

(45) **Date of Patent:** **** Feb. 5, 2008**

(54) **AUDIO VIDEO FURNITURE**

(75) Inventors: **Mark P Woodward**, Lakewood, CO (US); **Michael J Abdella**, Lakewood, CO (US); **Landon S Robinson**, Arvada, CO (US)

(73) Assignee: **Subliminal Entertainment, Inc.**, Lakewood, CO (US)

(**) Term: **14 Years**

(21) Appl. No.: **29/275,742**

(22) Filed: **Jan. 5, 2007**

(51) **LOC (8) Cl.** **06-04**

(52) **U.S. Cl.** **D6/446**; D6/436; D6/478; D6/495; D6/509

(58) **Field of Classification Search** D6/436, D6/444, 477-479, 470, 432, 441, 445-448; 312/114, 204, 224, 278-279

See application file for complete search history.

(56) **References Cited**

U.S. PATENT DOCUMENTS

- D336,392 S * 6/1993 Whalen D6/446
- D385,431 S * 10/1997 Lee D6/436
- D477,474 S * 7/2003 Milligan D6/446

* cited by examiner

Primary Examiner—Cathron C. Brooks
Assistant Examiner—Kelley A. Donnelly

(74) *Attorney, Agent, or Firm*—Leyendecker & Lamire, LLC; Kurt Leyendecker

(57) **CLAIM**

An ornamental design for a piece of audio video furniture, as shown and described.

DESCRIPTION

FIG. 1 is an isometric front view of the piece of furniture according to the present invention.

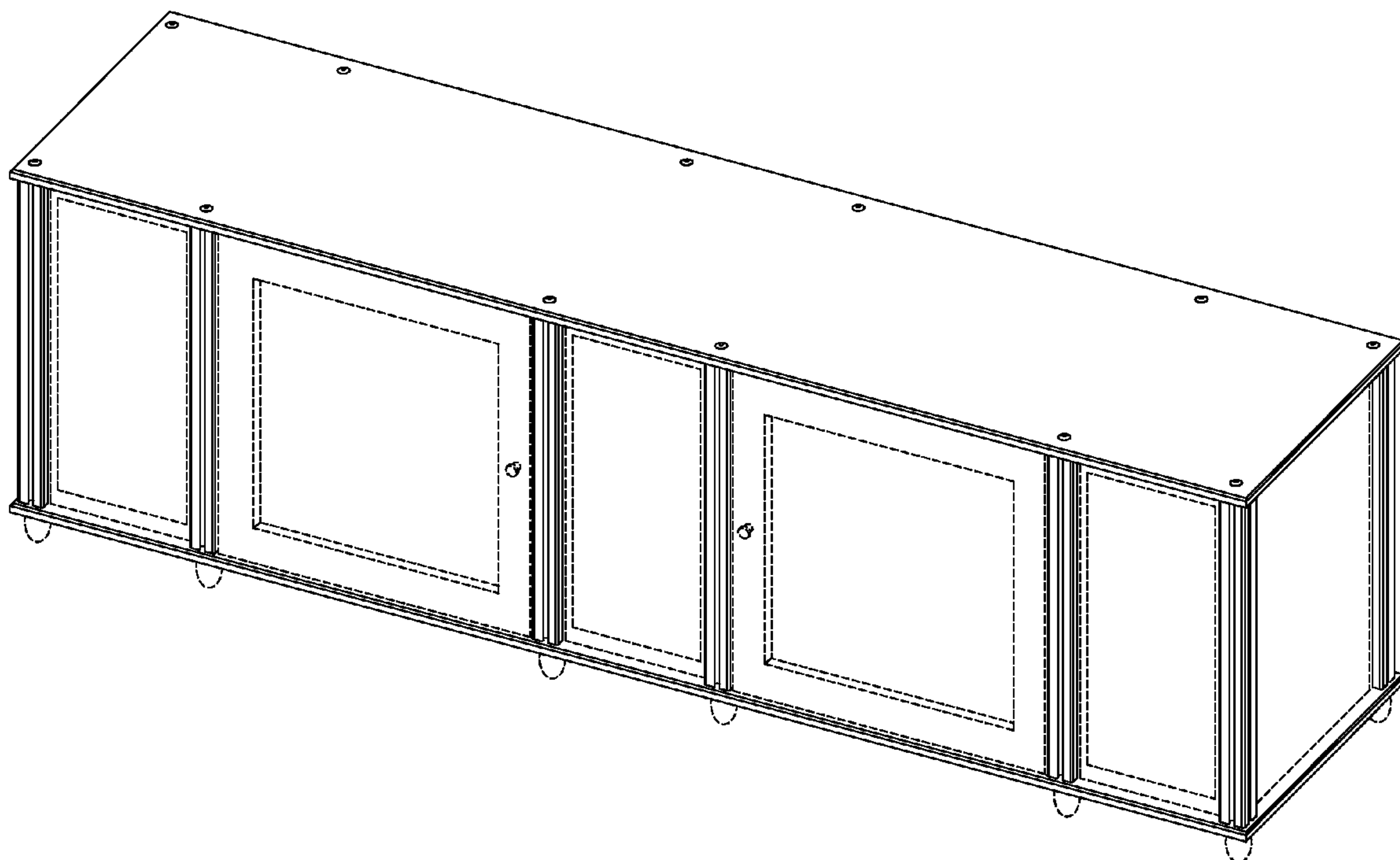
FIG. 2 is another isometric front view of the piece of furniture according to the embodiment of the present invention showing a particular grill design in broken line to provide further context to the embodiment.

FIG. 3 is an isometric view of the pillar member utilized in various locations in the piece of furniture and shown separately for completeness of illustration; and,

FIG. 4 is a top view of the pillar member shown separately for completeness of illustration.

The broken lines shown in the drawings illustrate portions of the furniture that form no part of the claimed design.

1 Claim, 3 Drawing Sheets



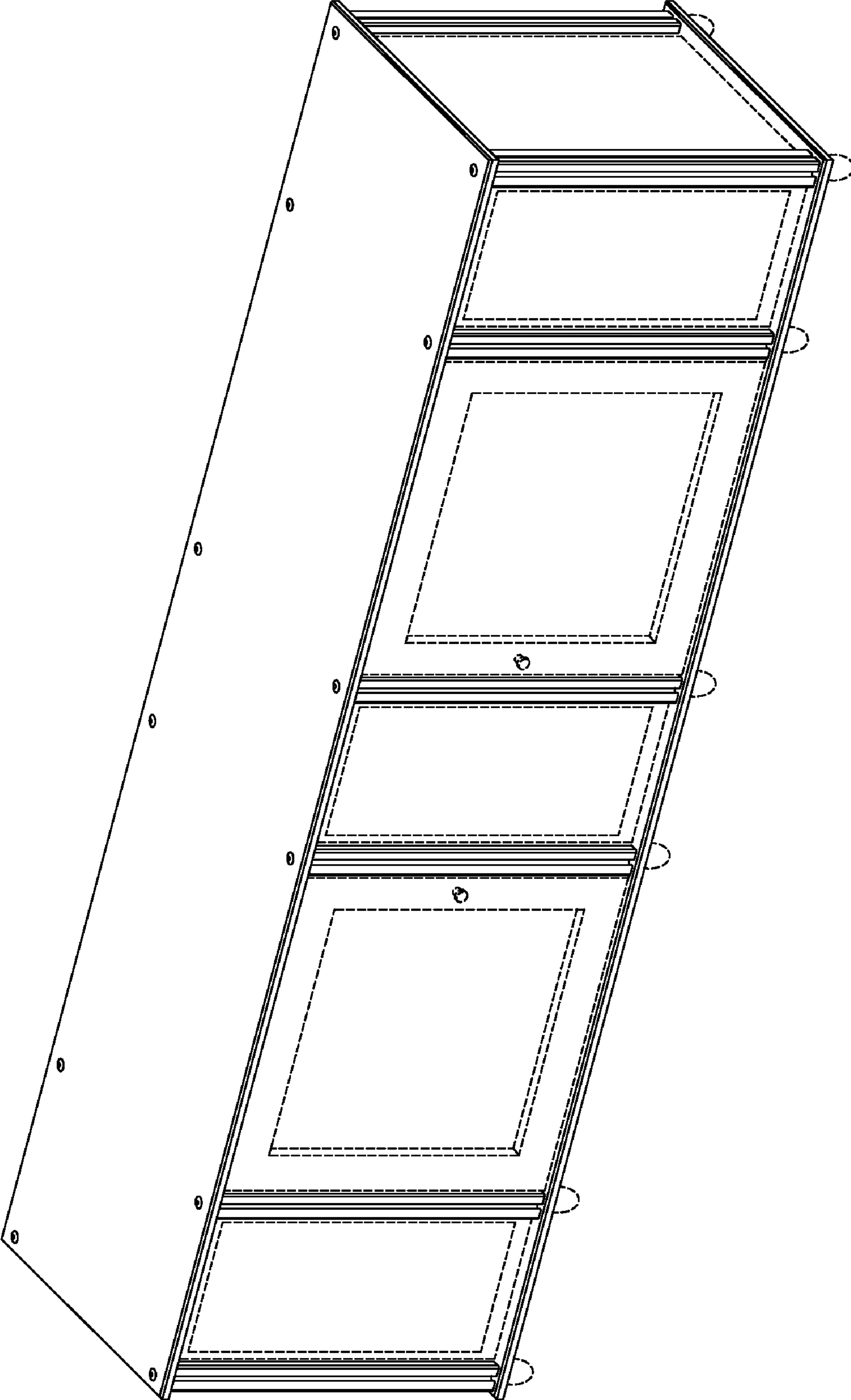


Fig. 1

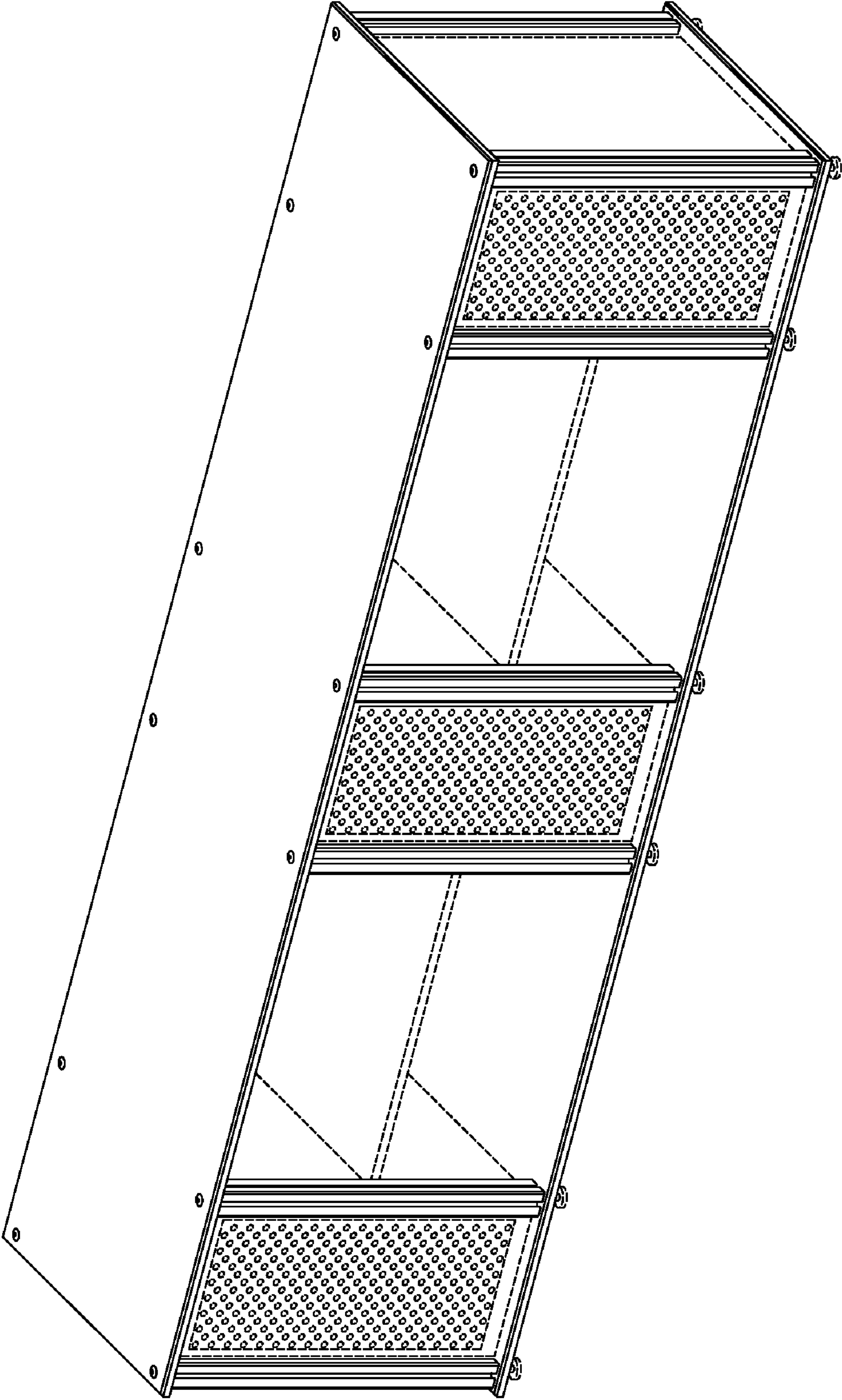


Fig. 2

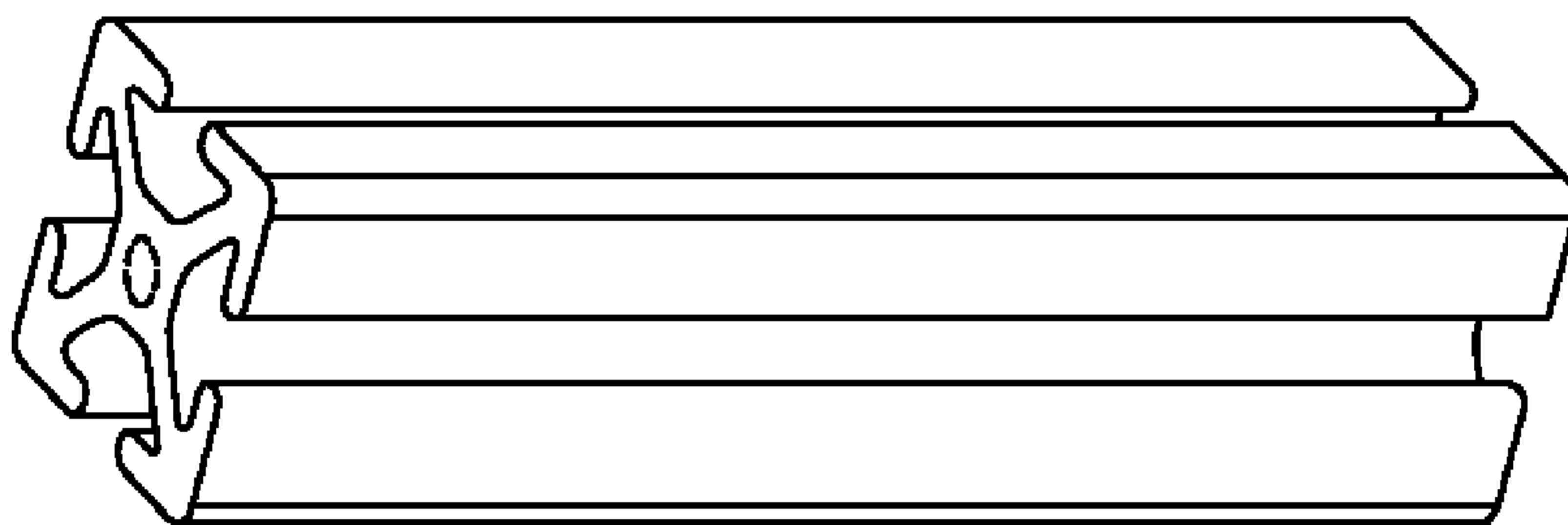


Fig. 3

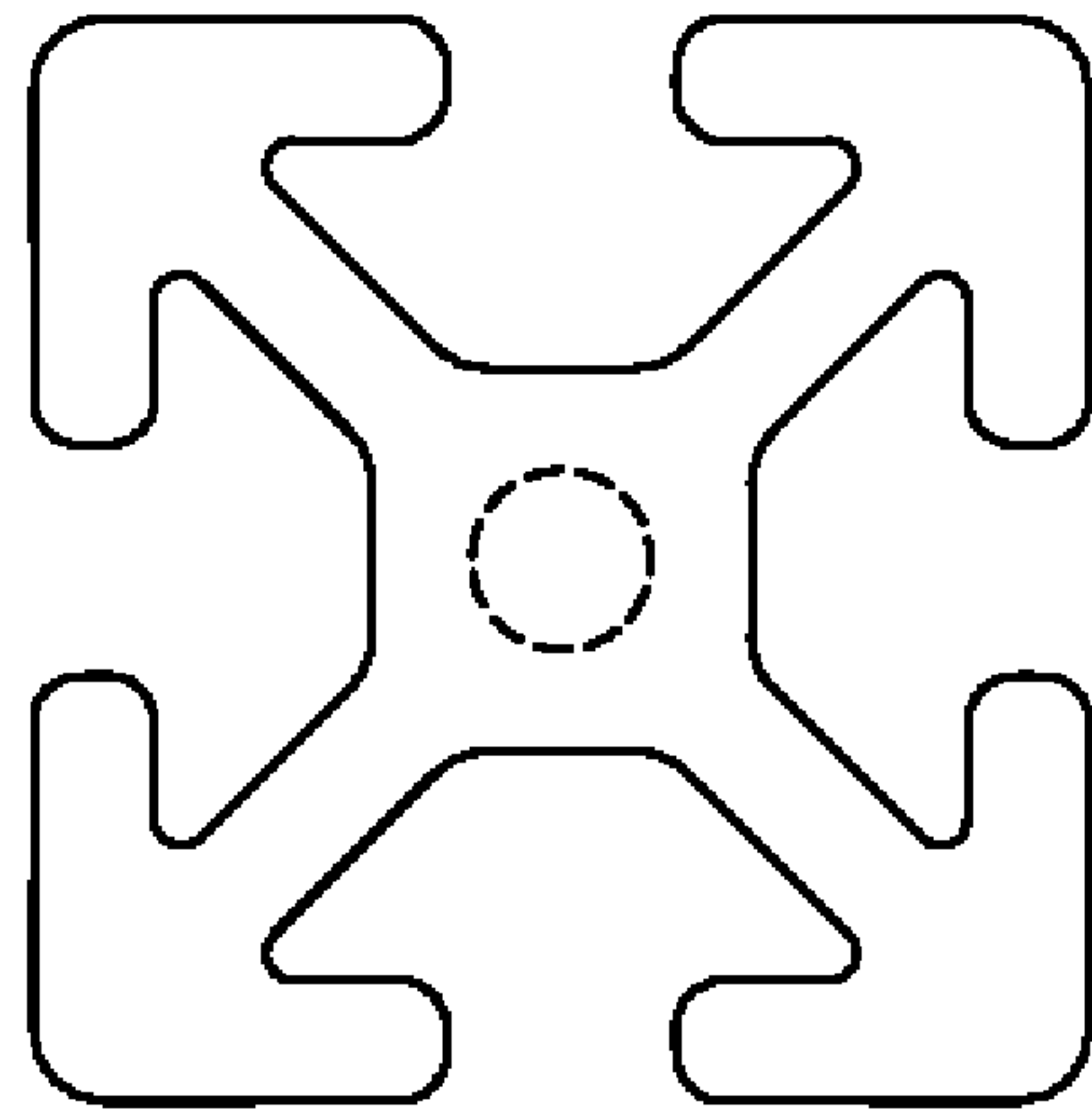


Fig. 4