

US00D560924S

(12) **United States Design Patent**  
**Walker**

(10) **Patent No.:** **US D560,924 S**  
(45) **Date of Patent:** **\*\* Feb. 5, 2008**

(54) **COMBINATION SHOWER CURTAIN HOOK AND PICTURE FRAME**

(75) Inventor: **David Lamont Walker**, Chester, PA (US)

(73) Assignee: **Zenith Products Corp.**, New Castle, DE (US)

(\*\*) Term: **14 Years**

(21) Appl. No.: **29/247,257**

(22) Filed: **Jun. 8, 2006**

(51) **LOC (8) Cl.** ..... **06-04**

(52) **U.S. Cl.** ..... **D6/396; D6/300; D8/367**

(58) **Field of Classification Search** ..... D6/300-314, D6/315, 323, 328, 580, 370, 397; D8/367, D8/349; 211/13.1, 85.3, 86.01, 183; 160/39, 160/330; 248/339, 301, 304, 214-215; D3/210; 16/87.2; 40/700, 725, 717  
See application file for complete search history.

(56) **References Cited**

**U.S. PATENT DOCUMENTS**

267,938 A	11/1882	Rings	
396,604 A	1/1889	Rings	
397,419 A	2/1889	Day	
400,348 A	3/1889	Lawrence	
460,793 A	10/1891	Rings	
578,424 A	3/1897	Rings	
659,534 A	10/1900	Kroder	
686,124 A	11/1901	Parker	
699,507 A	5/1902	Erich	
805,919 A	11/1905	Kroder	
913,261 A	2/1909	Clark	
1,020,776 A	3/1912	Parry	
1,224,624 A	5/1917	Fjellman	
1,857,293 A	5/1932	Vroom	
2,320,003 A	5/1943	Madan	
3,223,373 A *	12/1965	Molinaro	248/339
3,315,297 A	4/1967	Bender	
4,887,785 A *	12/1989	Blaich	248/339
4,979,712 A	12/1990	Rios	

D350,279 S	9/1994	Tate	
5,575,446 A *	11/1996	Swenson et al.	248/304
D398,516 S *	9/1998	Brown et al.	D8/370
D400,425 S *	11/1998	Goodman et al.	D8/367
D428,802 S *	8/2000	Villano et al.	D8/367
D439,144 S	3/2001	Ho	
D441,584 S	5/2001	Ho	
D456,696 S	5/2002	Samelson	
D459,201 S	6/2002	Michaelson	
D469,682 S *	2/2003	Gary et al.	D8/367
6,530,120 B2	3/2003	Samelson	
D485,431 S *	1/2004	Hsu	D3/210
D489,249 S *	5/2004	Moore	D8/367
D495,242 S *	8/2004	Kucera et al.	D8/367
D496,849 S *	10/2004	Abdi et al.	D8/367
D505,315 S *	5/2005	Snell	D8/367
D505,614 S *	5/2005	Barrese	D8/367
D515,912 S *	2/2006	Snell	D8/367
D535,110 S *	1/2007	Hoernig	D6/323

\* cited by examiner

*Primary Examiner*—Caron D. Veynar  
*Assistant Examiner*—Sydney R Buffalow  
(74) *Attorney, Agent, or Firm*—Akin Gump Strauss Hauer & Feld LLP

(57) **CLAIM**

The ornamental design for a combination shower curtain hook and picture frame, as shown and described.

**DESCRIPTION**

FIG. 1 is a front perspective view of a combination shower curtain hook and picture frame in accordance with my new design;

FIG. 2 is a front elevational view thereof;

FIG. 3 is a rear elevational view thereof;

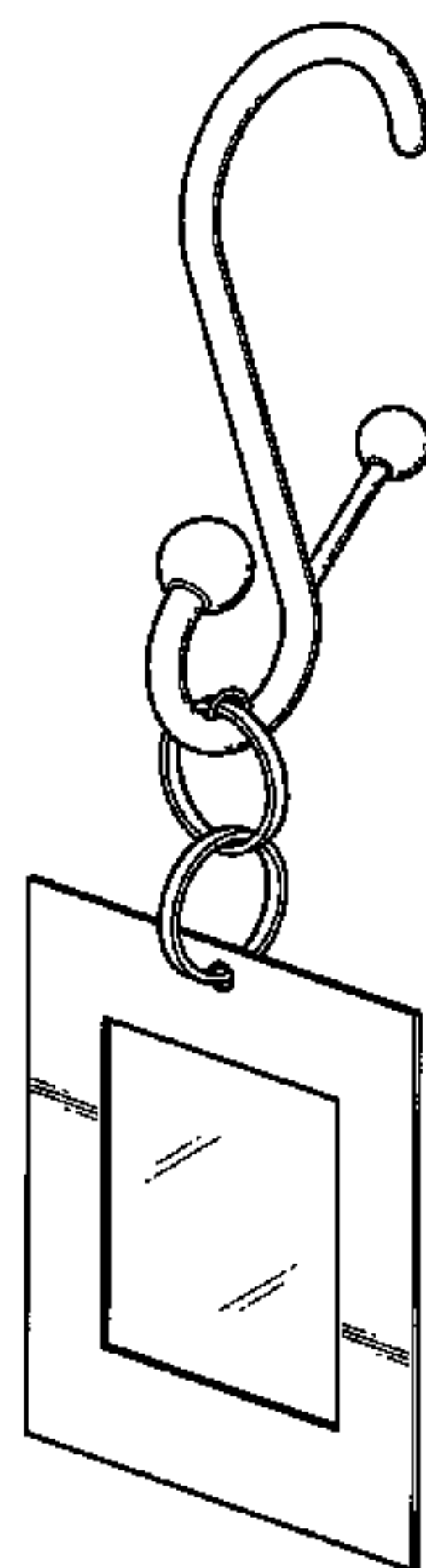
FIG. 4 is a left side elevational view thereof;

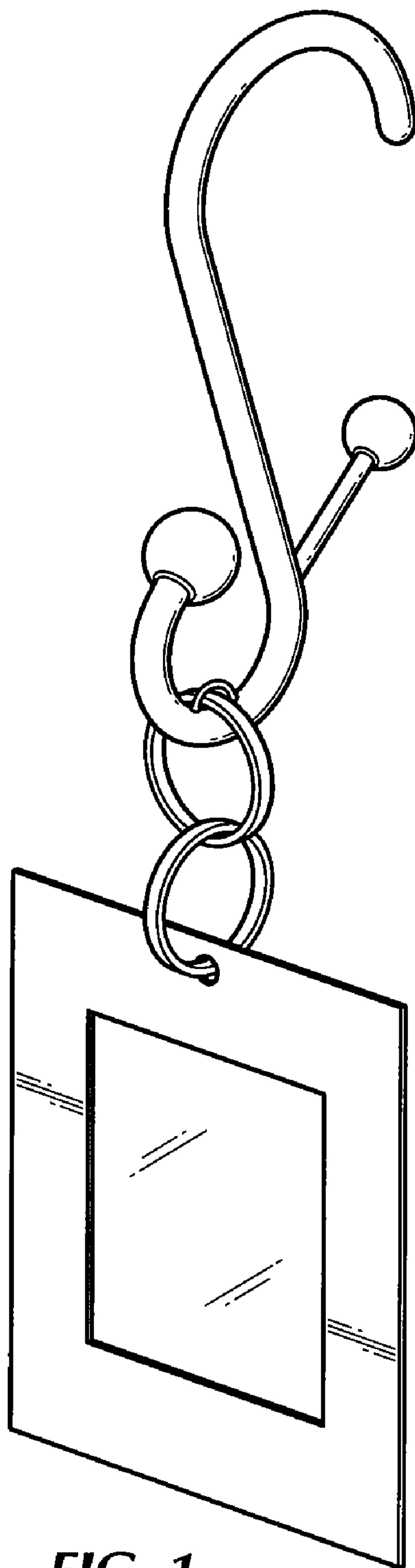
FIG. 5 is a right side elevational view thereof;

FIG. 6 is a top plan view thereof; and,

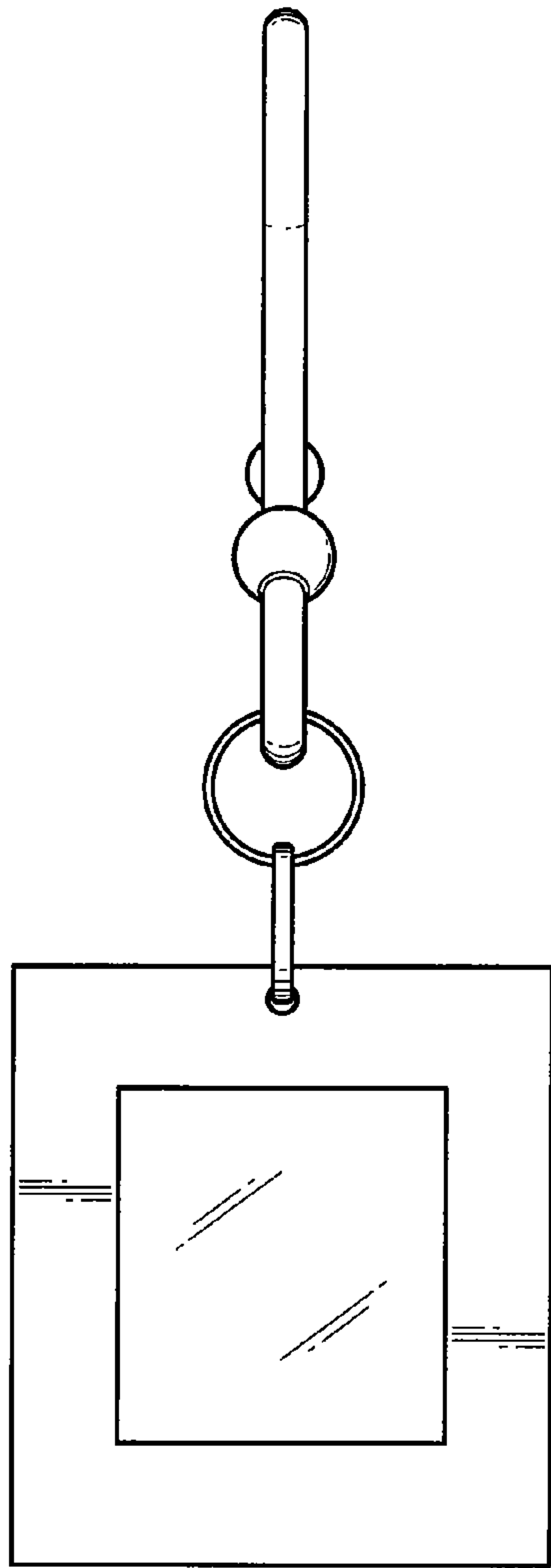
FIG. 7 is a bottom plan view thereof.

**1 Claim, 4 Drawing Sheets**

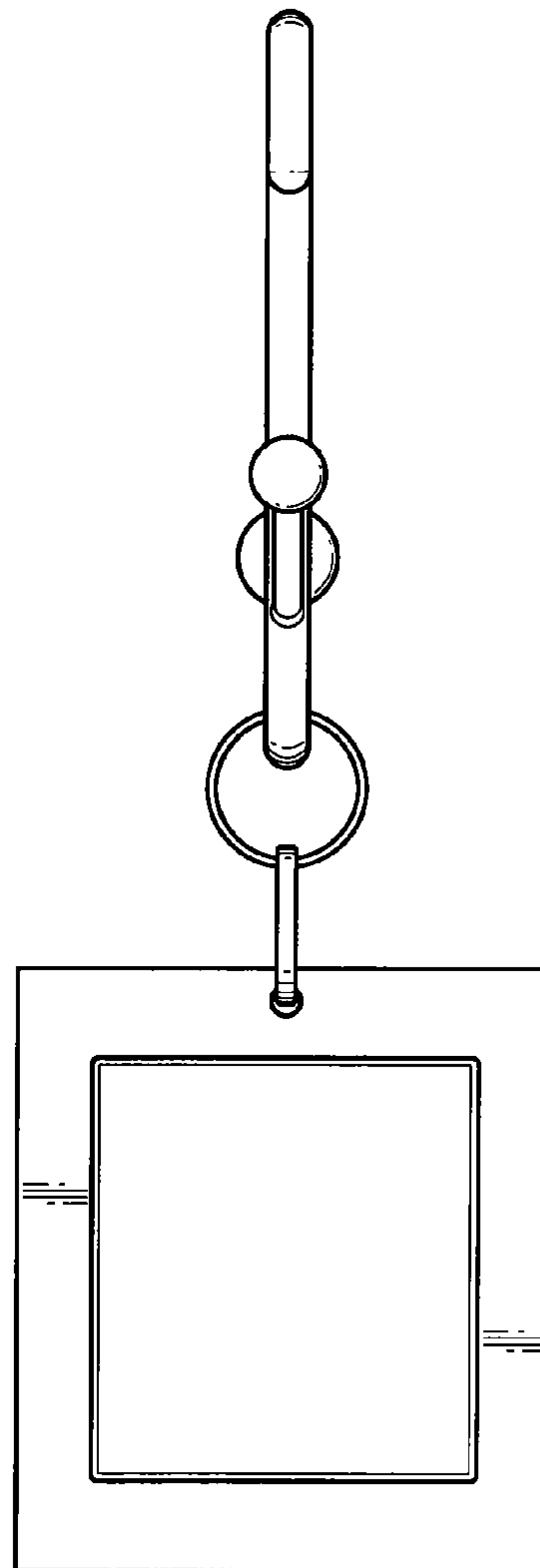




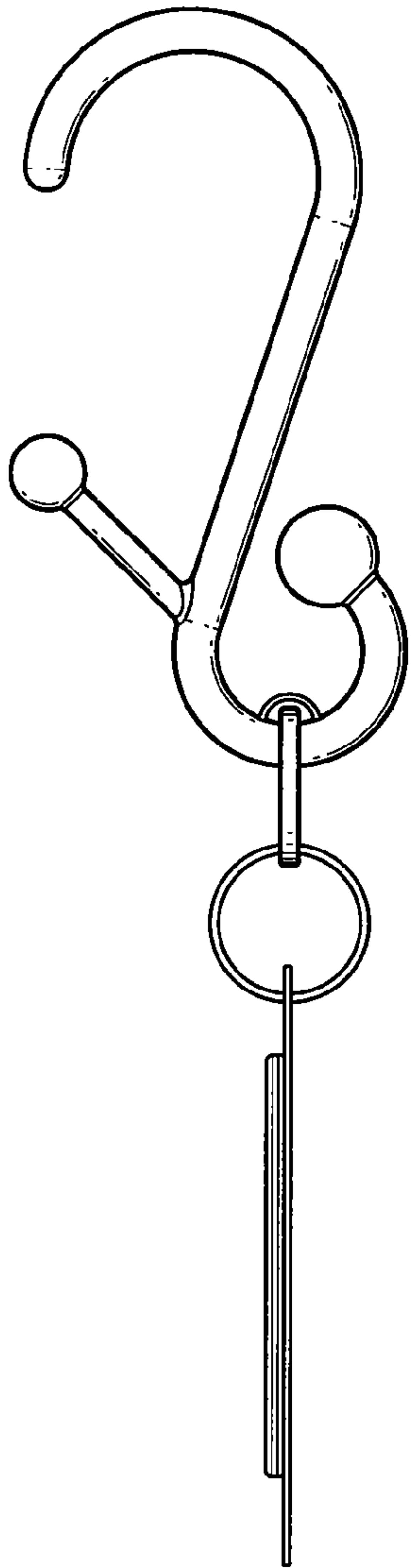
**FIG. 1**



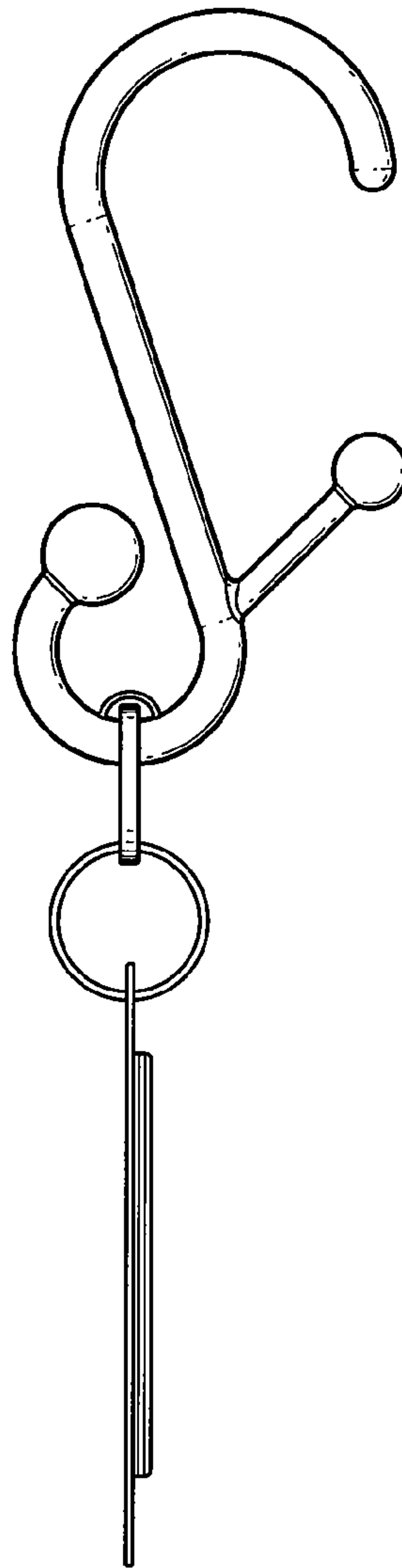
**FIG. 2**



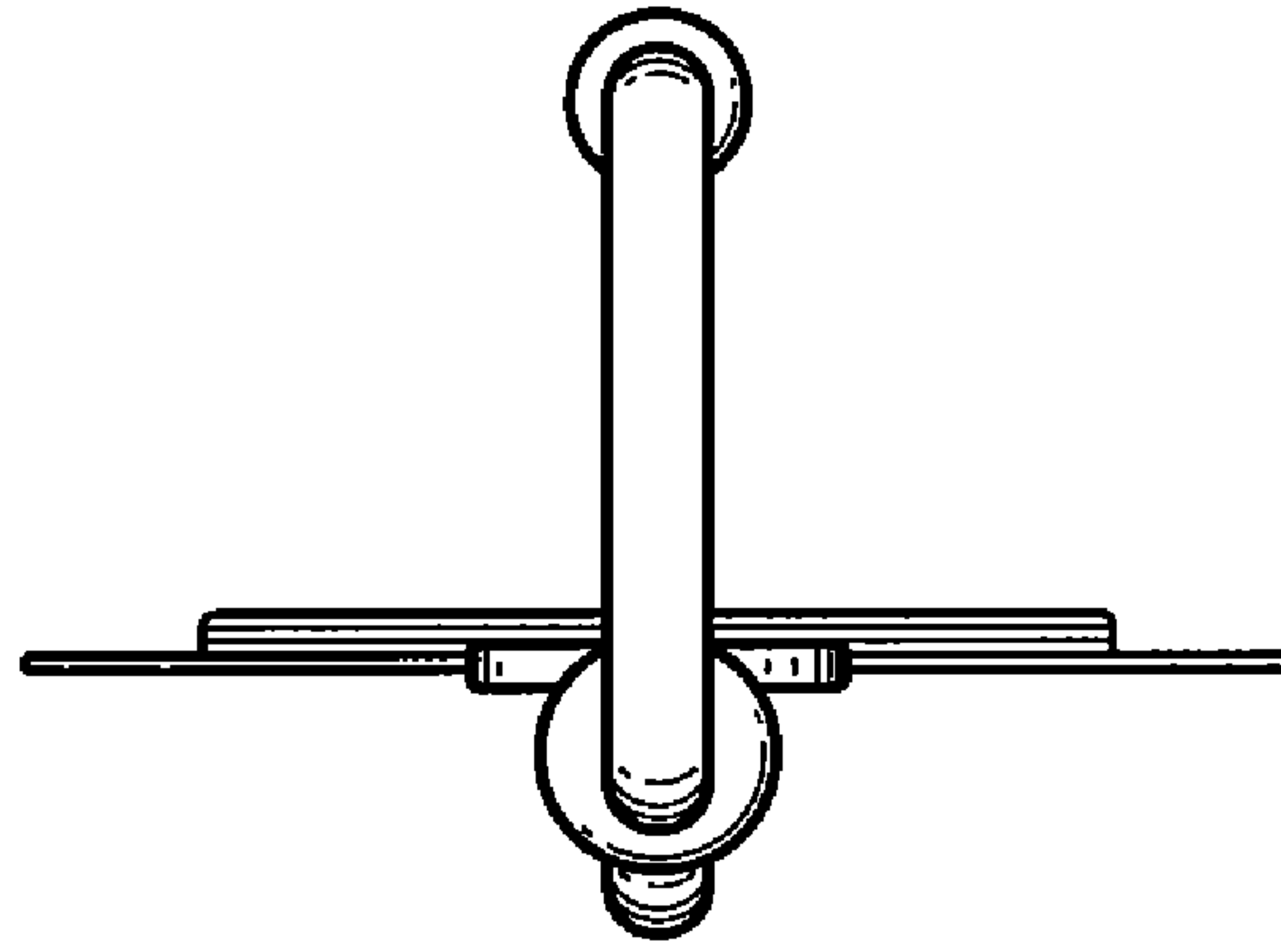
**FIG. 3**



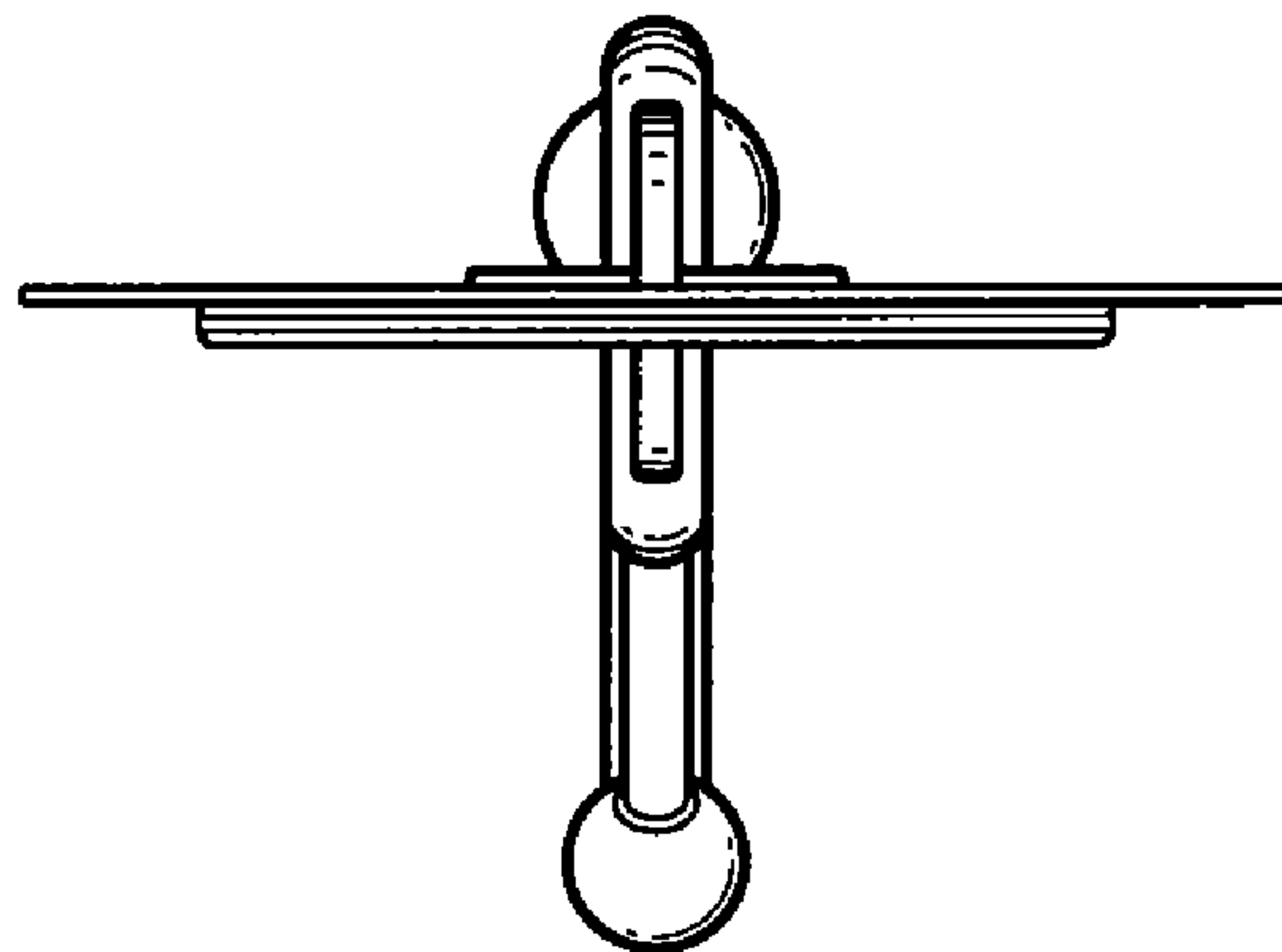
**FIG. 4**



**FIG. 5**



**FIG. 6**



**FIG. 7**