



US00D560921S

(12) **United States Design Patent** (10) **Patent No.:** **US D560,921 S**
Olarte (45) **Date of Patent:** **** Feb. 5, 2008**

(54) **PEW AND BENCH WITH PIVOTING SEAT**
(75) Inventor: **Alvaro Mauricio Olarte**, Aventura, FL (US)
(73) Assignee: **Series International LLC**, Miami, FL (US)
(**) Term: **14 Years**

D445,269 S * 7/2001 Mitjans D6/368
D445,574 S * 7/2001 Foster D6/336
D446,035 S * 8/2001 Haney D6/368
D447,642 S * 9/2001 Kimura D6/368
6,296,315 B1 10/2001 Jensen 297/452
D498,077 S * 11/2004 Tonizzo D6/381
6,874,850 B2 * 4/2005 Berkowicz 297/248
D520,765 S * 5/2006 Piano D6/368
D537,648 S * 3/2007 Moschini D6/381

(21) Appl. No.: **29/275,308**
(22) Filed: **Dec. 20, 2006**

* cited by examiner

Primary Examiner—Sandra Snapp
(74) *Attorney, Agent, or Firm*—St. Onge Steward Johnston & Reens LLC

(51) **LOC (8) Cl.** **06-01**
(52) **U.S. Cl.** **D6/381**
(58) **Field of Classification Search** D6/334–337,
D6/346, 377, 381, 500–502; 297/232, 445.1;
5/12.1, 12.2
See application file for complete search history.

(57) **CLAIM**

The ornamental design for pew and bench with pivoting seat, as shown and described in the drawings.

(56) **References Cited**

DESCRIPTION

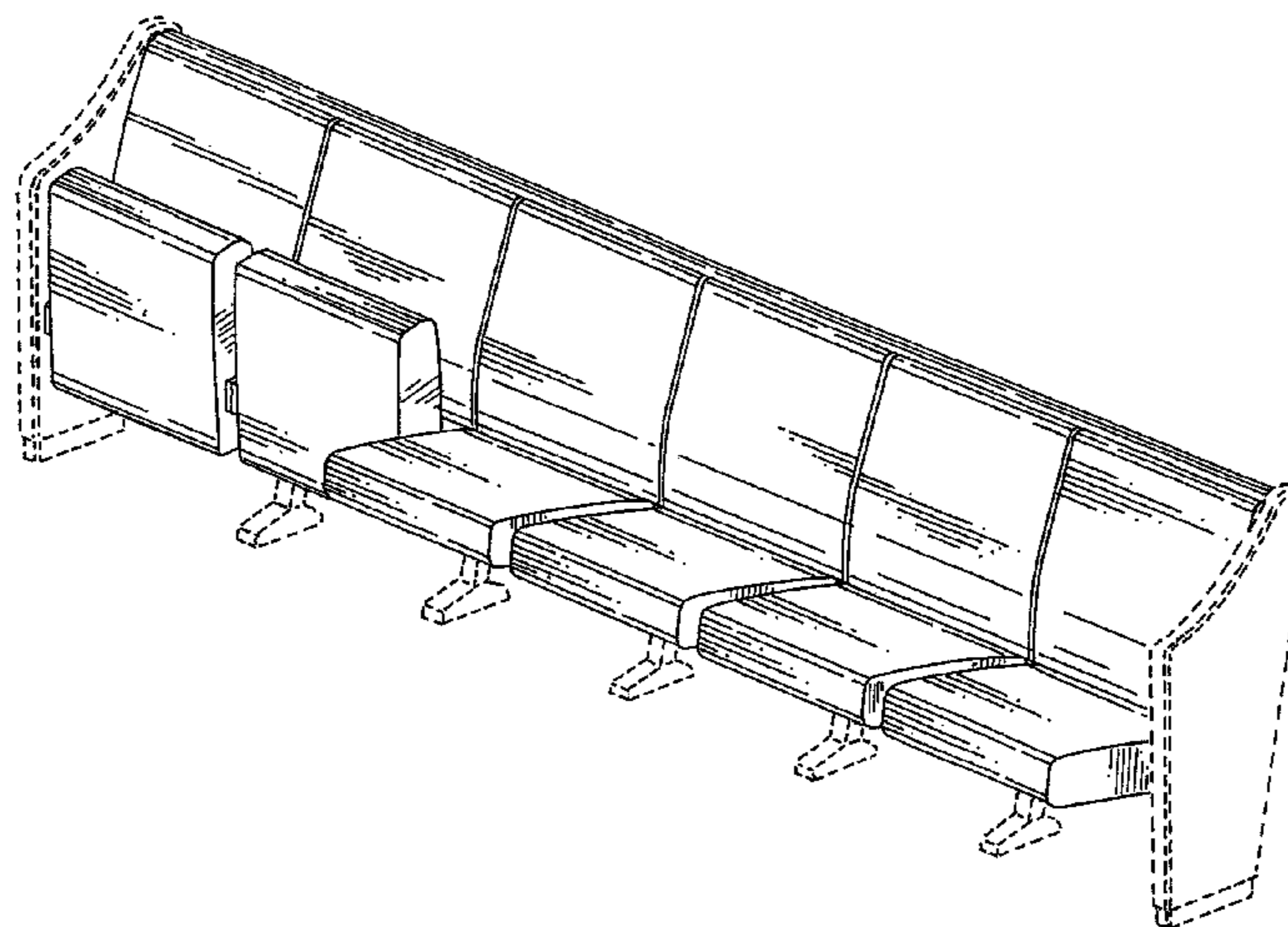
U.S. PATENT DOCUMENTS

1,662,378 A	3/1928	Charles	297/257
3,300,246 A	1/1967	Bouche	297/232
D221,642 S	8/1971	Bayes	430/325
D228,104 S *	8/1973	Blodee	D6/368
3,762,765 A	10/1973	Piretti	297/162
3,785,600 A	1/1974	Padovano	248/188
3,796,459 A	3/1974	Weber	297/60
3,850,476 A	11/1974	Day	297/335
D260,058 S *	8/1981	Ponzellini	D6/336
4,850,159 A	7/1989	Conner	52/9
4,989,915 A	2/1991	Hansal	297/378
5,306,072 A	4/1994	Caldwell	297/232
5,470,128 A	11/1995	Kerkham	297/232
5,529,376 A	6/1996	Jovan et al.	297/257
5,553,923 A	9/1996	Bilezikjian	297/452
D396,967 S *	8/1998	Yamazaki	D6/381
5,845,964 A	12/1998	Phoon	297/162
5,890,761 A	4/1999	Miller	297/232
6,095,603 A	8/2000	Hock	297/232
6,135,562 A	10/2000	Infanti	297/440
D441,972 S *	5/2001	Mitjans	D6/368

FIG. 1 is a front perspective view of a pew and bench with pivoting seat in accordance with the new design;
FIG. 2 is a front elevational view thereof;
FIG. 3 is a top plan view thereof;
FIG. 4 is a rear elevational view thereof;
FIG. 5 is a left side elevational view thereof;
FIG. 6 is a right side elevational view thereof;
FIG. 7 is a front perspective view of another pew and bench with pivoting seat in accordance with the new design;
FIG. 8 is a front elevational view thereof;
FIG. 9 is a top plan view thereof;
FIG. 10 is a rear elevational view thereof;
FIG. 11 is a left side elevational view thereof; and,
FIG. 12 is a right side elevational view thereof.

The broken lines shown in the drawings are for illustrative purposes only and form no part of the claimed design.

1 Claim, 6 Drawing Sheets



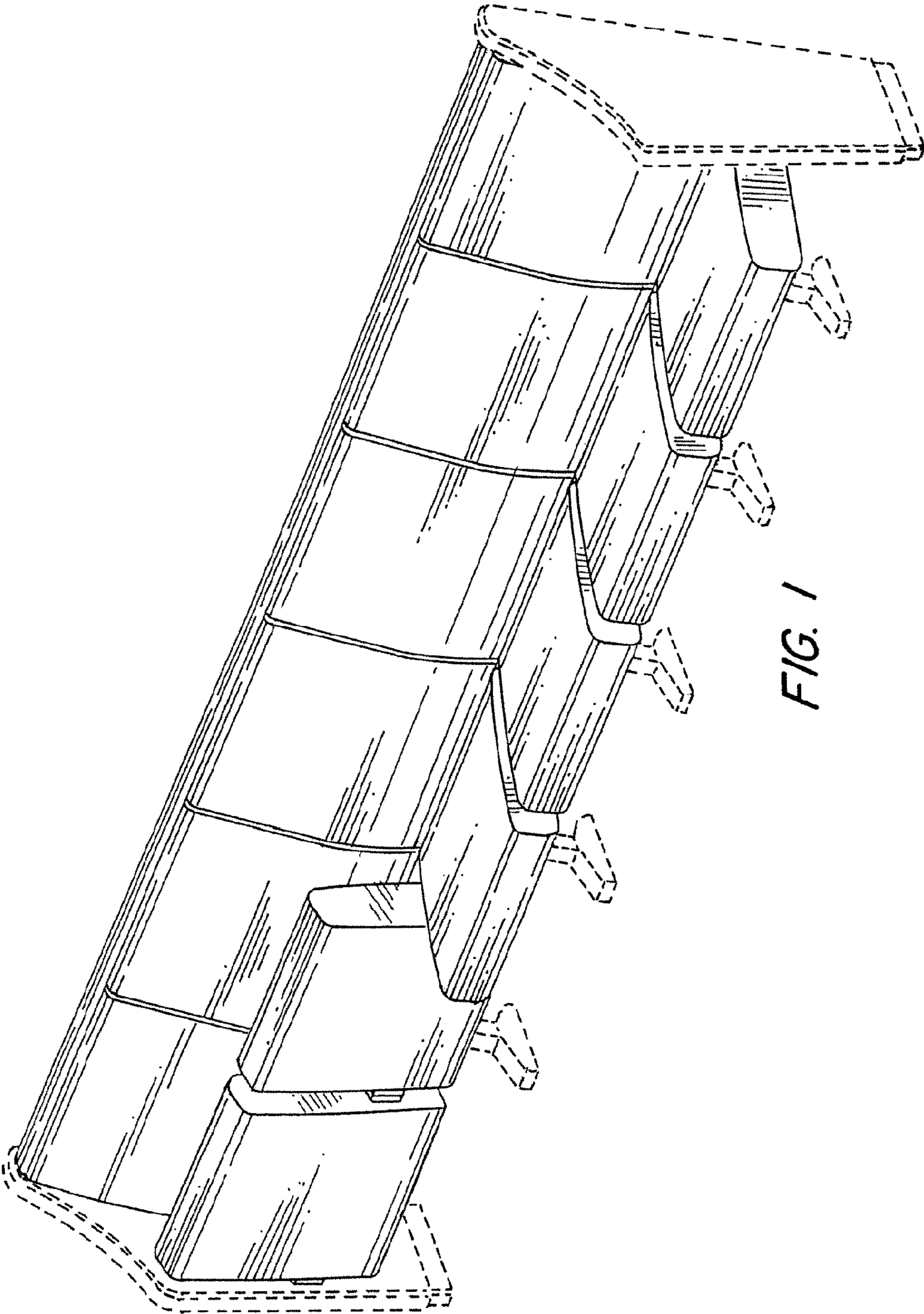


FIG. 2

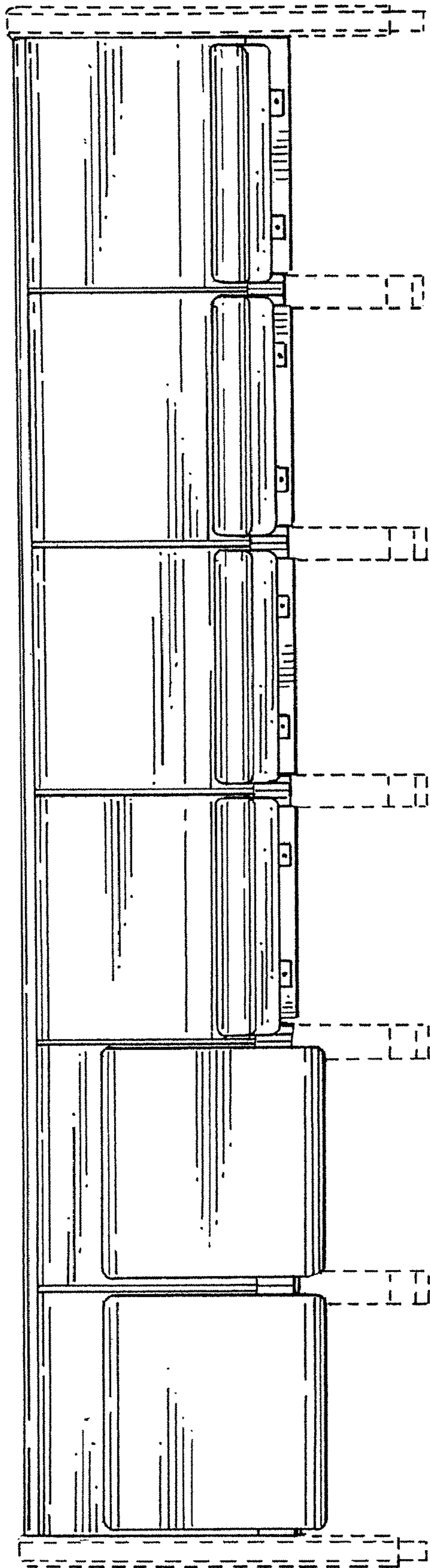
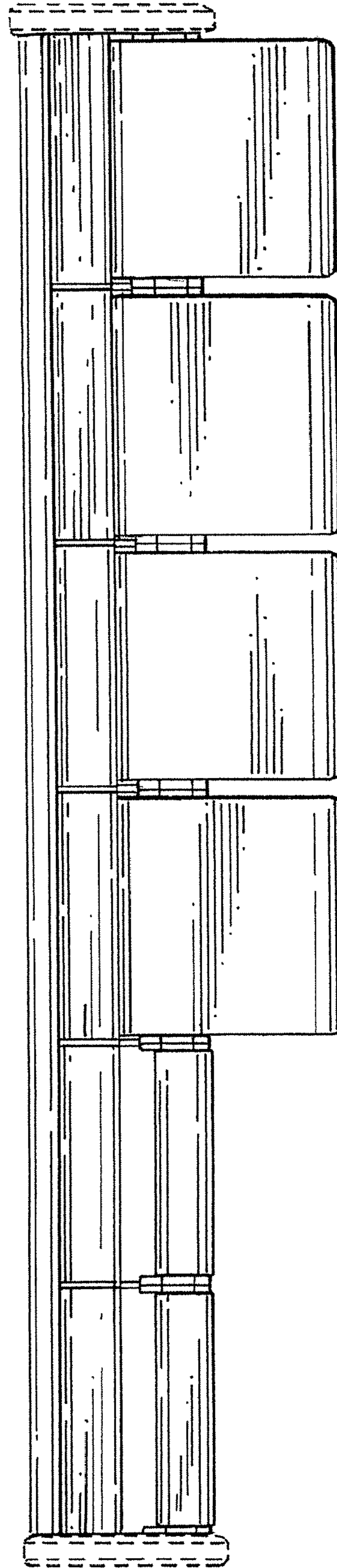


FIG. 3



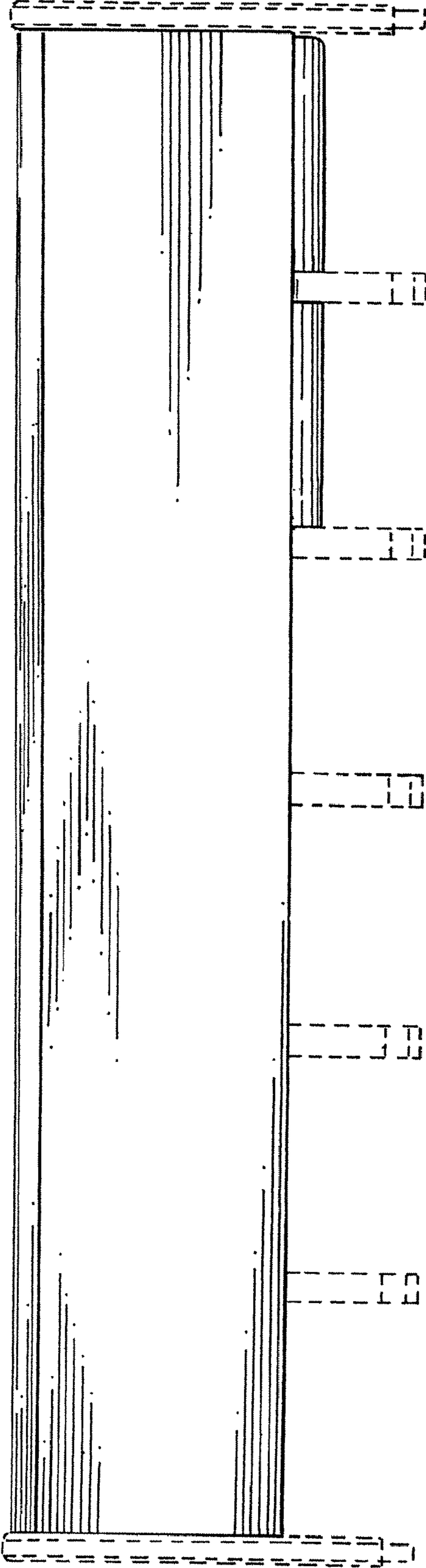


FIG. 4

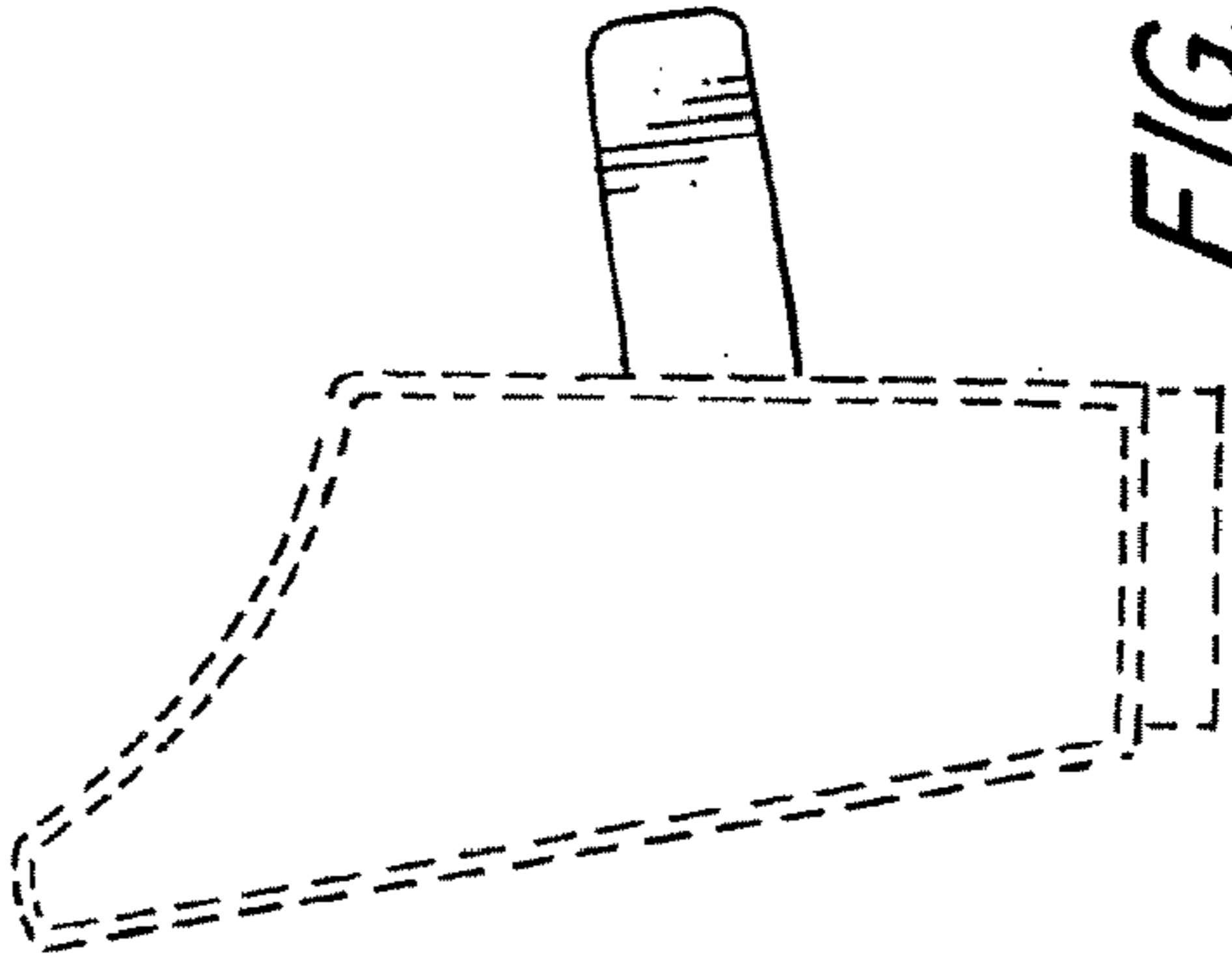


FIG. 5

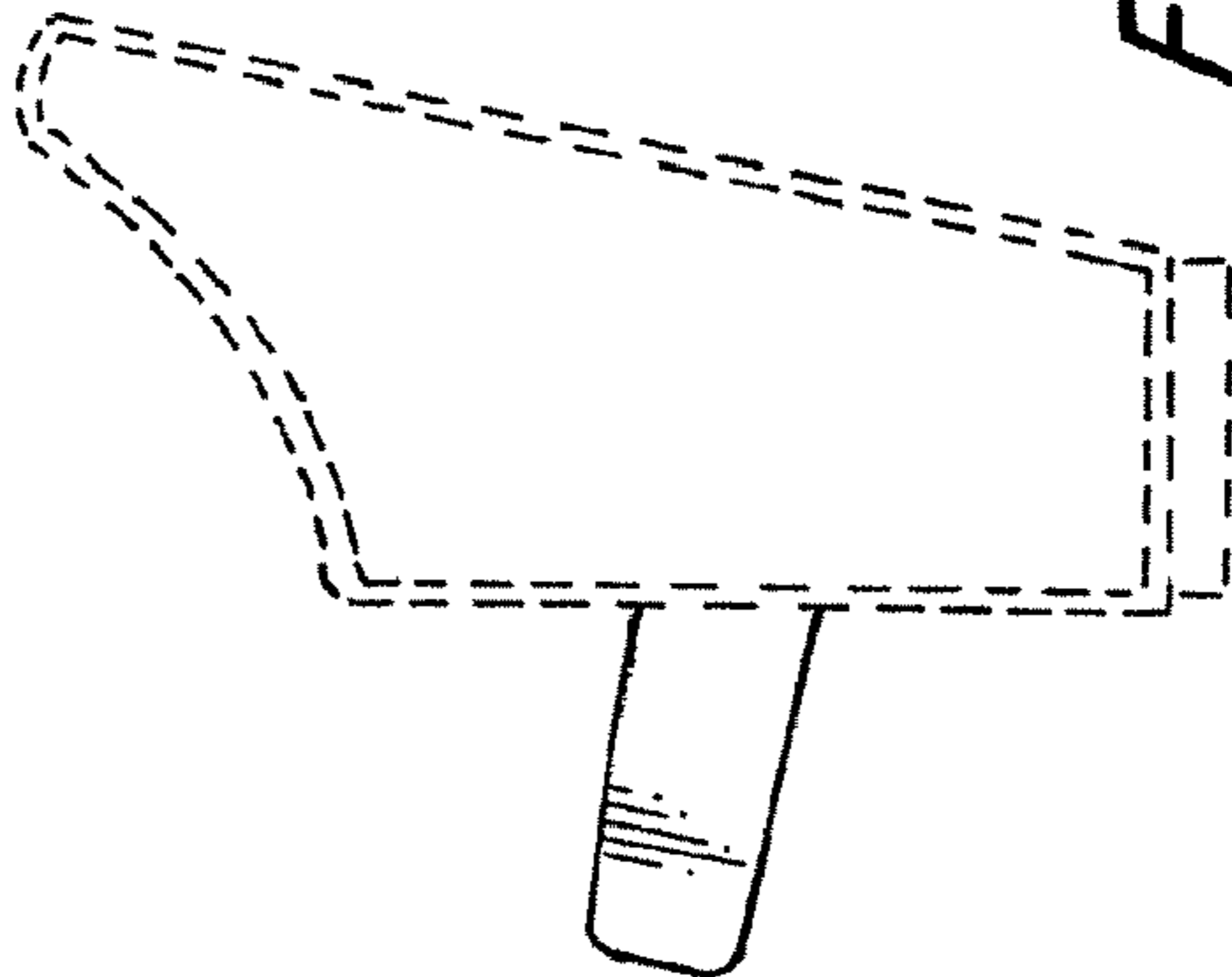


FIG. 6

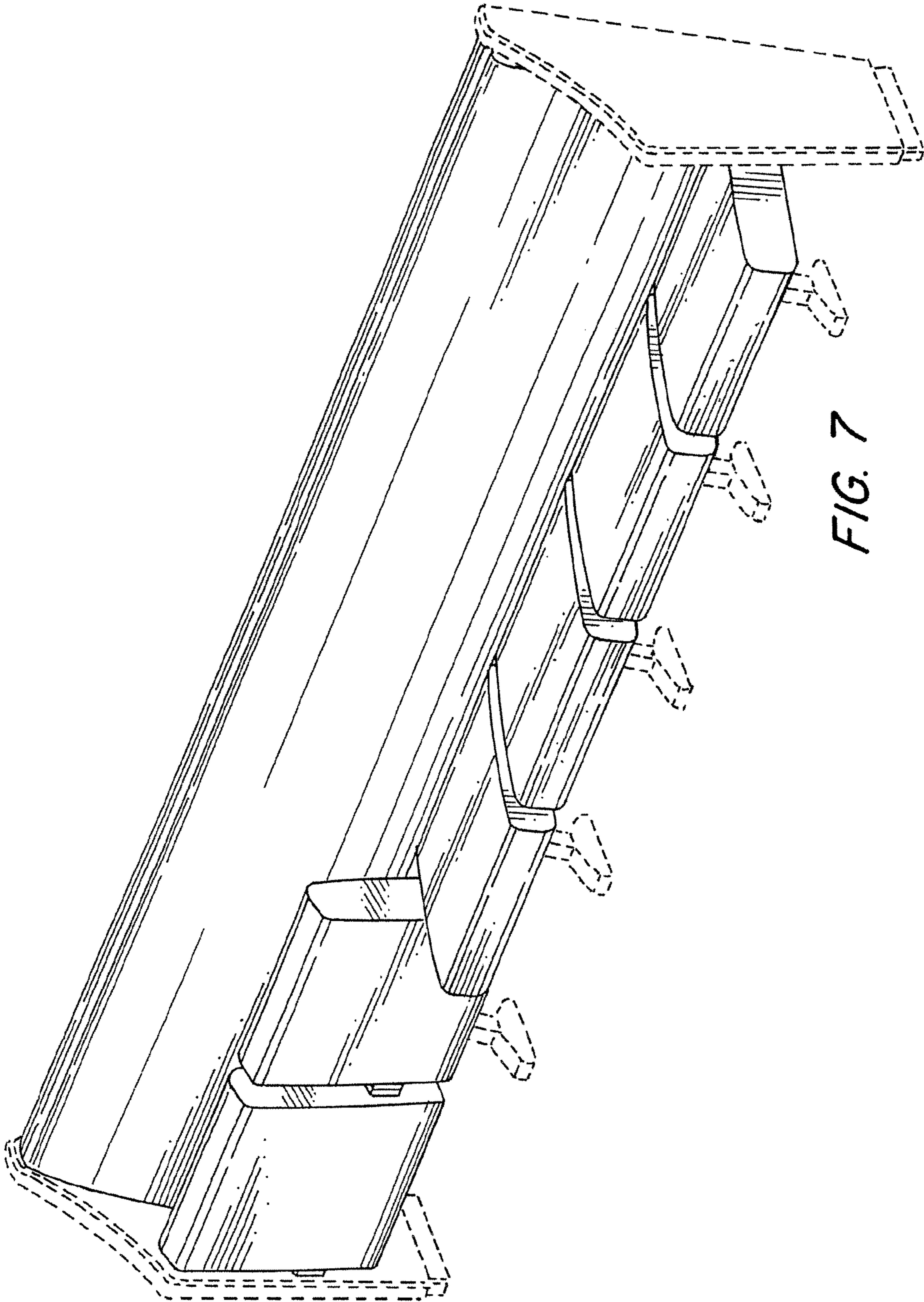
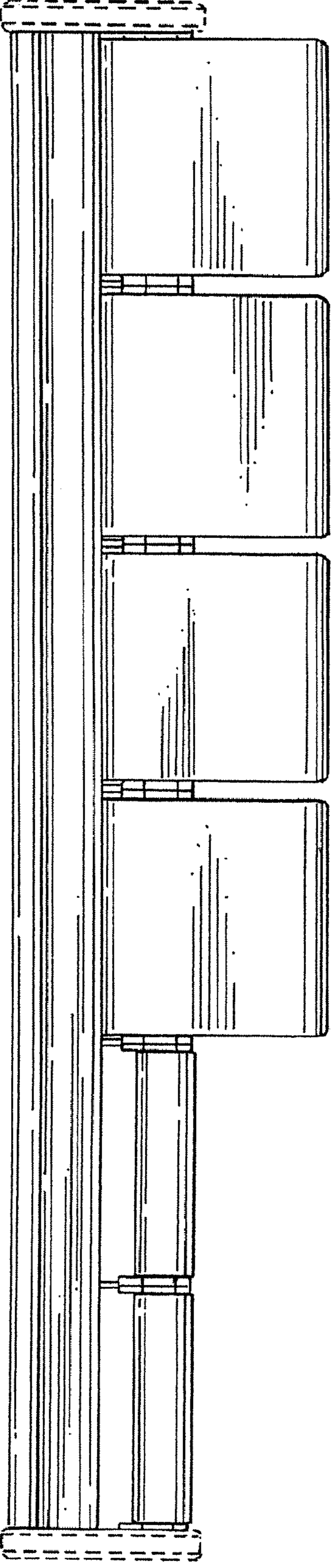
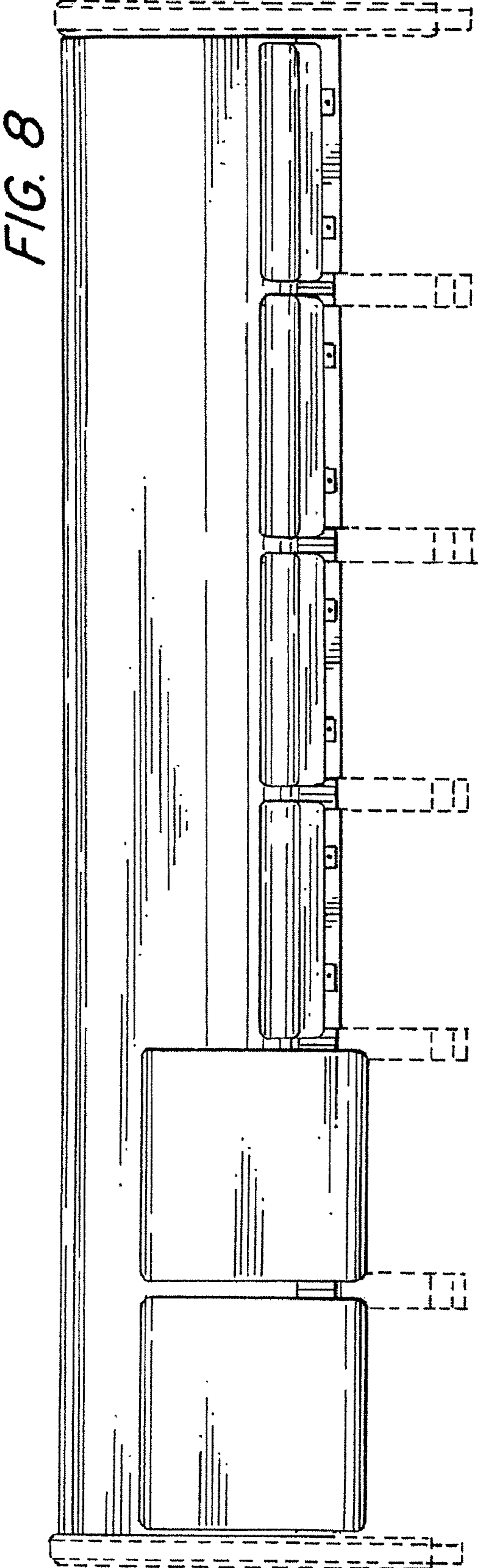


FIG. 7



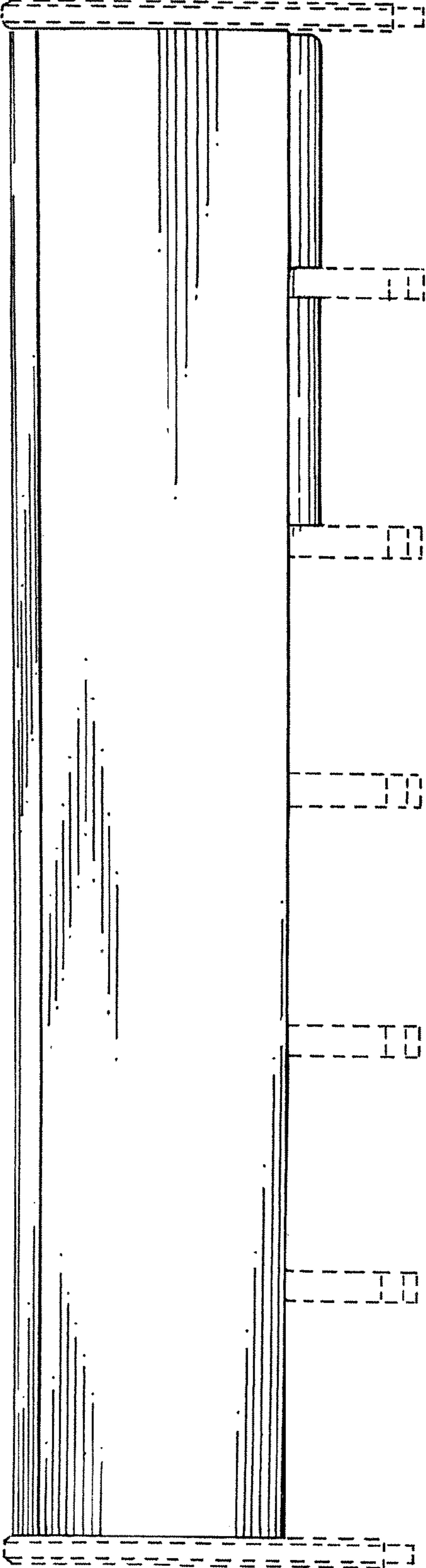


FIG. 10

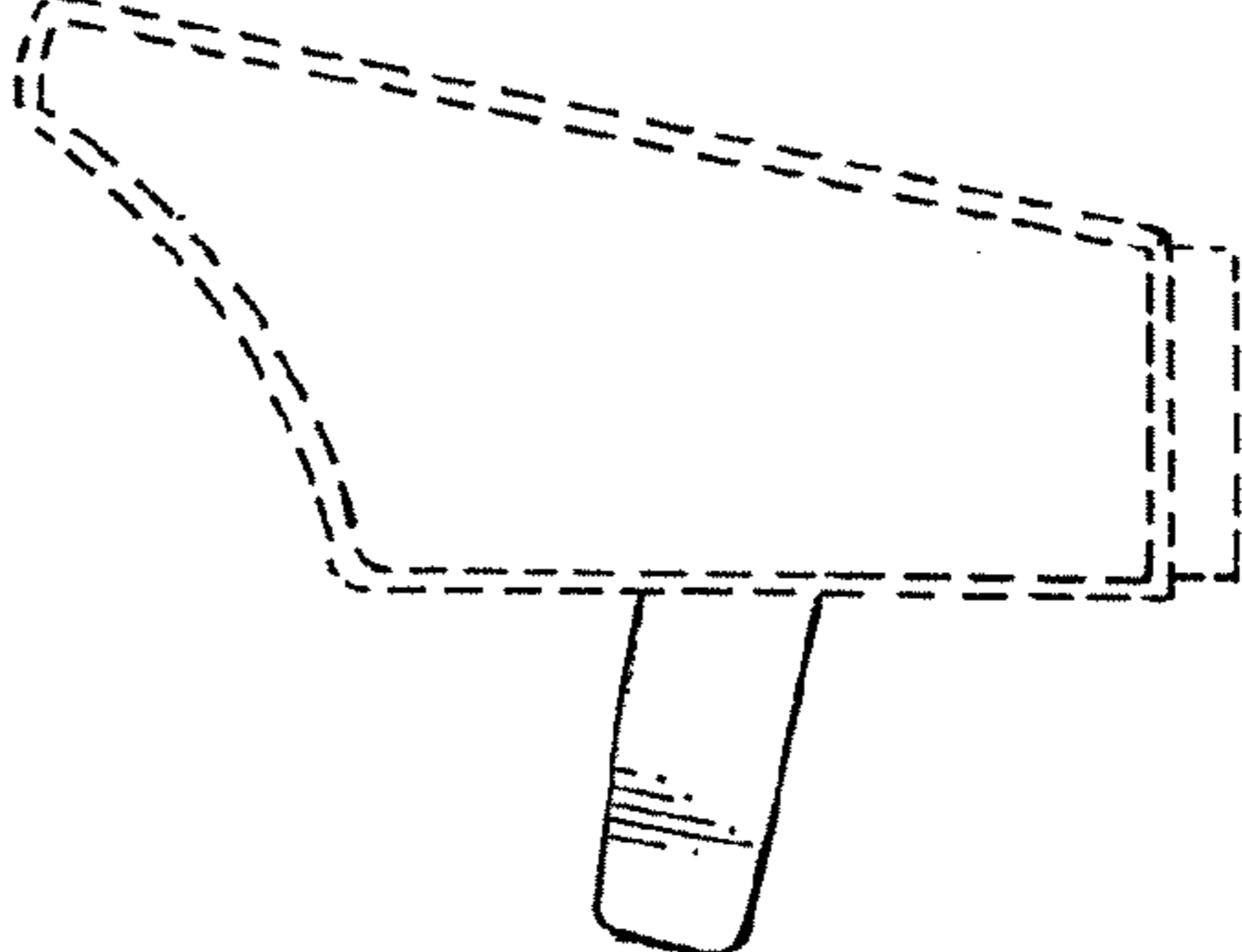


FIG. 12

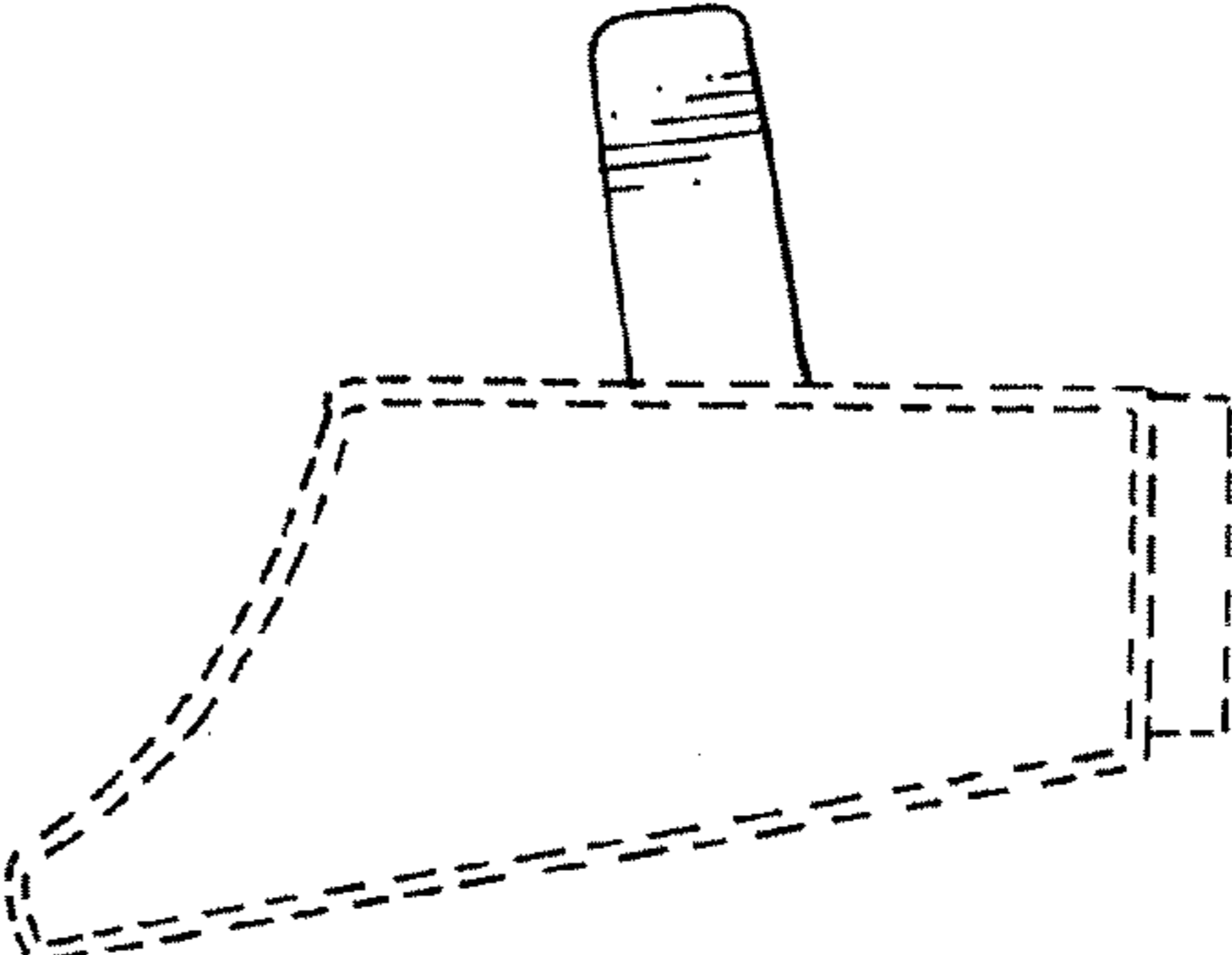


FIG. 11