



US00D560919S

(12) **United States Design Patent**
Simons, Jr.

(10) **Patent No.:** **US D560,919 S**

(45) **Date of Patent:** **** Feb. 5, 2008**

(54) **MODULAR LOUNGE GROUP**

(75) Inventor: **George J. Simons, Jr.**, Bellevue, WA
(US)

(73) Assignee: **Steelcase Development Corporation**,
Grand Rapids, MI (US)

(**) Term: **14 Years**

(21) Appl. No.: **29/231,734**

(22) Filed: **Jun. 9, 2005**

(51) **LOC (8) Cl.** **06-01**

(52) **U.S. Cl.** **D6/381**

(58) **Field of Classification Search** D6/334-337,
D6/346, 377, 381, 500-502; 297/232, 445.1;
5/12.1, 12.2

See application file for complete search history.

(56) **References Cited**

U.S. PATENT DOCUMENTS

D80,600 S *	3/1930	Bernhard	D6/381
D103,416 S *	3/1937	Tyrell	D6/381
D155,624 S *	10/1949	Pahlmann	D6/336
3,817,573 A *	6/1974	Facury	297/125
D338,567 S *	8/1993	Hutton	D6/381
D374,992 S *	10/1996	Burdick et al.	D6/334
D379,269 S *	5/1997	Hutton	D6/334
D379,564 S *	6/1997	Burdick et al.	D6/381
D380,095 S *	6/1997	Diaz-Azcuy	D6/334
D382,123 S *	8/1997	Pimental et al.	D6/334
D382,129 S *	8/1997	Lewis	D6/381
D383,618 S *	9/1997	Burdick et al.	D6/381
D423,808 S *	5/2000	Natuzzi et al.	D6/381
D427,448 S *	7/2000	Natuzzi et al.	D6/381
D433,825 S *	11/2000	Piretti	D6/334
D439,431 S *	3/2001	Binder et al.	D6/381
D441,978 S *	5/2001	Hutton	D6/381
D446,961 S *	8/2001	Natuzzi et al.	D6/381
D448,946 S *	10/2001	Goetz	D6/381
D476,163 S *	6/2003	Ricci	D6/381

D479,055 S *	9/2003	Nicoletti	D6/381
D479,409 S *	9/2003	Nicoletti	D6/381
D484,709 S *	1/2004	Cronk et al.	D6/336
D490,997 S *	6/2004	Nastri	D6/381
D501,330 S *	2/2005	Gomez	D6/334
D519,743 S *	5/2006	Suzuki et al.	D6/381

* cited by examiner

Primary Examiner—Sandra Snapp

(74) *Attorney, Agent, or Firm*—Quarles & Brady LLP

(57) **CLAIM**

The ornamental design for a modular lounge group, as shown and described.

DESCRIPTION

FIG. 1 is a front, right upper perspective view of a first embodiment of a section of a modular lounge group embodying my new design;

FIG. 2 is a right side elevational view thereof, the left side elevational view being a mirror image thereof;

FIG. 3 is a top plan view thereof;

FIG. 4 is a front elevational view thereof;

FIG. 5 is a rear elevational view thereof;

FIG. 6 is a front, right upper perspective view of a second embodiment of a section of a modular lounge group embodying my new design;

FIG. 7 is a right side elevational view thereof, the left side elevational view being a mirror image thereof;

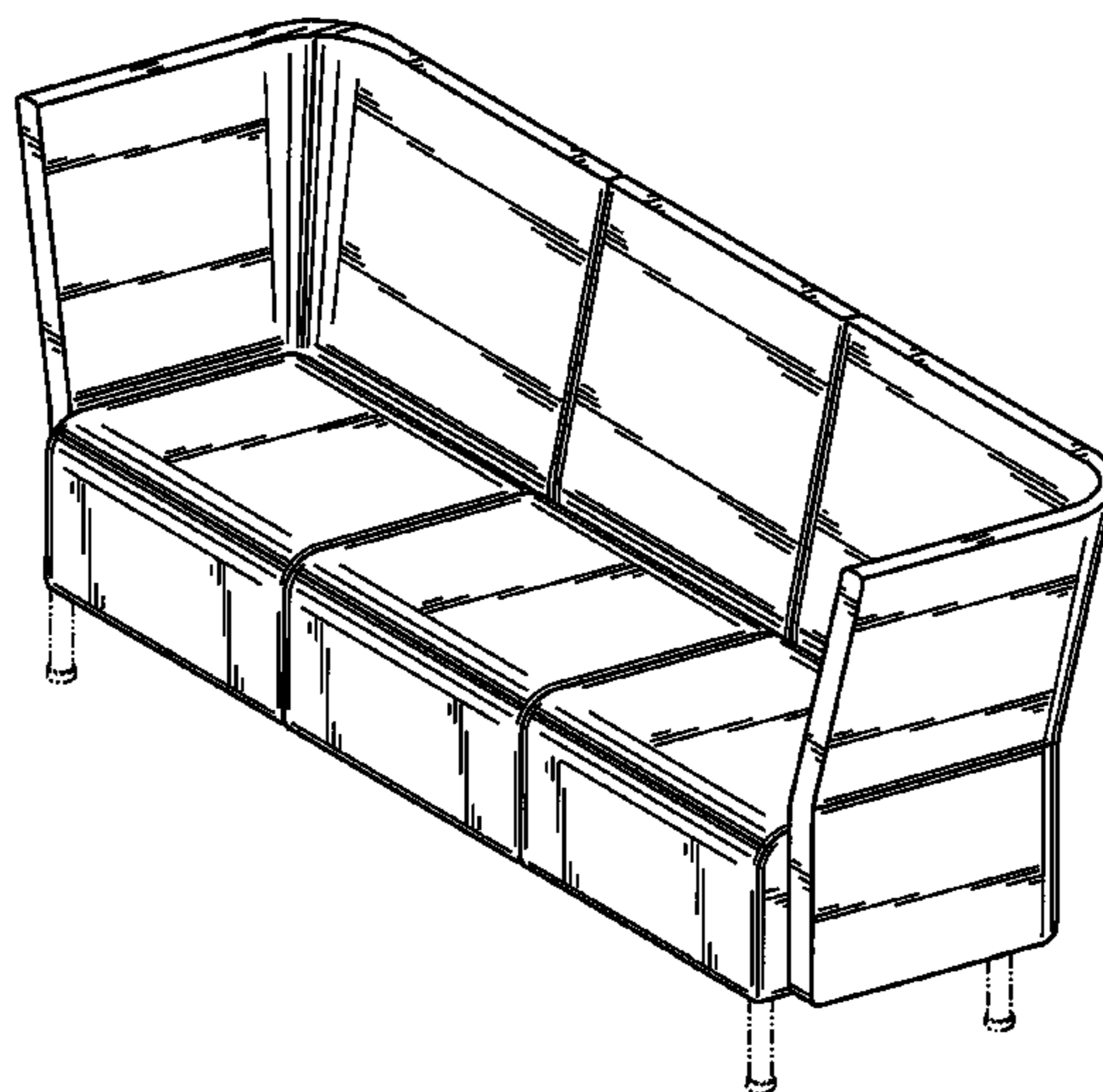
FIG. 8 is a top plan view thereof;

FIG. 9 is a front elevational view thereof; and,

FIG. 10 is a rear elevational view thereof.

The broken line representations of lounge support structure in FIGS. 1-2, 4-7, and 9-10 are for the purpose of illustration only, and form no part of the claimed design.

1 Claim, 6 Drawing Sheets



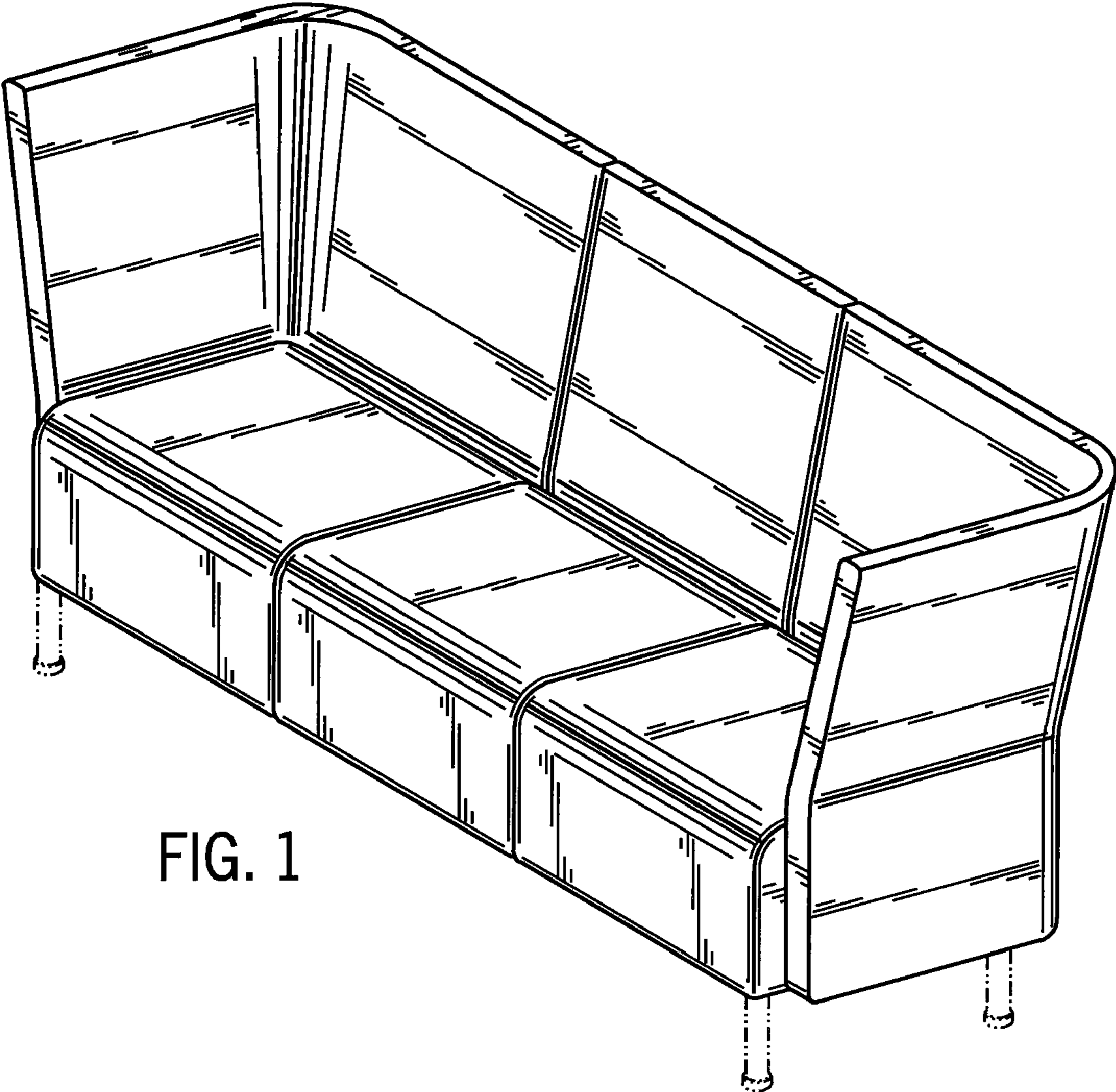


FIG. 1

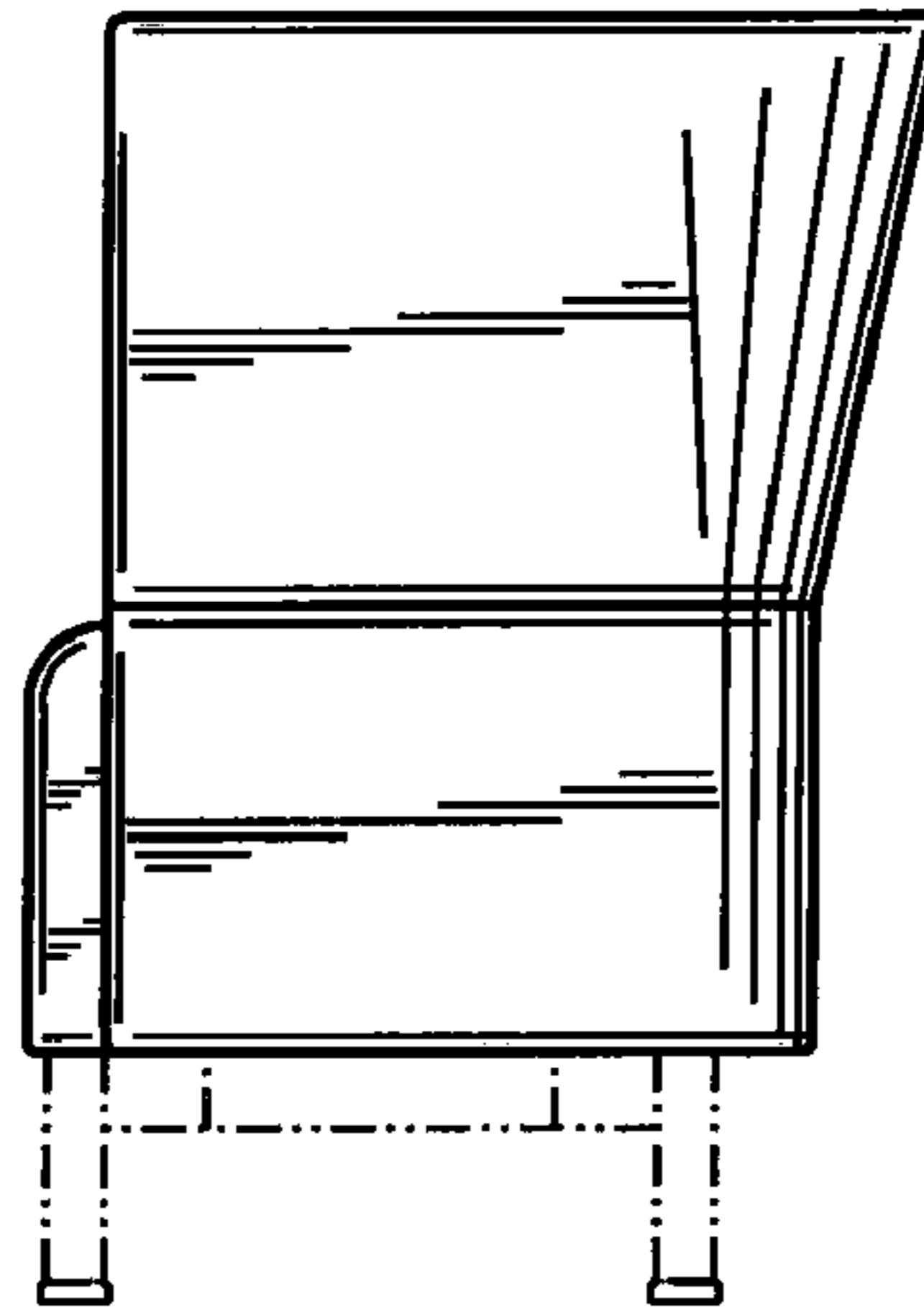


FIG. 2

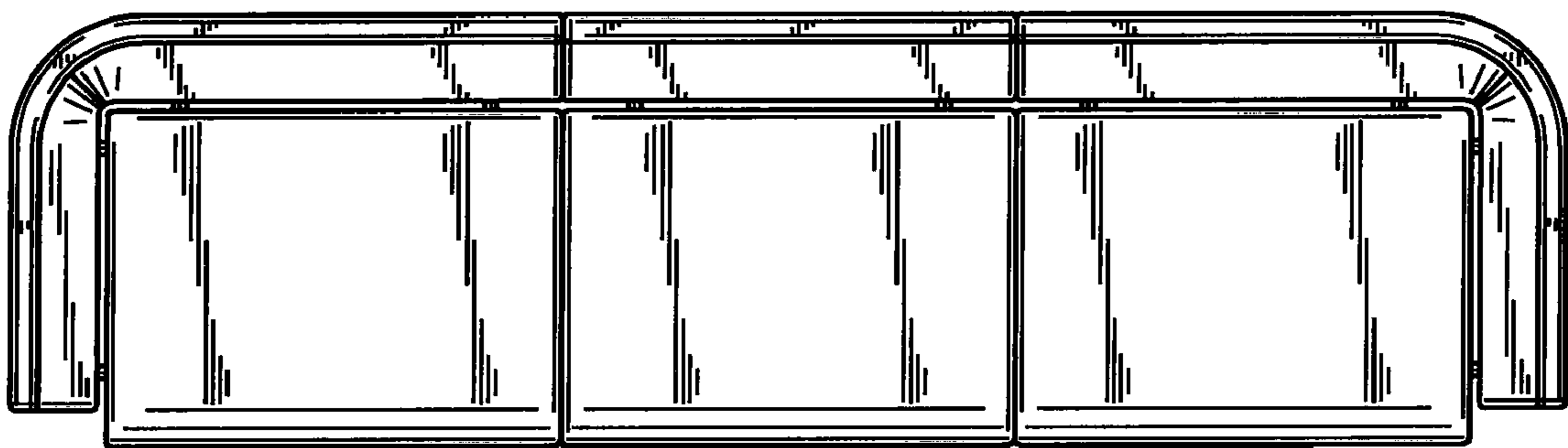


FIG. 3

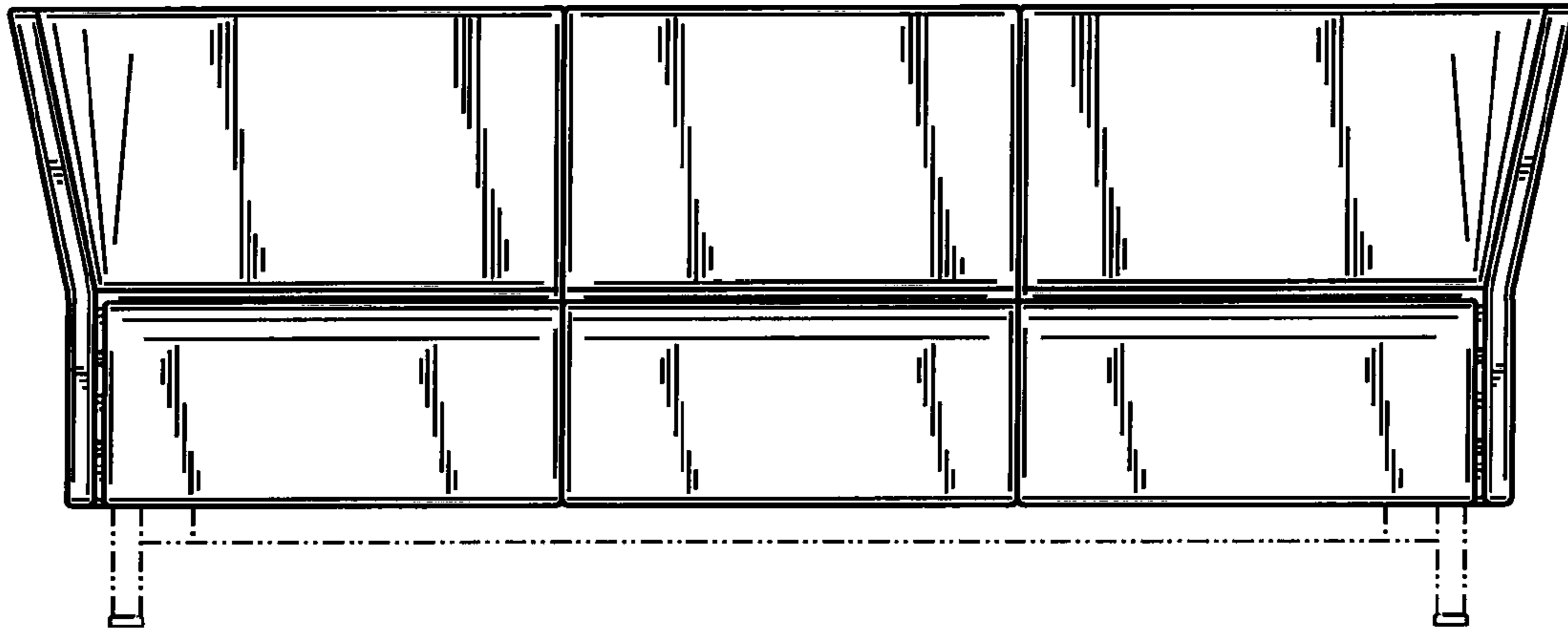


FIG. 4

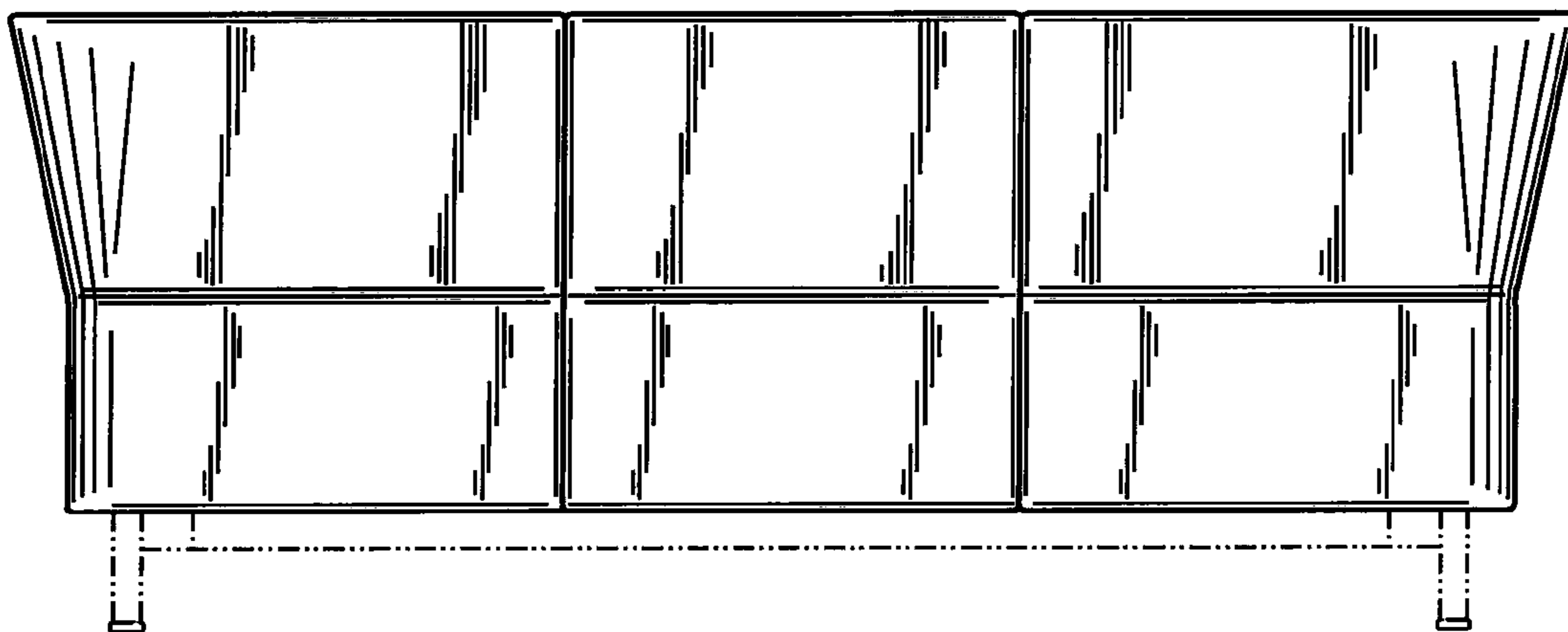


FIG. 5

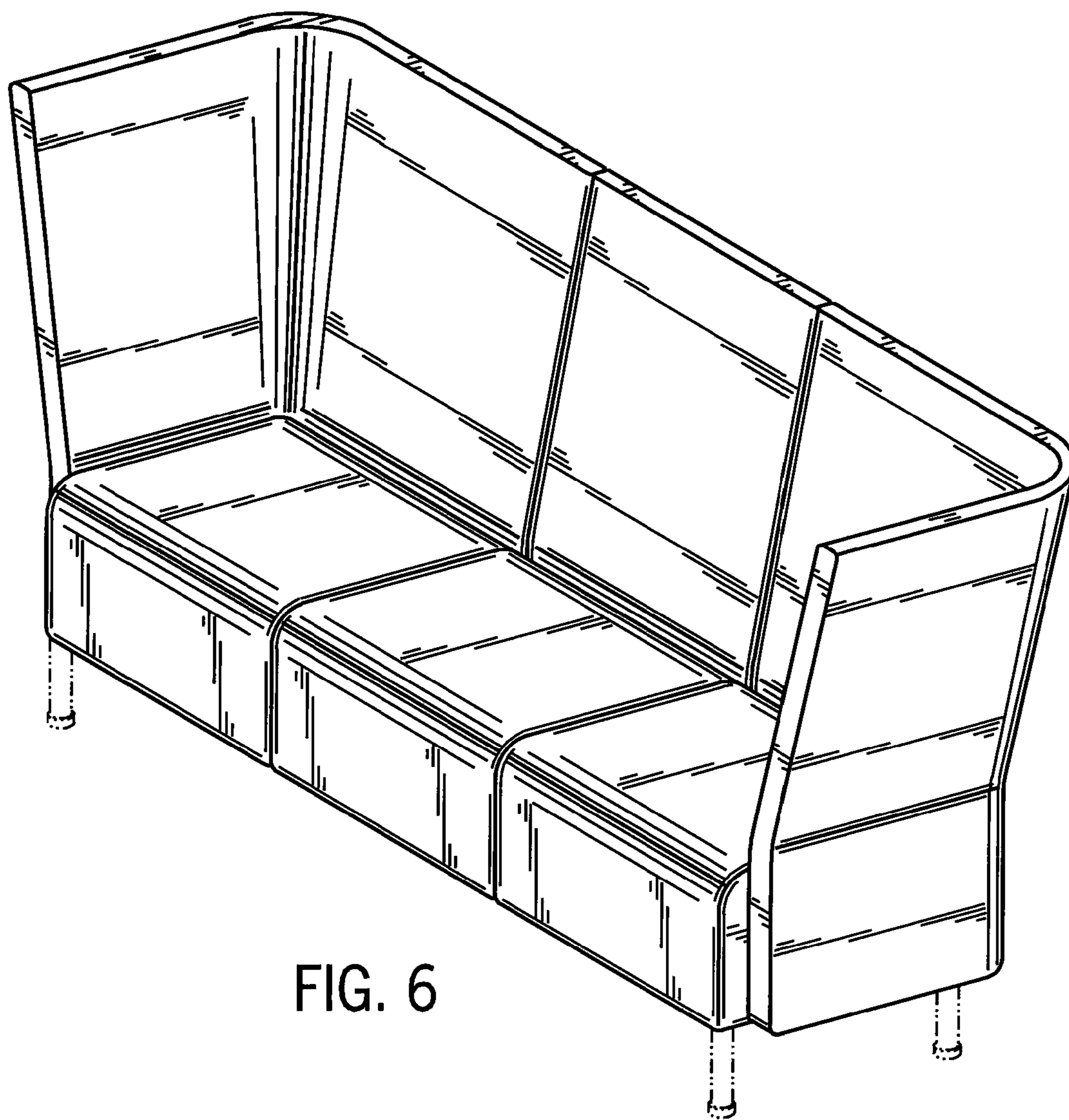


FIG. 6

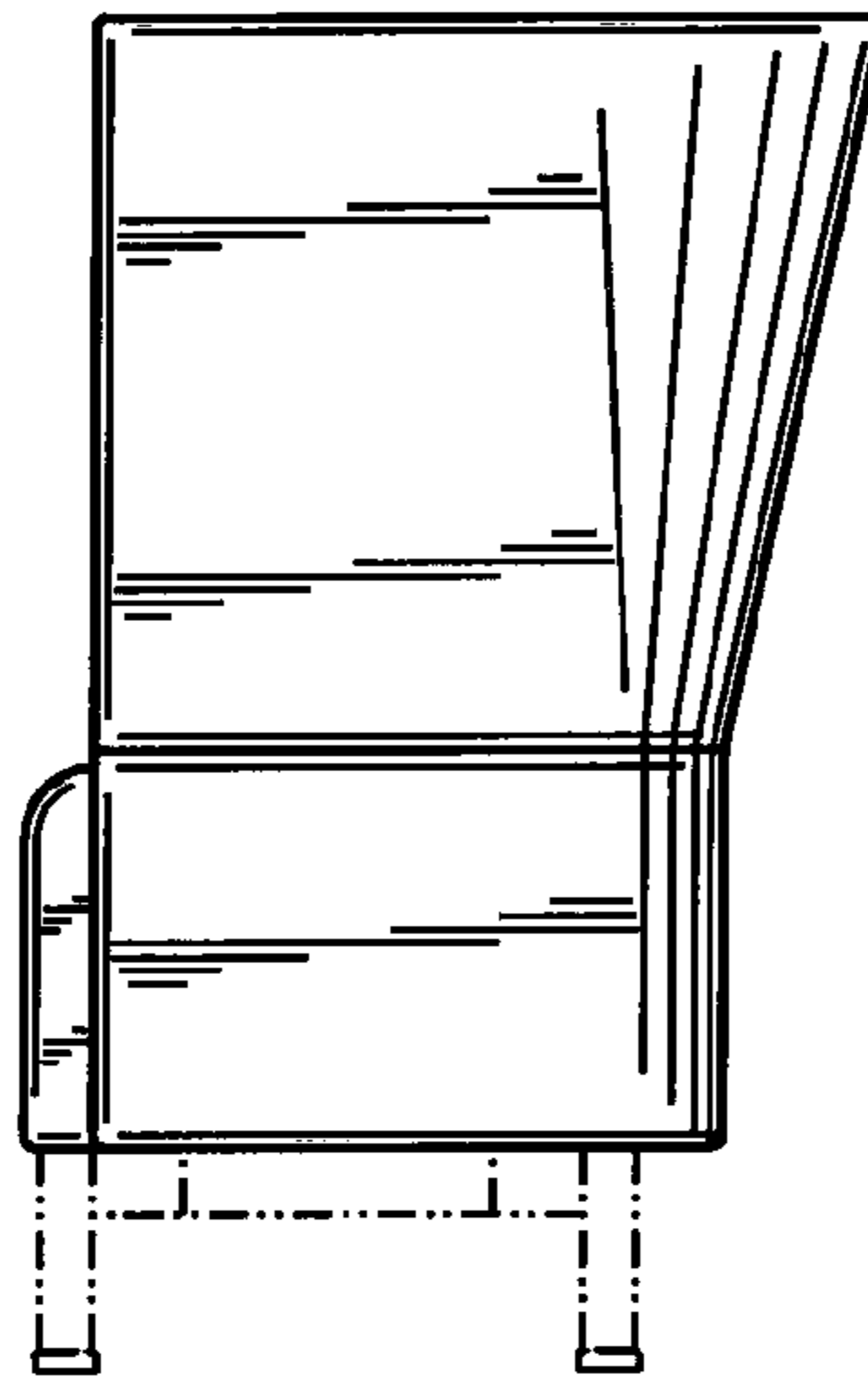


FIG. 7

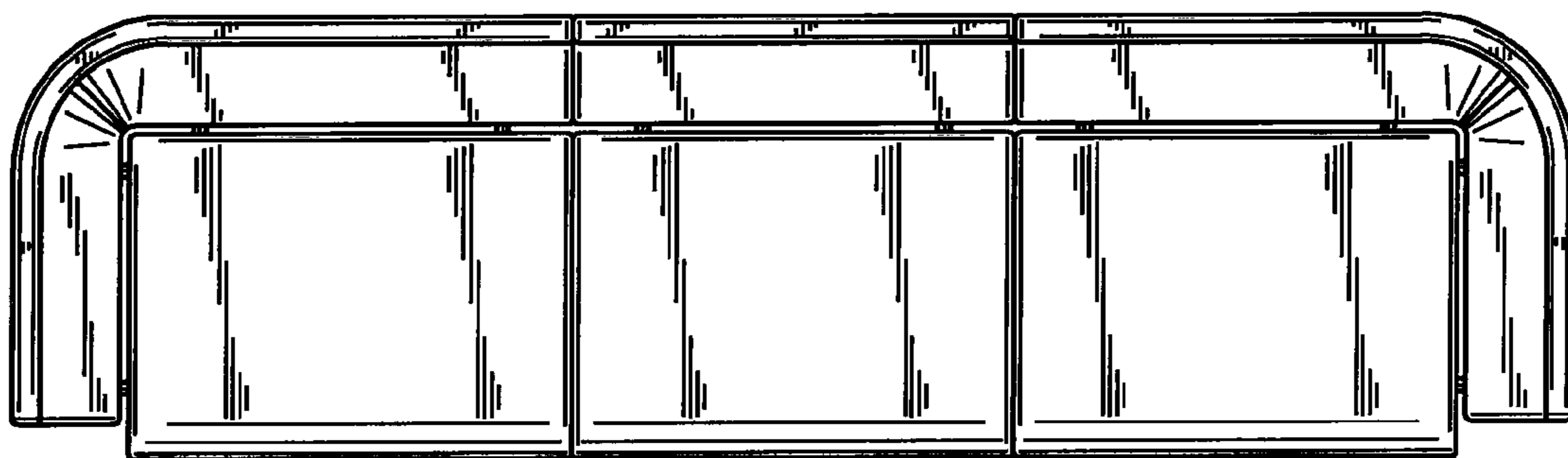


FIG. 8

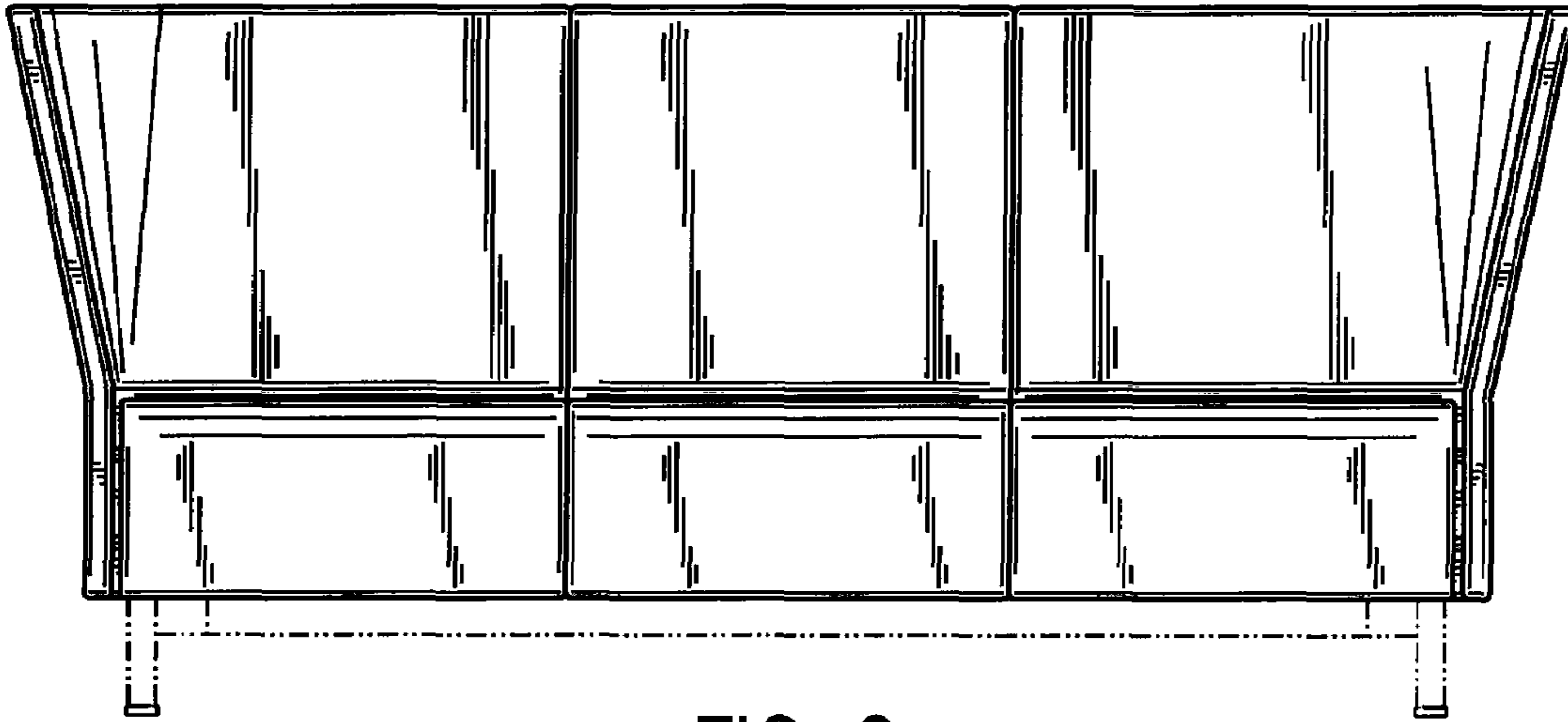


FIG. 9

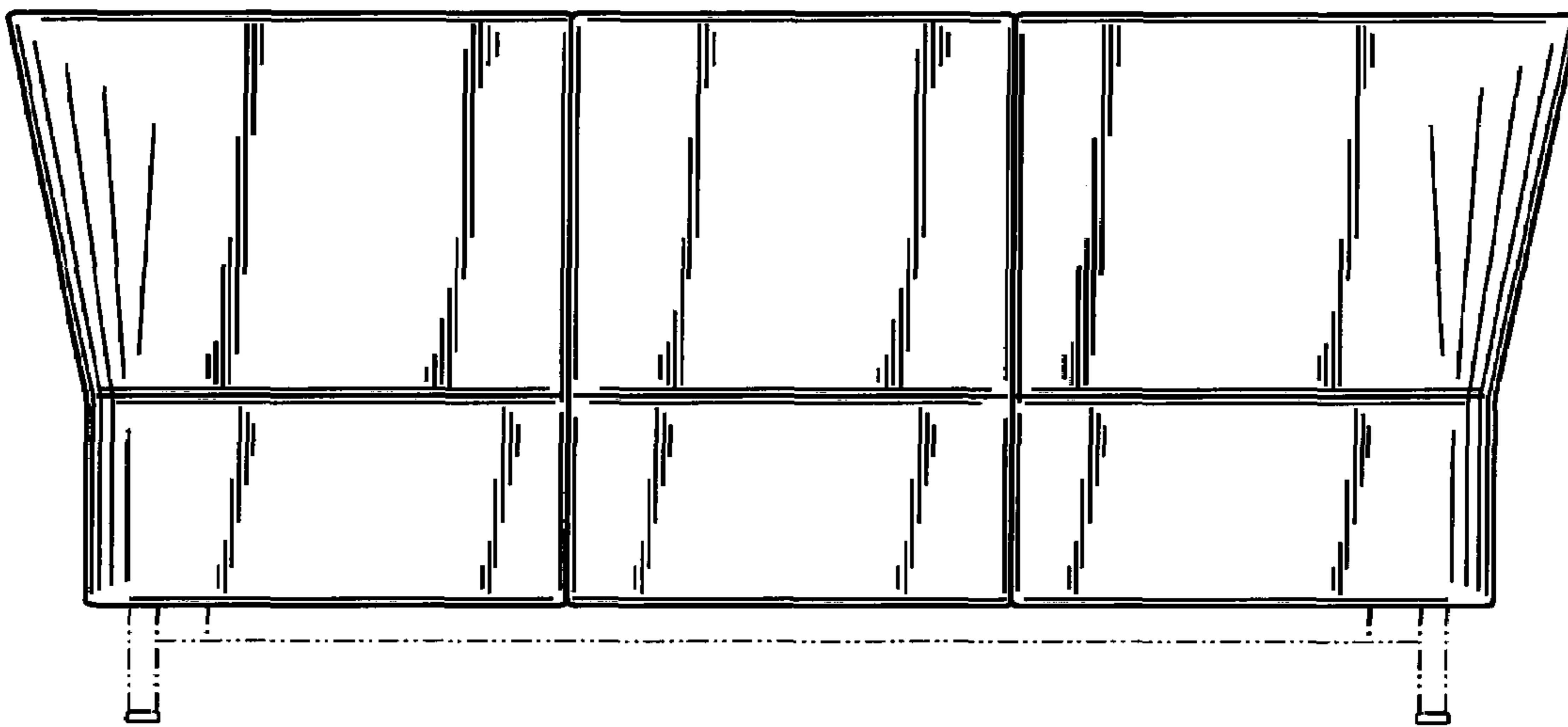


FIG. 10