

US00D560918S

(12) **United States Design Patent**
Fuksas

(10) **Patent No.:** **US D560,918 S**
(45) **Date of Patent:** **** Feb. 5, 2008**

- (54) **CHAIR**
- (75) Inventor: **Massimiliano Fuksas**, Rome (IT)
- (73) Assignee: **Luxy S.R.L.**, Vicenza (IT)
- (**) Term: **14 Years**
- (21) Appl. No.: **29/274,872**
- (22) Filed: **Jun. 4, 2007**

D220,388 S *	4/1971	Kramer	D6/366
D227,830 S *	7/1973	Klose	D6/366
D233,808 S *	12/1974	Ruf	D6/366
D236,173 S *	8/1975	Ruf	D6/366
D255,183 S *	6/1980	Locher	D6/366
D255,293 S *	6/1980	Locher	D6/366
D346,909 S *	5/1994	Obata et al.	D6/366
D348,571 S *	7/1994	Obata et al.	D6/366
D439,449 S *	3/2001	Klinkhammer	D6/500
D476,834 S *	7/2003	Bartlmae	D6/500

* cited by examiner

Related U.S. Application Data

- (63) Continuation of application No. 29/244,021, filed on Dec. 5, 2005, now abandoned.

Primary Examiner—Mimosa De
(74) *Attorney, Agent, or Firm*—Dykema Gossett PLLC

- (51) **LOC (8) Cl.** **06-01**
- (52) **U.S. Cl.** **D6/366**
- (58) **Field of Classification Search** D6/334–336,
D6/356, 364–367, 374, 375, 379, 380, 498,
D6/500–502; 297/411.2, 411.27, 452.12,
297/452.21, 452.29, 452.32, 452.35
See application file for complete search history.

(57) **CLAIM**

The ornamental design for a chair, as shown and described.

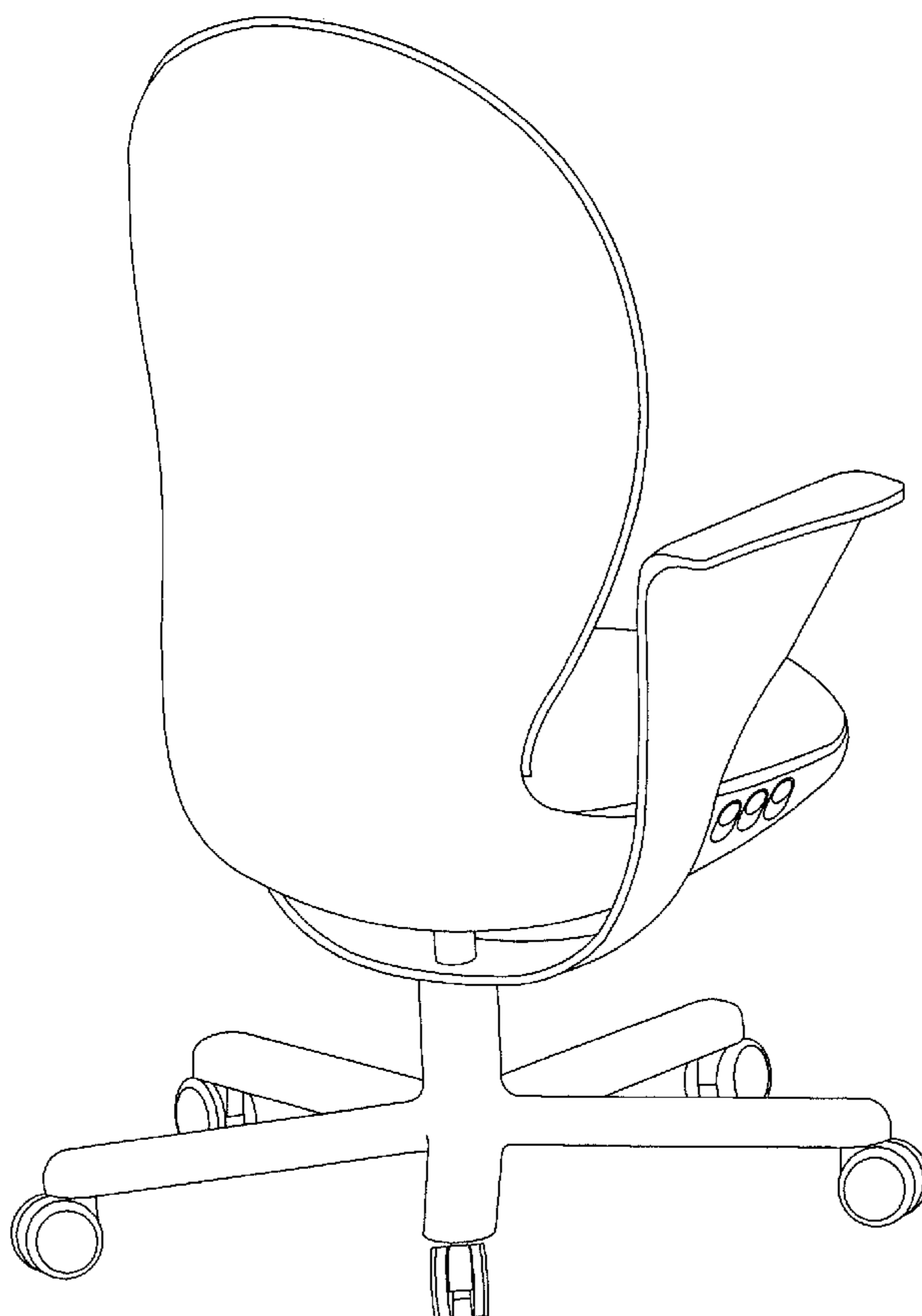
DESCRIPTION

FIG. 1 is a rear perspective view of a chair showing my new design.
 FIG. 2 is a front elevation of the chair shown in FIG. 1.
 FIG. 3 is a rear elevation of the chair shown in FIG. 1.
 FIG. 4 is a top view of the chair shown in FIG. 1
 FIG. 5 is a right side view of the chair shown in FIG. 1; and,
 FIG. 6 is a left side view of the chair shown in FIG. 1.

(56) **References Cited**
U.S. PATENT DOCUMENTS

D195,401 S *	6/1963	Johnson	D6/366
D196,720 S *	10/1963	Johnson	D6/366
D197,643 S *	3/1964	Kramer	D6/366

1 Claim, 6 Drawing Sheets



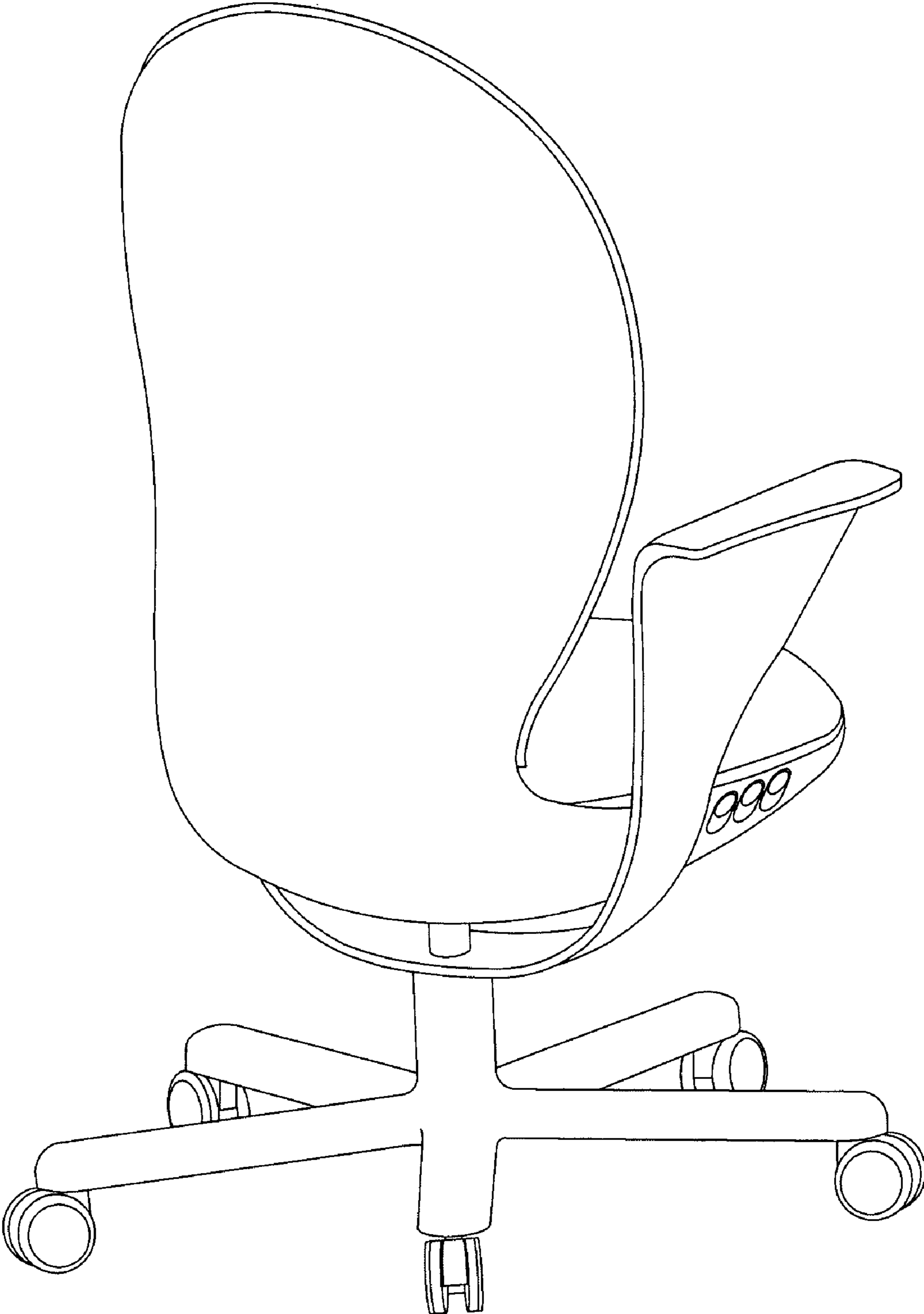


FIG. 1

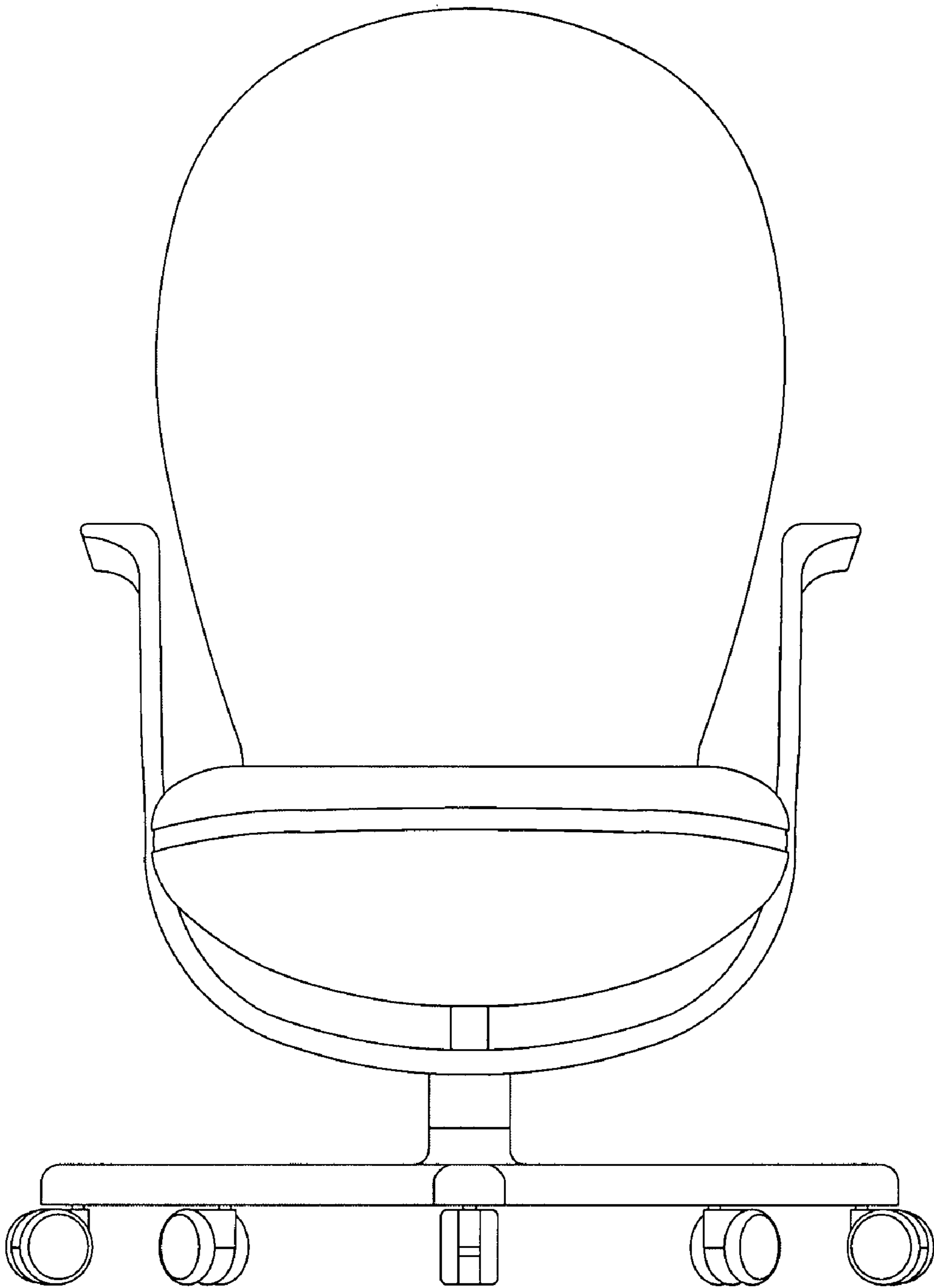


FIG. 2

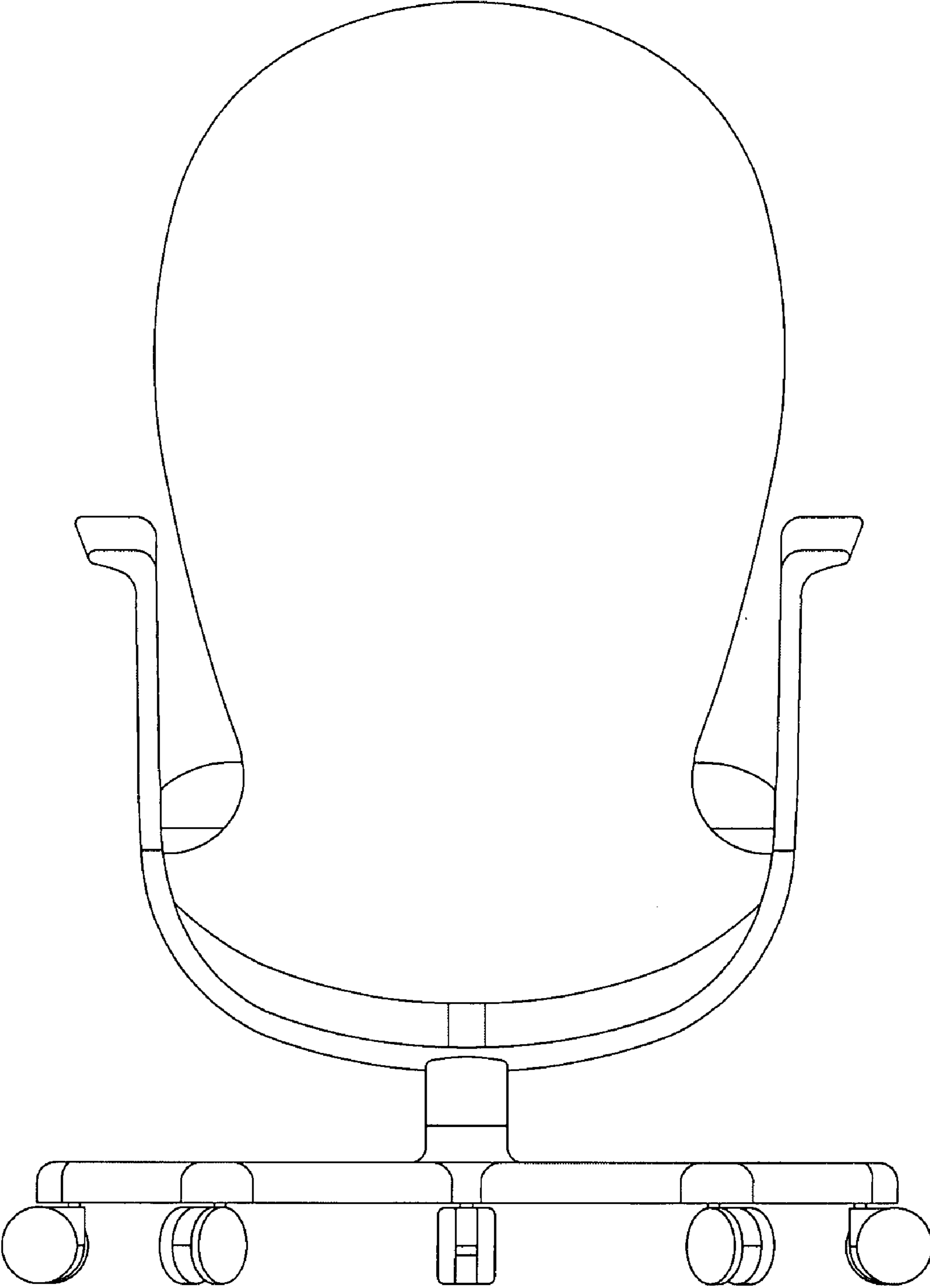


FIG. 3

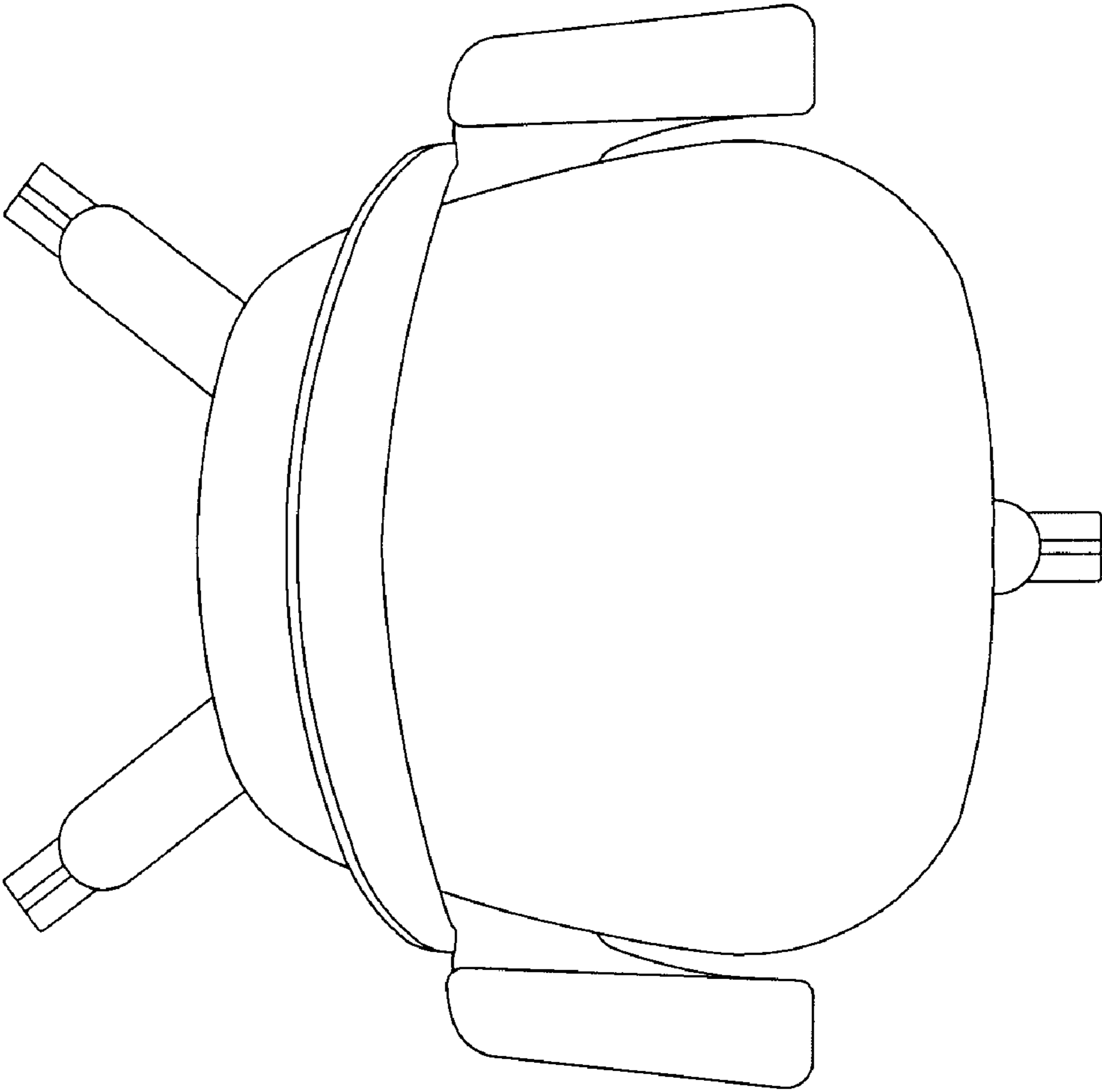


FIG. 4

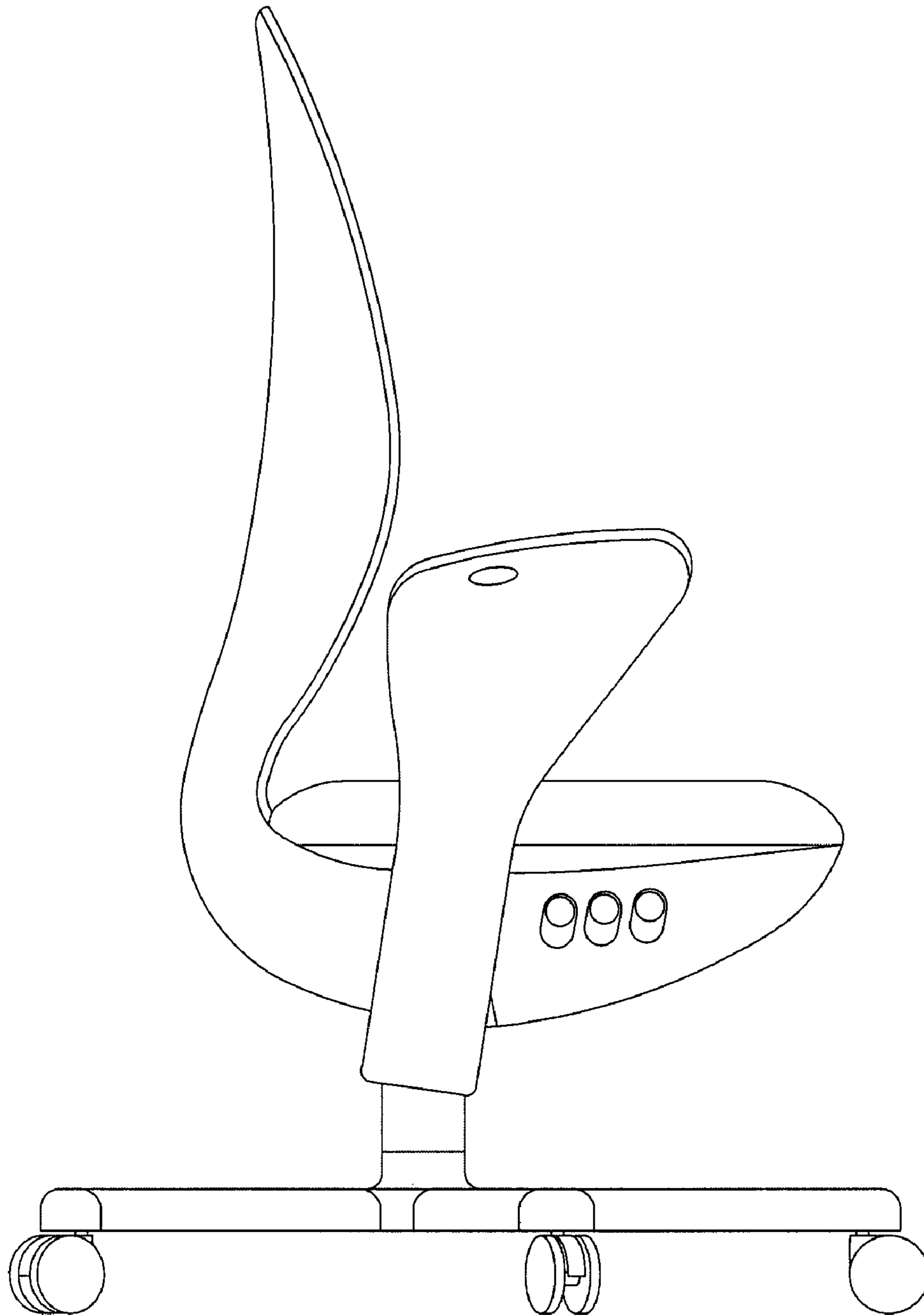


FIG. 5

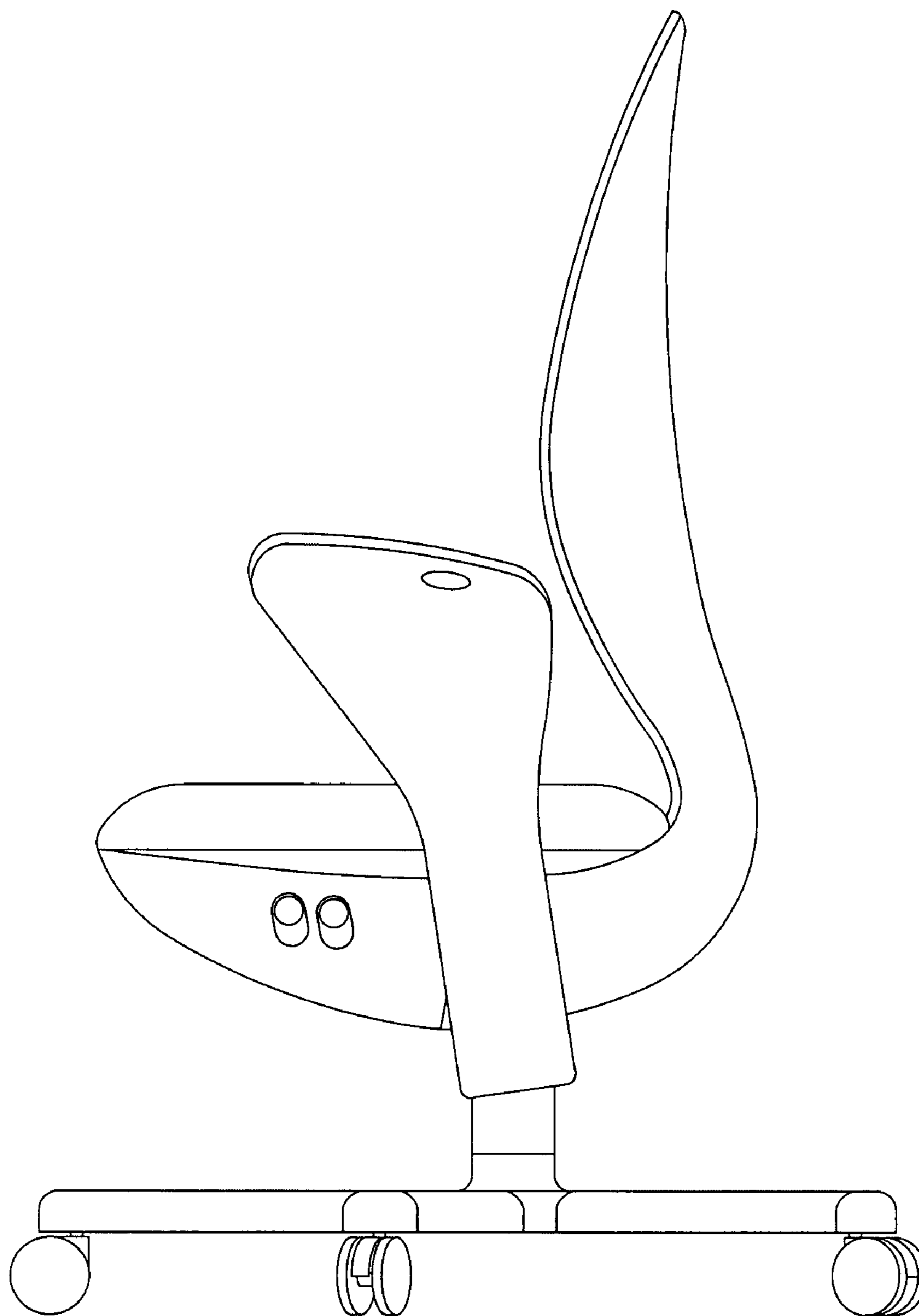


FIG. 6