



US00D560912S

(12) **United States Design Patent** (10) **Patent No.:** **US D560,912 S**
Williams et al. (45) **Date of Patent:** **** Feb. 5, 2008**

(54) **CASE FOR HOLDING DOCUMENTS AND WORKING SUPPLIES**

(75) Inventors: **Matthew Williams**, Deerfield Beach, FL (US); **Terry Kinskey**, Alpharetta, GA (US)

(73) Assignee: **Union Rich USA, LLC**, Alpharetta, GA (US)

(**) Term: **14 Years**

(21) Appl. No.: **29/241,302**

(22) Filed: **Oct. 26, 2005**

(51) **LOC (8) Cl.** **03-01**

(52) **U.S. Cl.** **D3/315**

(58) **Field of Classification Search** D3/201, D3/232, 233, 245, 246, 249, 900, 303, 315, D3/273, 276, 283, 285-289; 150/100, 109, 150/111-113, 900, 901

See application file for complete search history.

(56) **References Cited**

U.S. PATENT DOCUMENTS

837,000	A	11/1906	Sibley	
3,338,629	A	8/1967	Drees	
3,876,247	A	4/1975	Chilewich	
3,951,486	A	4/1976	Tracy	
4,506,769	A *	3/1985	Franco et al.	190/108
D278,190	S *	4/1985	Ganz	D3/285
D280,780	S *	10/1985	Thomas	D3/285
D292,646	S *	11/1987	Pitini et al.	D3/303
4,832,241	A	5/1989	Radcliffe	
4,949,890	A	8/1990	Schultz	
D314,087	S *	1/1991	Macklin	D3/303
5,390,608	A	2/1995	McLaren et al.	
5,505,139	A	4/1996	Storholm et al.	
5,551,616	A	9/1996	Stitt et al.	
5,628,439	A	5/1997	O'Harra	
D380,087	S *	6/1997	Roth	D3/243
D405,265	S *	2/1999	Chapelson	D3/303

D411,346	S *	6/1999	Pracht	D3/233
5,984,347	A	11/1999	Blanc-Rosset	
D419,521	S	1/2000	Leschke et al.	
D481,541	S *	11/2003	Domotor	D3/290
6,688,506	B2	2/2004	Schwartz	
D490,243	S *	5/2004	Domotor	D3/289
D520,747	S *	5/2006	McClain	D3/303

FOREIGN PATENT DOCUMENTS

CA 2183291 2/1997

* cited by examiner

Primary Examiner—Stella M. Reid

Assistant Examiner—Kathleen M. Sims

(74) *Attorney, Agent, or Firm*—Myers & Kaplan, LLC; George P. Bonanto; Joel D. Myers

(57) **CLAIM**

The ornamental design for a case for holding documents and working supplies, as shown and described.

DESCRIPTION

FIG. 1 is a perspective view of the design for a case for holding documents and working supplies.

FIG. 2 is a front view of the design.

FIG. 3 is a left side view of the design.

FIG. 4 is a right side view of the design.

FIG. 5 is a rear view of the design.

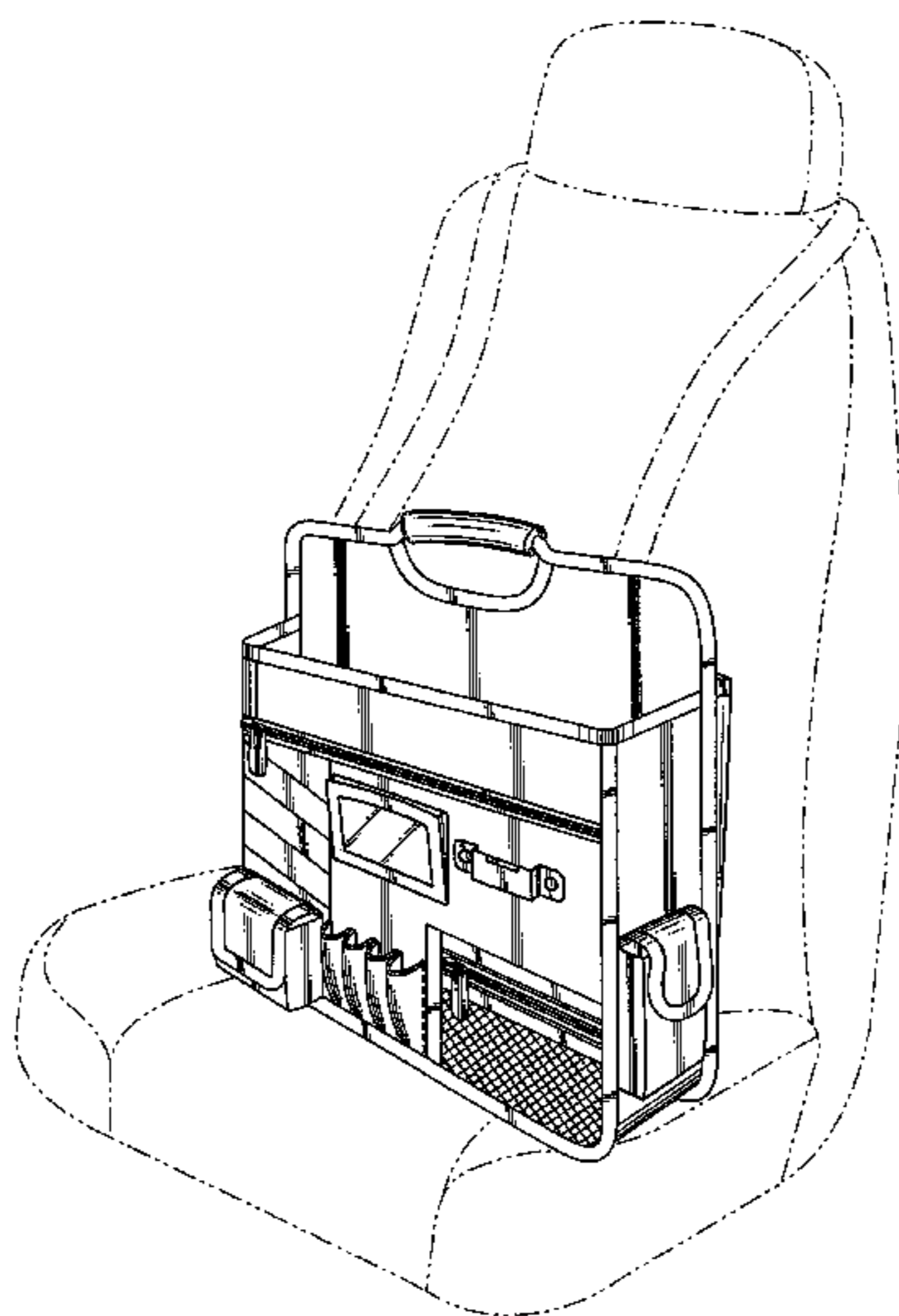
FIG. 6 is a top view of the design; and,

FIG. 7 bottom view of the design.

The broken line showing of an automobile seat and a strap in FIG. 1 is included for the purpose of illustrating portions of the case for holding documents and working supplies and forms no part of the claimed design.

The broken lines separating the compartments in the bottom center front of the case seen in FIG. 2 represent conventional stitching and are a part of the claimed design.

1 Claim, 7 Drawing Sheets



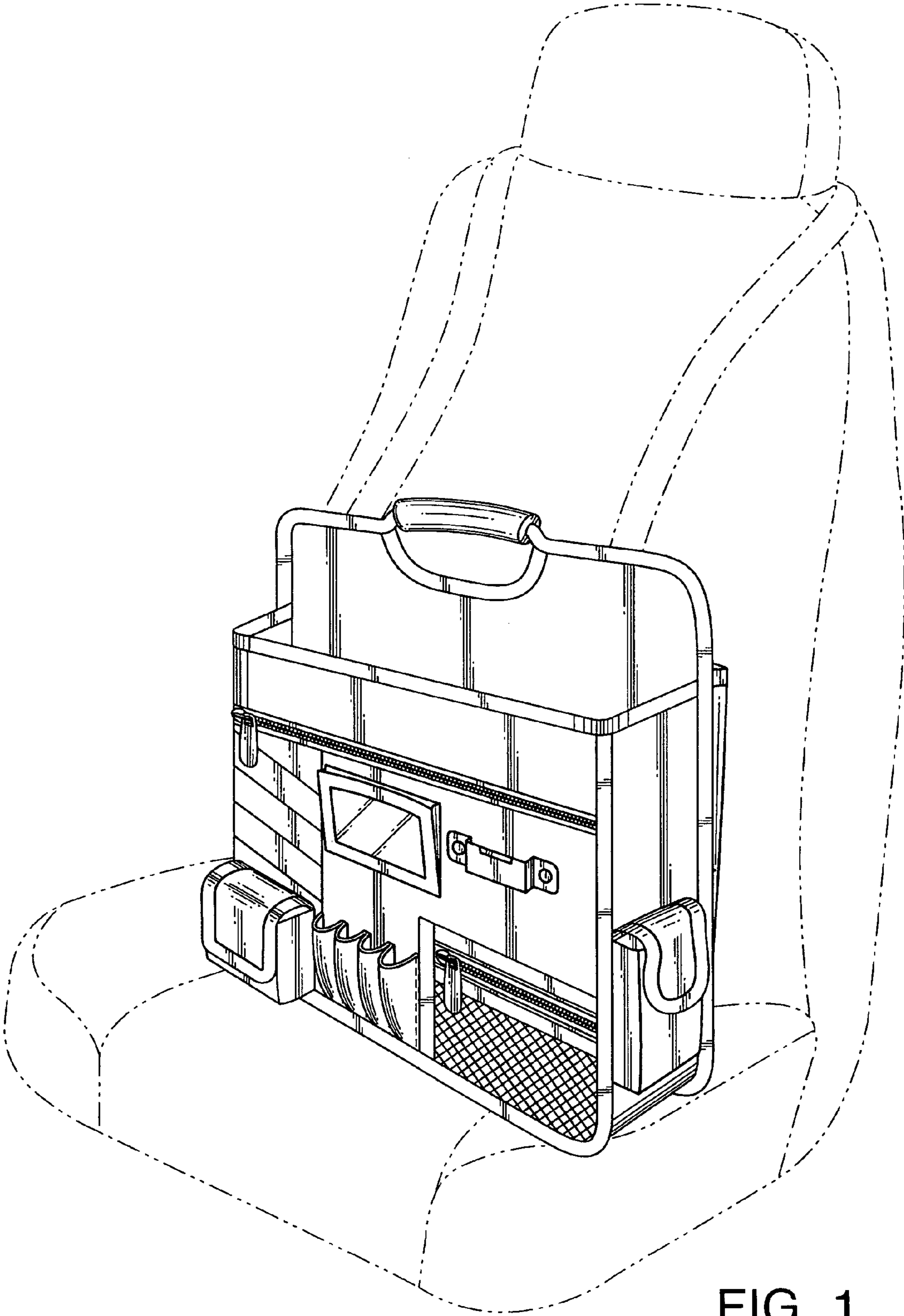
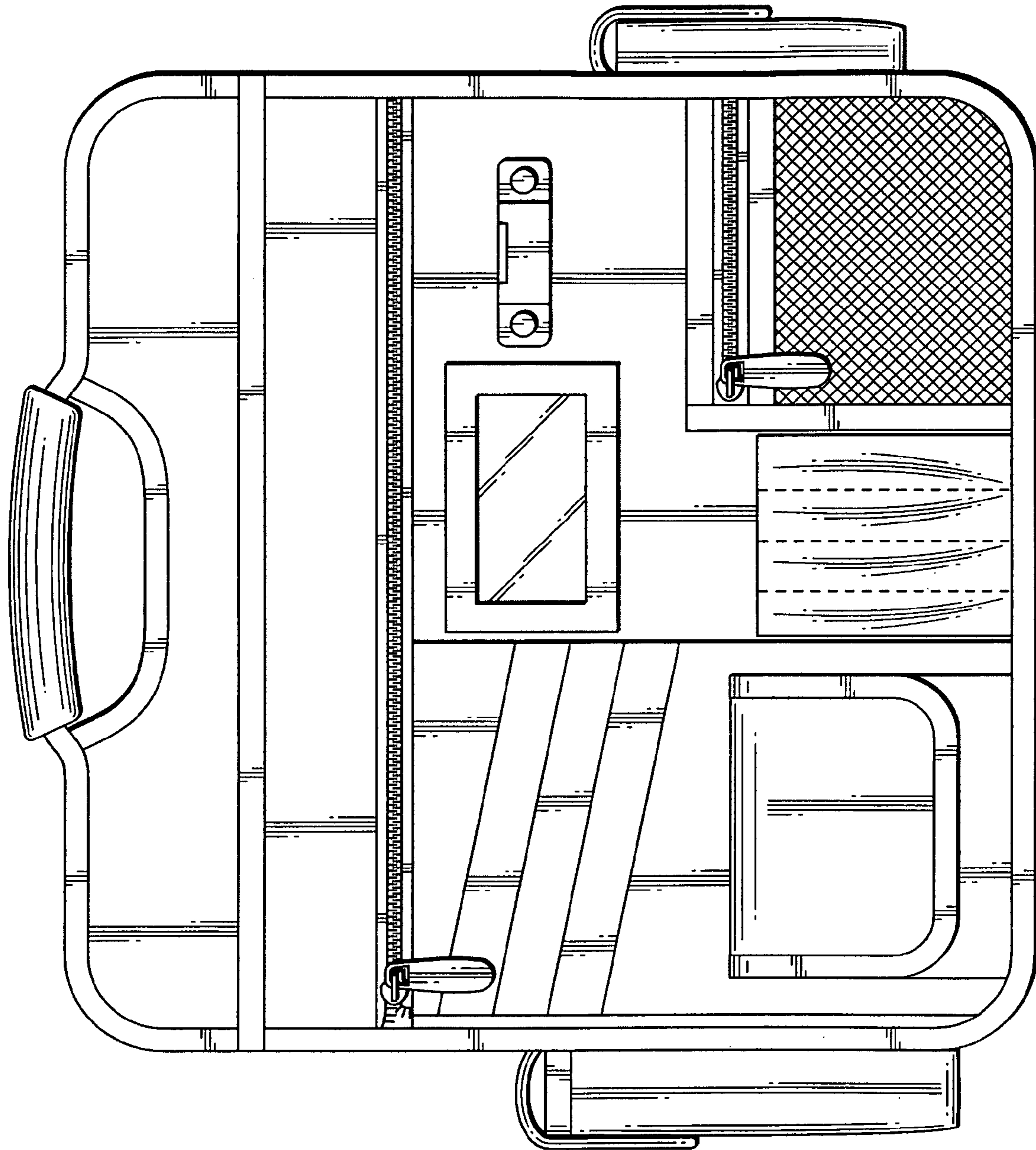


FIG. 1

FIG. 2



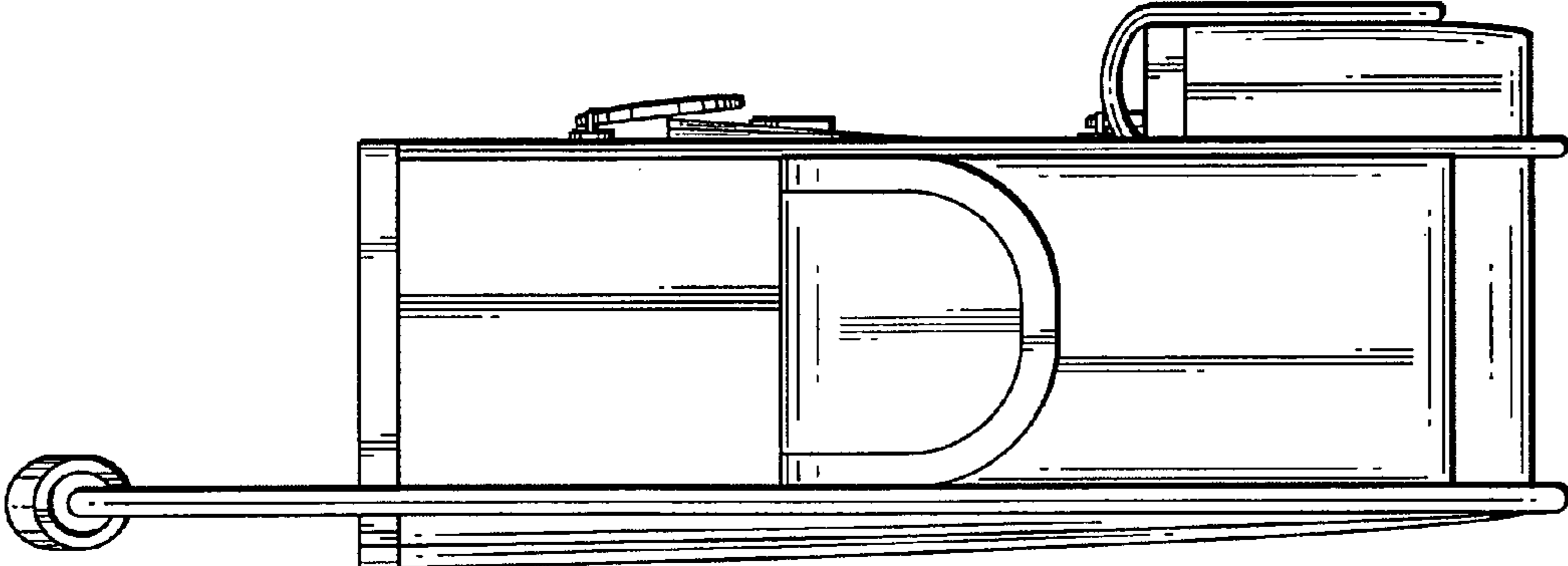


FIG. 3

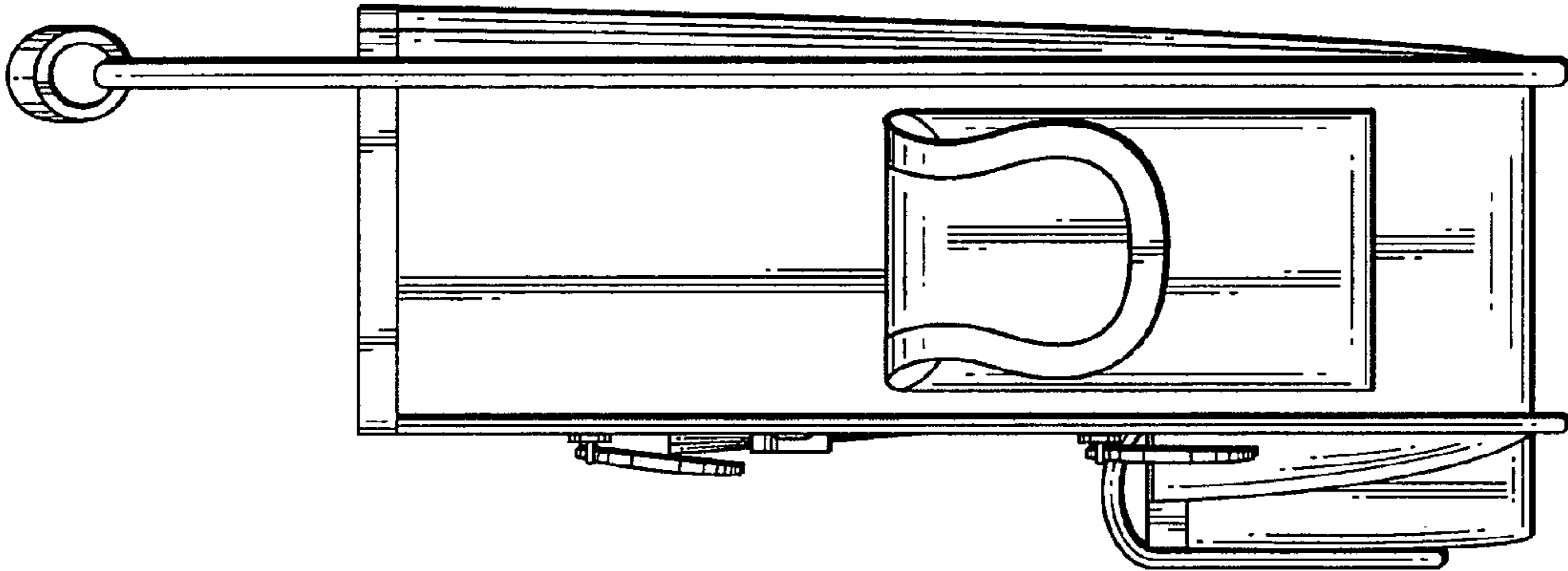


FIG. 4

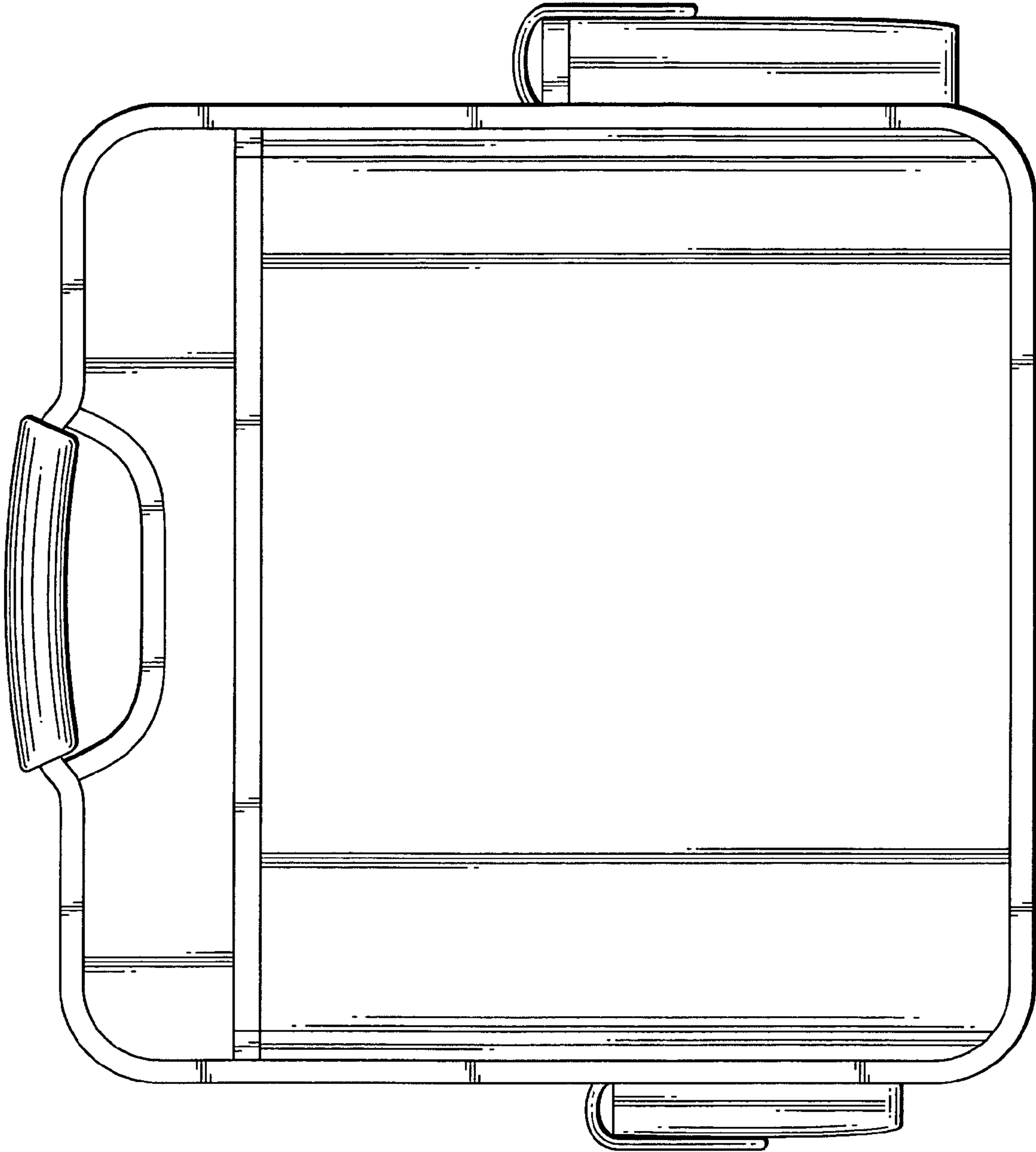


FIG. 5

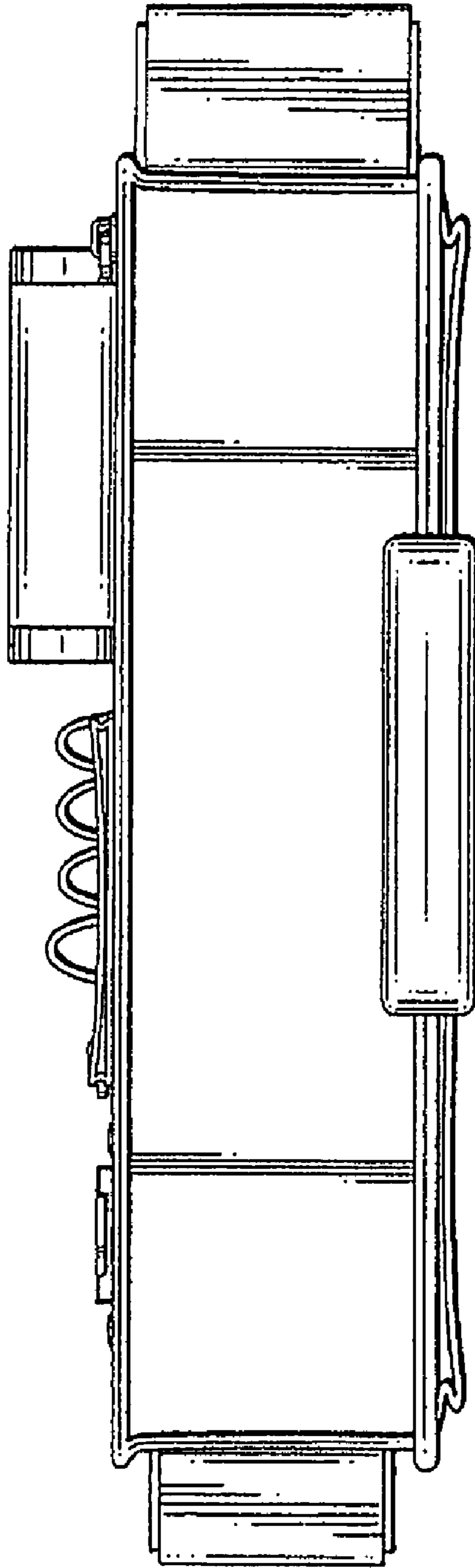


FIG. 6

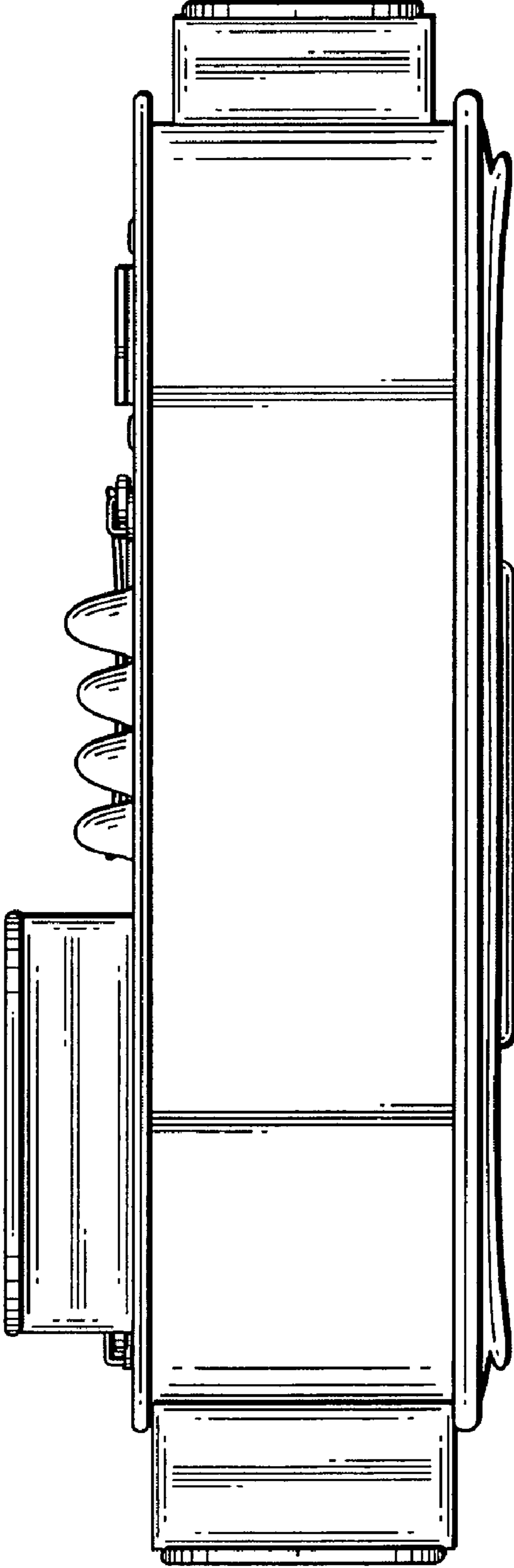


FIG. 7