

US00D560911S

(12) **United States Design Patent**  
**Hackbart et al.**

(10) **Patent No.:** **US D560,911 S**  
(45) **Date of Patent:** **\*\* Feb. 5, 2008**

(54) **CARRYING CASE FOR ELECTRONIC COMMUNICATIONS CARD**

D539,641 S \* 4/2007 Tanner ..... D9/424

**OTHER PUBLICATIONS**

(75) Inventors: **Randy Hackbart**, Burnaby (CA); **Leon Keng**, Burnaby (CA)

Sierra Wireless PC Card Series. Downloaded Jun. 27, 2007 at <http://www.sierrawireless.com/product/pccard.aspx>.\*

(73) Assignee: **Sierra Wireless, Inc.** (CA)

\* cited by examiner

(\*\*) Term: **14 Years**

*Primary Examiner*—Philip S. Hyder  
*Assistant Examiner*—R. L. (Ulm) Cody

(21) Appl. No.: **29/263,644**

(74) *Attorney, Agent, or Firm*—Thelen Reid Brown Raysman & Steiner LLP

(22) Filed: **Jul. 26, 2006**

(57) **CLAIM**

(51) **LOC (8) Cl.** ..... **03-01**

(52) **U.S. Cl.** ..... **D3/273; D3/201**

(58) **Field of Classification Search** ..... D3/201,  
D3/205, 211, 215, 218, 247, 273, 294; D9/414,  
D9/418, 422, 424, 430, 432, 434; D14/356,  
D14/432, 435–436; 206/307

The ornamental design for a carrying case for an electronic communications card, as shown and described.

See application file for complete search history.

**DESCRIPTION**

(56) **References Cited**

**U.S. PATENT DOCUMENTS**

D415,479 S *	10/1999	Yang et al.	.....	D14/436
D425,045 S *	5/2000	Ting	.....	D14/438
D431,035 S *	9/2000	Lehtomaki	.....	D14/242
D448,295 S *	9/2001	Mozes	.....	D9/440
D450,708 S *	11/2001	Hsu	.....	D14/435
D479,646 S *	9/2003	Overton	.....	D3/205
D486,482 S *	2/2004	Huang	.....	D14/242
D498,759 S *	11/2004	Lewis et al.	.....	D14/436
D502,181 S *	2/2005	Hong et al.	.....	D14/436
D535,184 S *	1/2007	Tanner	.....	D9/422
D535,185 S *	1/2007	Tanner	.....	D9/422
D539,481 S *	3/2007	Lui	.....	D28/83

FIG. 1 is a perspective view of a carrying case for electronic communications card in accordance with an embodiment.

FIG. 2 is a back view of the carrying case in accordance with an embodiment.

FIG. 3 is a front view of the carrying case in accordance with an embodiment.

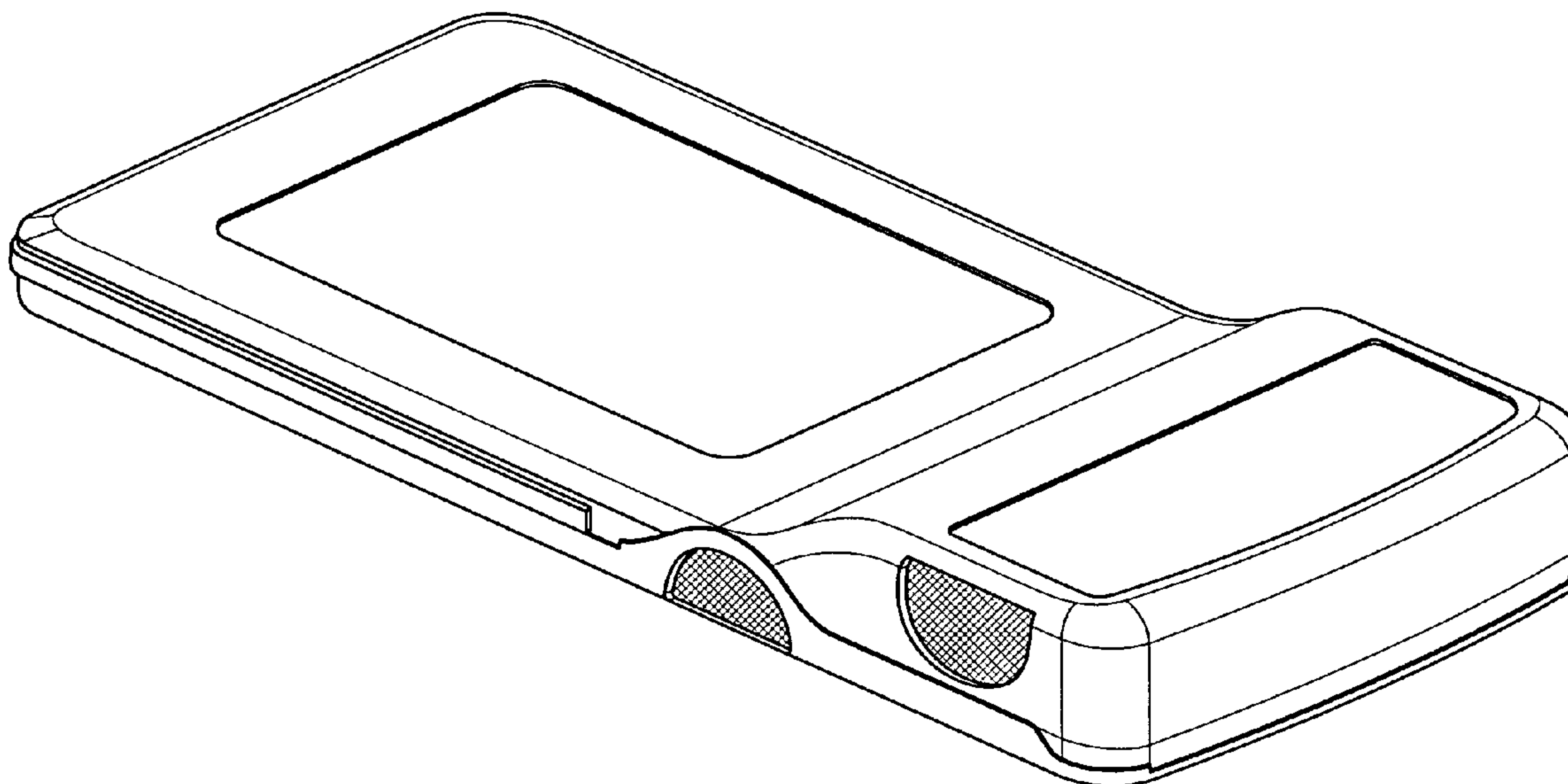
FIG. 4 is a left side view of the carrying case in accordance with an embodiment.

FIG. 5 is a right side view of the carrying case in accordance with an embodiment.

FIG. 6 is a top view of the carrying case in accordance with an embodiment; and,

FIG. 7 is a bottom view of the carrying case in accordance with an embodiment.

**1 Claim, 5 Drawing Sheets**



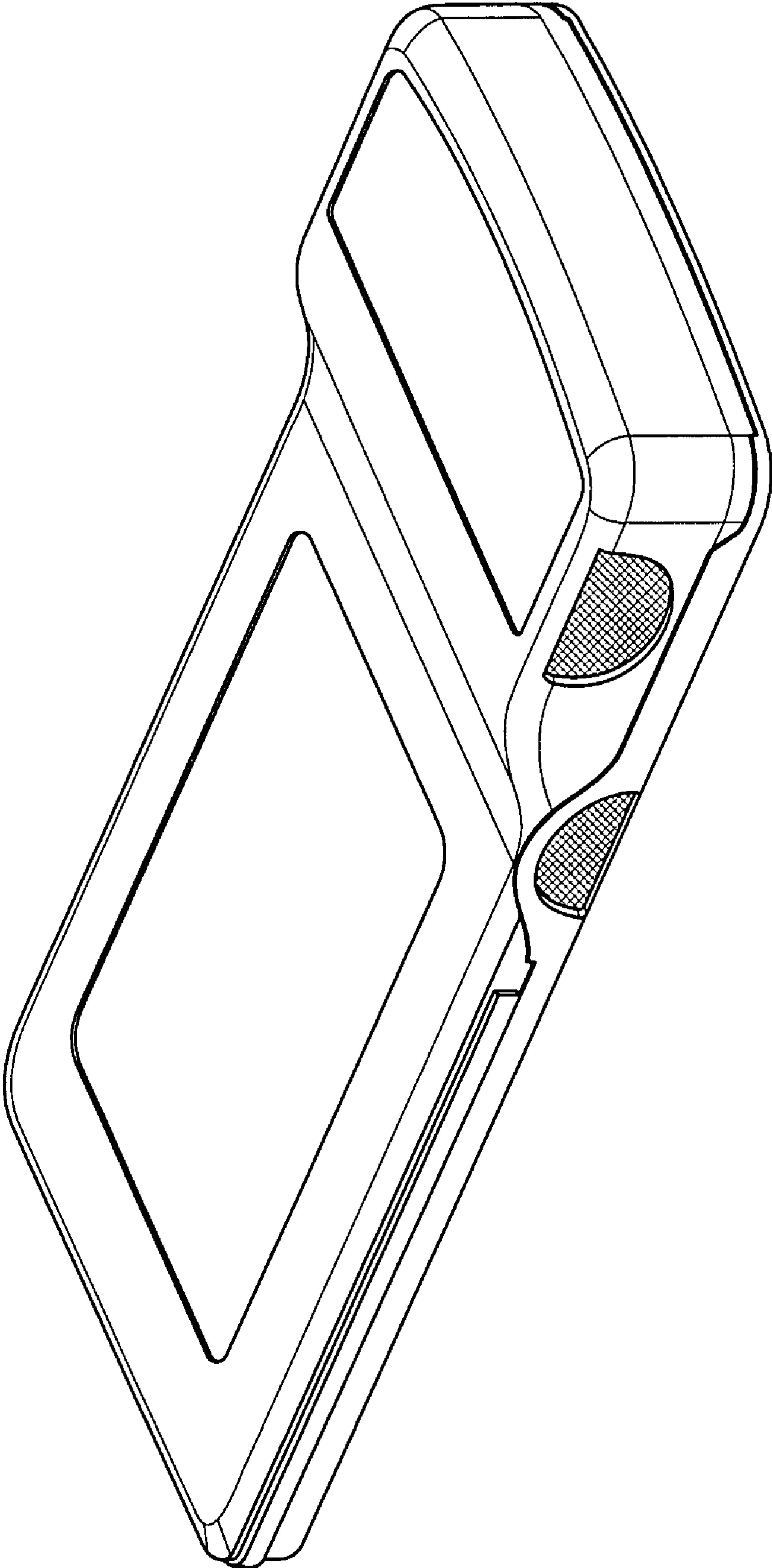


FIG. 1

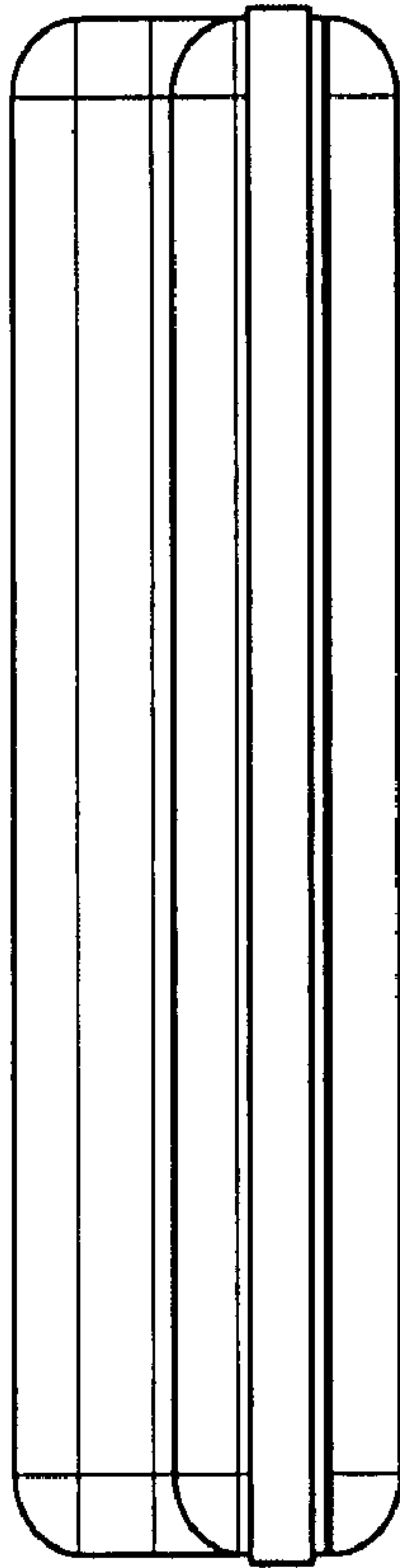


FIG. 3

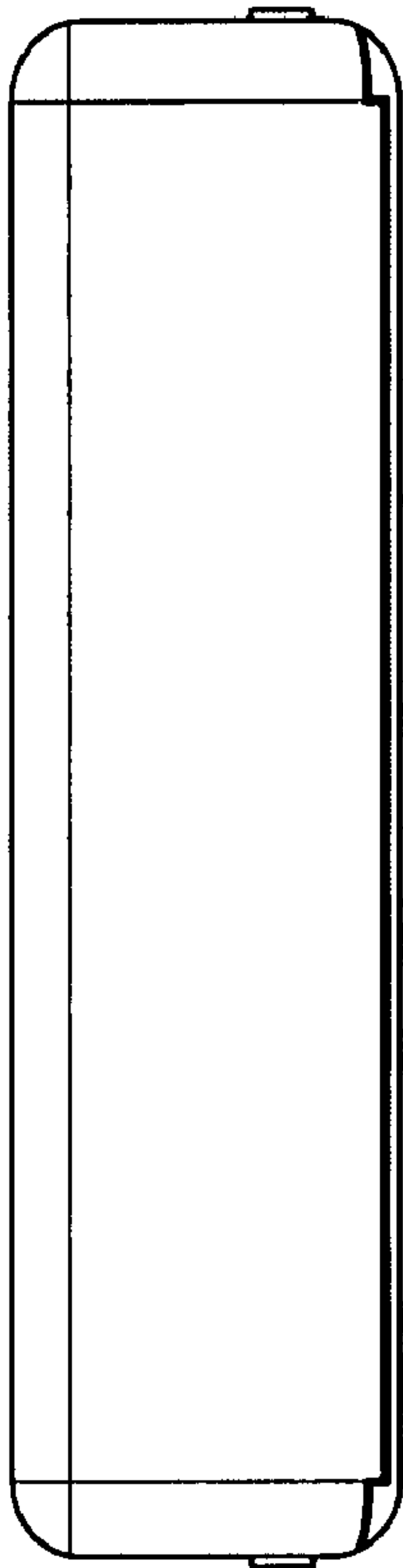


FIG. 2

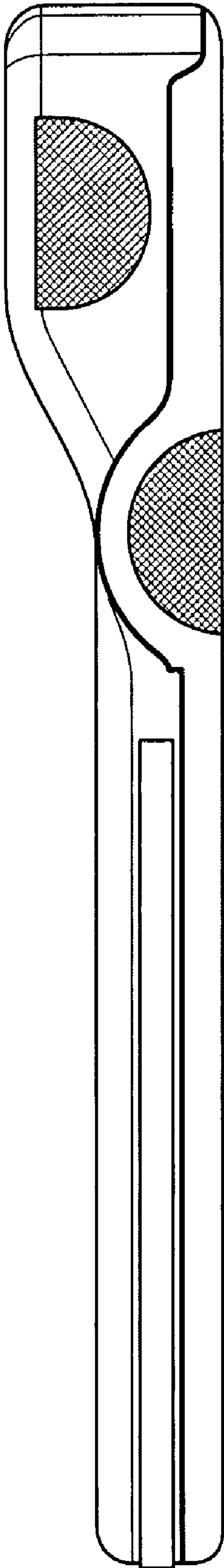


FIG. 4

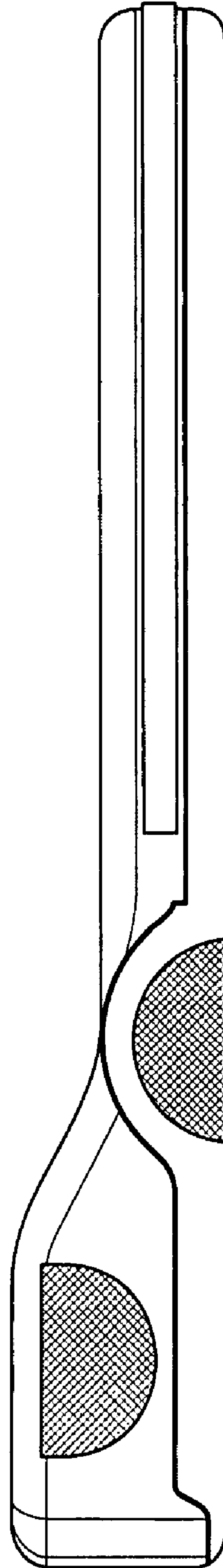


FIG. 5

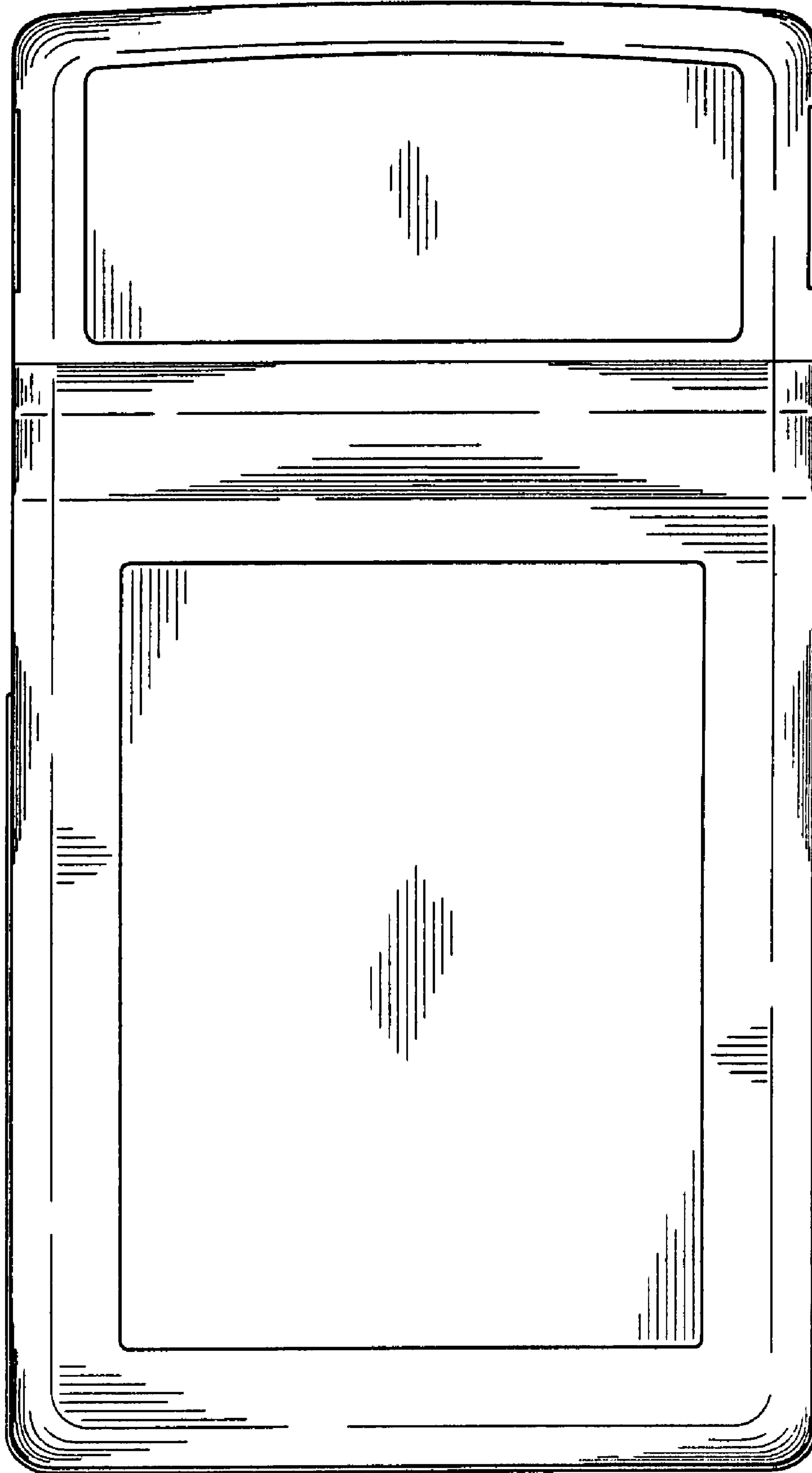


FIG. 6

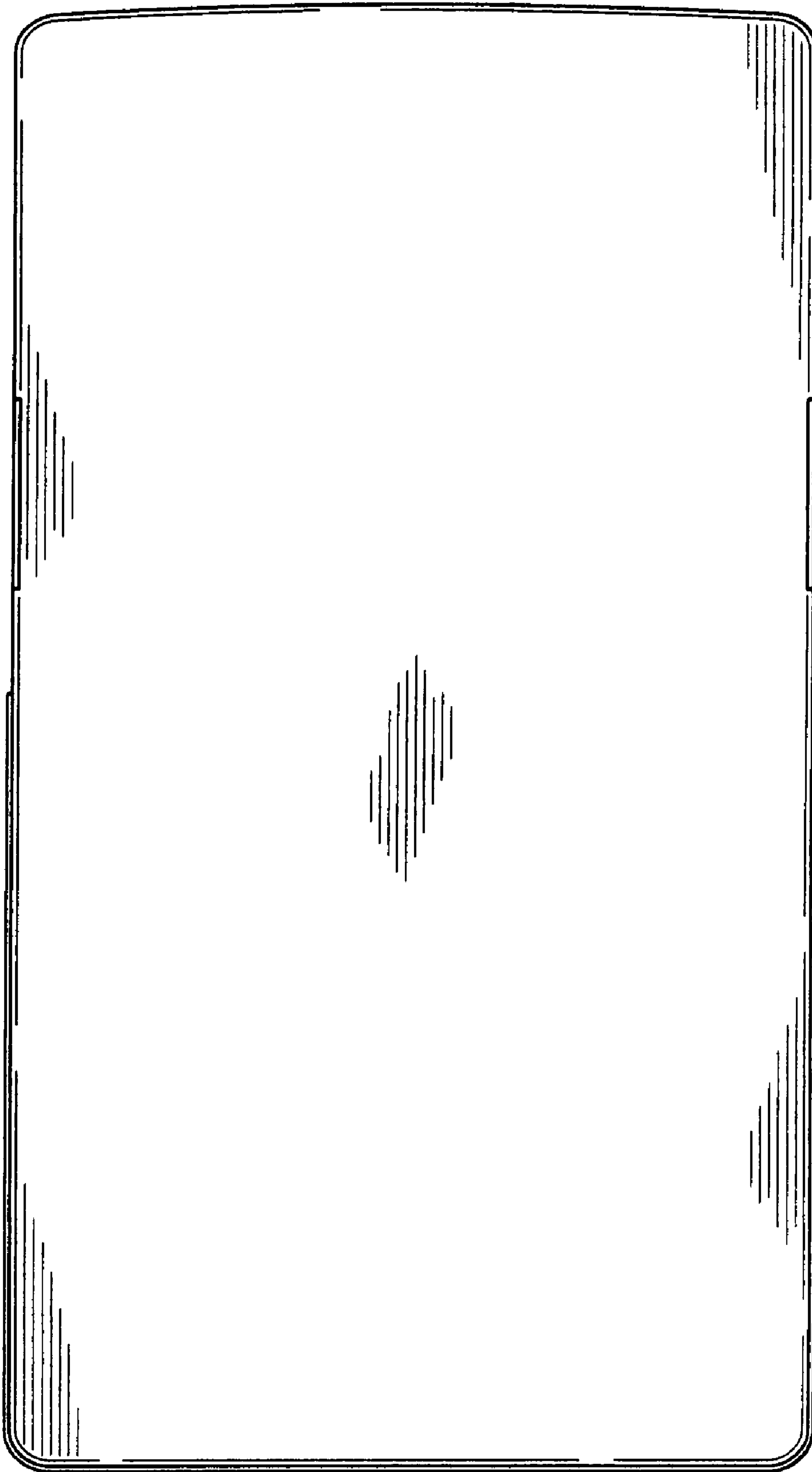


FIG. 7