

US00D560882S

(12) **United States Design Patent**  
**Tvoua et al.**

(10) **Patent No.:** **US D560,882 S**  
(45) **Date of Patent:** **\*\* Feb. 5, 2008**

(54) **SANDAL**

(75) Inventors: **Ofer Tvoua**, Rishon Lezion (IL); **Amir Tvoua**, Rishon Lezion (IL); **Ofer Canfi**, Lehavim (IL)

(73) Assignee: **Peerfect Fit LLC**, New York, NY (US)

(\*\*) Term: **14 Years**

(21) Appl. No.: **29/271,550**

(22) Filed: **Jan. 22, 2007**

D332,515 S *	1/1993	Middleton	.....	D2/917
5,265,349 A	11/1993	Munschy		
5,682,687 A	11/1997	Arai		
5,966,840 A	10/1999	Bell et al.		
D419,283 S *	1/2000	Coito	.....	D2/917
6,138,385 A	10/2000	Jungkind et al.		
6,237,255 B1	5/2001	Renaudin et al.		
6,438,872 B1	8/2002	Chil et al.		
6,574,888 B2	6/2003	Miller et al.		
6,701,643 B2	3/2004	Geer et al.		
6,742,286 B2	6/2004	Giovale		
D528,746 S *	9/2006	Belley et al.	.....	D2/916
2002/0178617 A1	12/2002	Chil et al.		
2003/0106244 A1	6/2003	Miller et al.		
2003/0192204 A1	10/2003	Miller et al.		

**Related U.S. Application Data**

(63) Continuation of application No. 10/561,429, filed as application No. PCT/IL05/001117 on Oct. 26, 2005.

**Foreign Application Priority Data**

Oct. 27, 2004 (IL) ..... 164.853

(51) **LOC (8) Cl.** ..... **02-04**

(52) **U.S. Cl.** ..... **D2/917**

(58) **Field of Classification Search** ..... D2/917,  
D2/900, 903, 916-918, 943, 959, 969, 972;  
36/11.5, 45, 8.1, 77 R

See application file for complete search history.

**References Cited**

**U.S. PATENT DOCUMENTS**

2,947,095 A *	8/1960	Miyachi	.....	36/11.5
D189,522 S *	1/1961	Miyachi	.....	D2/917
3,436,842 A	4/1969	Sachs		
3,698,107 A *	10/1972	Fukuoka	.....	36/11.5
4,727,662 A	3/1988	Ilon		

\* cited by examiner

*Primary Examiner*—Stella M. Reid

*Assistant Examiner*—Rashida C. McCoy

(74) *Attorney, Agent, or Firm*—Hedman & Costigan, P.C.

**CLAIM**

The ornamental design for sandal, as shown and described.

**DESCRIPTION**

FIG. 1 is a perspective view of a sandal, showing our new design;

FIG. 2 is a front elevation view thereof;

FIG. 3 is a rear elevation view thereof;

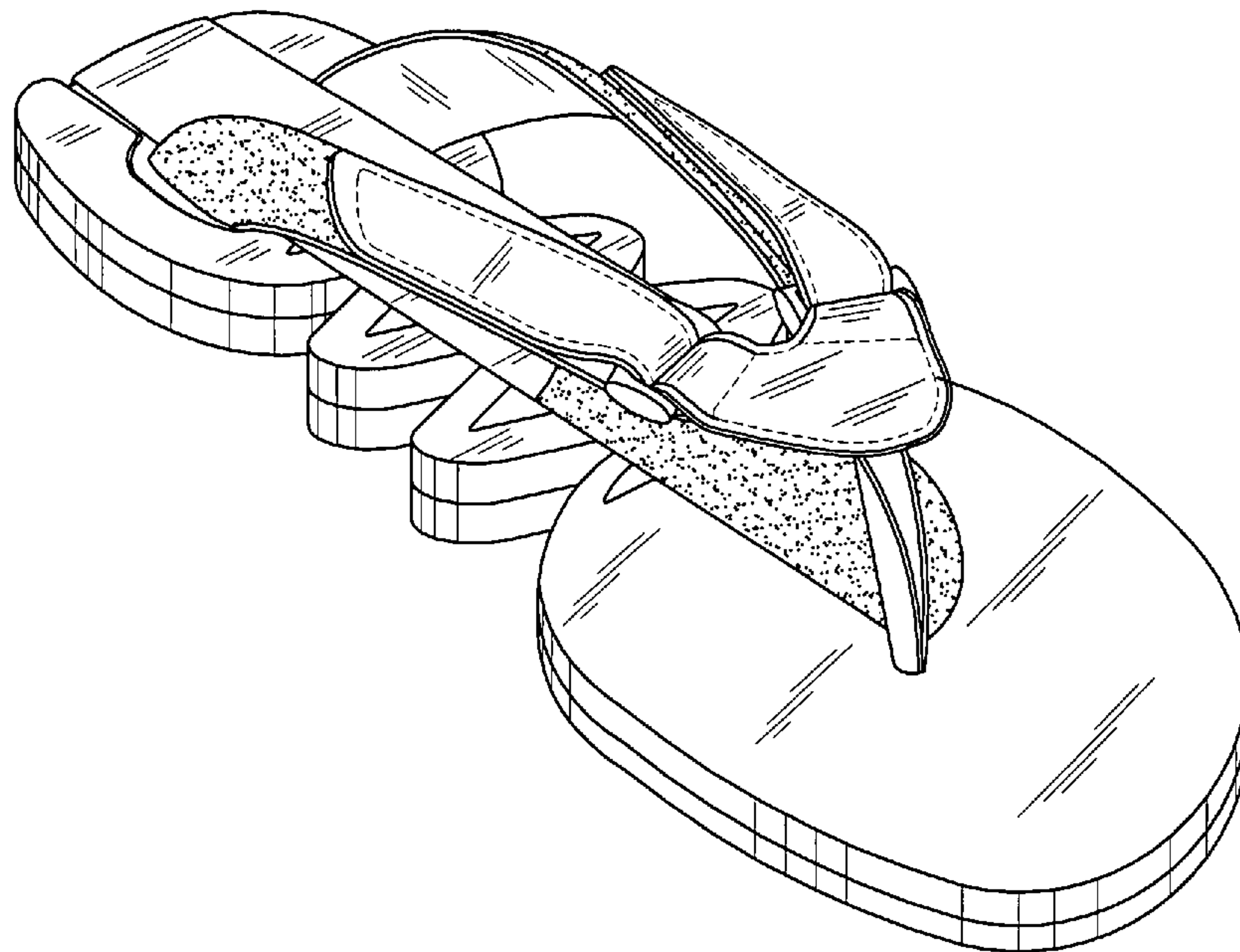
FIG. 4 is right side elevation view thereof;

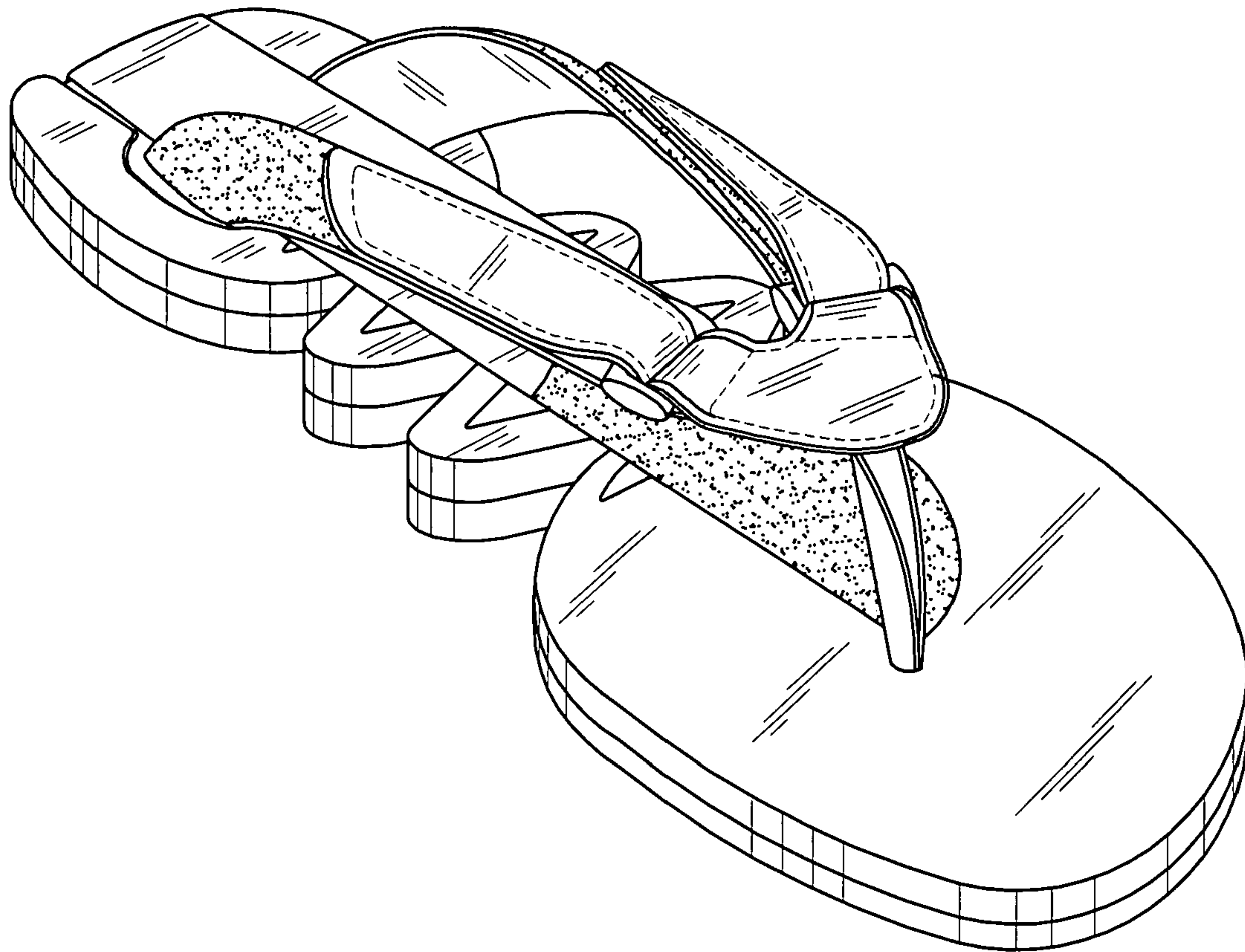
FIG. 5 is a left side elevation thereof;

FIG. 6 is a top plan view thereof; and,

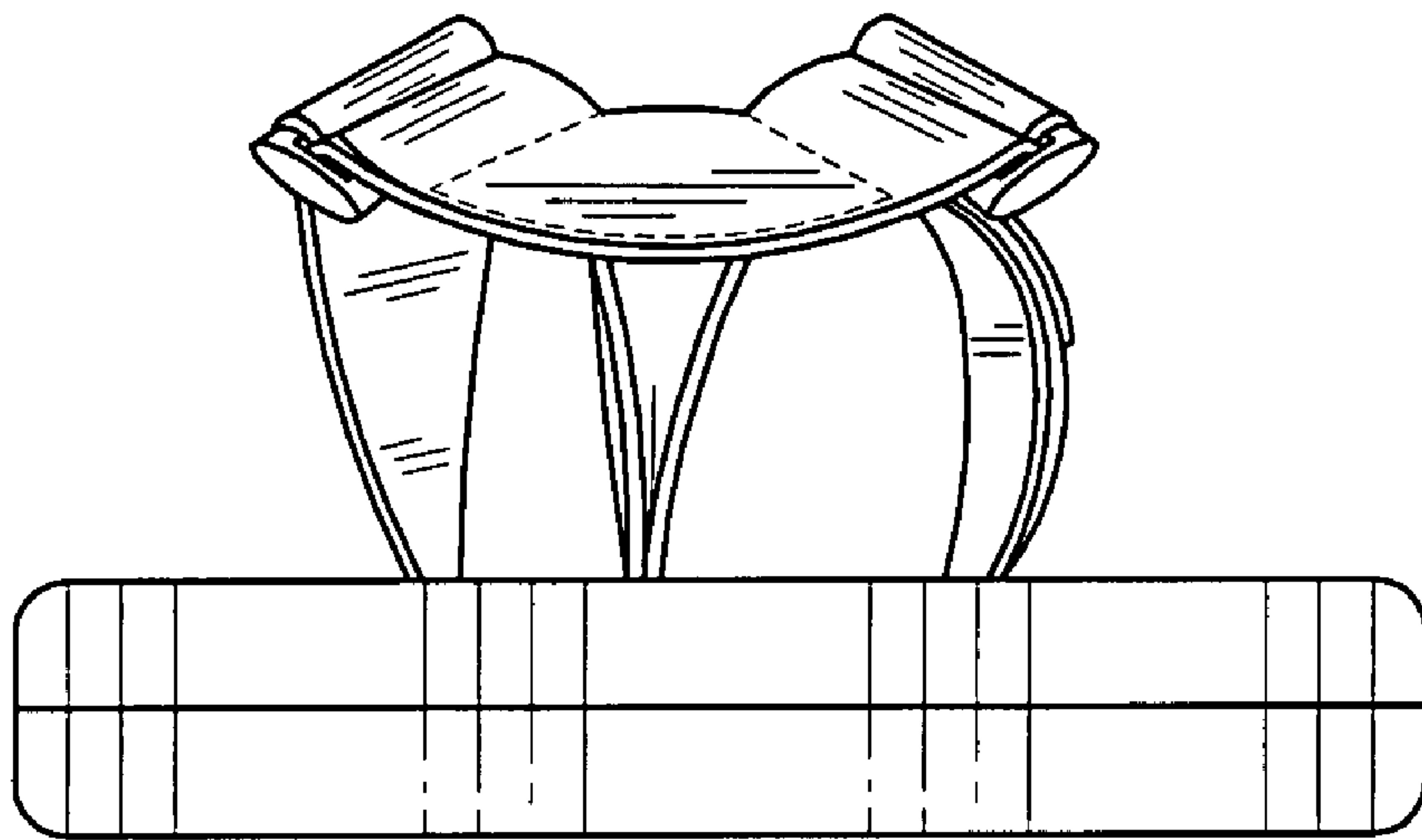
FIG. 7 is a bottom plan view thereof.

**1 Claim, 7 Drawing Sheets**

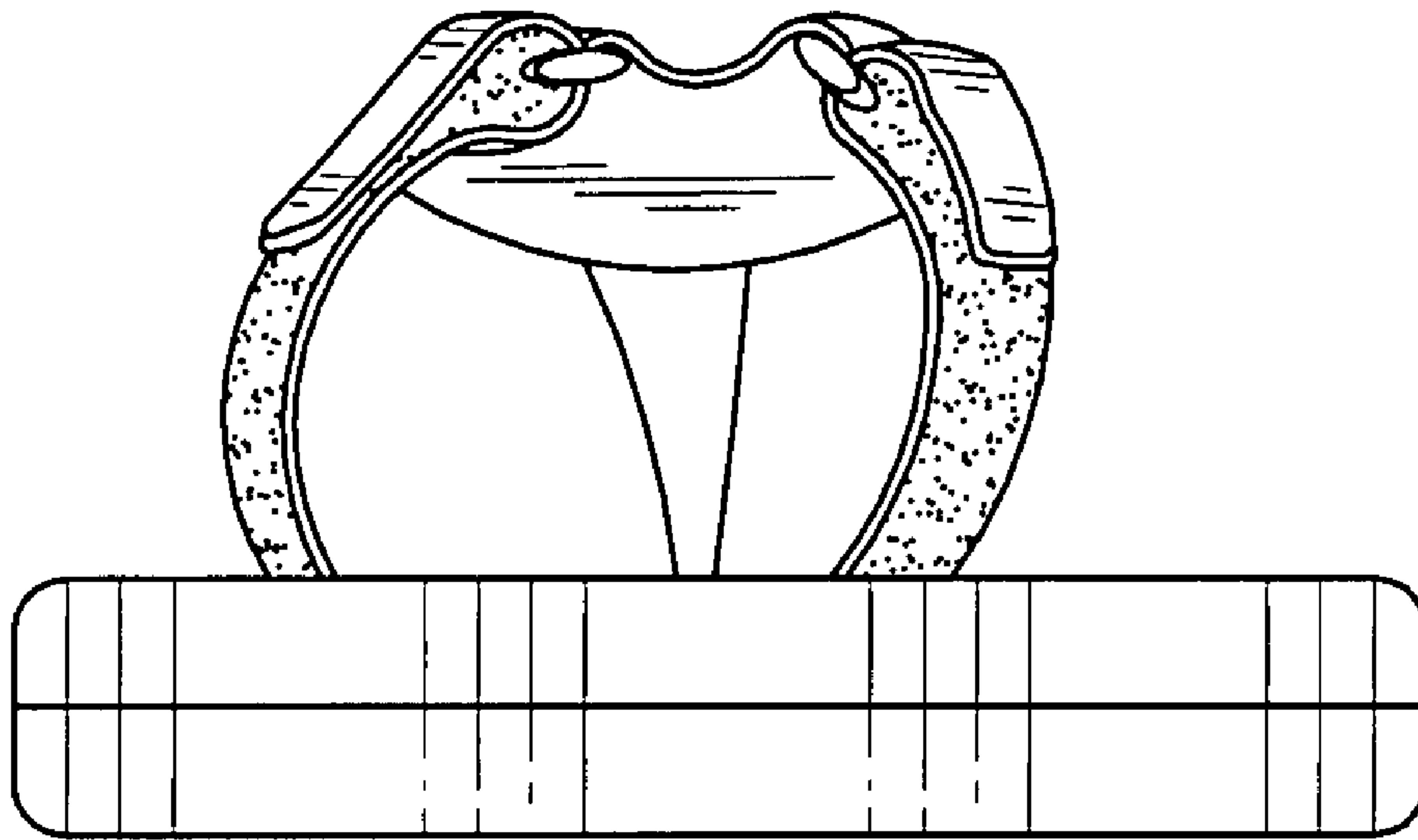




*FIG. 1*



*FIG. 2*



*FIG. 3*

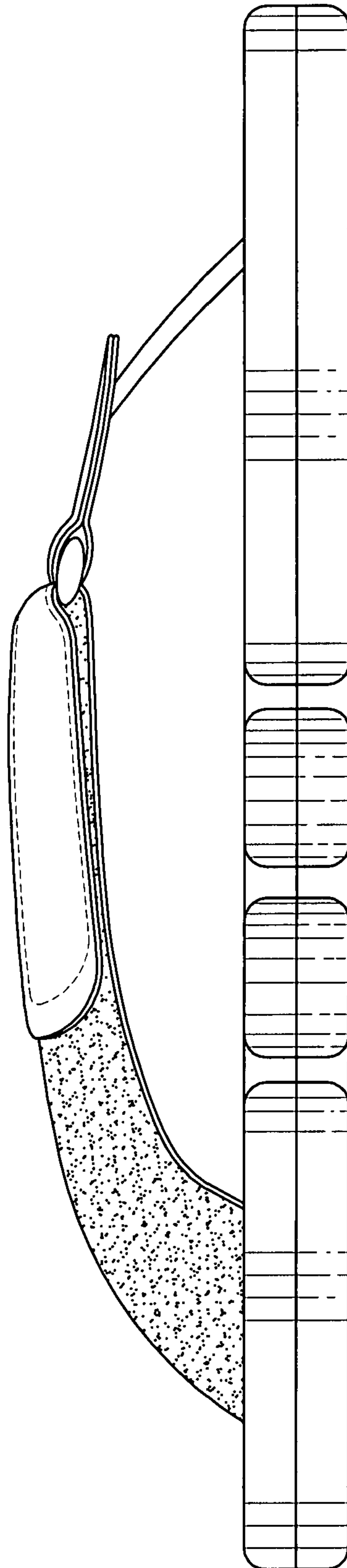


FIG. 4

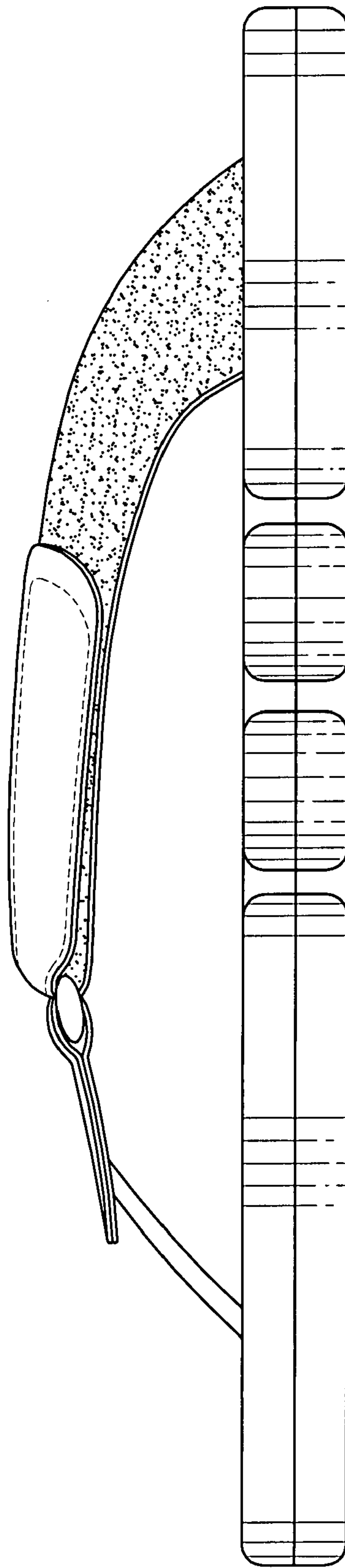


FIG. 5



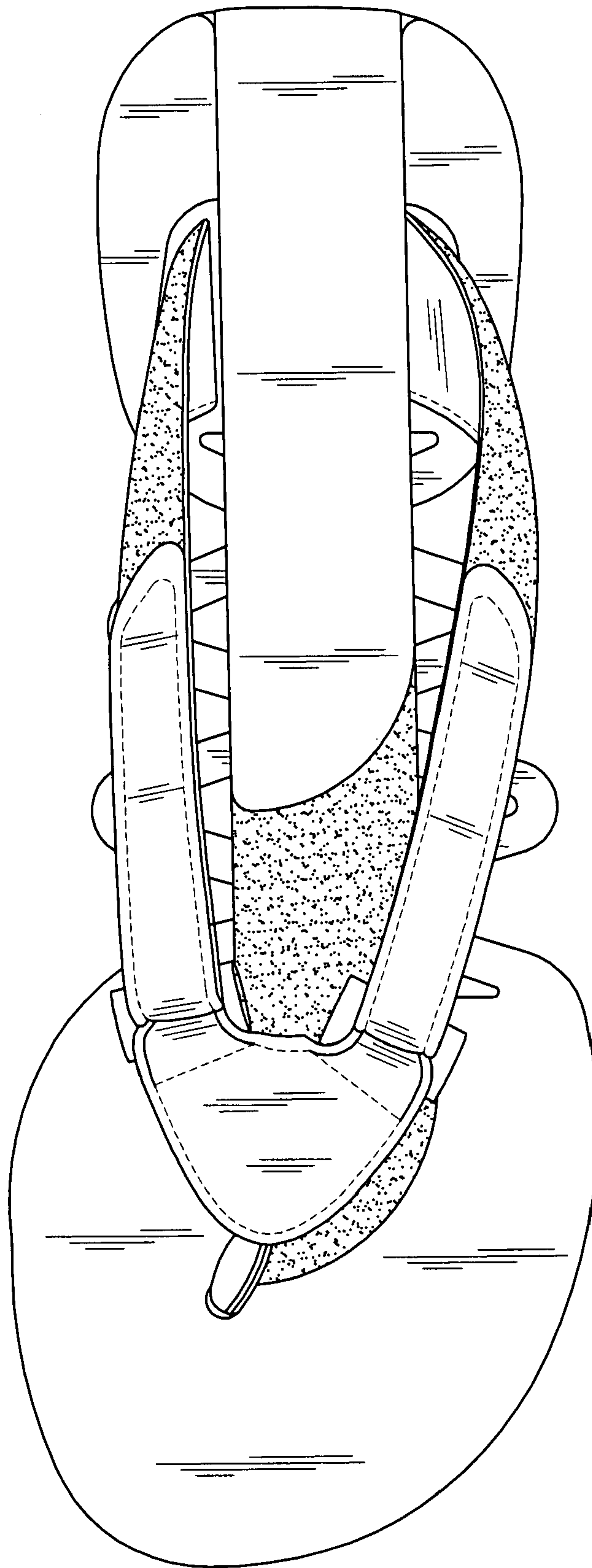


FIG. 6

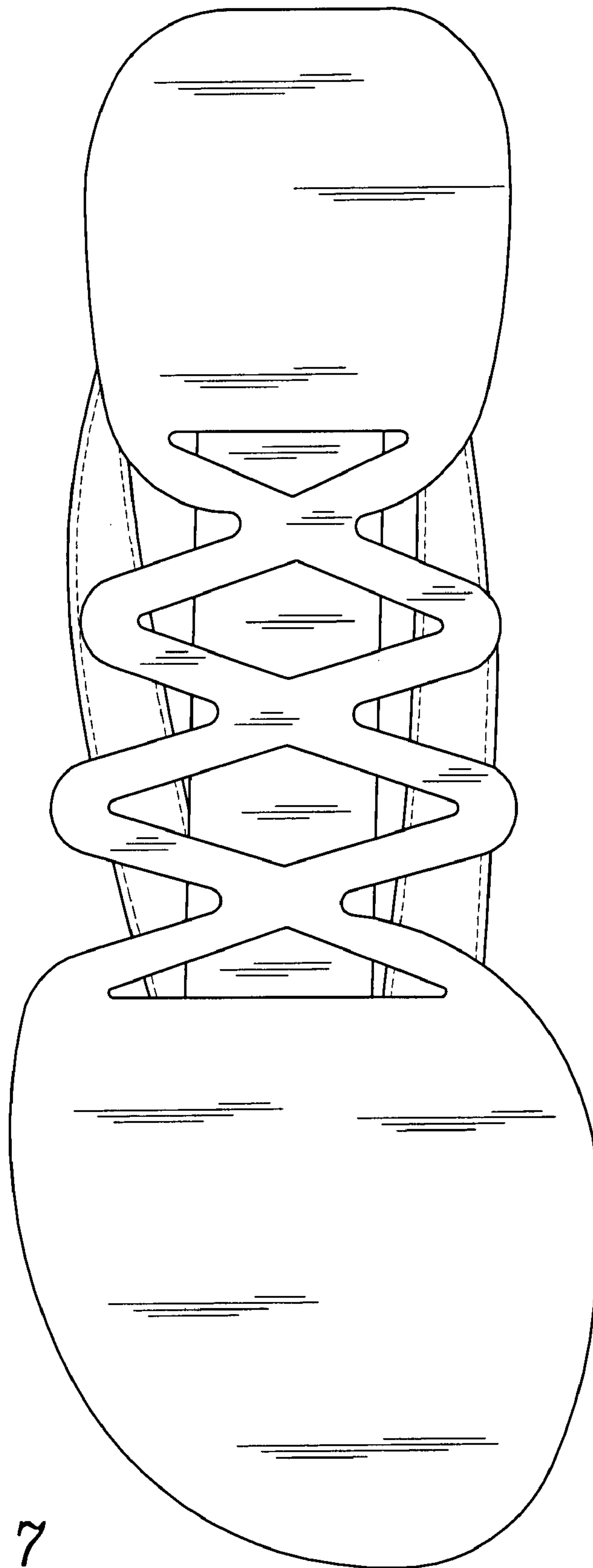


FIG. 7