



US00D560875S

(12) **United States Design Patent**
Decarlo et al.

(10) **Patent No.:** **US D560,875 S**
(45) **Date of Patent:** **** Jan. 29, 2008**

(54) **CLOSET STORAGE DEVICE**

D496,791 S 10/2004 Perella
D497,252 S 10/2004 Perella
6,808,064 B1 10/2004 Fanning

(75) Inventors: **Anthony J. Decarlo**, Kirtland, OH
(US); **Daniel V. Perella**, Hudson, OH
(US); **Vincent J. Thomson**, Avon Lake,
OH (US)

(Continued)

(73) Assignee: **Ideastream Consumer Products, LLC**,
Parma, OH (US)

Primary Examiner—Stella M. Reid
Assistant Examiner—Susan E Krakower
(74) *Attorney, Agent, or Firm*—Pillsbury Winthrop Shaw
Pittman LLP

(**) Term: **14 Years**

(57) **CLAIM**

(21) Appl. No.: **29/278,835**

The ornamental design for a closet storage device, as shown
and described.

(22) Filed: **Apr. 11, 2007**

(51) **LOC (8) Cl.** **06-04**

(52) **U.S. Cl.** **D99/28; D3/273**

(58) **Field of Classification Search** D99/25–43,
D99/99; D3/258, 267, 269, 272, 273, 276,
D3/277, 294, 297, 321; D6/446, 448, 627;
D19/86

See application file for complete search history.

DESCRIPTION

A portion of the disclosure of this patent document contains
material to which a claim for copyright is made. The
copyright owner has no objection to the facsimile reproduc-
tion of the patent document or the patent disclosure, as it
appears in the Patent and Trademark Office patent file or
records, but reserves all other copyrights whatsoever.

FIG. 1 is a perspective view of a closet storage device
showing our new design;

FIG. 2 is a front elevational view of the closet storage device
of FIG. 1;

FIG. 3 is a rear elevational view of the closet storage device
of FIG. 1;

FIG. 4 is a right side elevational view of the closet storage
device of FIG. 1;

FIG. 5 is a left side elevational view of the closet storage
device of FIG. 1;

FIG. 6 is a top plan view of the closet storage device of FIG.
1; and,

FIG. 7 is a bottom plan view of the closet storage device of
FIG. 1.

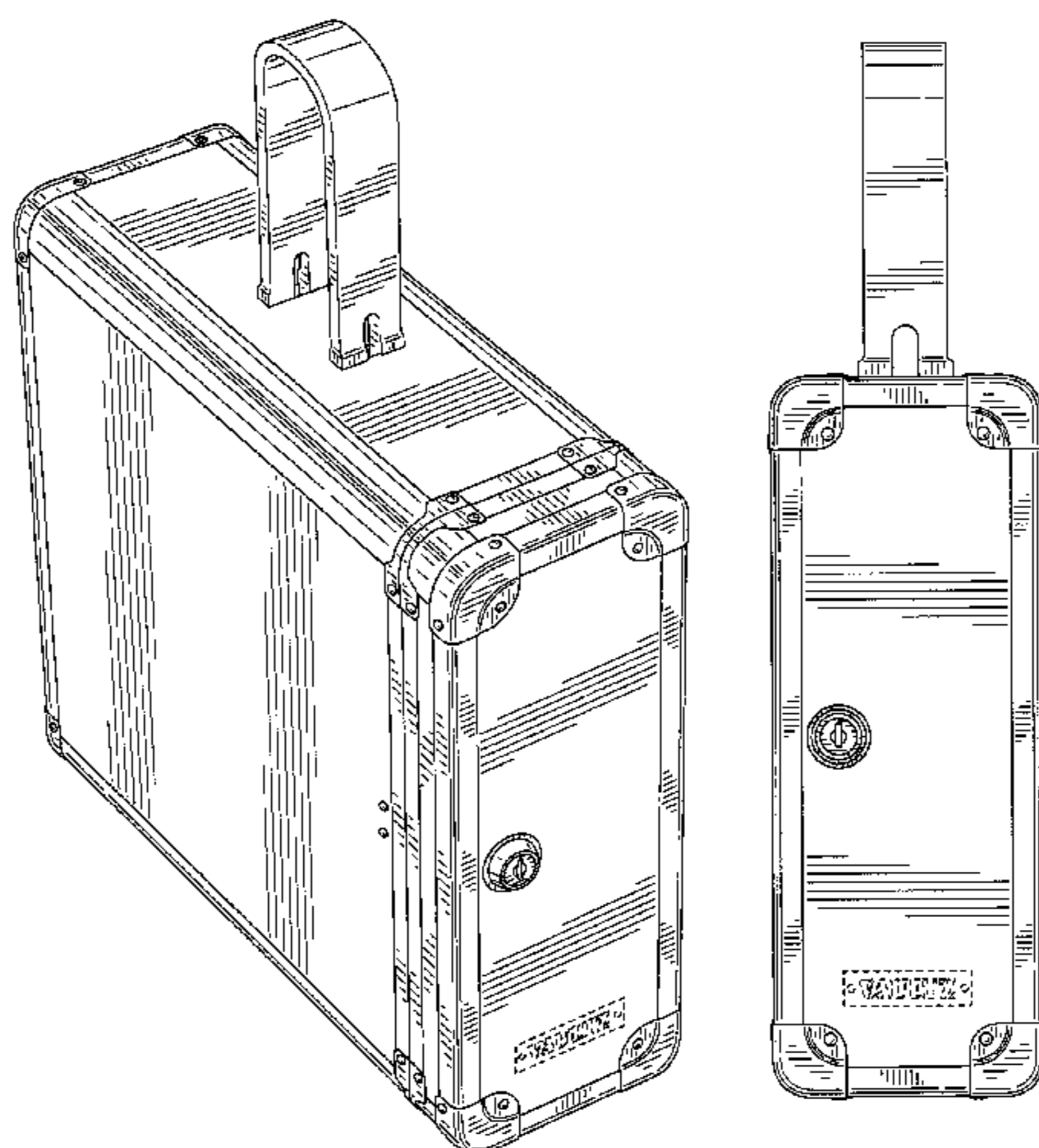
The subject matter shown in broken lines forms no part of
the claimed design.

(56) **References Cited**

U.S. PATENT DOCUMENTS

866,459	A *	9/1907	Gray	190/111
D82,596	S *	11/1930	Apter	D3/272
D82,782	S *	12/1930	Apter	D3/272
1,955,809	A	4/1934	Hobbs	
3,084,532	A	4/1963	Williams	
3,134,484	A	5/1964	Cox	
3,858,531	A	1/1975	Rubinstein	
4,265,380	A	5/1981	Webster	
4,314,733	A	2/1982	Smith	
4,720,987	A	1/1988	Moss	
4,854,656	A	8/1989	O'Keefe	
6,085,671	A	7/2000	Kerr	
6,161,686	A	12/2000	Simon	
D488,321	S	4/2004	Perella	
D490,206	S	5/2004	Perella	
D493,303	S	7/2004	Perella	
D493,936	S *	8/2004	Perella et al.	D99/28
6,776,463	B2	8/2004	Simon	

1 Claim, 5 Drawing Sheets



US D560,875 S

Page 2

U.S. PATENT DOCUMENTS

D498,049 S	11/2004	Perella	D511,035 S	10/2005	Perella
D499,883 S	12/2004	Perella	D515,809 S	2/2006	Perella
D500,922 S	1/2005	Perella	D516,316 S	3/2006	Perella
D501,995 S	2/2005	Perella	D518,675 S	4/2006	Perella
D503,024 S	3/2005	Perella	D521,730 S *	5/2006	Lang D3/273
D503,503 S *	3/2005	Perella et al. D99/28	D522,746 S *	6/2006	Perella et al. D3/276
D504,039 S	4/2005	Perella	7,059,469 B2	6/2006	Simon
D505,042 S	5/2005	Perella	D528,795 S	9/2006	Perella
D509,357 S	9/2005	Perella	D529,287 S	10/2006	Perella
D510,491 S	10/2005	Perella	2004/0016670 A1	1/2004	Lewand
			2006/0137949 A1	6/2006	Levinson

* cited by examiner

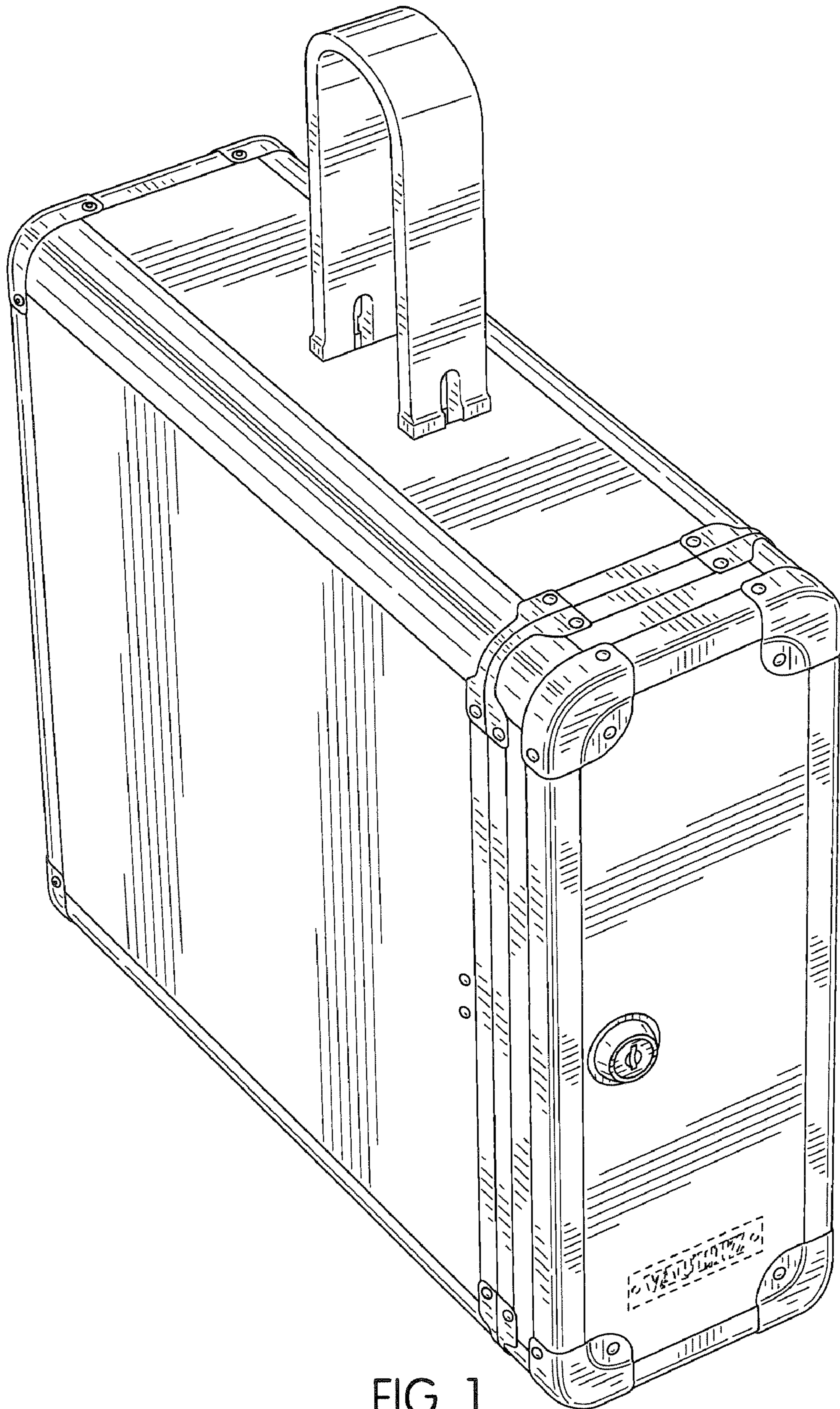


FIG. 1

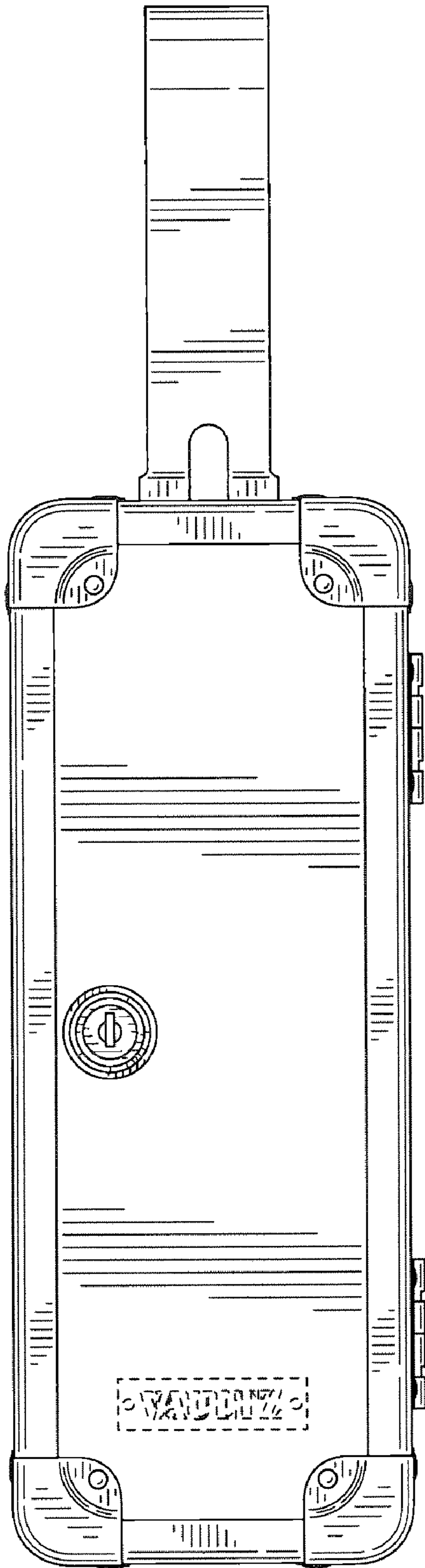


FIG. 2

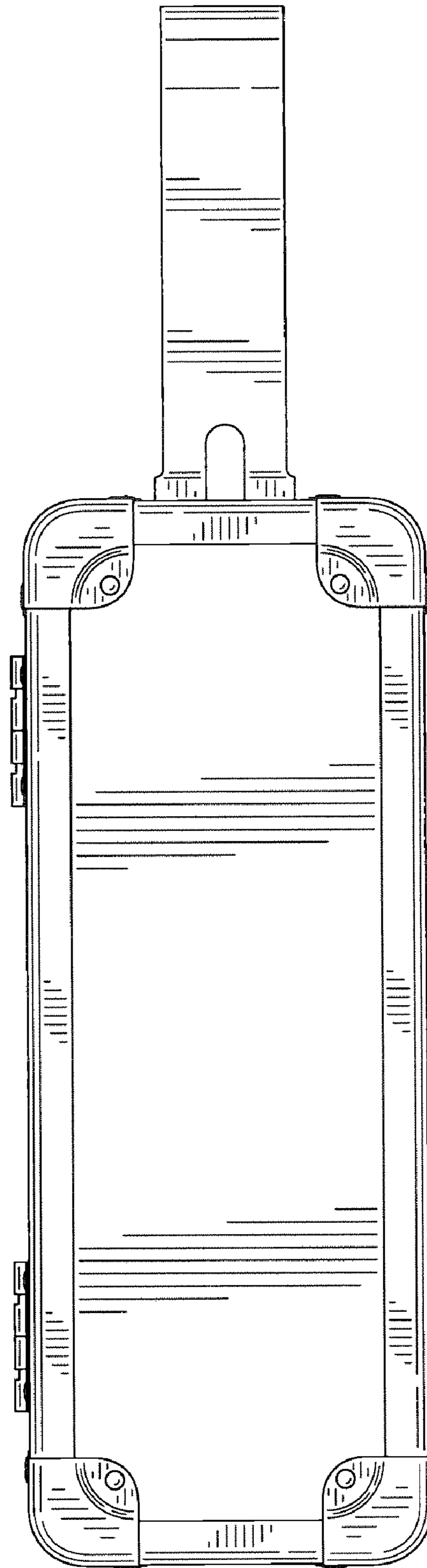


FIG. 3

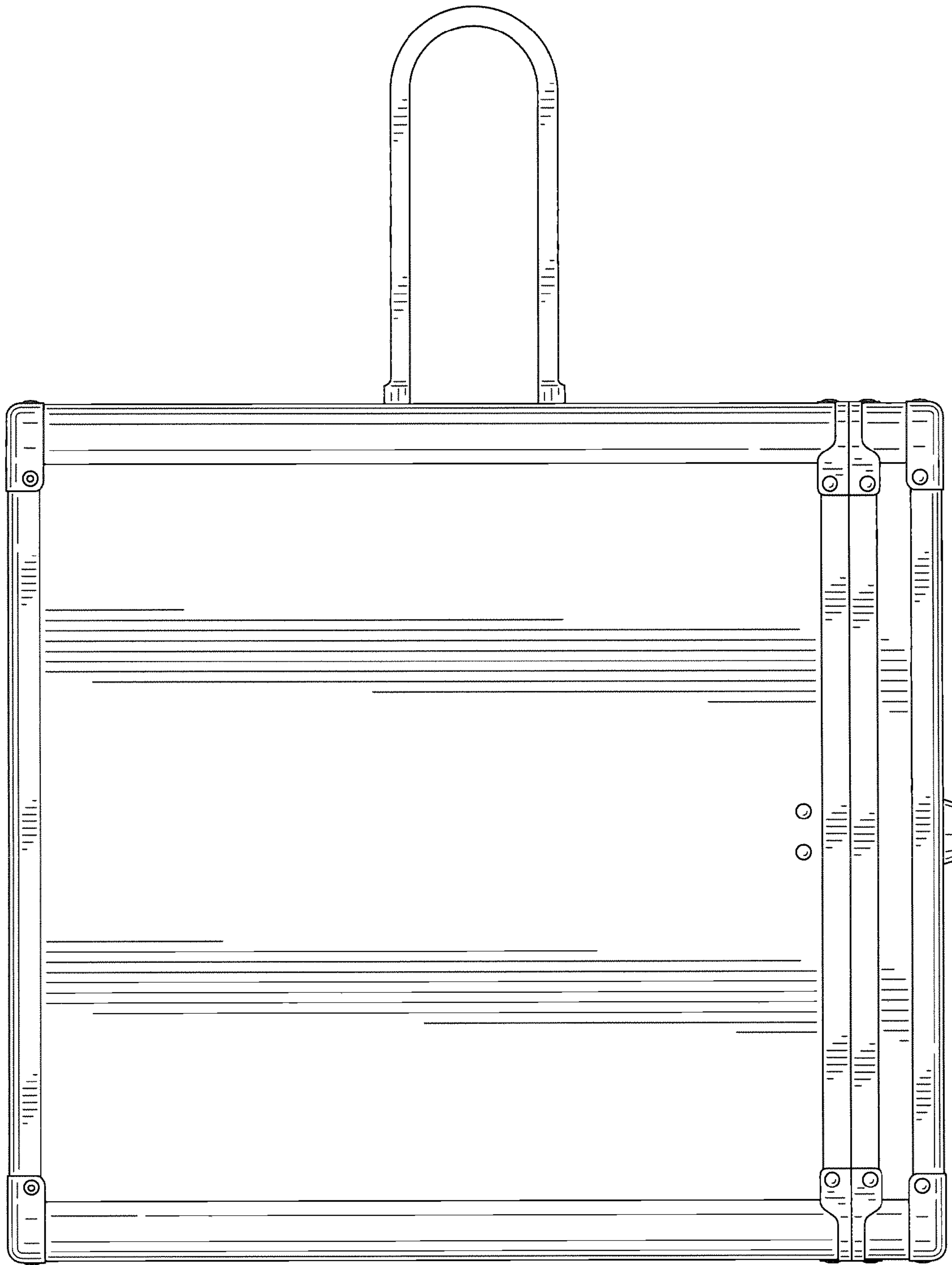


FIG. 4

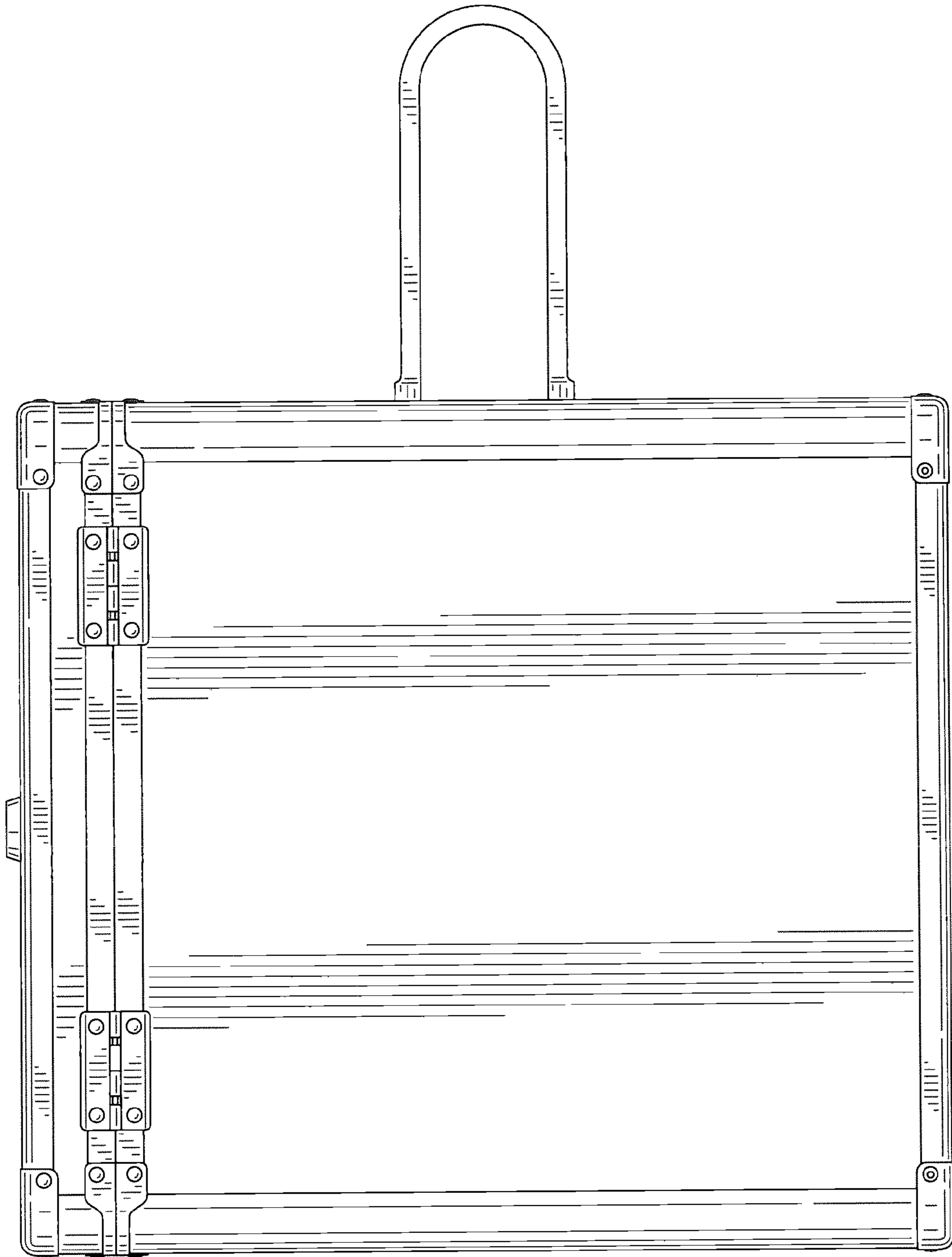


FIG. 5

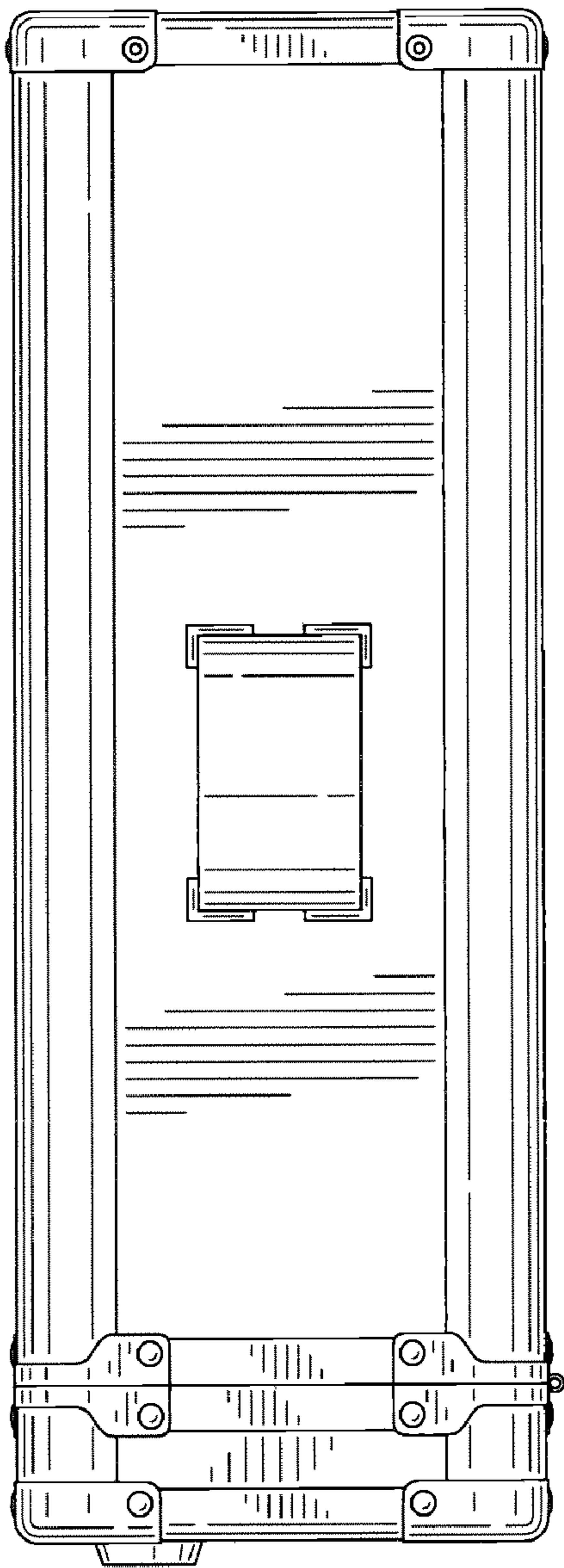


FIG. 6

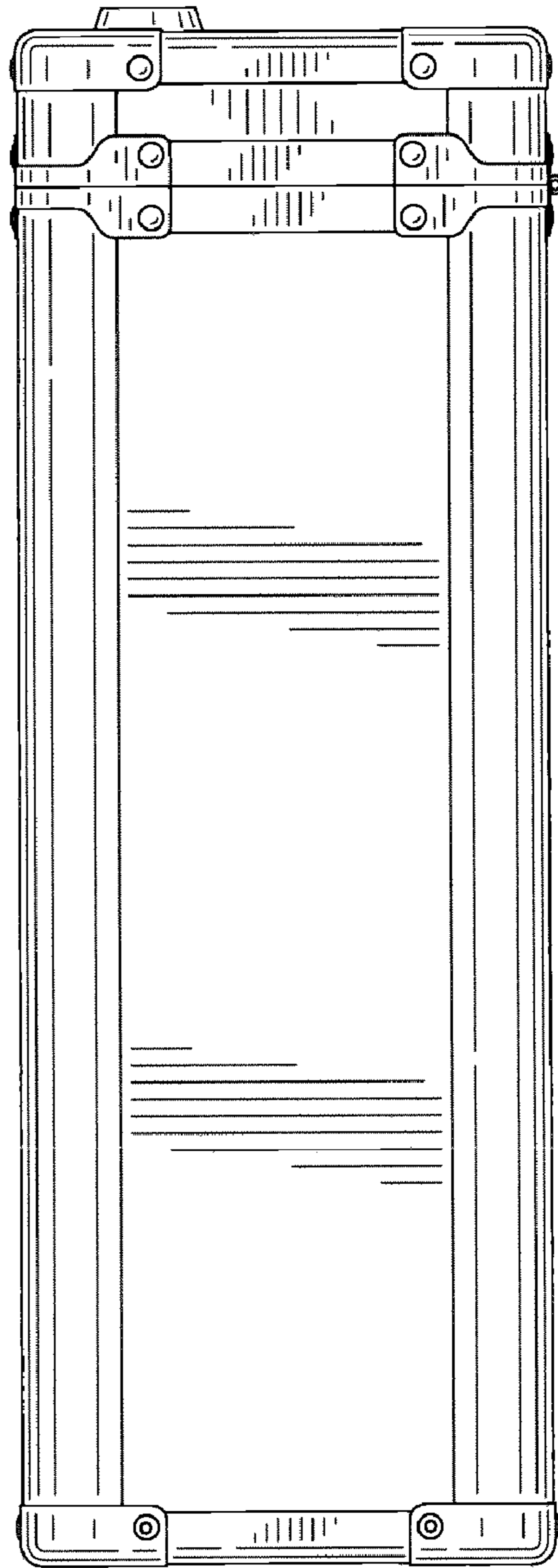


FIG. 7

UNITED STATES PATENT AND TRADEMARK OFFICE
CERTIFICATE OF CORRECTION

PATENT NO. : Des. 560,875 S
APPLICATION NO. : 29/278835
DATED : January 29, 2008
INVENTOR(S) : Anthony J. Decarlo

Page 1 of 1

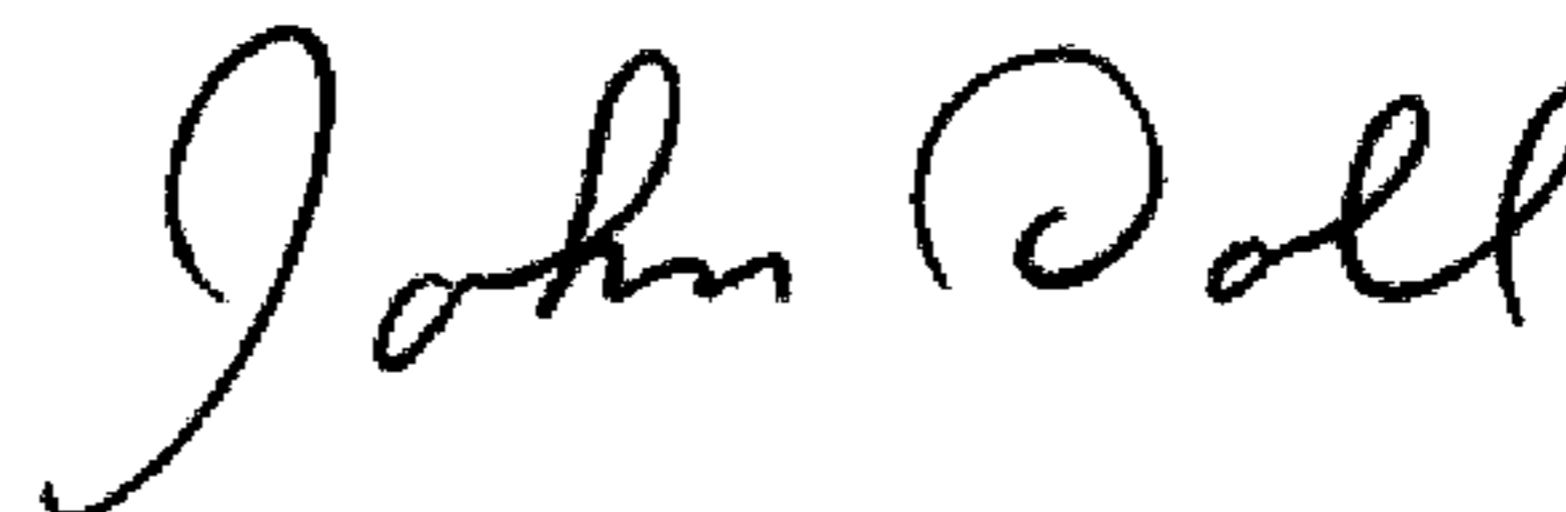
It is certified that error appears in the above-identified patent and that said Letters Patent is hereby corrected as shown below:

Title Page:

Section [75], Should read; Anthony J. Decarlo, Kirtland, OH (US)
Daniel V. Perella, Hudson, OH (US)
Vincent J. Thomson, Avon Lake, OH (US); and
Curtis Patrick Taylor, Chagrin Falls, OH (US)

Signed and Sealed this

Twenty-first Day of July, 2009



JOHN DOLL
Acting Director of the United States Patent and Trademark Office