

US00D560870S

(12) **United States Design Patent**  
**Shipman**

(10) **Patent No.:** **US D560,870 S**  
(45) **Date of Patent:** **\*\* Jan. 29, 2008**

(54) **PORTABLE RACK FOR AUTOMOBILE  
HARD TOP**

(76) Inventor: **Phillip A. Shipman**, 18032-C Lemon  
Dr., PMB 358, Yorba Linda, CA (US)  
92886

(\*\*) Term: **14 Years**

(21) Appl. No.: **29/227,141**

(22) Filed: **Apr. 6, 2005**

(51) **LOC (8) Cl.** ..... **12-02**

(52) **U.S. Cl.** ..... **D34/17**

(58) **Field of Classification Search** ..... D34/12-27;  
280/638, 35, 651, 47.35, 79.7

See application file for complete search history.

(56) **References Cited**

**U.S. PATENT DOCUMENTS**

3,104,890	A *	9/1963	Hill	.....	280/659
4,326,726	A	4/1982	Dunchock		
D288,739	S	3/1987	Johnson, Jr.		
4,830,386	A	5/1989	Snoke		
4,867,465	A	9/1989	Dunchock		
5,221,066	A	6/1993	Ferrigan		
5,228,716	A *	7/1993	Dahl	.....	280/651
5,445,279	A	8/1995	Warner		

5,558,388	A	9/1996	Furst		
5,871,219	A *	2/1999	Elliott	.....	280/79.3
6,036,219	A *	3/2000	Oefelein et al.	.....	280/638
D439,719	S *	3/2001	Kleinschmidt	.....	D34/17
6,729,632	B2	5/2004	Ferrigan		
6,749,207	B2 *	6/2004	Nadeau	.....	280/47.35
6,786,494	B2	9/2004	Garbiso		

\* cited by examiner

*Primary Examiner*—Cynthia E. Ramirez

(74) *Attorney, Agent, or Firm*—Dennis W. Beech

(57) **CLAIM**

The ornamental design for a portable rack for automobile hard top, as shown and described.

**DESCRIPTION**

FIG. 1 is a front perspective elevation view of the portable rack for automobile hard top showing my new design;

FIG. 2 is a rear perspective elevation view of the invention thereof;

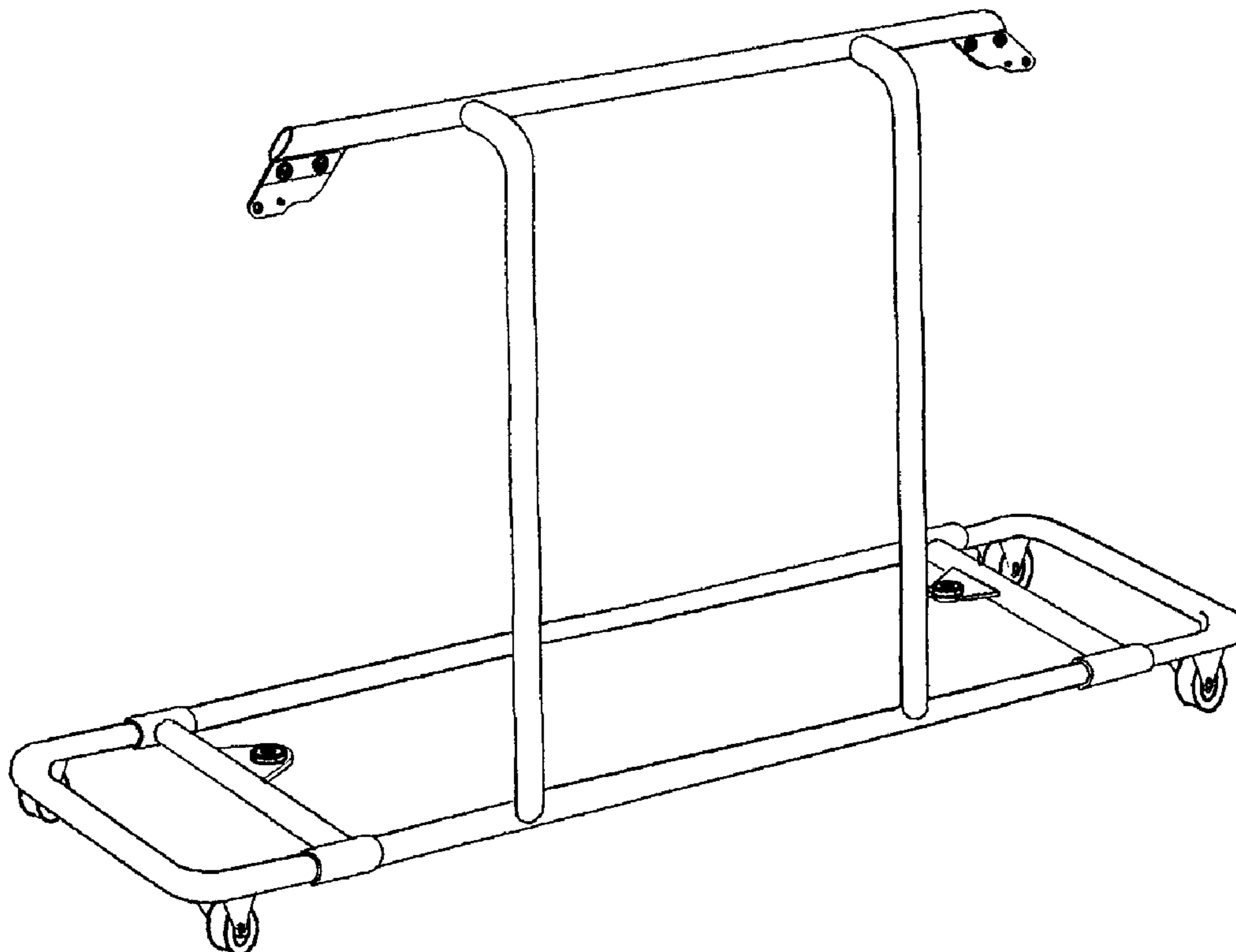
FIG. 3 is a side elevation view thereof;

FIG. 4 is a side elevation view thereof;

FIG. 5 is a top view thereof; and,

FIG. 6 is a bottom view thereof.

**1 Claim, 2 Drawing Sheets**



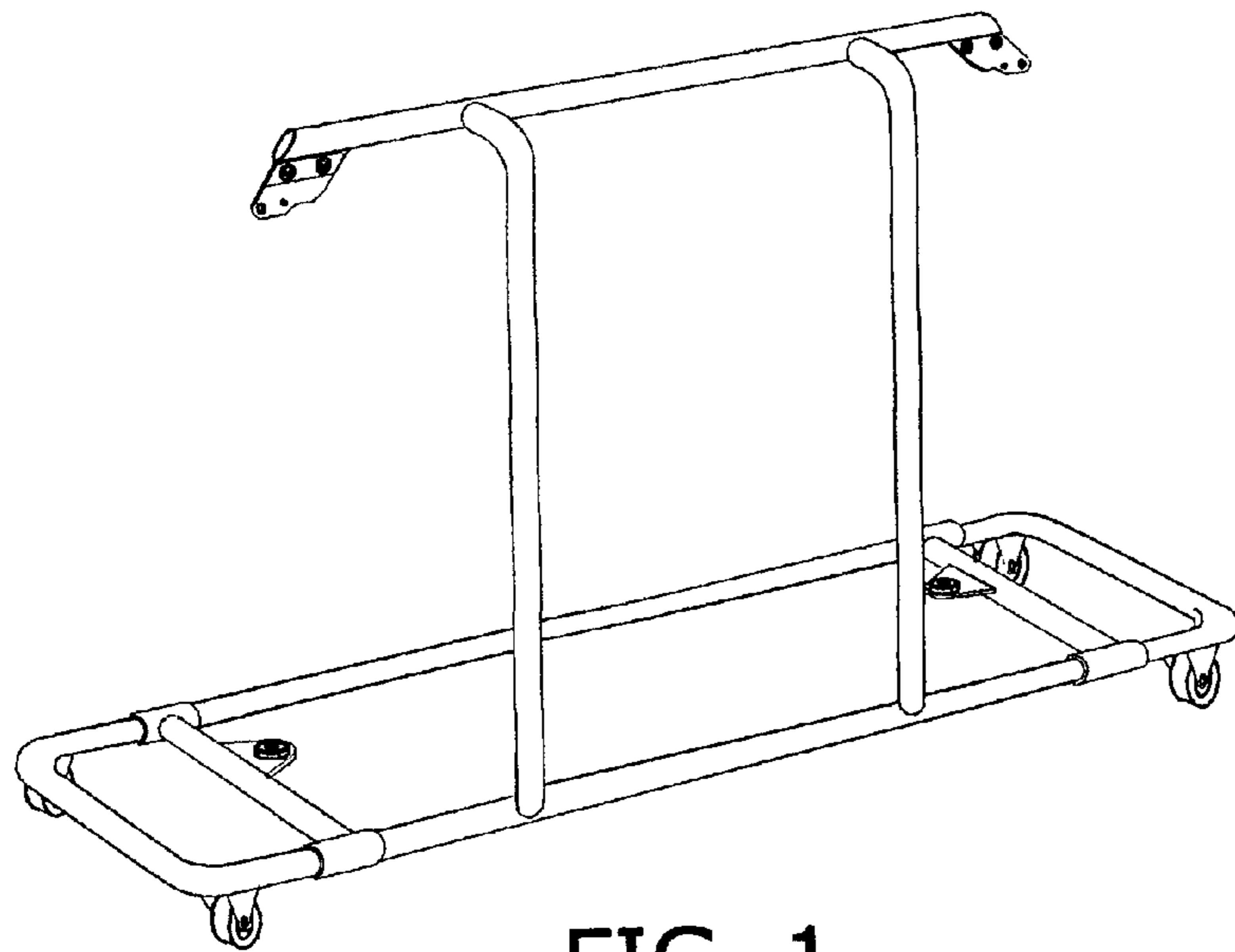


FIG. 1

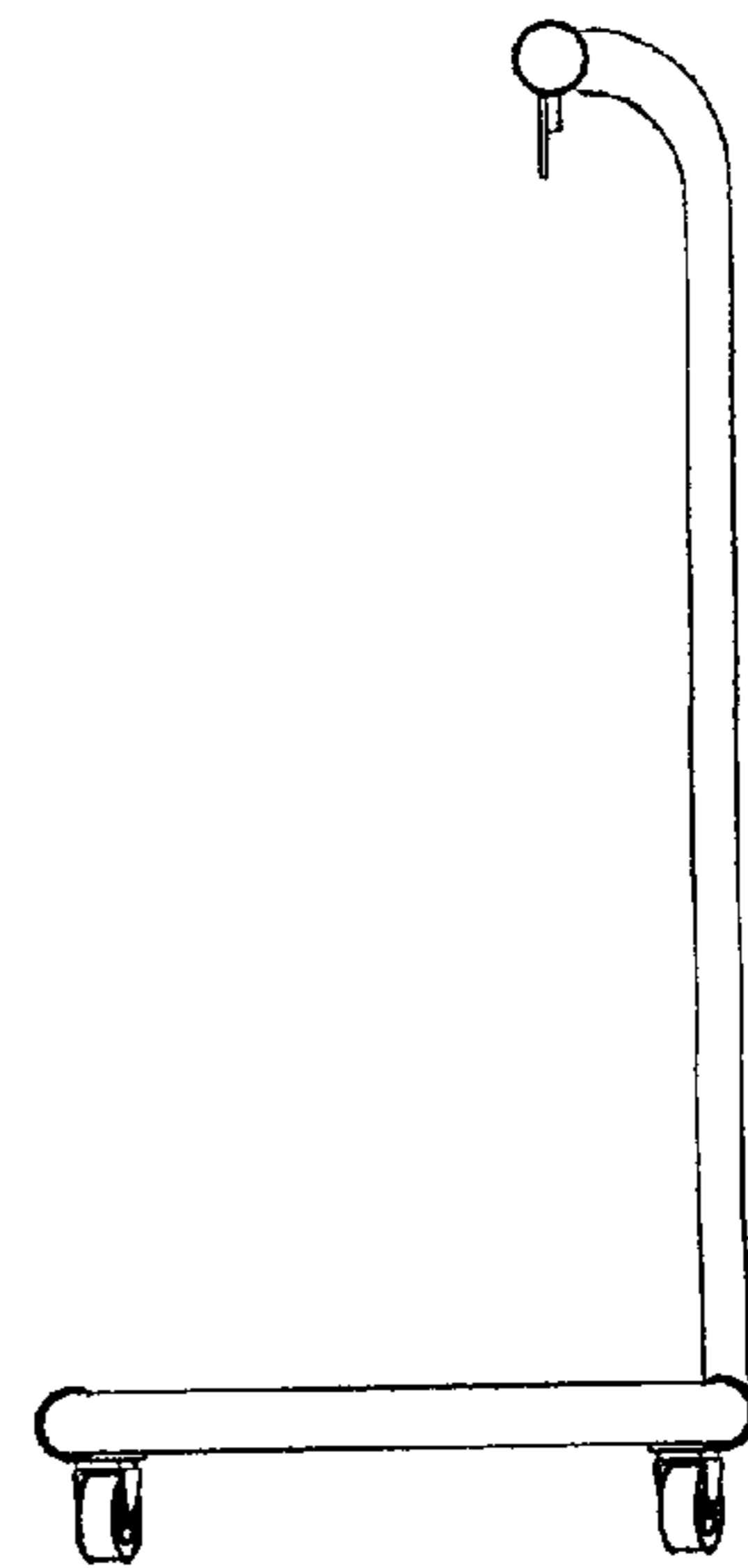


FIG. 3

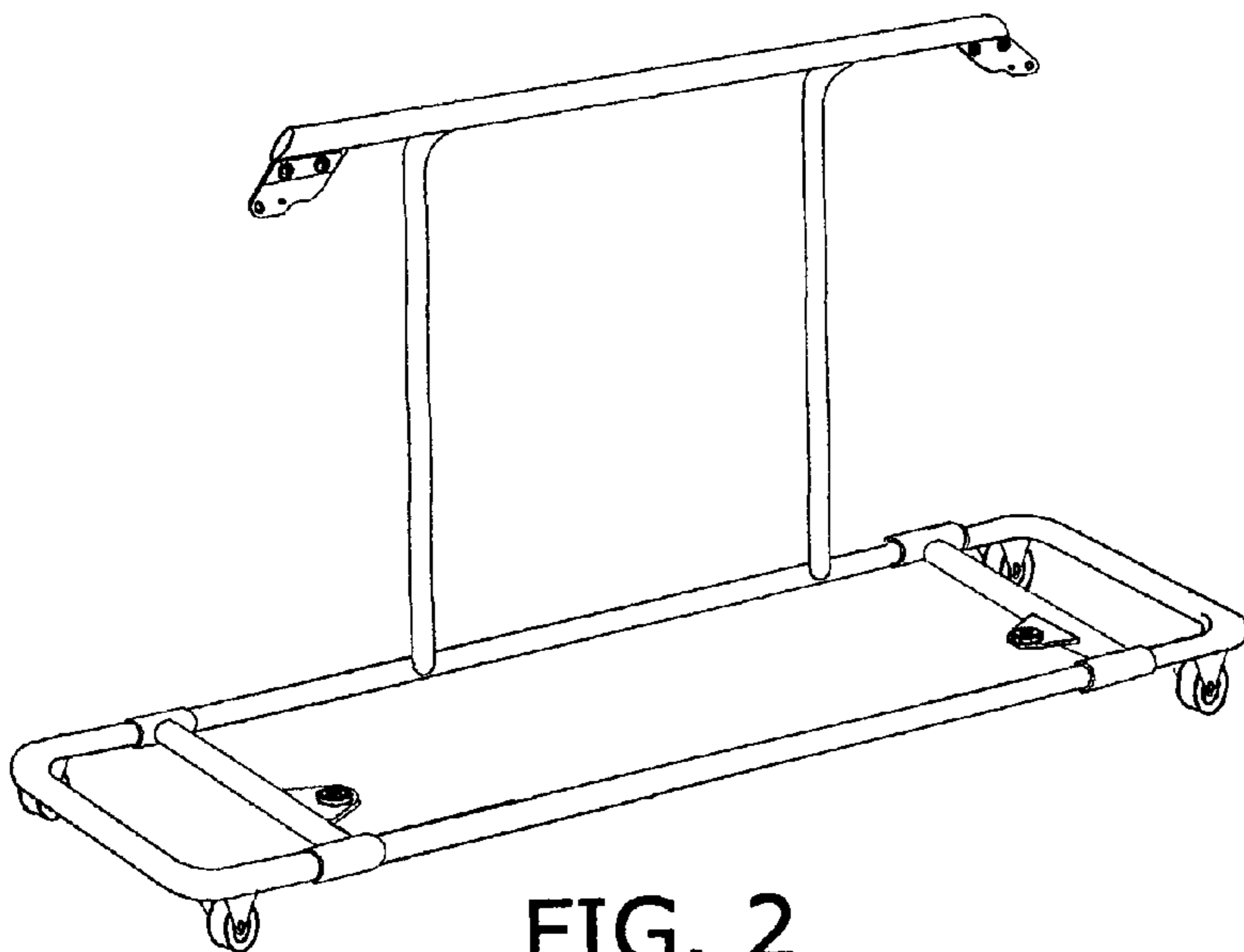


FIG. 2

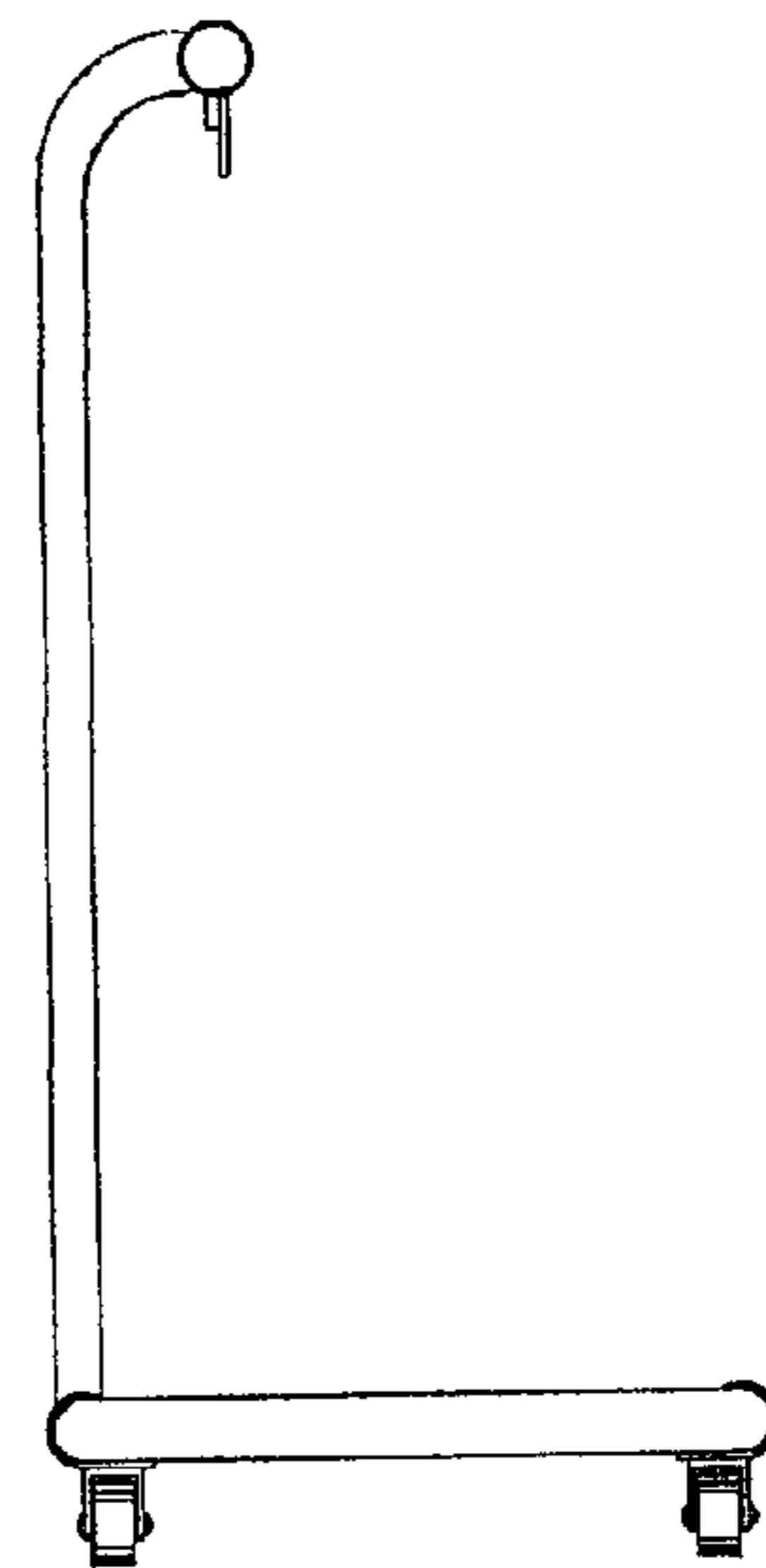


FIG. 4

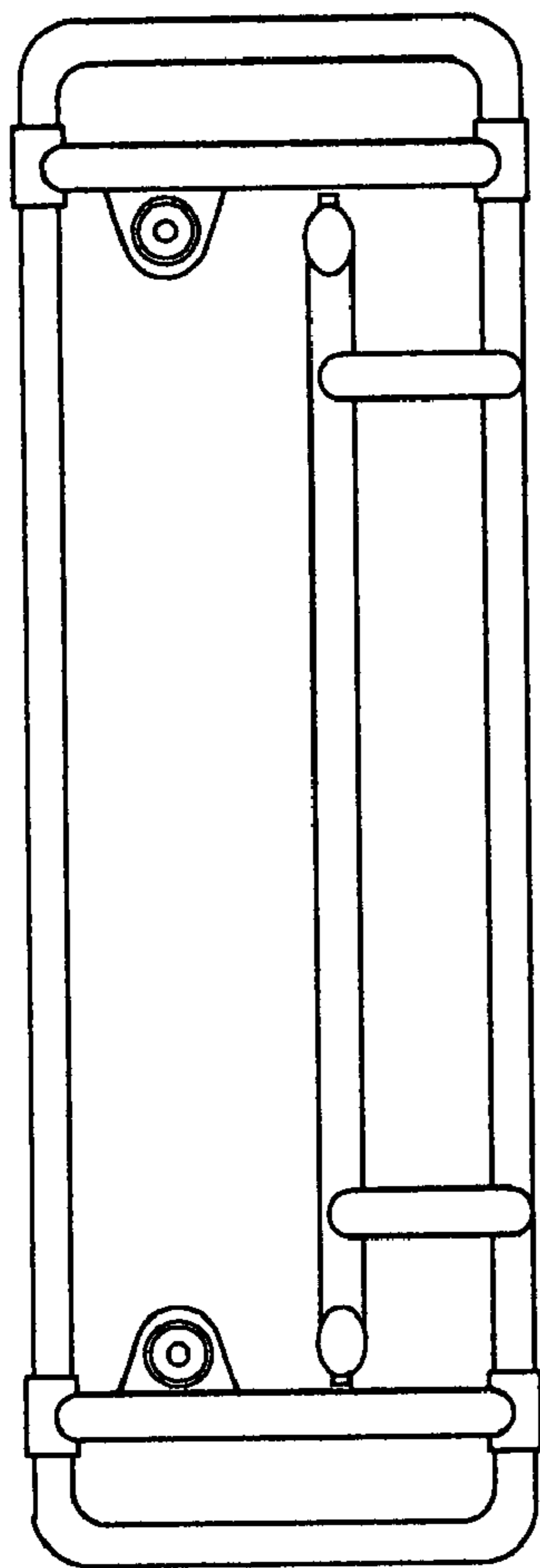


FIG. 5

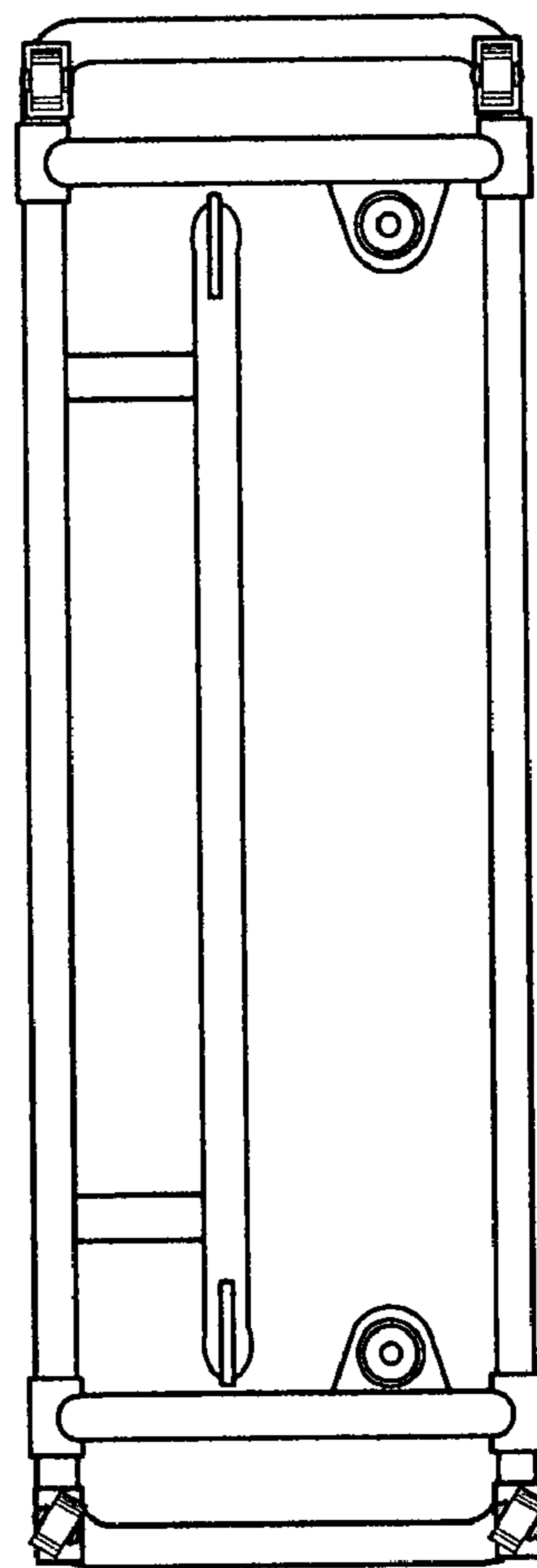


FIG. 6